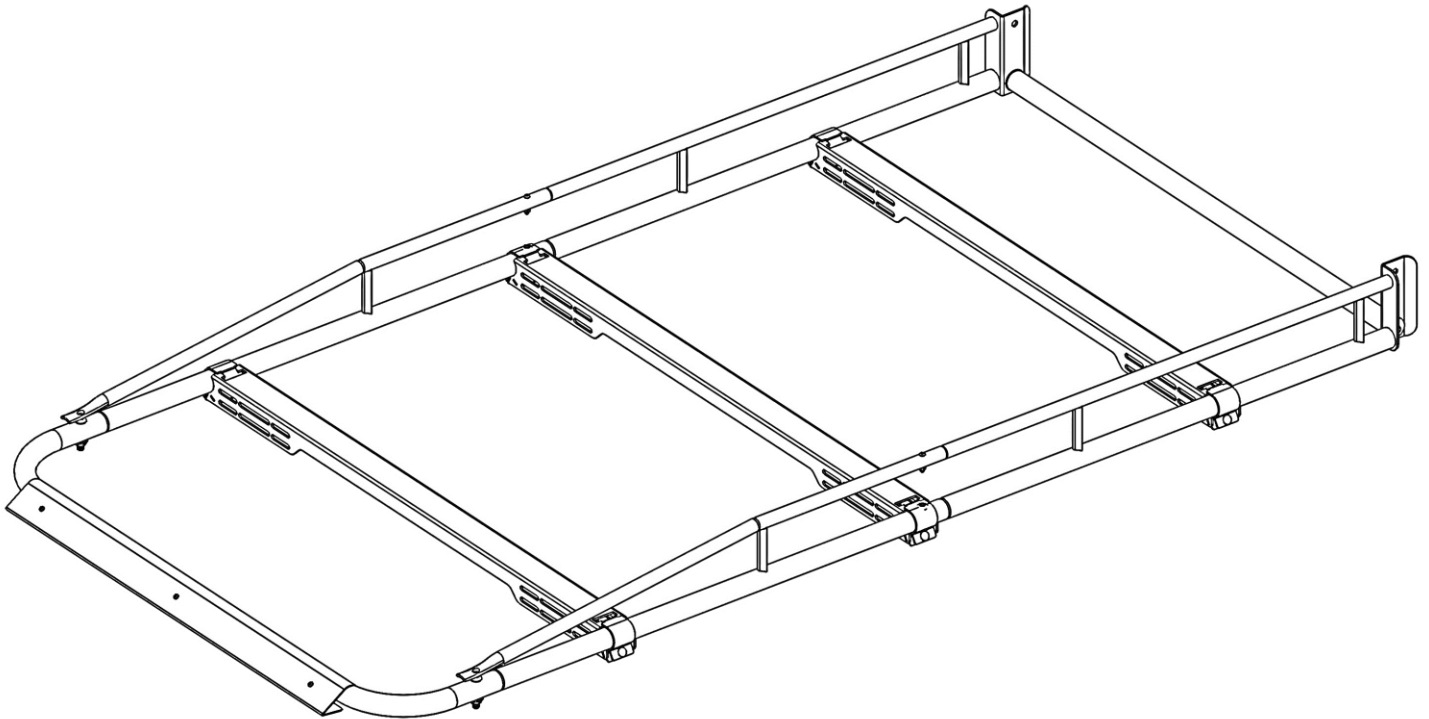


Holman

Instruction Guide 80100



Holman
Rancho Cordova, CA 95742
800-343-7486
InstallationSupport@Holman.com

*** PLEASE READ ALL INSTRUCTIONS AND WARNINGS PRIOR TO ASSEMBLING, INSTALLING, AND USING THIS PRODUCT. ***

Warning



DO NOT EXCEED MANUFACTURERS WEIGHT CAPACITY FOR ROOF.

Tools Needed

7/16", 1/2", 3/4" Sockets and Wrench	7/16", 1/2", 3/4" Box Wrenches
#2 Philips Screwdriver	5/32", 5/16" Allen Hex Wrenches

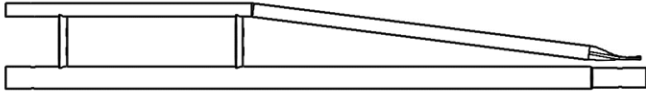
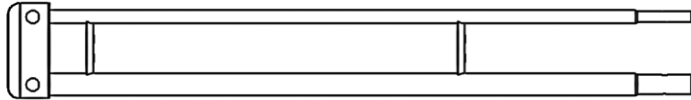
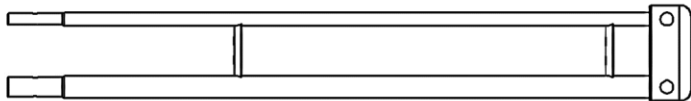
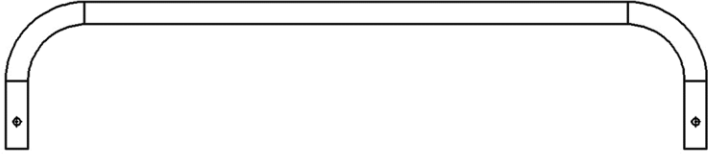
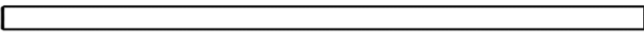
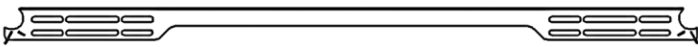



Table of Contents

Parts	2
Hardware (18-80100)	3
Hardware (18-8000S-RB)	4
Step 1 – Assemble Side Channels	5
Step 2 – Attach Wind Deflector to Front Crossbar	5
Step 3 – Install Crossbars To Feet	6
Step 4 – Attach Side Channels to Crossbars.....	7
Step 5 – Attach Front Crossbar	8
Step 6 – Attach Roller Bar to Roller Bar Brackets	8

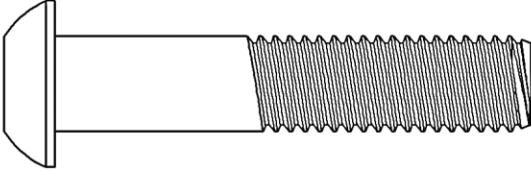
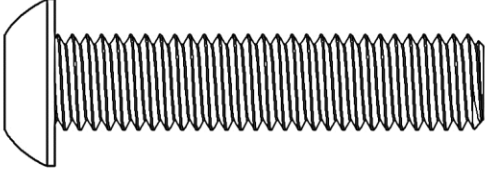
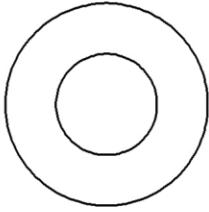



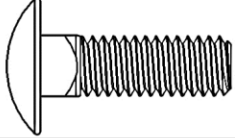


Before You Begin

- Read all instructions prior to assembling or installing any product.
- **Always locate your installation locations prior to performing any work.**
- **Be sure to put sealant around all threads entering cargo area and between the rubber spacer and roof of vehicle to prevent water from leaking into cargo area.**
- **HAVE THE MOUNTING KIT INSTALLED TO VEHICLE PRIOR TO INSTALLING THIS RACK.**

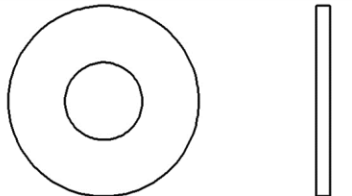
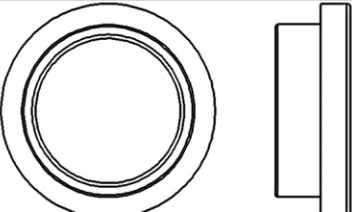
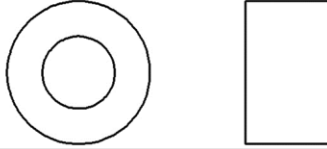
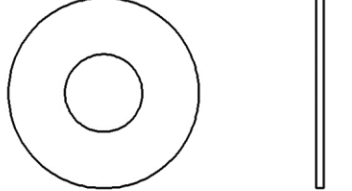
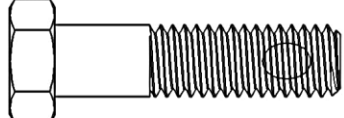
Parts

NO.	ITEM	PART NUMBER	DESCRIPTION	QTY.
1		8000S-01	FRONT SIDE CHANNEL	2
2		8000S-22	REAR RIGHT SIDE CHANNEL	1
3		8000S-21	REAR LEFT SIDE CHANNEL	1
4		8000S-005	50" FRONT TUBE	1
5		8000S-05	50" ROLLER BAR	1
6		8000S-06	50" CROSSBAR WELDMENT	3
7		8000A-010	SIDE CHANNEL CLAMP	6
8		8000S-016	WIND DEFLECTOR	1
9		8000S-017	WIND DEFLECTOR CLAMP	3
10		18-80100	ASSEMBLY BOLT KIT	1
11		18-8000S-RB	ROLLER BAR BOLT KIT	1

Hardware (18-80100)

ITEM	HARDWARE TO SCALE	PART NUMBER	DESCRIPTION	QTY.
1			1/2"-13 X 2-1/2" BUTTON HEAD CAP SCREW	2
2		24114	1/2"-13 X 2-1/4" BUTTON HEAD	2
3		11541086	1/2" WASHER	4
4		37695	1/2"-13 THIN LOCKING JAM NUT	4
5		92949A546	1/4"-20 X 1 1/2 BUTTON HEAD	2
6		0167030	1/4"-20 FLANGED LOCK NUT	2
7		21811	5/16-18 X 1" CARRIAGE BOLT	6
8		11104019	5/16-18 FLANGED NYLOCK NUT	6
9		0149489	10-32 X 3/4" PAN HEAD SCREW	3

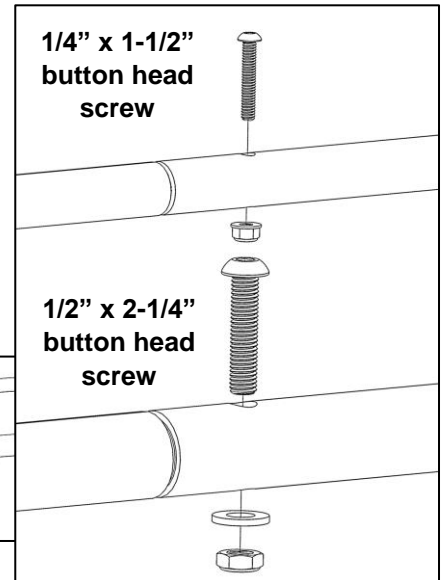
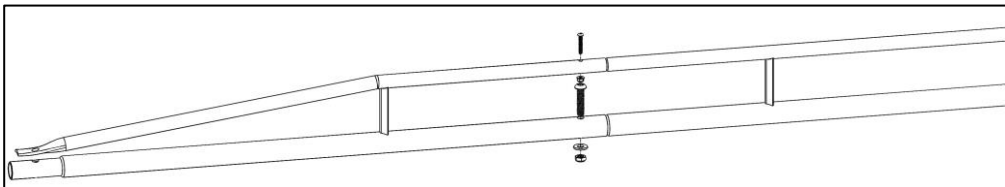
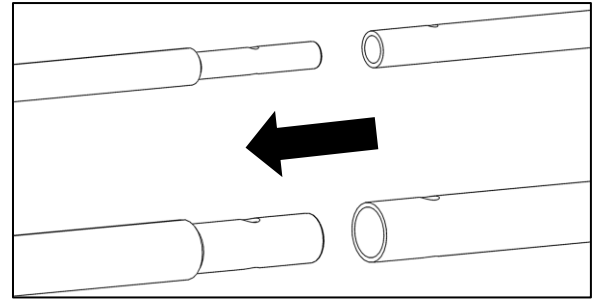
Hardware (18-8000S-RB)

ITEM	HARDWARE TO SCALE	PART NUMBER	DESCRIPTION	QTY.
1			.95"ID X 1.5"OD NYLON WASHER	2
2			BUSHING, FLANGED, 3/4" ID	2
3		-	BUSHING, 3/8" ID, 3/4" OD, 11.7mm LG, NYLON	2
4		78018	3/8" X 1"OD OVERSIZE WASHER	2
5		91412A470	3/8"-16 X 1-1/2" THREAD LOCKING HEX HEAD BOLT	2

DO NOT EXCEED MANUFACTURERS WEIGHT CAPACITY FOR ROOF.

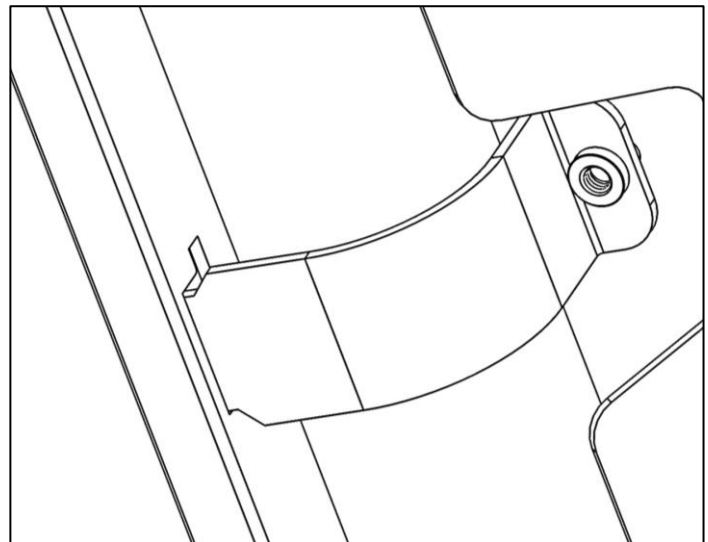
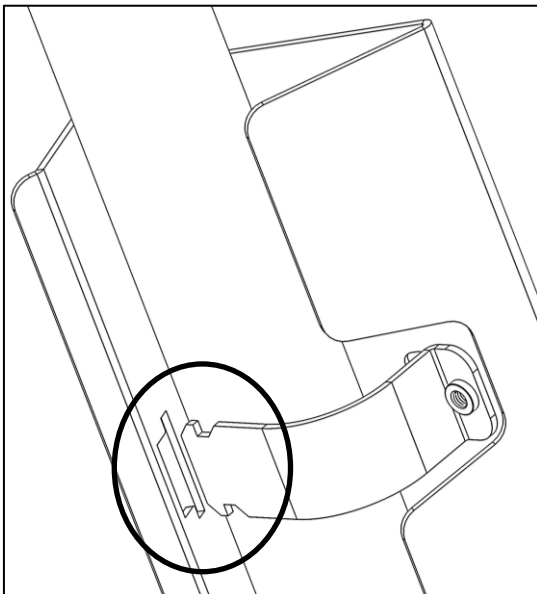
Step 1 – Assemble Side Channels

- Push ends of front side channel onto swaged ends of center side channel.
- Using a 1/4" x 1-1/2" button head screw and 1/4" flanged lock nut, bolt through UPPER side channel tubes.
- Using a 1/2" x 2-1/4" button head screw, 1/2" flat washer, and 1/2" locking jam nut, bolt through LOWER side channel tubes.
- Repeat for opposite side channel.
- Tighten the bolts going through top and bottom side-channel tubes.



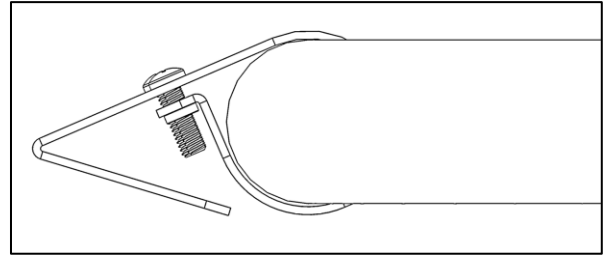
Step 2 – Attach Wind Deflector to Front Crossbar

- Insert wind deflector clamp-retainer into cutout in wind deflector.



- Hold wind deflector in position with angled edge aimed towards front of vehicle.

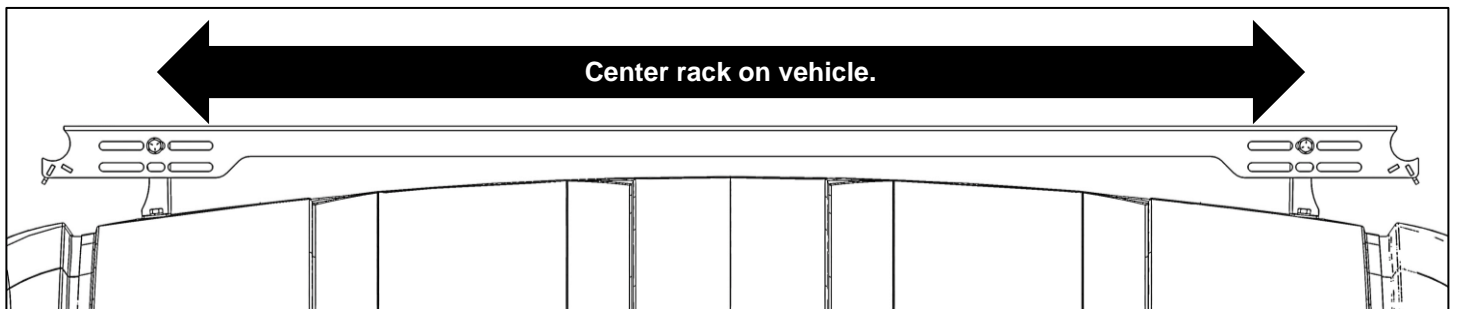
- Fasten a #10 x 3/4" pan head screw through the wind deflector into the press nut in the clamp.
- Repeat for remaining two clamps.
- Tighten.



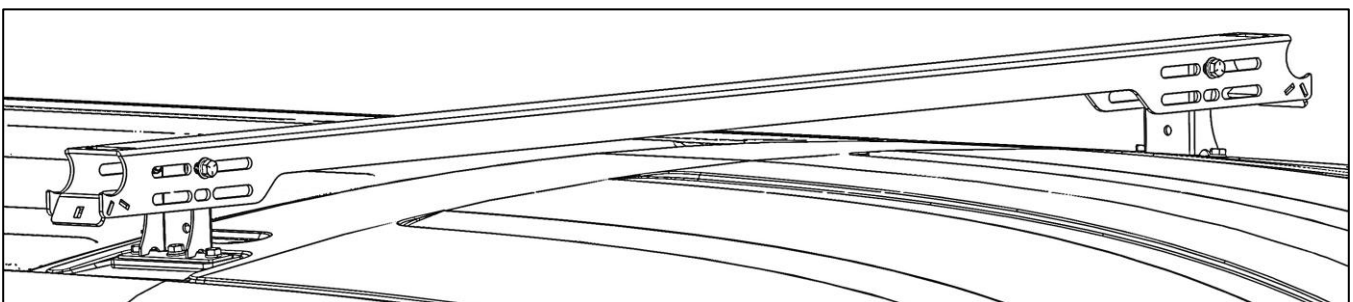
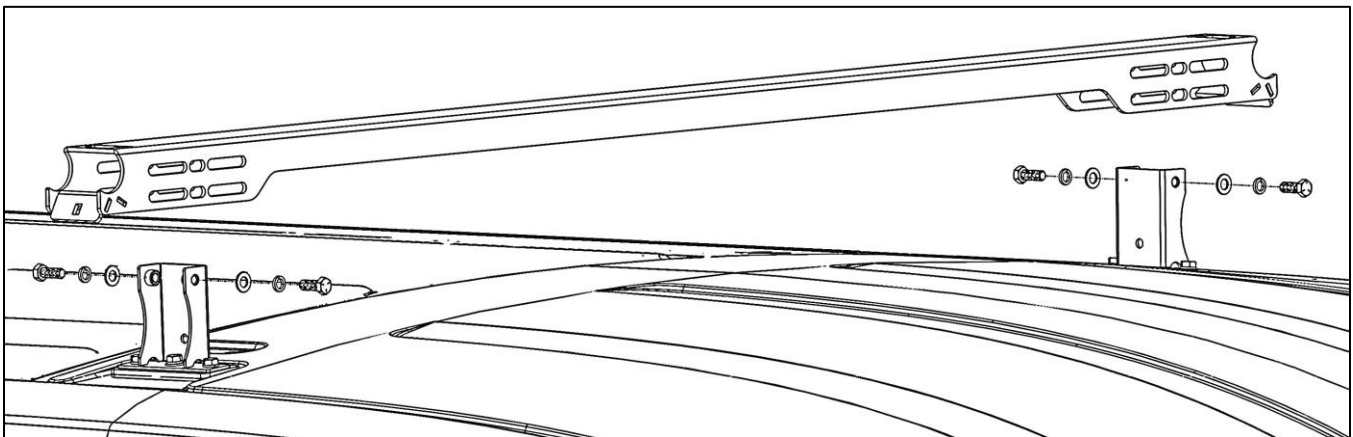
Step 3 – Install Crossbars To Feet

NOTE: Hardware to attach crossbars to feet is included in mounting kit.

- Set crossbar onto feet. Mounting feet may be installed into either upper or lower slots, based upon clearance required for vehicle.
- Center crossbar right-to-left with feet and vehicle.

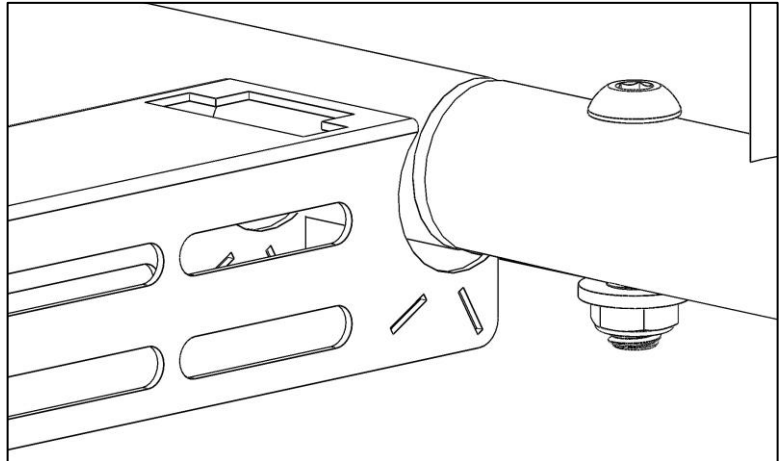


- Using 3/8" x 1" hex head bolts, 3/8" lock nuts, and 3/8" flat washers provided with mounting kit, bolt crossbar to feet.
- Tighten but allow movement.
- Repeat for all remaining crossbars.

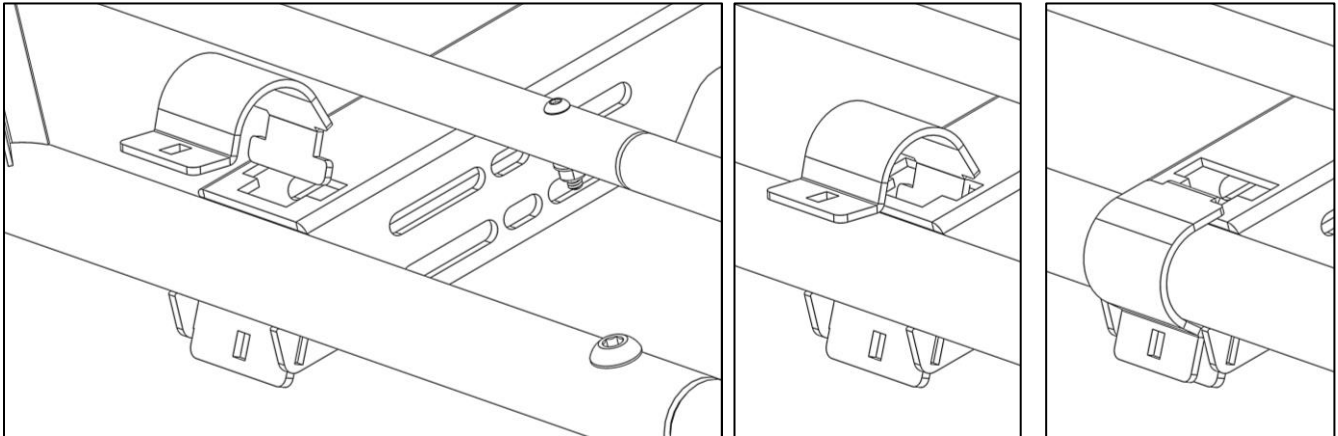


Step 4 – Attach Side Channels to Crossbars

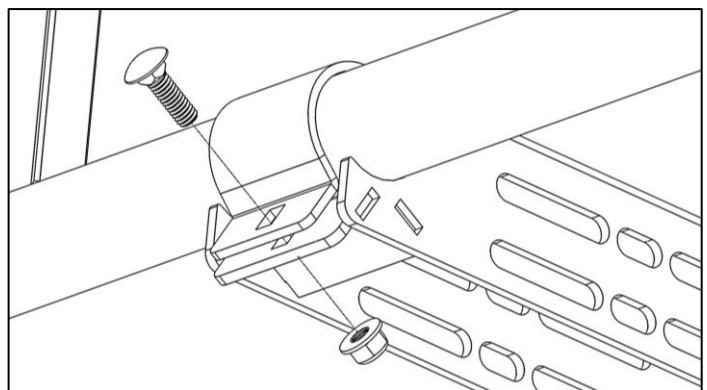
- Set side channel into round cutout in crossbars in desired position.



- Insert a side channel clamp into cutout in each crossbar with interior diameter facing upward.

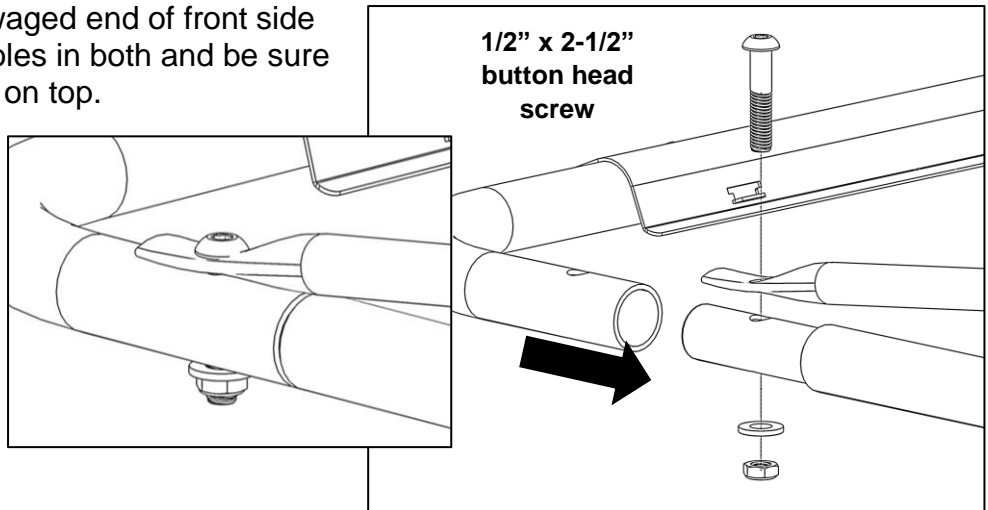


- For each side channel clamp, use a 5/16" x 1" carriage bolt and 5/16" flanged lock nut to bolt side channel clamp to crossbar.
- LOOSELY tighten.



Step 5 – Attach Front Crossbar

- Push front crossbar onto swaged end of front side channel. Be sure to align holes in both and be sure flat face of wind deflector is on top.
- Using a 1/2" x 2-1/2" button head cap screw, 1/2" flat washer, and 1/2" locking jam nut, fasten through front side channel and front crossbar.
- Tighten.
- Repeat for opposite side.

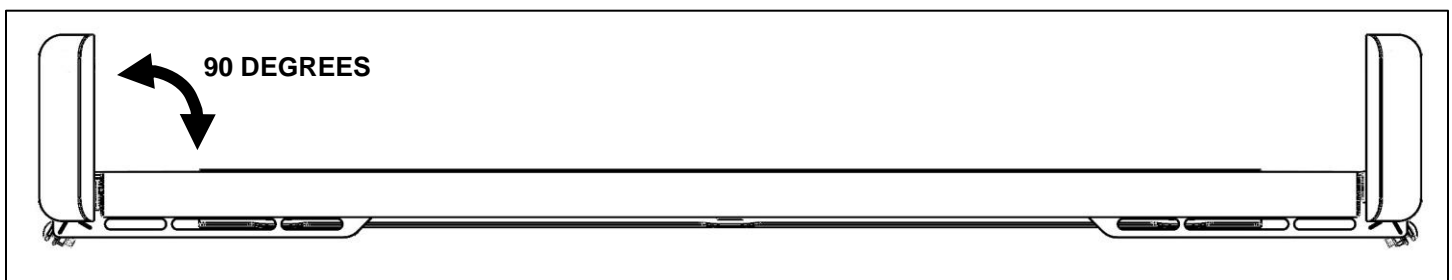
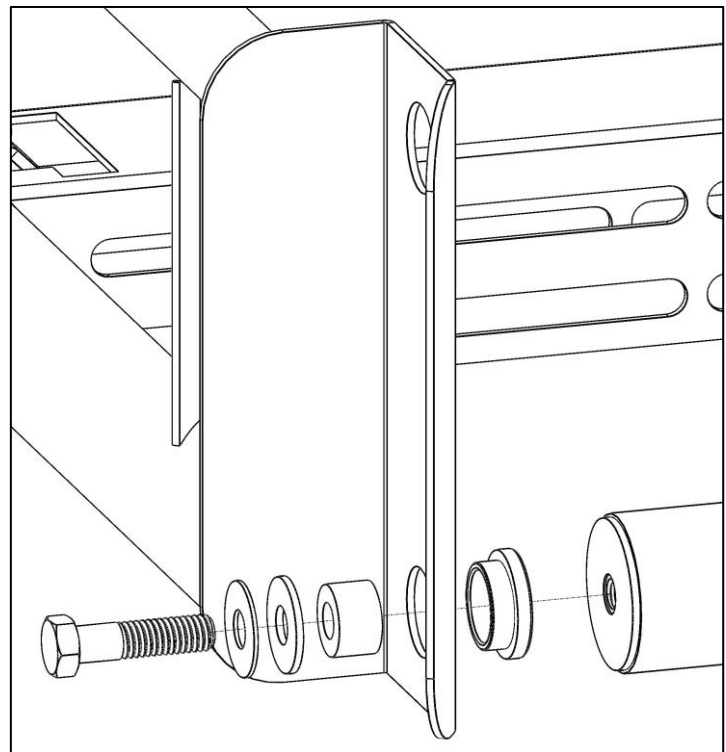


Step 6 – Attach Roller Bar to Roller Bar Brackets

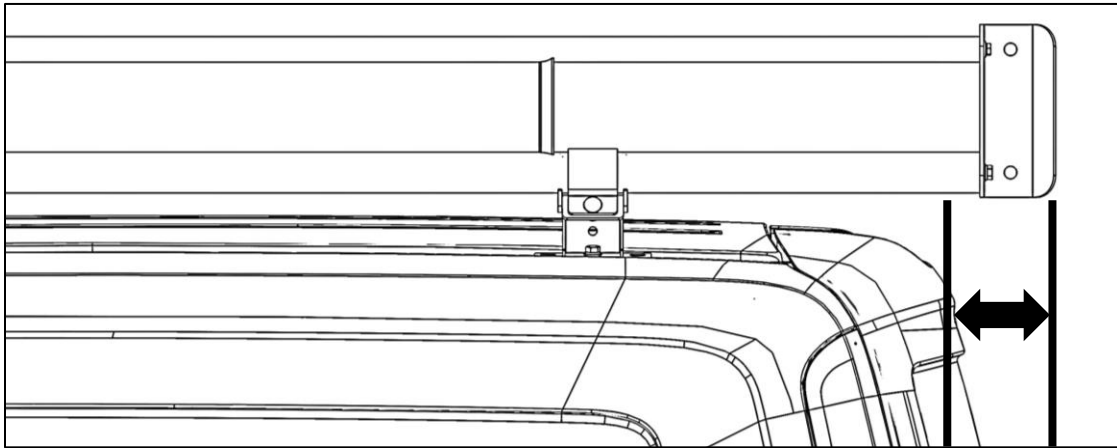
- Using a 3/8" x 1-1/2" hex head bolt, bolt through the following and into the end of the roller bar.
 - a 3/8" oversized steel flat washer,
 - nylon plastic washer,
 - nylon bushing,
 - steel bracket end of rack, and
 - a flanged bushing,

Be sure flanged bushing is inside steel bracket and facing outward, away from center of roller bar.

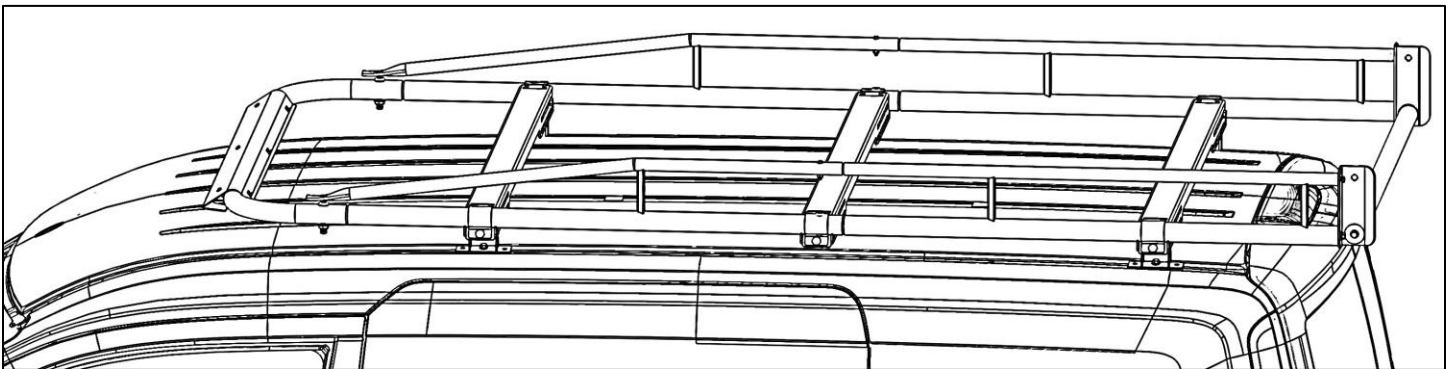
- LOOSELY tighten hardware.
- Repeat for opposite side.
- **Be sure the rear brackets are perpendicular to the roller bar.**



- Be sure the rear roller bar is hanging off the rear of the vehicle enough so that when placing a ladder on the rack, it does not come into contact with the rear of the vehicle.



- Check that the rack is square to the vehicle and mounts.



GO BACK AND TIGHTEN ALL HARDWARE.

INSTALLATION AND ASSEMBLY ARE COMPLETE.