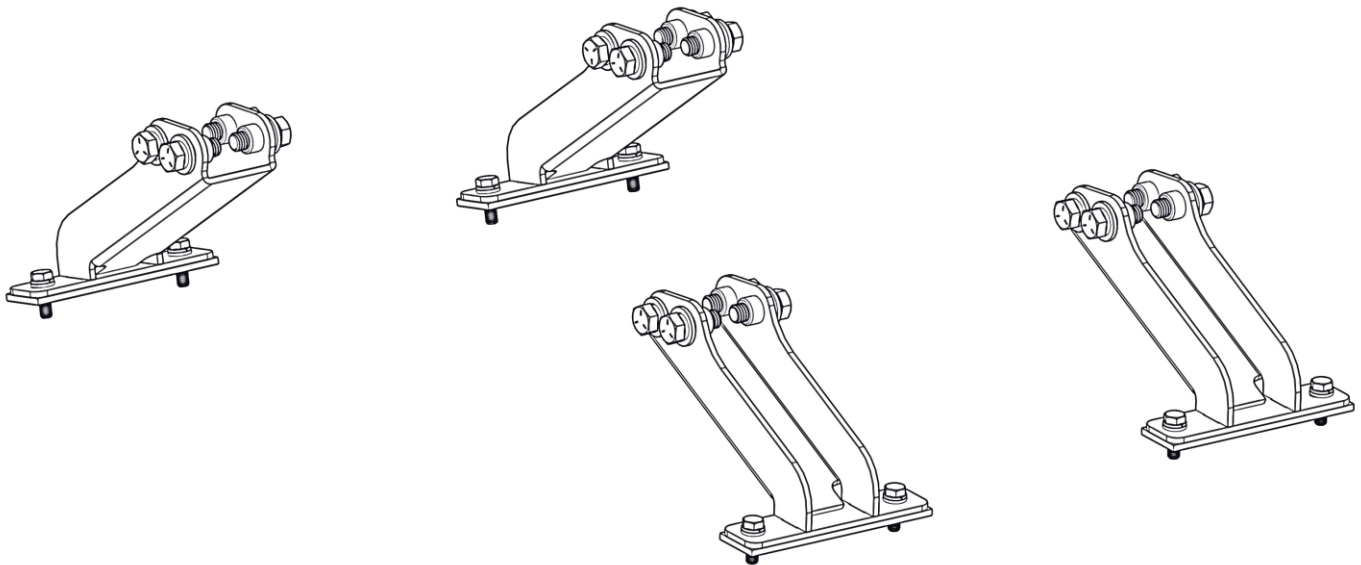




WE PUT EVERYTHING WITHIN REACH.

Instruction Guide

8006M



Kargo Master
Rancho Cordova, CA 95742
800-343-7486
CustomerService@KargoMaster.com

PLEASE READ ALL INSTRUCTIONS AND WARNINGS PRIOR TO ASSEMBLING, INSTALLING, AND USING THIS PRODUCT.

Warning



Always check for wires, fuel tanks and lines, brake lines and other important vehicle functionality items prior to drilling and installing all products.

Tools Needed

10mm Socket and Wrench	9/16" Socket and Wrench
------------------------	-------------------------

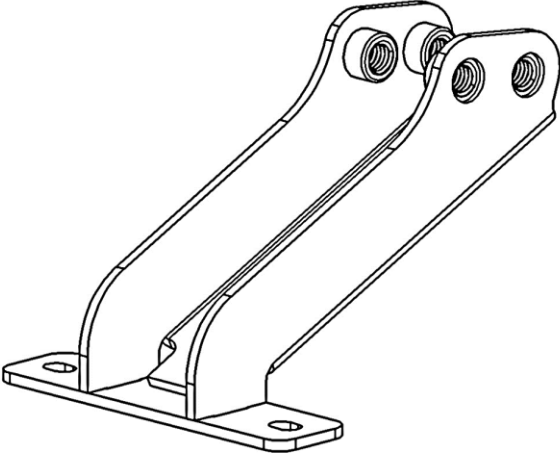
Table of Contents

Parts List 2
Hardware 2
Step 1 – Identify Mounting Locations..... 3
Step 2 – Mount Feet 3
Step 3 – Install Rack 4

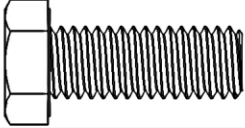
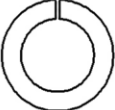
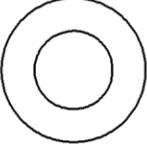
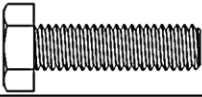
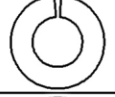


Before You Begin

- Read all instructions prior to assembling or installing any Kargo Master product.
- Install the vehicle roof rail mounting prior to rack assembly.
- Be sure to put sealant around all threads entering cargo area and between the rubber spacer and roof of vehicle to prevent water from leaking into cargo area.
- **DO NOT EXCEED MANUFACTURERS WEIGHT CAPACITY FOR ROOF.**
- **BE SURE TO ADJUST LADDER CLAMPS ACCORDINGLY TO FIRMLY SECURE LADDER TO RACK.**

Parts

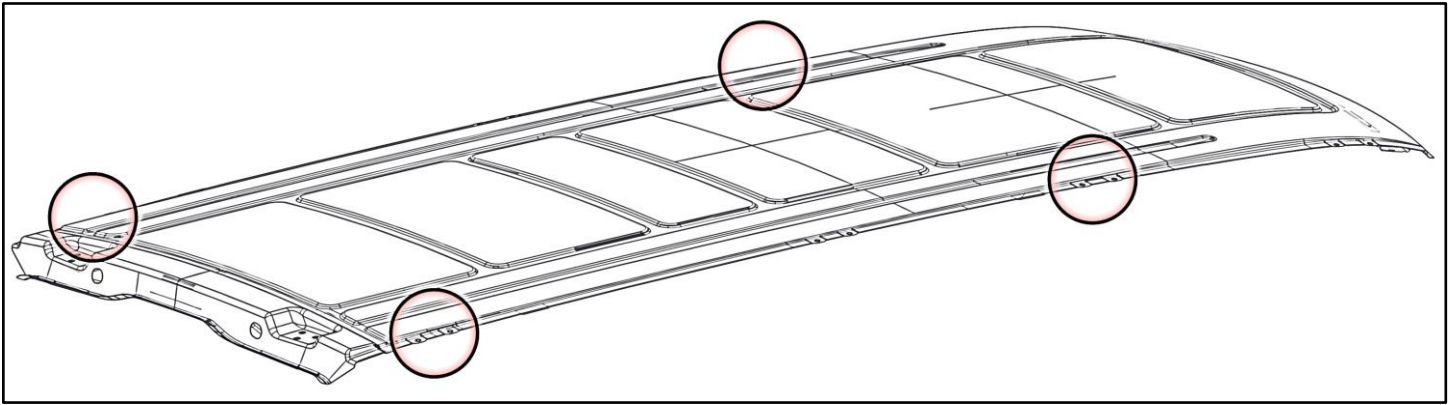
ITEM NO.		PART NO.	DESCRIPTION	QTY.
A		100551	PRO III METRIS FOOT BRACKET	4
		18-8006M	HARDWARE KIT	1

Hardware

ITEM	HARDWARE TO SCALE	PART NUMBER	DESCRIPTION	QTY.
1		70105	3/8-16 X 1" HEX HEAD BOLT	16
2		0123496	3/8" SPLIT LOCK WASHER	16
3		0159723	3/8" WASHER	16
4		38560	M6 X 1.0 X 22MM HEX HEAD BOLT	8
5		33618	1/4" LOCK WASHER	8
6		33078	1/4" FLAT WASHER	8
7			PAD, MOUNTING, PRO III TO METRIS	4
8		BH-821	SELF LEVELING ADHESIVE SEALANT	1

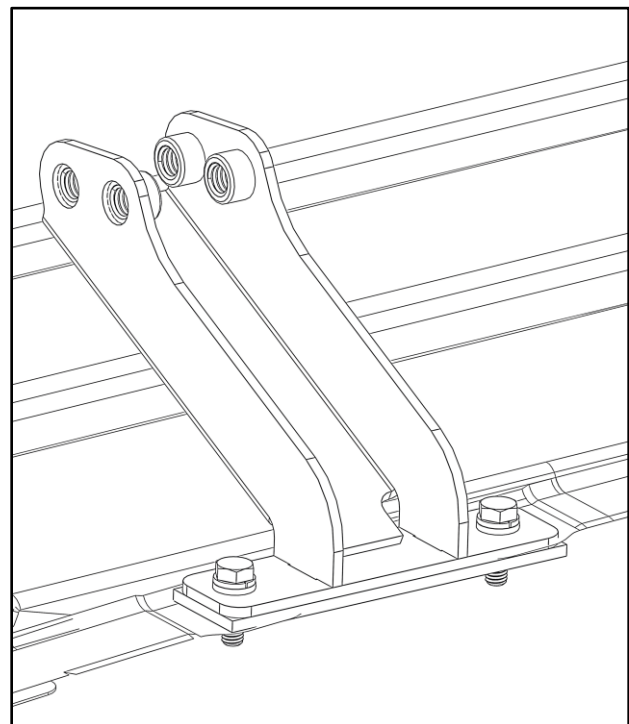
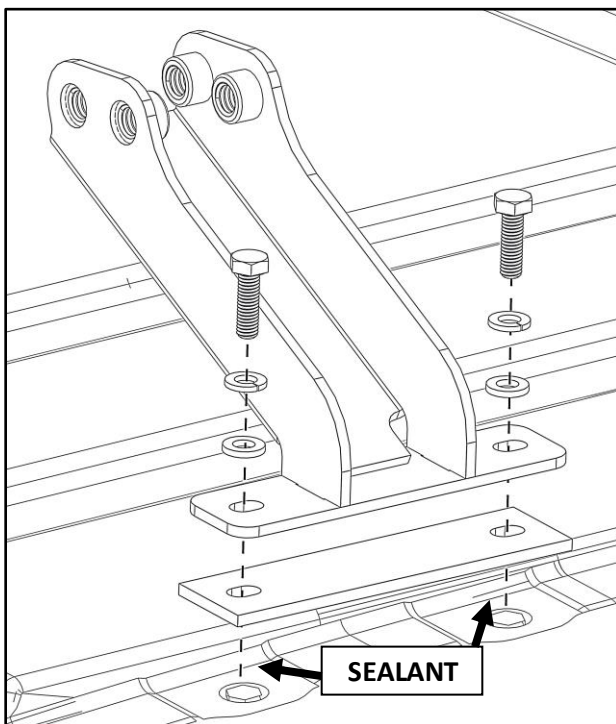
Step 1 – Identify Mounting Locations

- Locate mounting locations on top of the vehicle in the locations shown.
- Remove plugs to expose the threaded embosses.



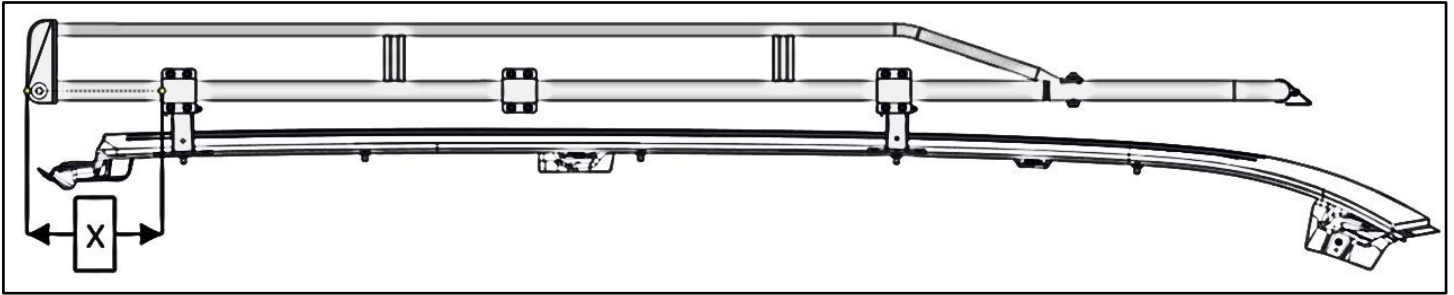
Step 2 – Mount Feet

- Use the sealant from the ladder assembly and apply around the threaded embosses and place rubber pad on top.
- Place the feet over the rubber pads and the exposed embosses on the roof in the orientation shown. The foot should be mounted in the way that the bend is towards the middle of the vehicle.
- Bolt feet to the roof using two M6 x 22mm hex head, two 1/4" lock washers and two 1/4" flat washers.
- Repeat at all four locations.
- Snug tighten, but allow movement.



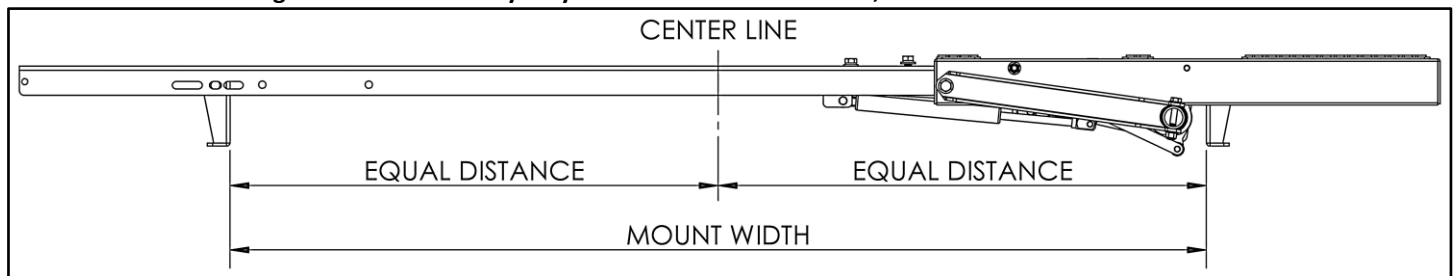
Step 3 – Install Rack

- Place ladder rack on top of the installed feet.
- Ensure the rear of the rack is far enough off the rear of the vehicle that when placing a ladder on the rack, the ladder does not hit the vehicle.

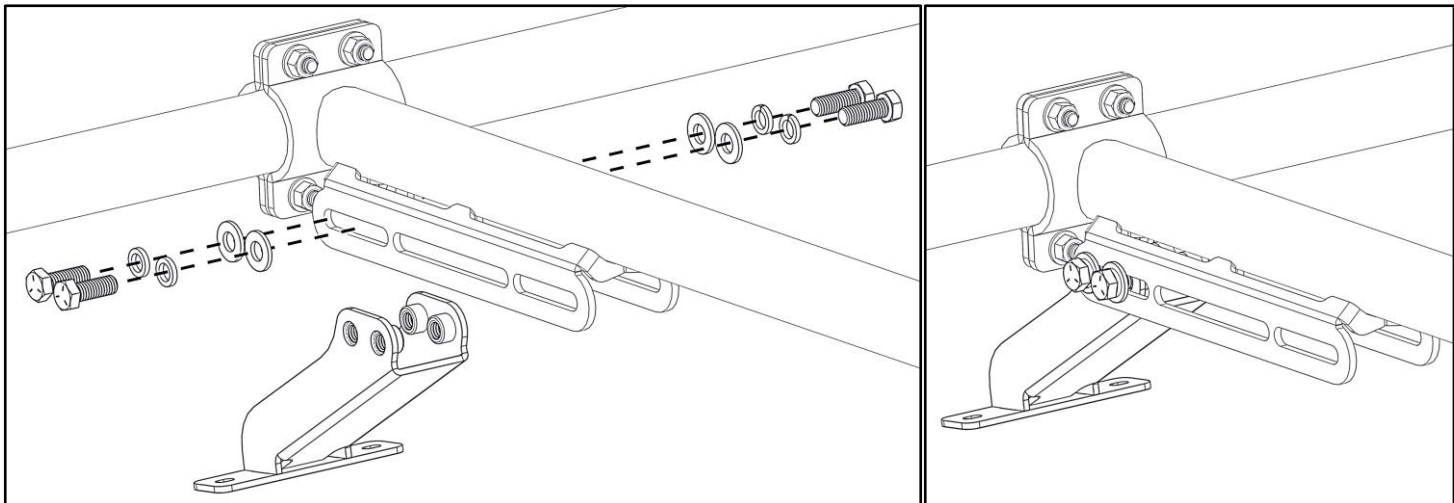


- Center the rack on top of the feet.

****Image of feet and rack may vary from what is shown below, but the installation is the same****



- Mount the rack to each foot using four 3/8" x 1" hex heads, four 3/8" split lock washers and four 3/8" flat washers. The same slot should be used at each location.



- Repeat at all four locations.

GO BACK AND ENSURE ALL HARDWARE IS TIGHT.
INSTALLATION IS NOW COMPLETE.

