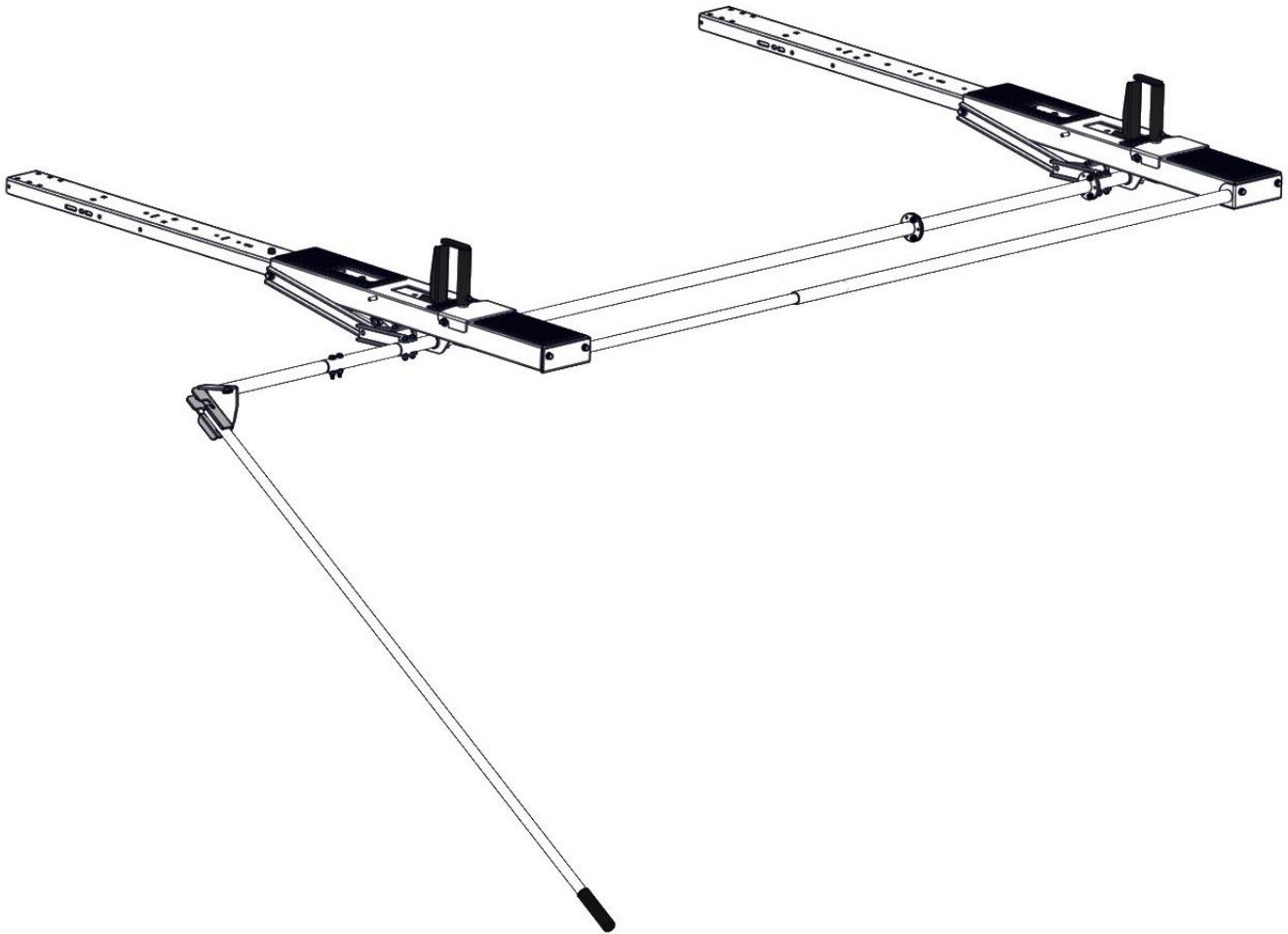

Holman

Instruction Guide 4A99H



Holman
Rancho Cordova, CA 95742
800-343-7486
InstallationSupport@Holman.com

PLEASE READ ALL INSTRUCTIONS AND WARNINGS PRIOR TO ASSEMBLING, INSTALLING, AND USING THIS PRODUCT

Warning



Always check for wires, fuel tanks and lines, brake lines and other important vehicle functionality items prior to drilling and installing all products.

Tools Needed

3/8" Socket and Wrench	Phillips Driver
7/16" Socket and Wrench	1/2" Socket and Wrench

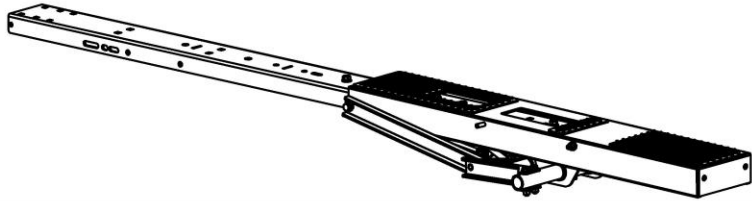
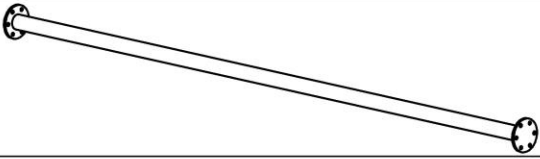
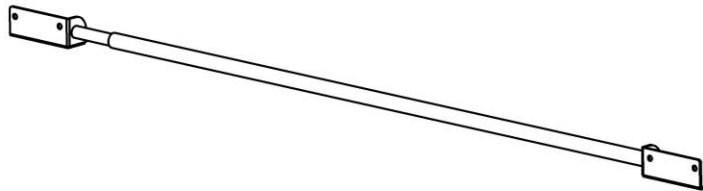
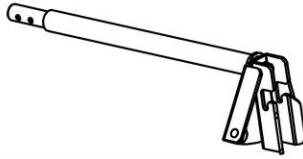
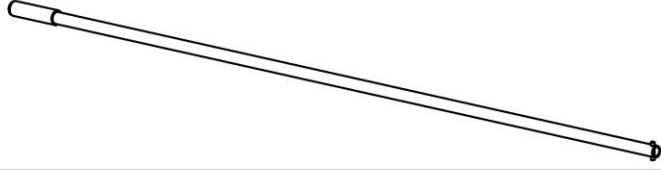
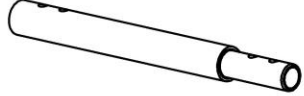
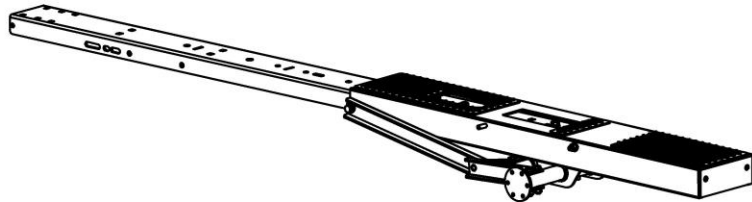
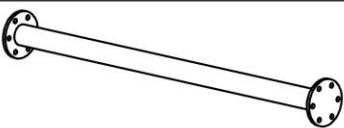
Table of Contents

Before You Begin	2
Parts	3
Hardware	5
Step 1 – Place Front Bow	6
Step 2 – Place Rear Bow	7
Step 3 – Install Torque Tube	8
Step 4 – Install End Tube	9
Step 5 – Install Actuator	9
Step 6 – Install Ladder Hook	11
Step 7 – Install Ladder Stop	12
Step 8 – Install Clips for Handle	13
Step 9 – Test Ladder Rack.....	14

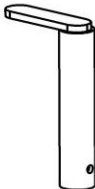
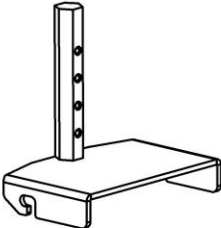

Before You Begin

- Read all instructions.
- Have vehicle specific mounting installed on vehicle.
- **DO NOT EXCEED MANUFACTURERS WEIGHT CAPACITY FOR ROOF.**

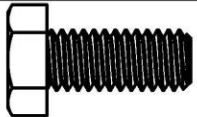
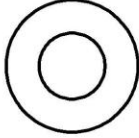
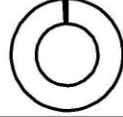
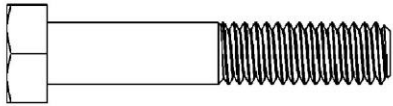

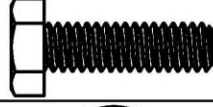
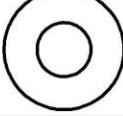

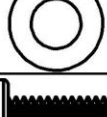
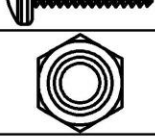

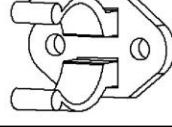
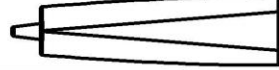
Parts

ITEM NO.		PART NUMBER	DESCRIPTION	QTY.
A		4A99H-Rear-1	Rear Pan Assembly	1
B		40993-24	Torque Tube	1
C		4A93L-7	End Tube Assembly	1
D		40993-43	Actuator	1
E		40993-44	Handle Assembly	1
F		40993-40-002	Actuator Extension	1
G		4A99H-Front-1	Front Pan Assembly	1
H		40993-25	Torque Tube Extension	1

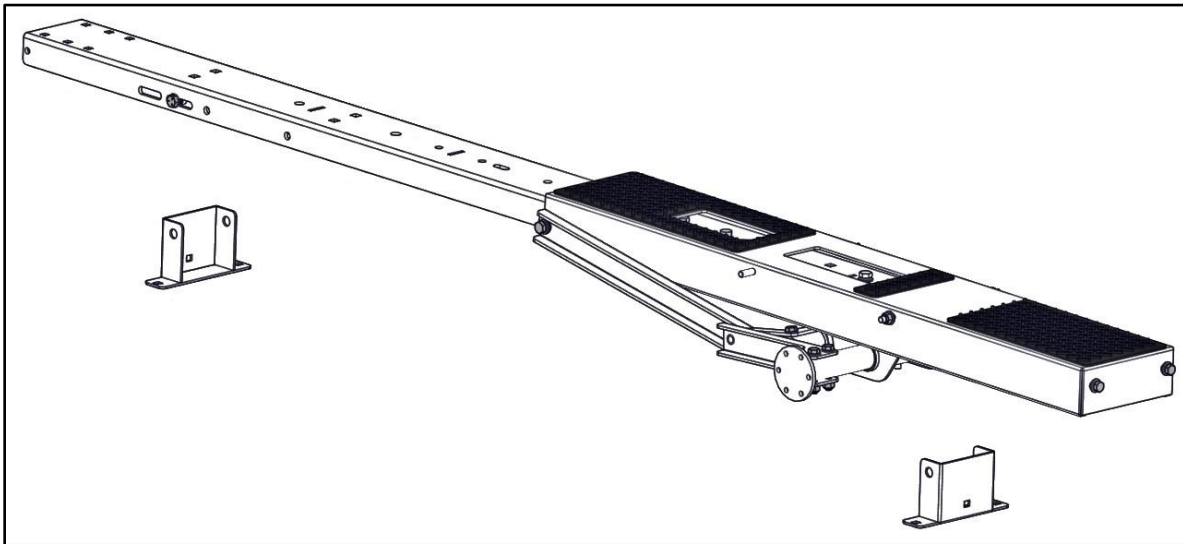
Parts (Continued)

ITEM NO.		PART NUMBER	DESCRIPTION	QTY.
J		4A900-35	Ladder Hook-Top	2
K		4A900-36	Ladder Hook-Base	2
L		4A900-30-004-R3	Ladder Stop	2
		18-4A99H	HARDWARE	1

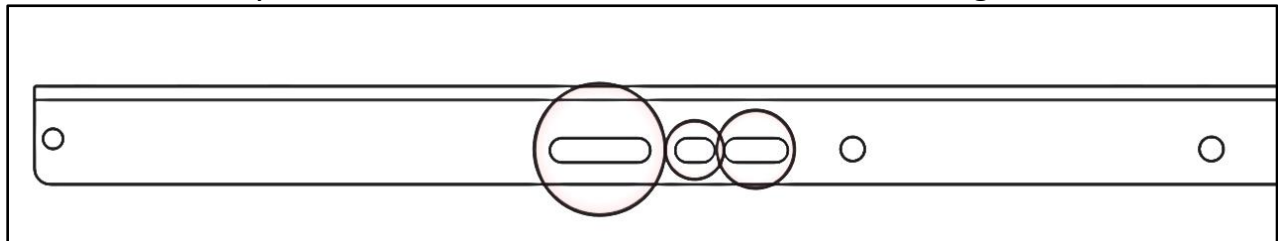
Hardware

ITEM NO.	TO SCALE	PART NUMBER	DESCRIPTION	QTY.
1		91286A154	5/16"-18 x 3/4" Hex Head	4
2		90126A030	5/16" Flat Washer	8
3		91102A755	5/16" Split Lock Washer	4
4			5/16"-18 x 1-3/4" Hex Head	2
5		95615A160	5/16"-18 Nyloc	2
6		92865A541	1/4"-20 x 7/8" Hex Head	11
7		90126A029	1/4" Flat Washer	20
8		95615A120	1/4"-20 Nyloc	9
9		91104A029	1/4" Split Lock Washer	2
10		90272A244	#10-24 x 5/8" Phillips Head	4
11		90631A011	#10-24 Nyloc	4
12		1171A72	Handle Holder Clip	2
		BH-821	Sealant	1

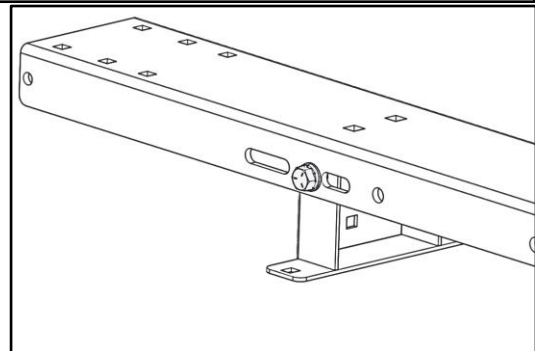
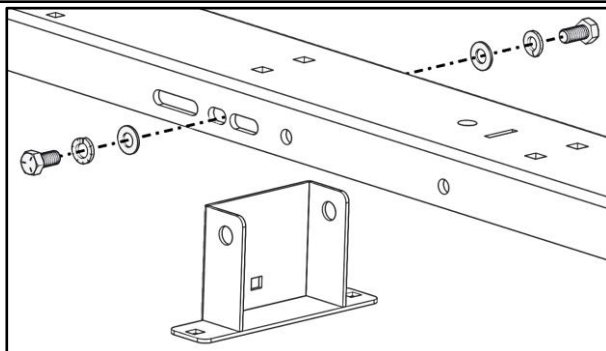
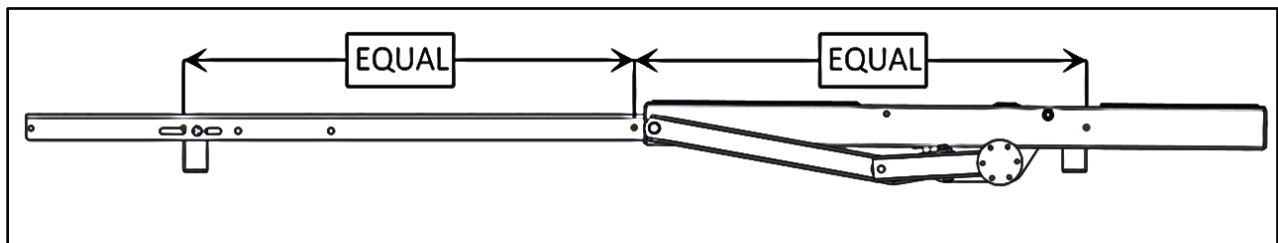
Step 1 – Place Front Bow



- Place the front bow on top of the installed feet. Be sure bow is centered on the vehicle.
- The same slot, but on opposite sides of the bow will be used to attach the bow to the feet. These slots will vary based on which vehicle the ladder rack is being installed on.

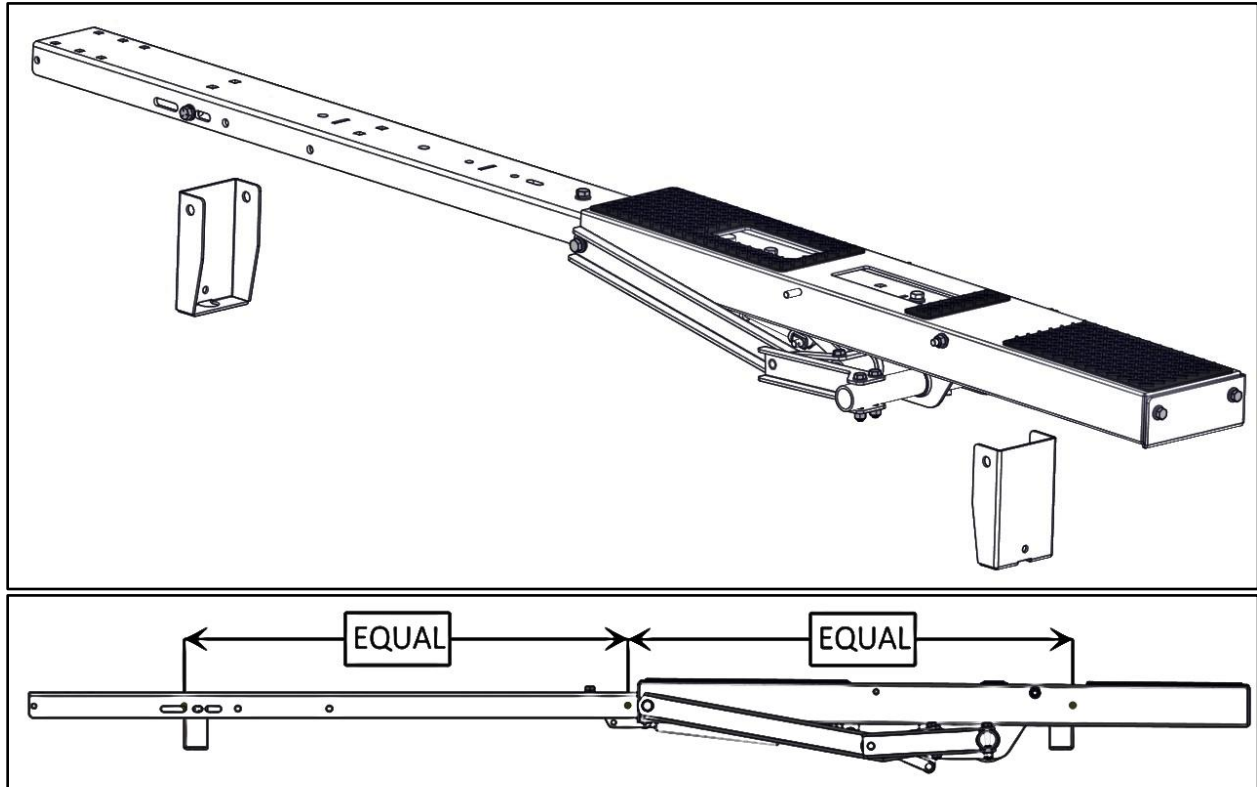


- Bolt the front bow to the feet using 3/8" x 3/4" hex head bolts, 3/8" lock washers and 3/8" flat washers that are included in the vehicle mounting kit. Pivot the ladder pan out of the way to access the mount locations on the passenger side.
- Snug tighten, but allow movement.

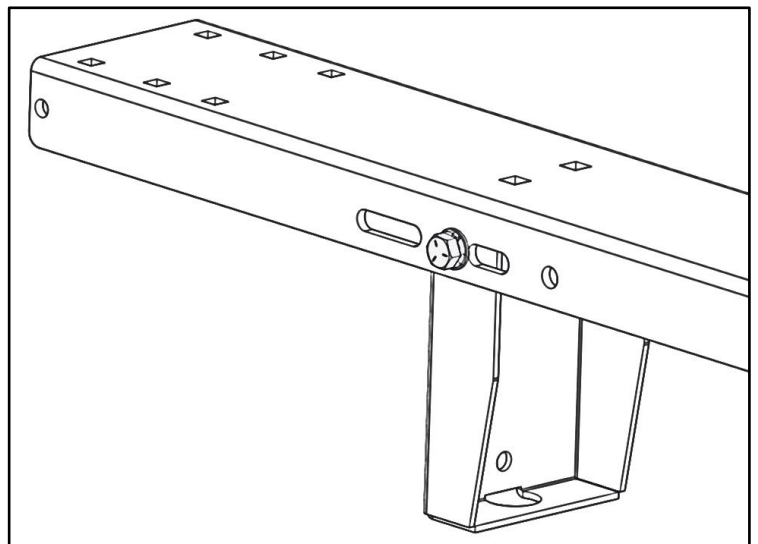
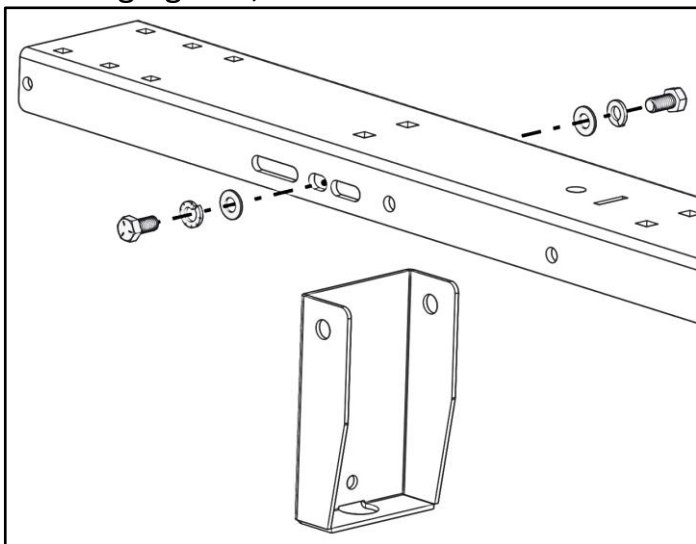


Step 2 – Place Rear Bow

- Place the rear bow on top of the installed feet. Be sure bow is centered on the vehicle.

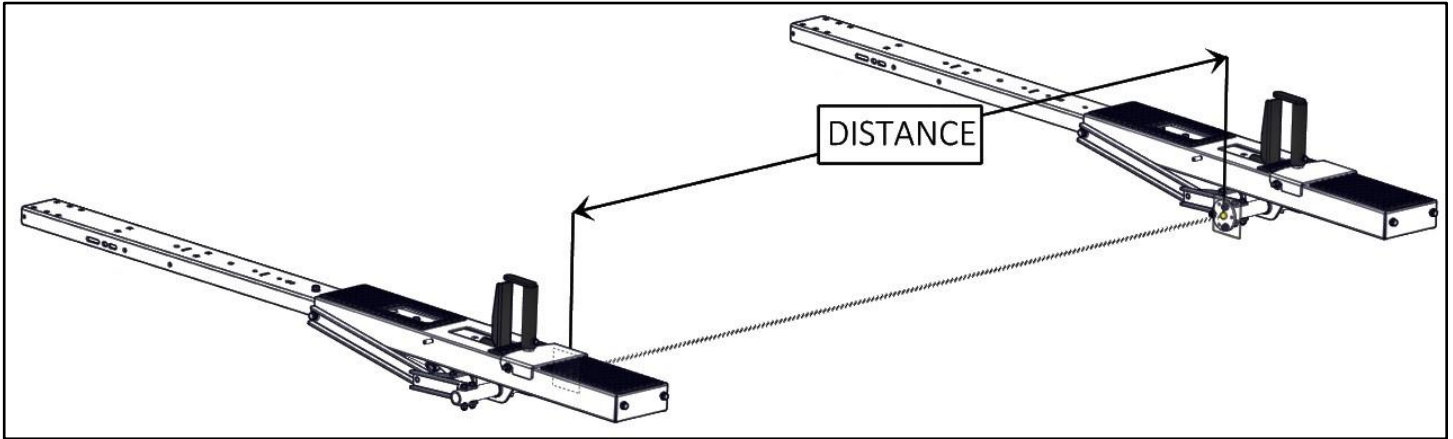


- The same slot, but on opposite sides of the bow, will be used to attach bow to the feet. These slots will vary based on which vehicle the ladder rack is being installed on.
- Bolt the rear bow to the feet using 3/8" x 3/4" hex head bolts, 3/8" lock washers and 3/8" flat washers that are included in the vehicle mounting kit. Pivot the ladder pan out of the way to access the mount locations on the passenger side.
- Snug tighten, but allow movement.



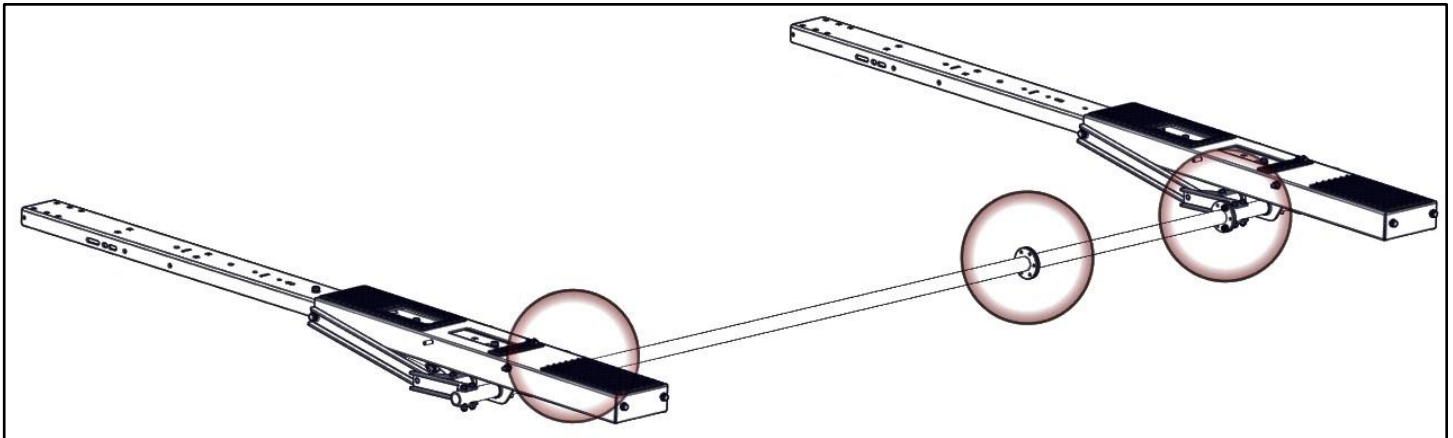
Step 3 – Install Torque Tube

- Measure the minimum distance between the front and rear bow as shown below.

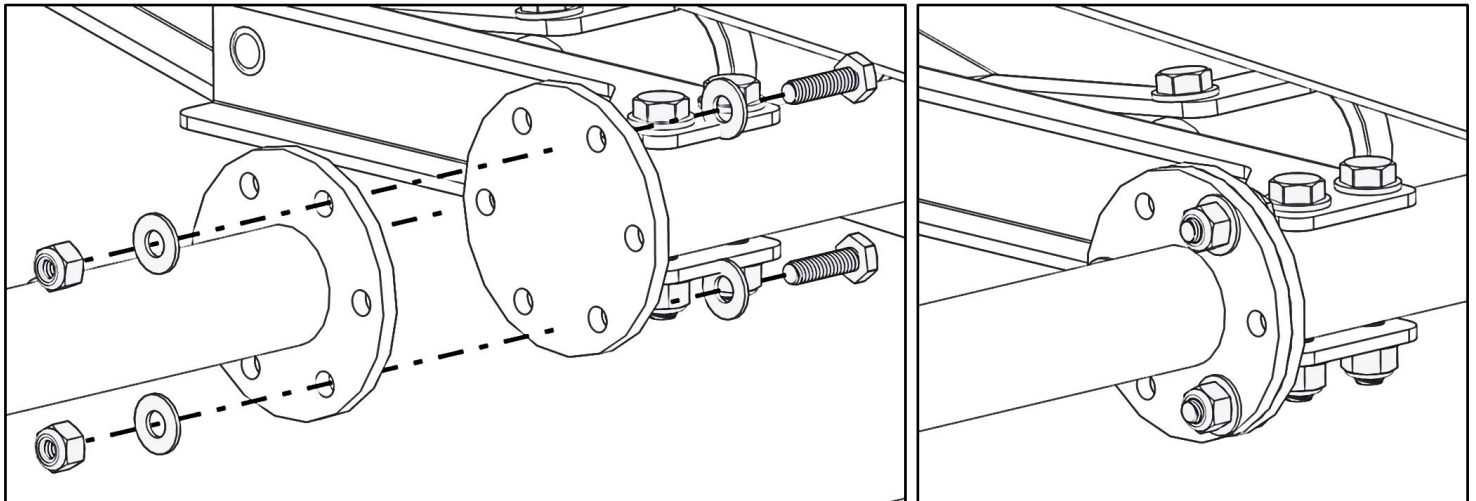


- If the distance is approximately 57", only the long torque tube will be needed. If the distance is approximately 82", the torque tube and the extension will be needed.

Note: The extension is being used in the picture below.

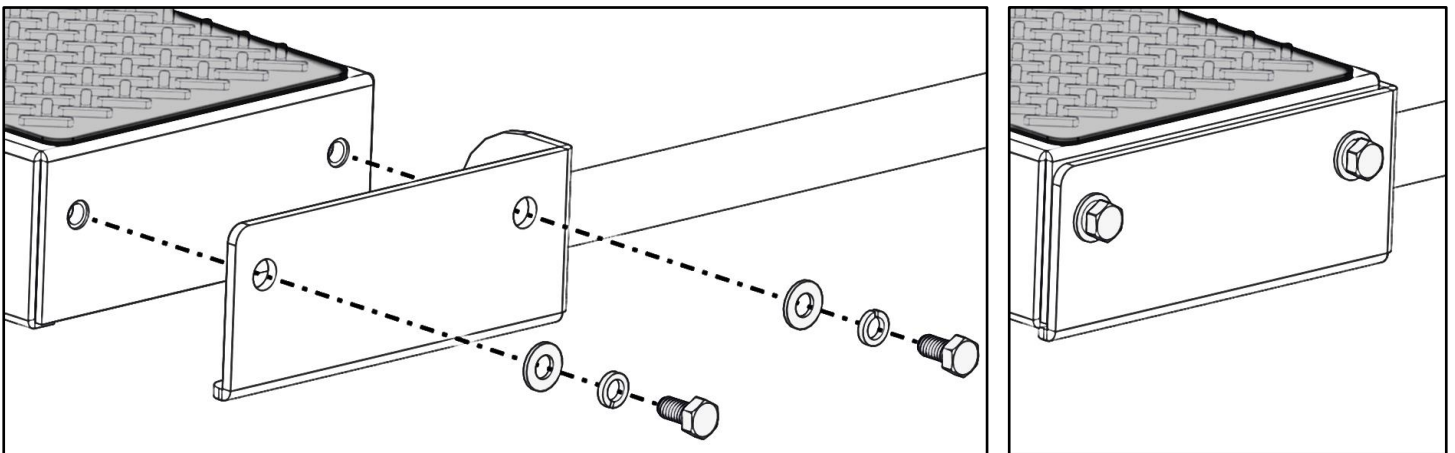
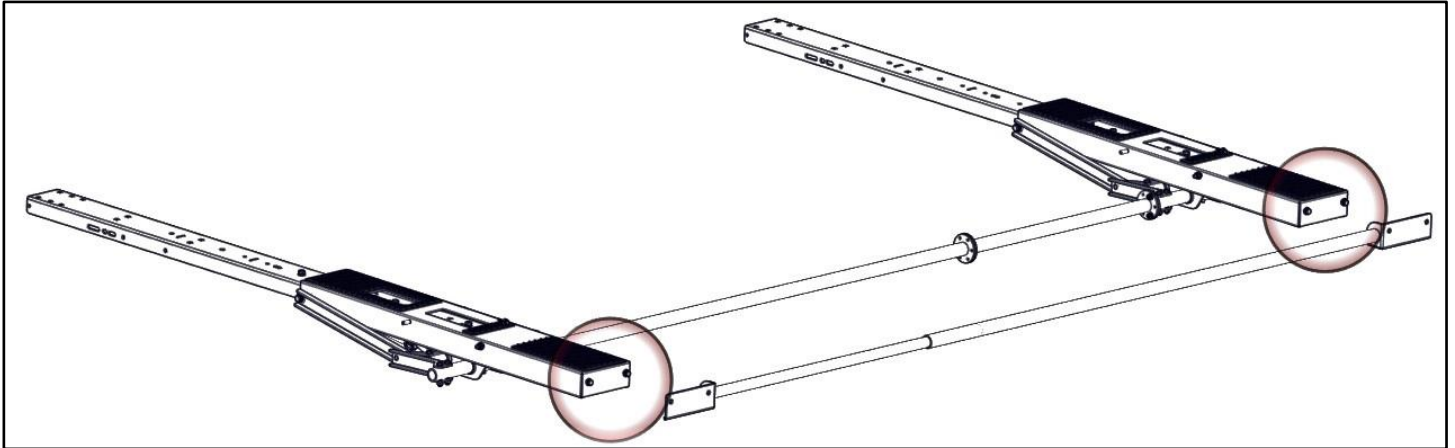


- Bolt the torque tube to the front and rear bow using 1/4" x 7/8" hex head bolts, 1/4" flat washers and 1/4" lock nuts. Repeat this process if the extension is being used.
- Snug tighten, but allow movement.



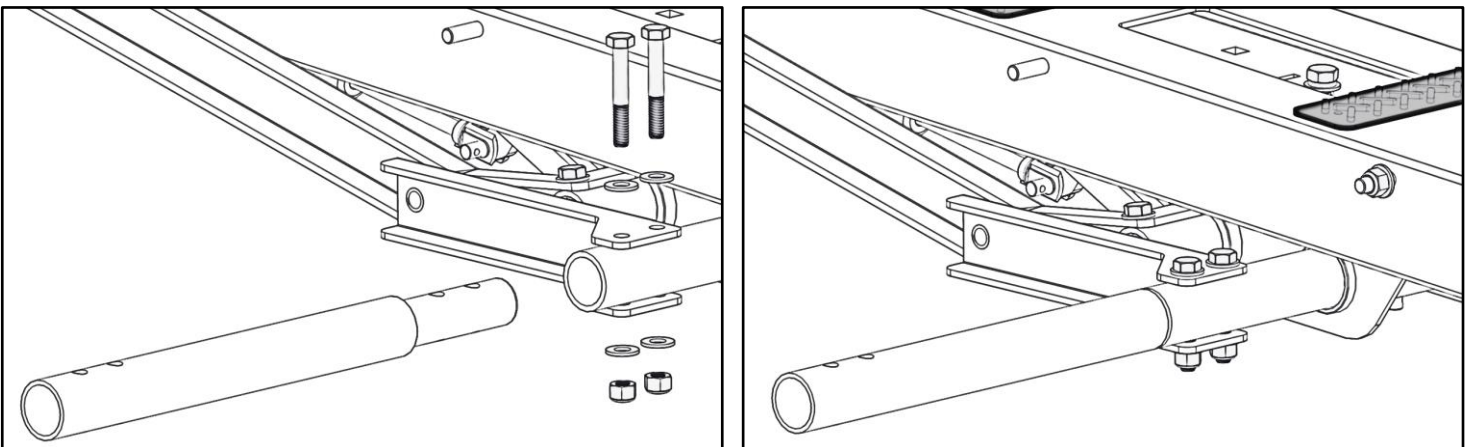
Step 4 – Install End Tube

- Bolt the end tube to the end of the pan on the front and rear bow using 5/16" x 3/4" hex head bolts, 5/16" lock washers and 5/16" flat washers.
- Snug tighten, but allow movement.

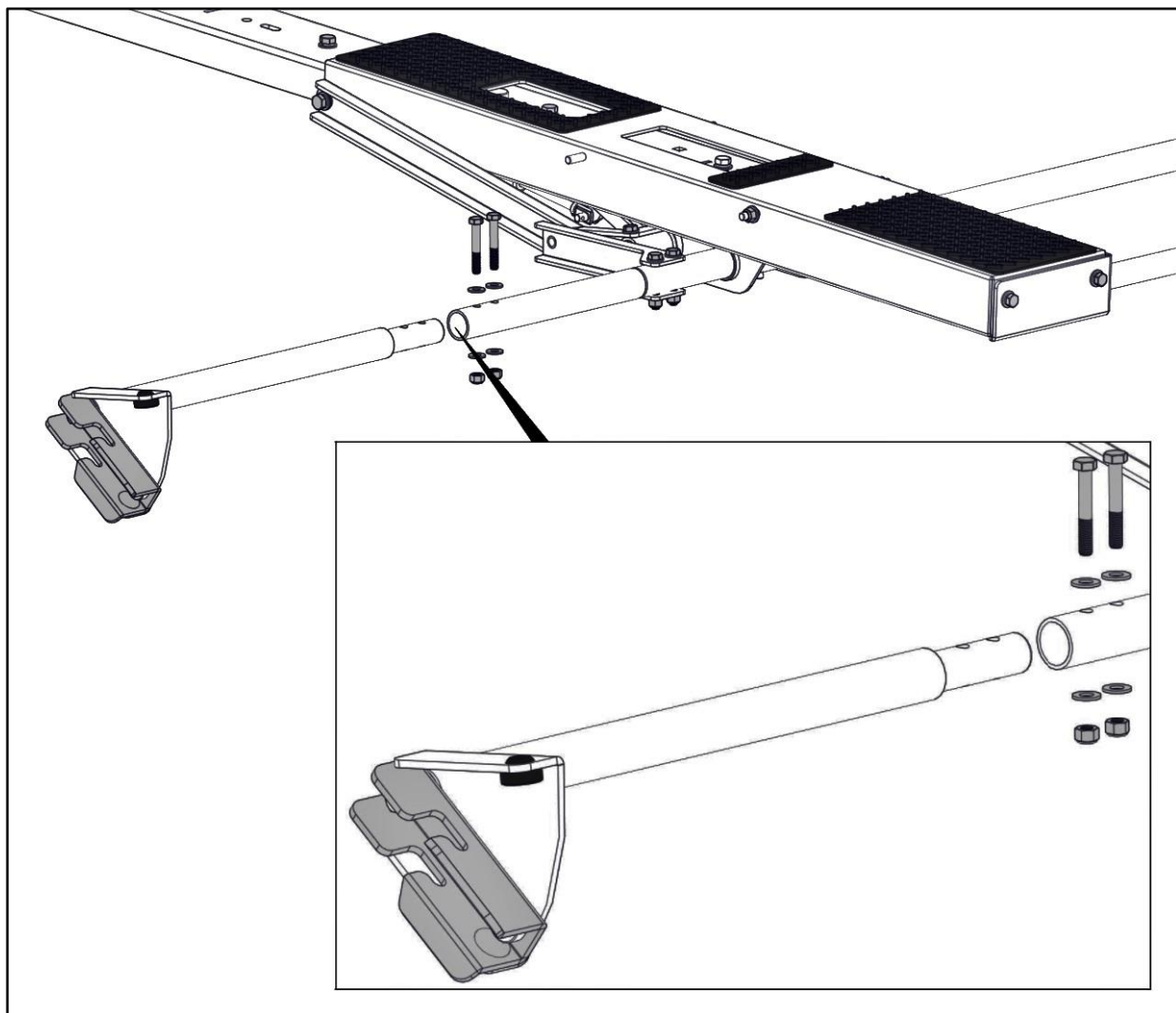


Step 5 – Install Actuator

- Remove the hardware, as shown, from the tube on the rear bow.
- Insert actuator extension into the tube and attach using the previously removed hardware.



- Insert actuator assembly into the end of the actuator extension as shown below.
- Bolt into place using two 5/16" x 1-3/4" hex head bolts, four 5/16" flat washers and two 5/16" lock nuts.
- Tighten.

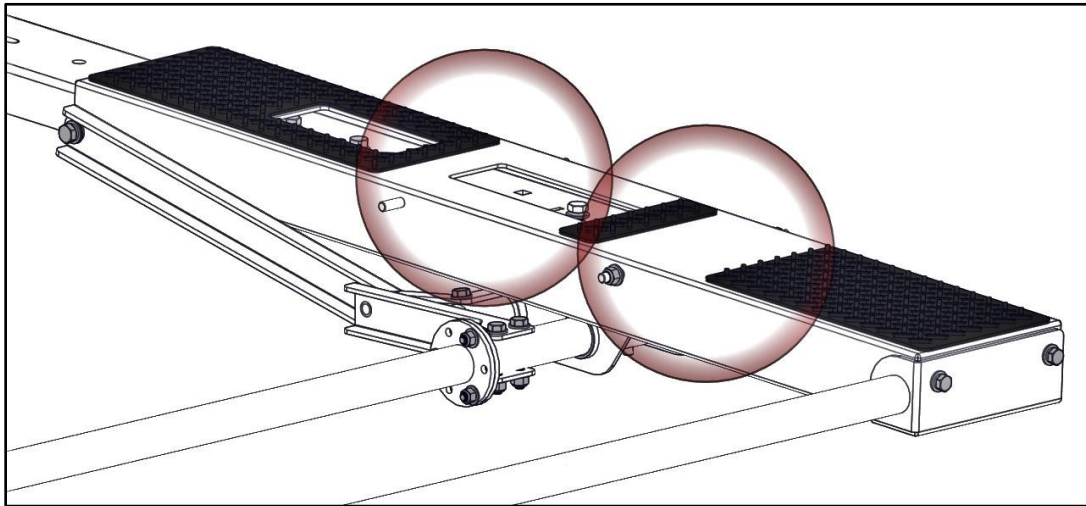
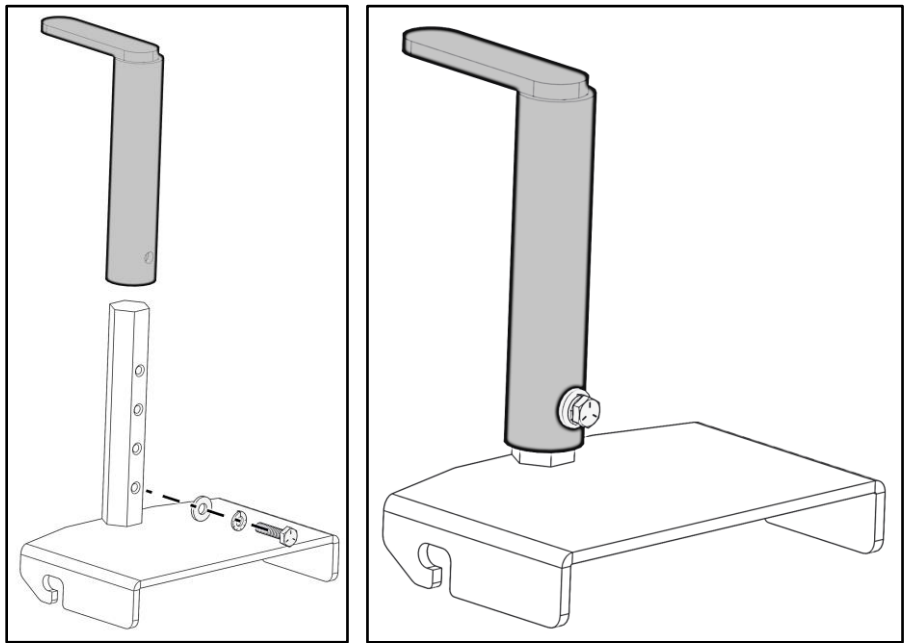


Step 6 – Install Ladder Hook

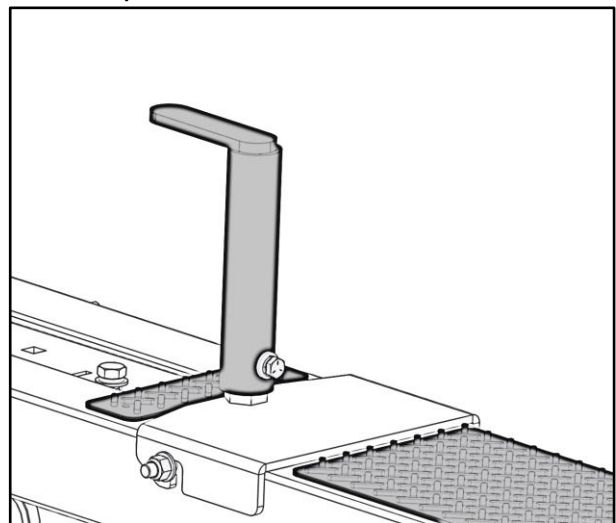
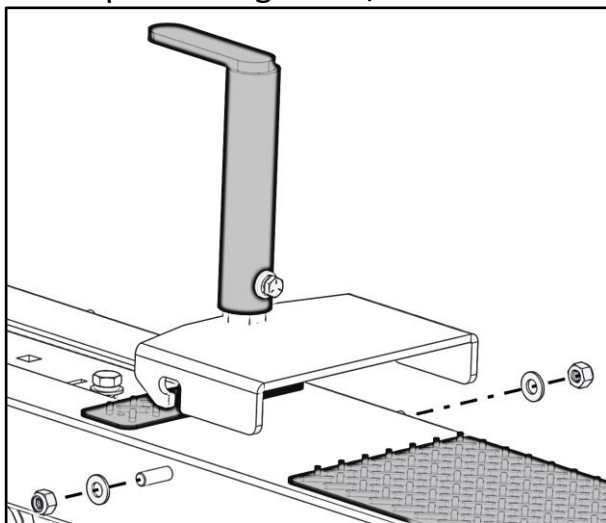
- Assemble the ladder hooks.

Note: This can be adjusted at a later time to better fit the size of the ladder being used.

- Bolt into place using 1/4" x 7/8" hex head bolt, 1/4" lock washer and a 1/4" flat washer.
- Repeat for a second ladder hook.
- Tighten.
- Place one ladder hook assembly onto the front bow and one ladder hook on the rear bow in the desired locations. Use the threaded studs to locate the ladder hook location.

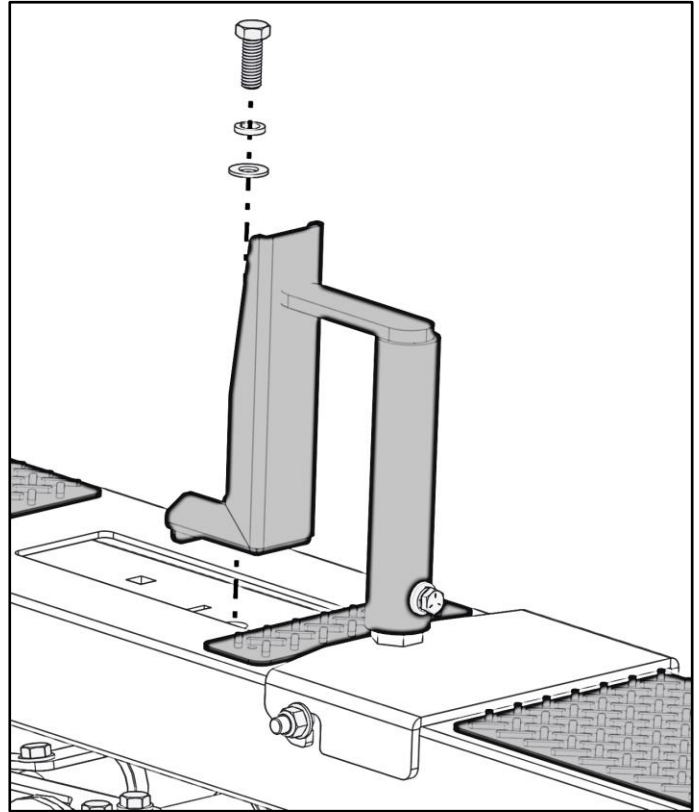
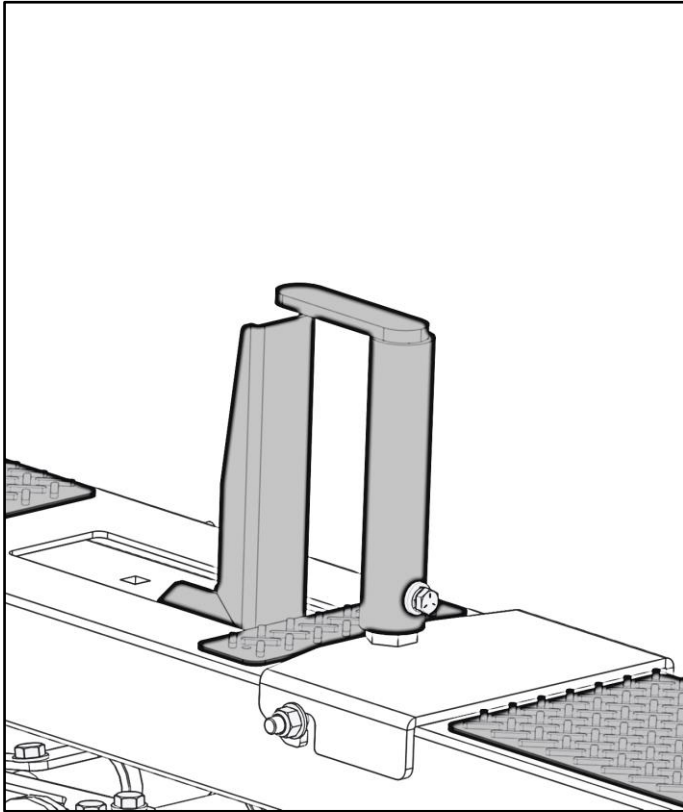


- Bolt into place using two 5/16" flat washers and two 5/16" lock nuts at each location.



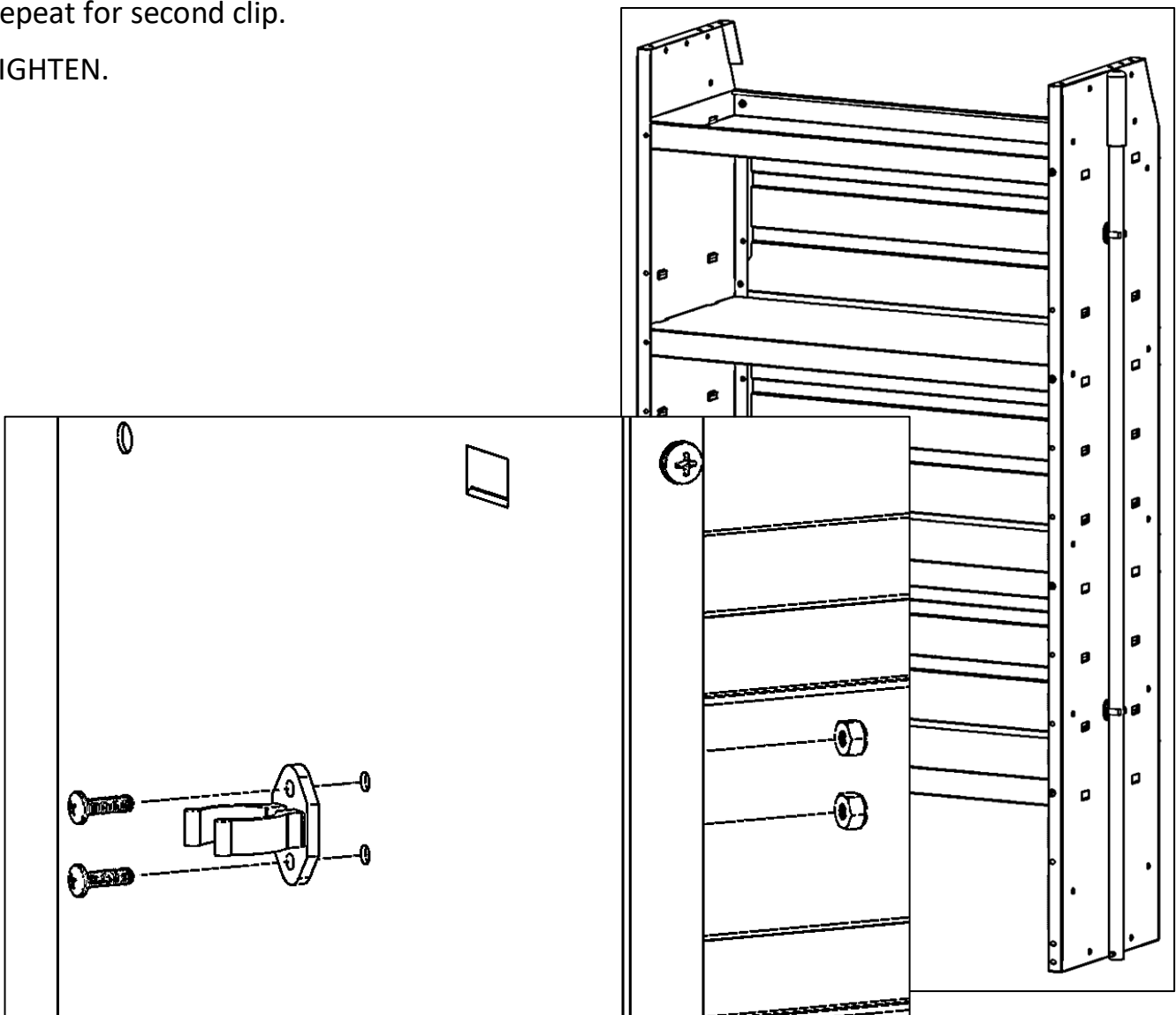
Step 7 – Install Ladder Stop

- Find the slot and the installed hardware near the previously installed ladder hook assembly.
- Remove the hardware in the bow and place the ladder stop in that location. Bolt into place using the removed hardware. Be sure the tab on the ladder stop aligns with the slot in the bow.
- Repeat on each bow.
- Tighten.



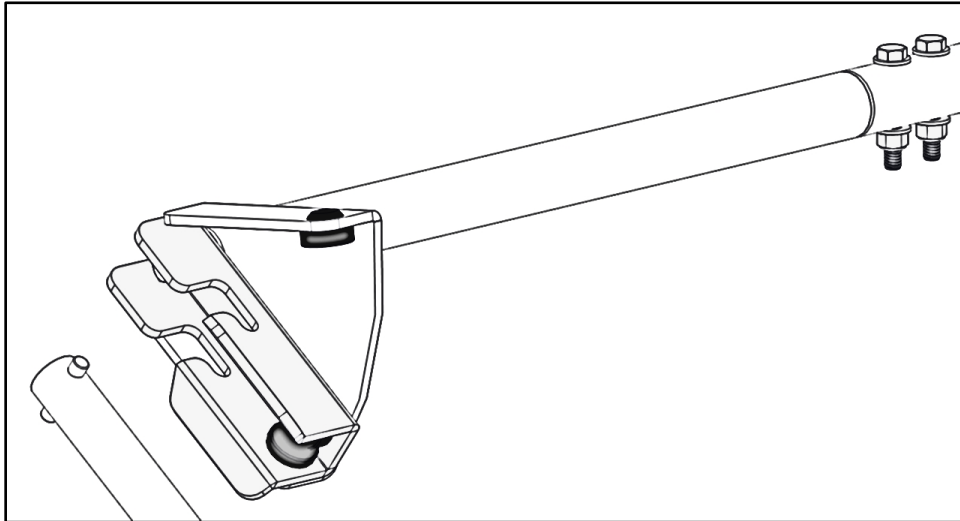
Step 8 — Install Clips for Handle

- Locate a good mounting place to install the upper clip for the handle. We recommend placing towards the rear of the van on the rear panel of a shelf.
- Place the upper clip on the handle.
- Place the handle against the shelf in the desired location.
- Mark the holes onto the shelf.
- Drill the locations using a 7/32" drill.
- Attach clip using two #10 x 5/8" pan head screws and #10 nuts.
- Repeat for second clip.
- TIGHTEN.



Step 9 – Test Ladder Rack

- Go back and ensure all hardware is tight. Tighten the torque tube first.
- Prior to installing a ladder, place the long handle into the handle bar assembly and test that the ladder rack mechanism works correctly.



ENSURE ALL HARDWARE IS TIGHT

YOUR INSTALLATION IS NOW COMPLETE

