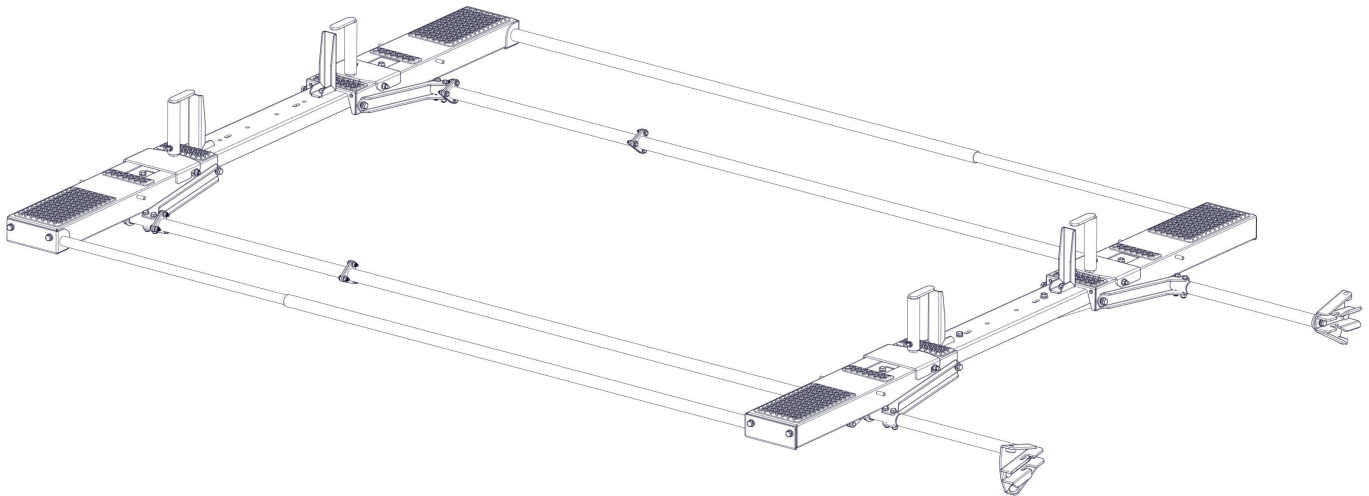


Holman

Installation Guide

4A96M



Holman
Rancho Cordova, CA 95742
800-343-7486
InstallationSupport@holman.com

PLEASE READ ALL INSTRUCTIONS AND WARNINGS PRIOR TO ASSEMBLING, INSTALLING, AND USING THIS PRODUCT

Warning



Always check for wires, fuel tanks and lines, brake lines and other important vehicle functionality items prior to drilling and installing all products.

Tools Needed

9/16" Wrench and Socket	7/16" Wrench and Socket

Table of Contents

Parts List..... 2

Hardware 4

Step 1 – Remove Load Plates and Install Bumpers..... 6

Step 2 – Assemble Front Bow Mechanism 7

Step 3 – Install Front Wheels 7

Step 4 – Install Front Bow 8

Step 5 – Install Damper Mount..... 10

Step 6 – Install Damper Assembly 11

Step 7 – Install Rear Wheels 13

Step 8 – Install Rear Pan 13

Step 9 – Install Torque Tube 15

Step 10 – Install End Tube..... 17

Step 11 – Install Ladder Clamps and Stops 18

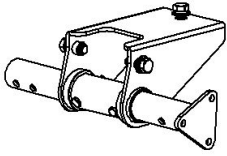
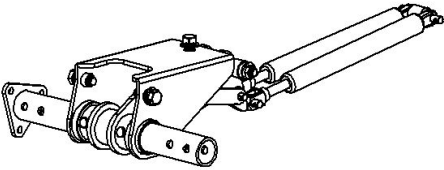
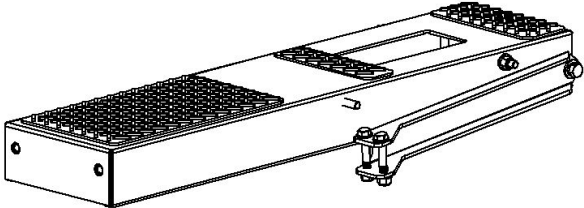
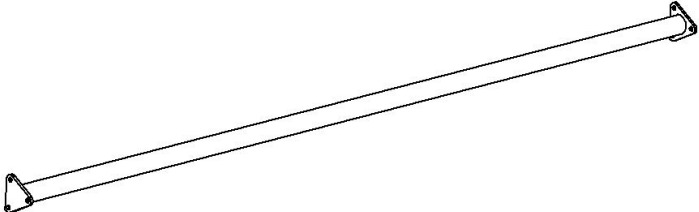
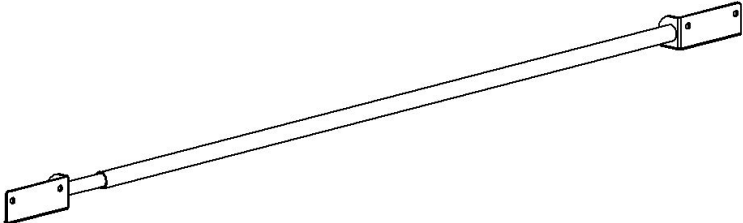
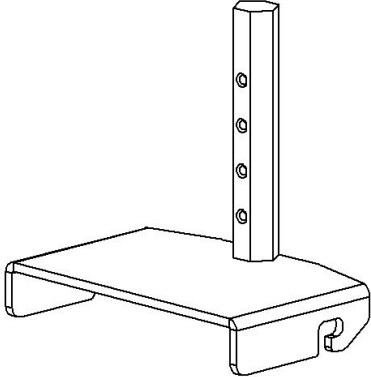
Step 12 – Install Ladder Hooks..... 20

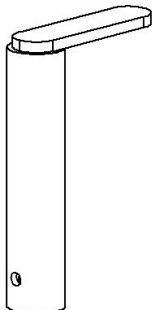
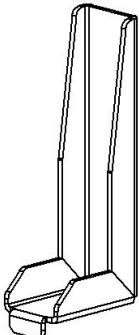
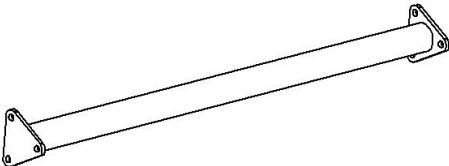
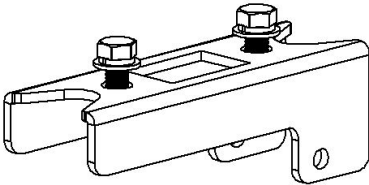
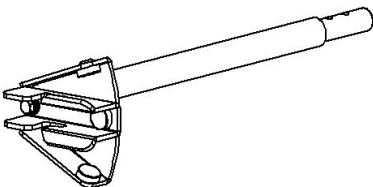
Step 13 – Attach Dampers 20

Before You Begin

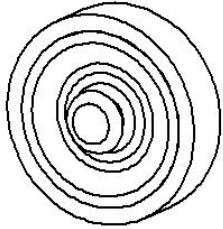
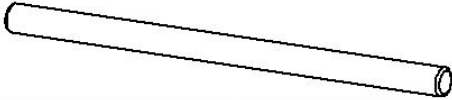
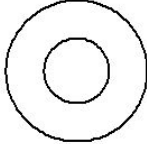
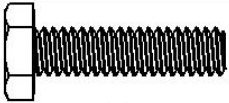
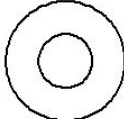


- Read all instructions.
- Have ladder rack installed on vehicle.
- Place sealant around all swage connections.
- **DO NOT EXCEED MANUFACTURERS WEIGHT CAPACITY FOR ROOF.**
- **BE SURE TO ADJUST LADDER CLAMPS ACCORDINGLY TO FIRMLY SECURE LADDER TO RACK.**
- **KEEP THE ADJUSTMENT GUIDE IN VEHICLE AT ALL TIMES.**

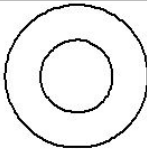
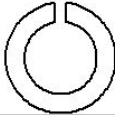
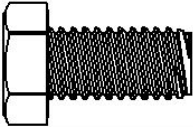
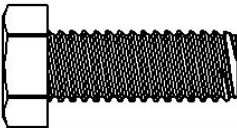
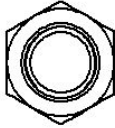
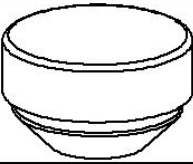
Parts List

ITEM		PART NO.	DESCRIPTION	QTY.
A		4A93L-12	FRONT TORQUE TUBE ASSEMBLY	1
B		4A93L-11	DAMPER ASSEMBLY	1
C		4A93L-10	PAN	2
D		4A93L-50	TORQUE TUBE	1
E		4A93L-7	END TUBE	1
F		4A900-36	LADDER HOOK BASE	2

ITEM		PART NO.	DESCRIPTION	QTY.
G		4A900-35	LADDER HOOK	2
H		4A900-30-004-R3	LADDER STOP	2
J		4A93L-51	TORQUE TUBE EXTENSION	1
K		4A900-50	DAMPER MOUNT	1
L		100531	HANDLE ASM	1
		18-4A96M	HARDWARE KIT	1

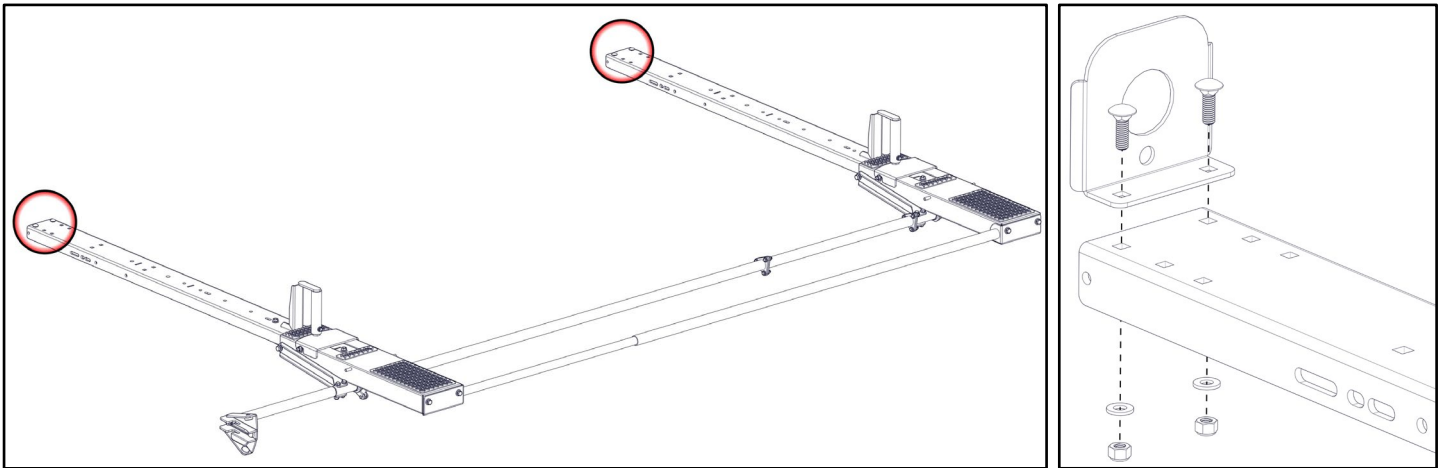
Hardware

ITEM	HARDWARE TO SCALE	PART NO.	DESCRIPTION	QTY.
1		9960T26	WHEEL SCALE 1:2	4
2		40900-10-006	Axle SCALE 1:2	2
3		90295A160	Nylon Washer	4
4		92865A542	1/4"-20 x 1" HEX HEAD	11
5		90126A029	1/4" FLAT WASHER	20
6		95615A120	1/4"-20 NYLOC NUT	9
7		91102A750	1/4" LOCK WASHER	2

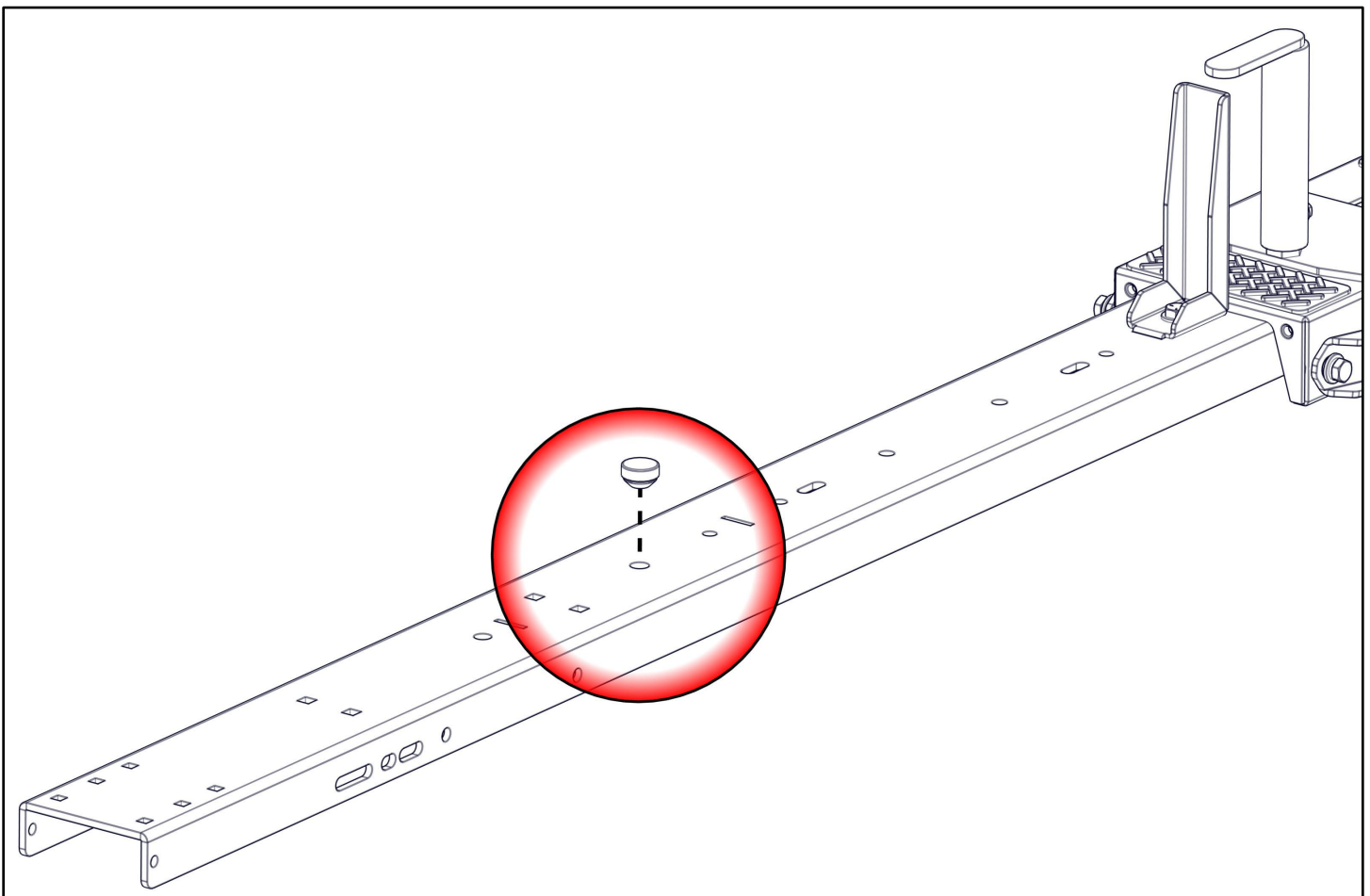
ITEM	HARDWARE TO SCALE	PART NO.	DESCRIPTION	QTY.
8		98023A031	3/8" FLAT WASHER	6
9		91102A760	3/8" LOCK WASHER	4
10		92865A622	3/8"-16 X 3/4" HEX HEAD	4
11		92865A624	3/8"-16 x 1" HEX HEAD	1
12		97135A230	3/8"-16 NYLOC NUT	1
13		9309k19	1" RUBBER BUMPER	2
		BH-821	SEALANT	1

Step 1 – Remove Load Plates and Install Bumpers

- If installed, at the end of each bow, opposite from the pan mechanism, remove the load plates as shown.

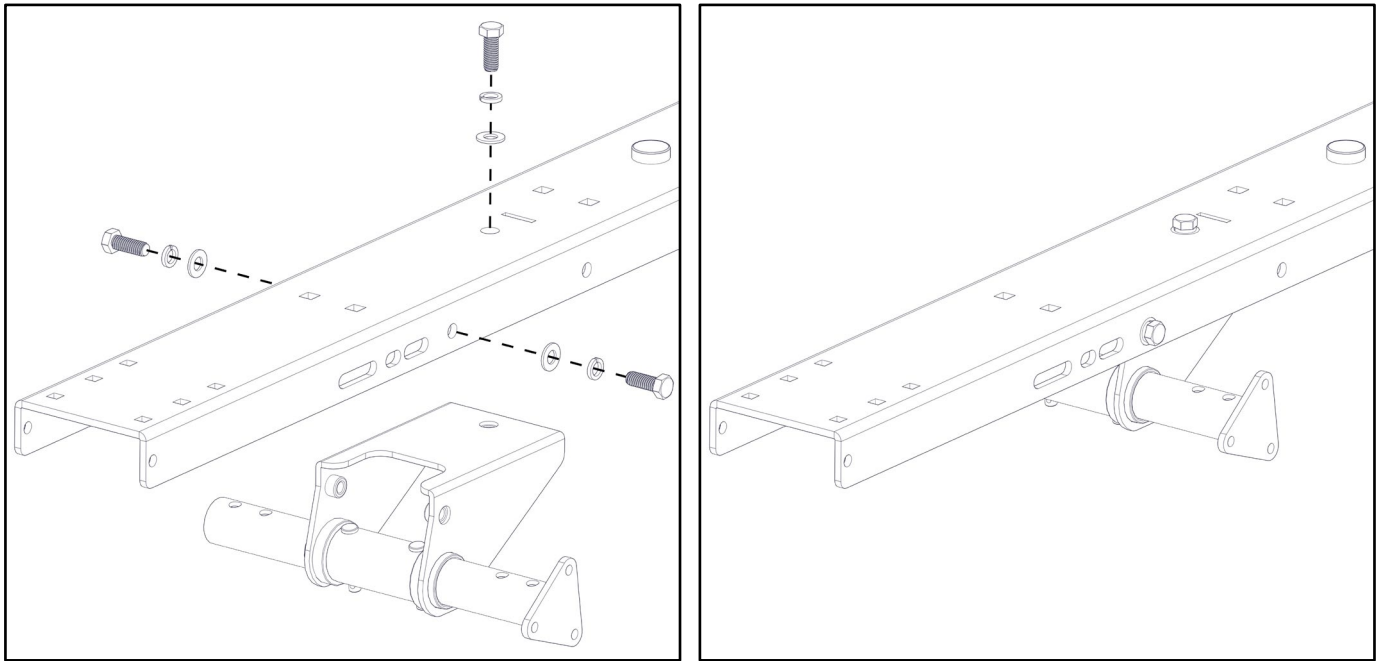


- Push the rubber bumper into the larger round hole in the location shown.
- Repeat on both bows.



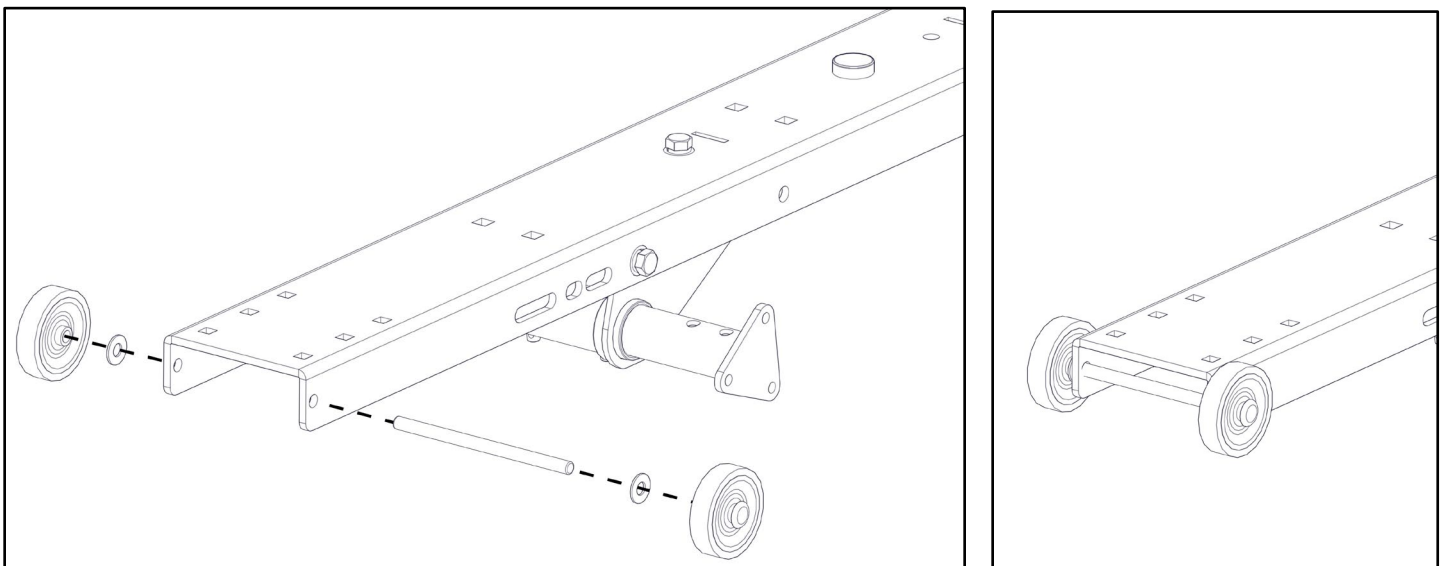
Step 2 – Assemble Front Bow Mechanism

- On the underside of the front bow, install the front torque tube assembly using the pre-assembled 3/8" hardware in the location shown.



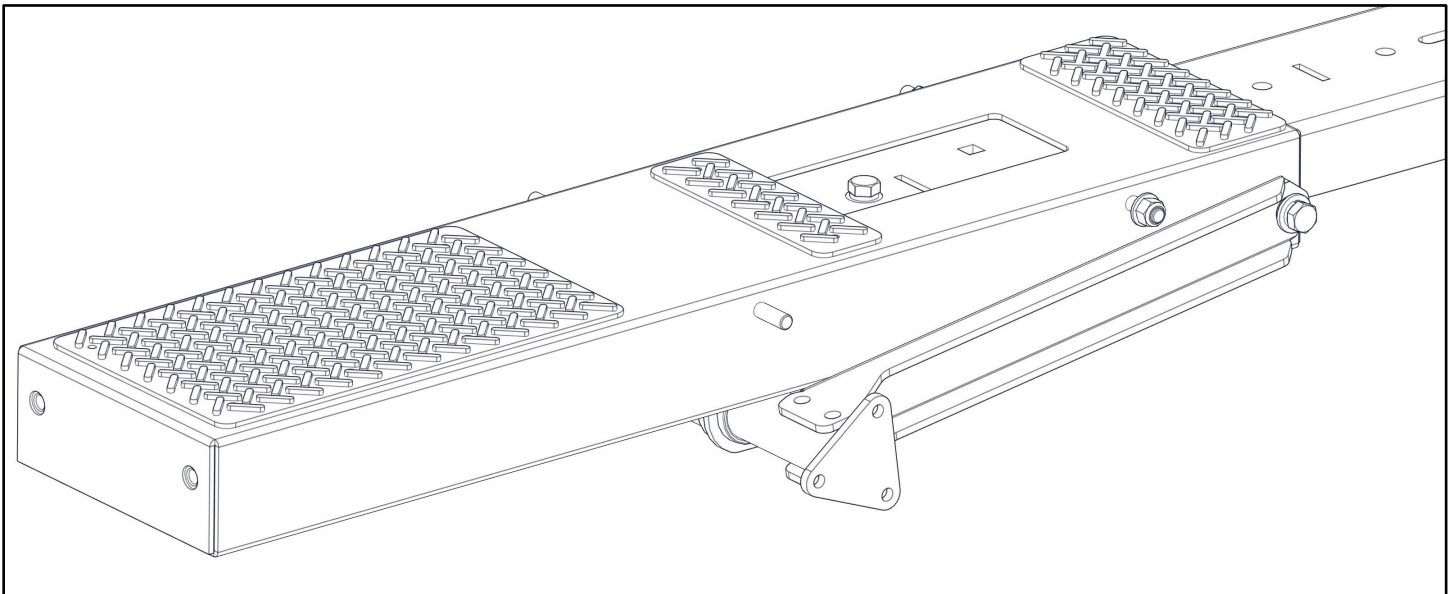
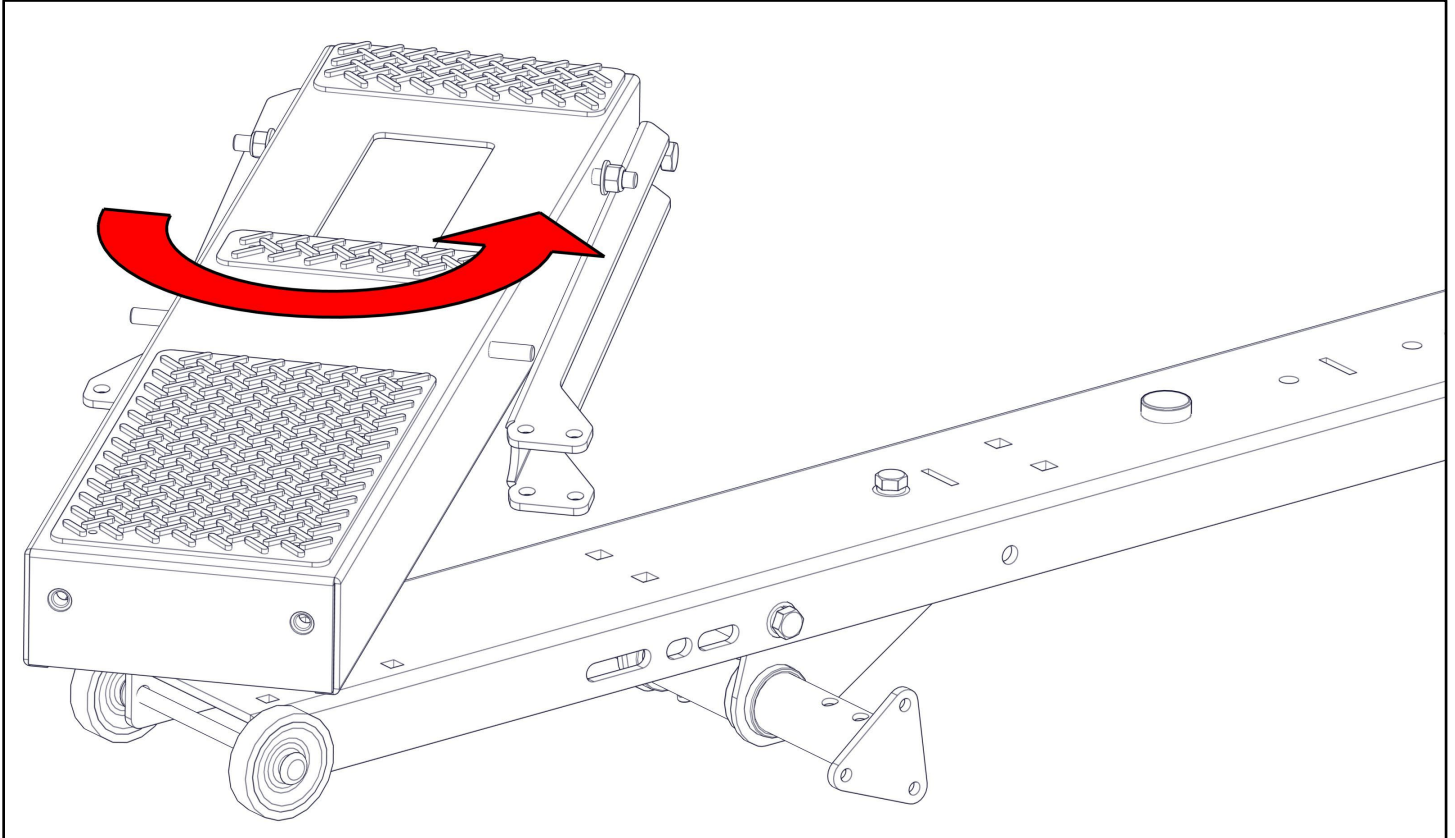
Step 3 – Install Front Wheels

- Slide the axle into the end of the front bow.
- Place a nylon washer and a wheel on each end of the axle as shown.
- While installing the pan, be sure the wheels stay in position.

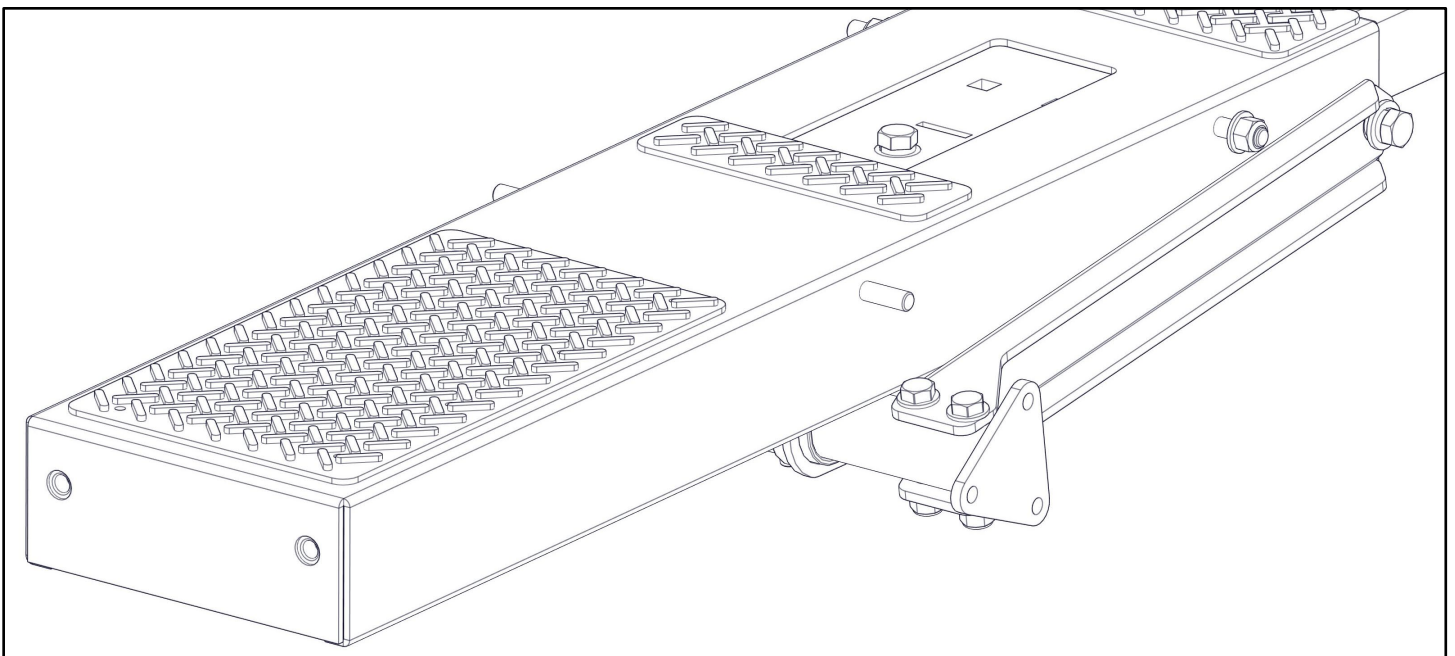
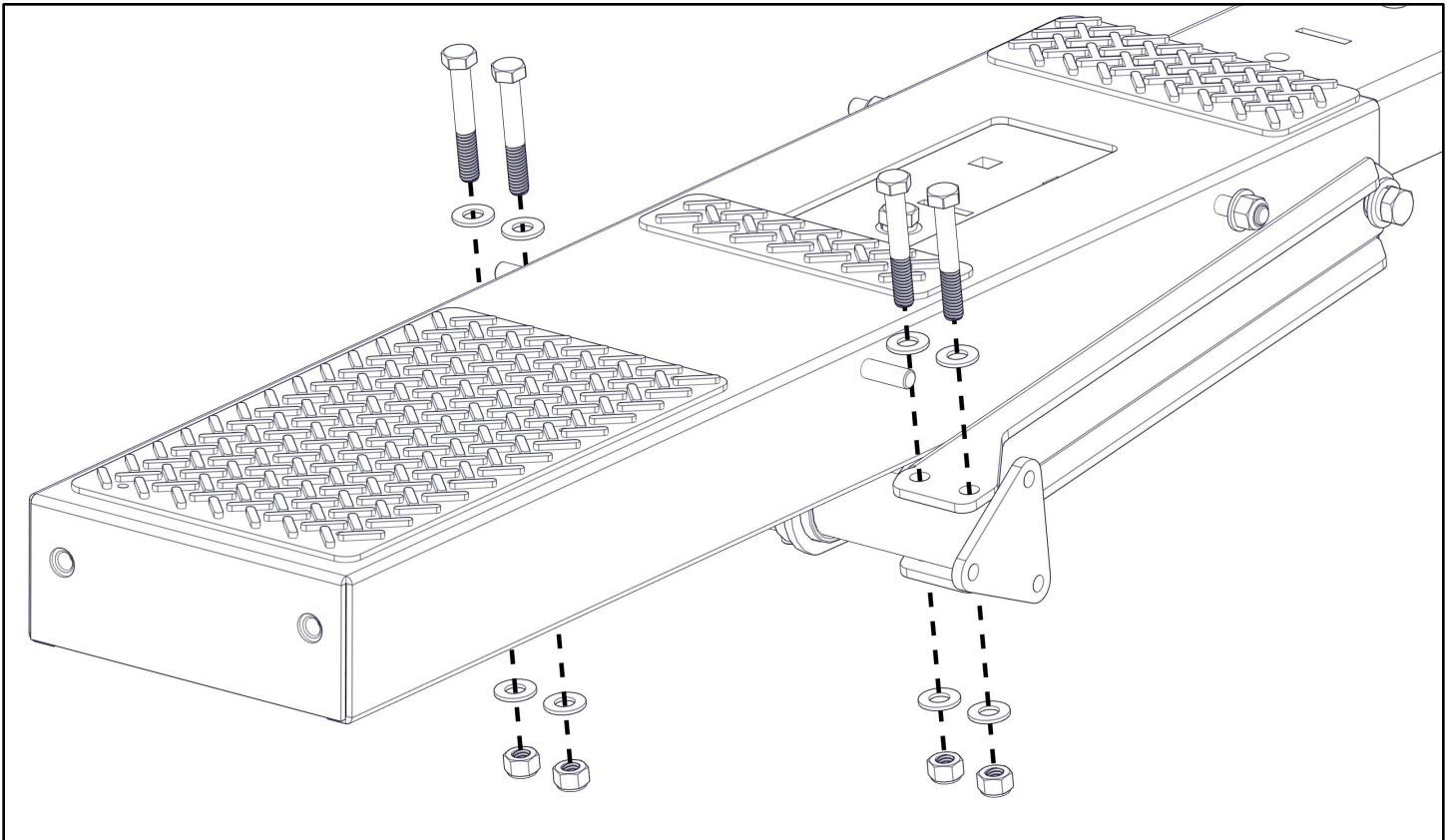


Step 4 – Install Front Bow

- Remove the hardware from the arms in the pan.
- Rotate the pan and place over the previously installed wheels. Position the pan so it is parallel with the bow.

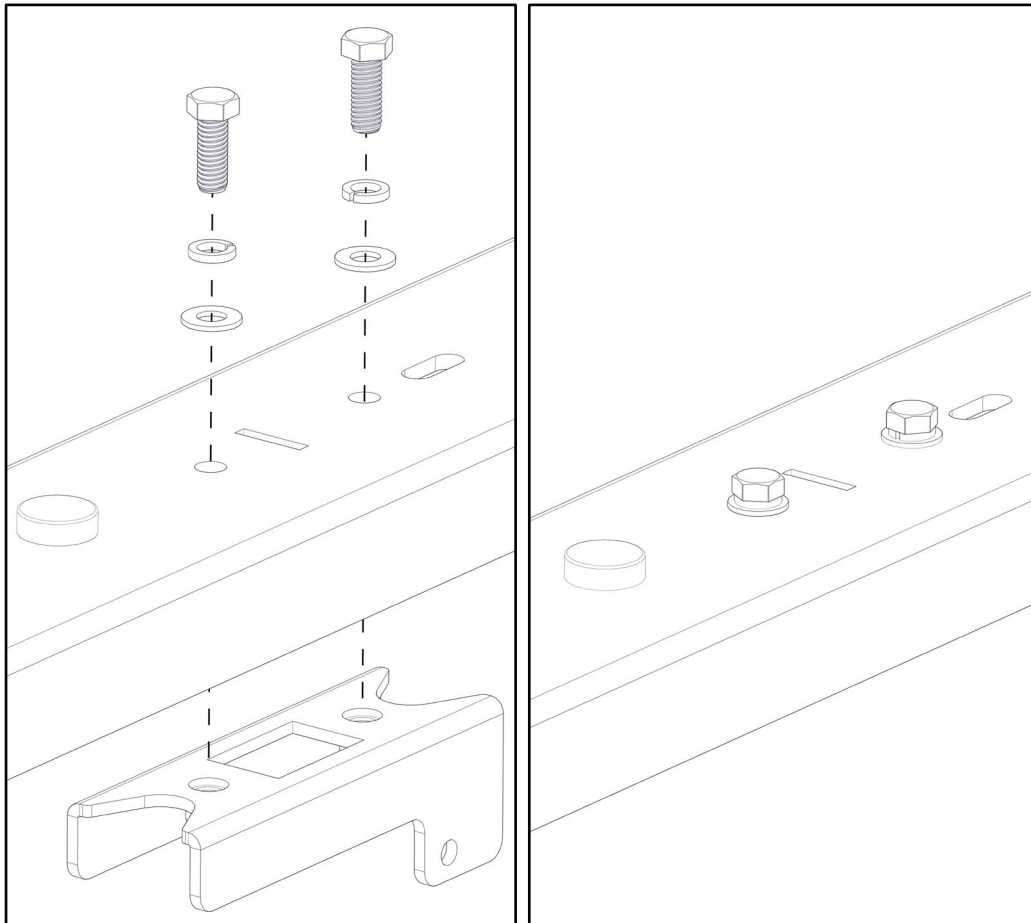
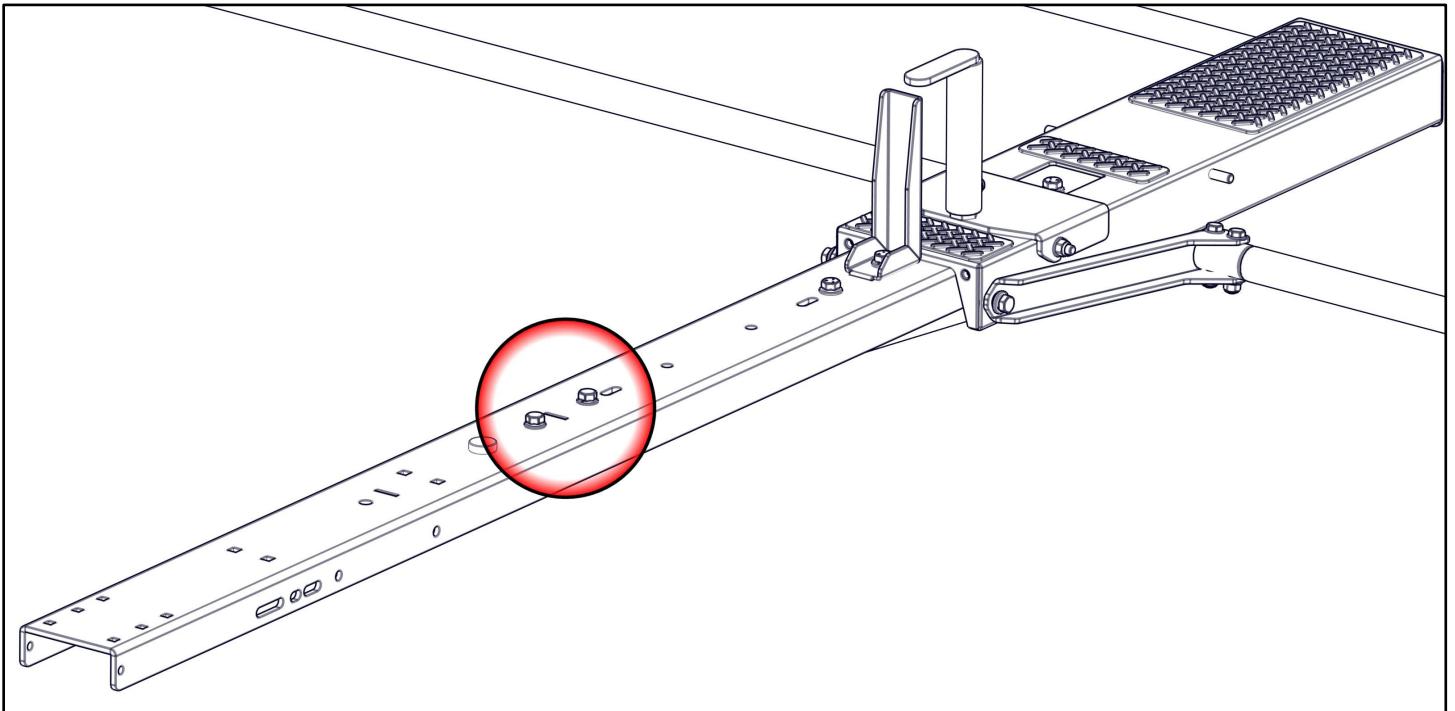


- Place the arms around the tube from the front bow mechanism. Replace the hardware to attach the pan to the front bow mechanism.



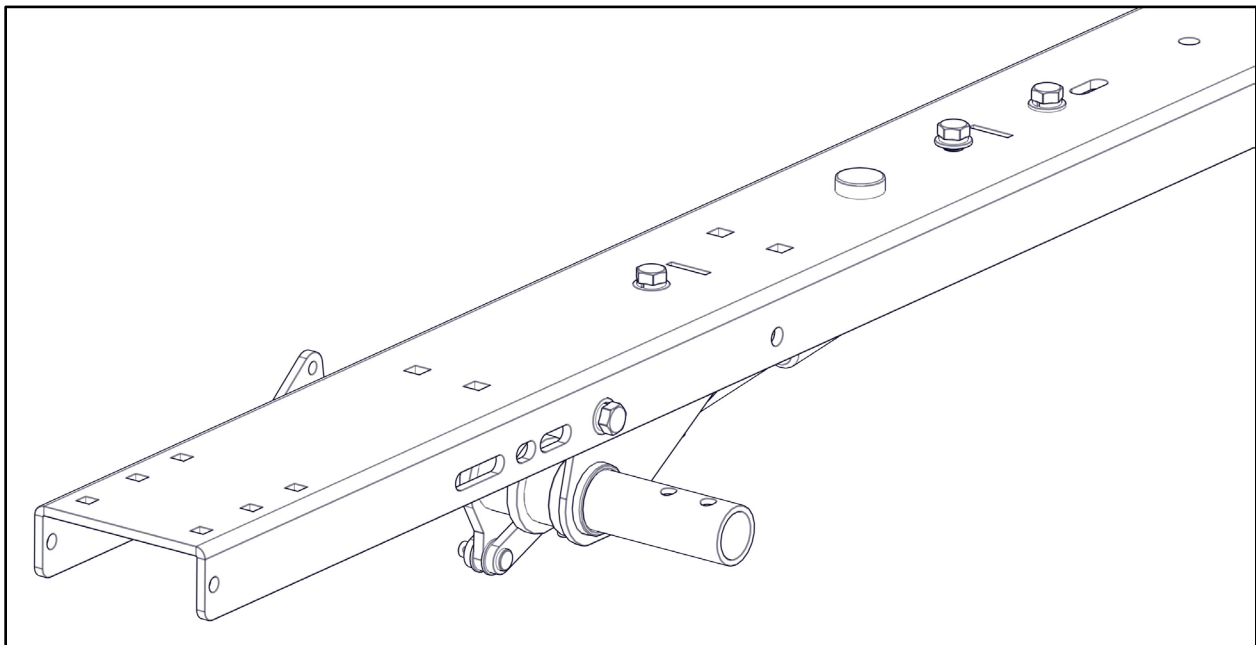
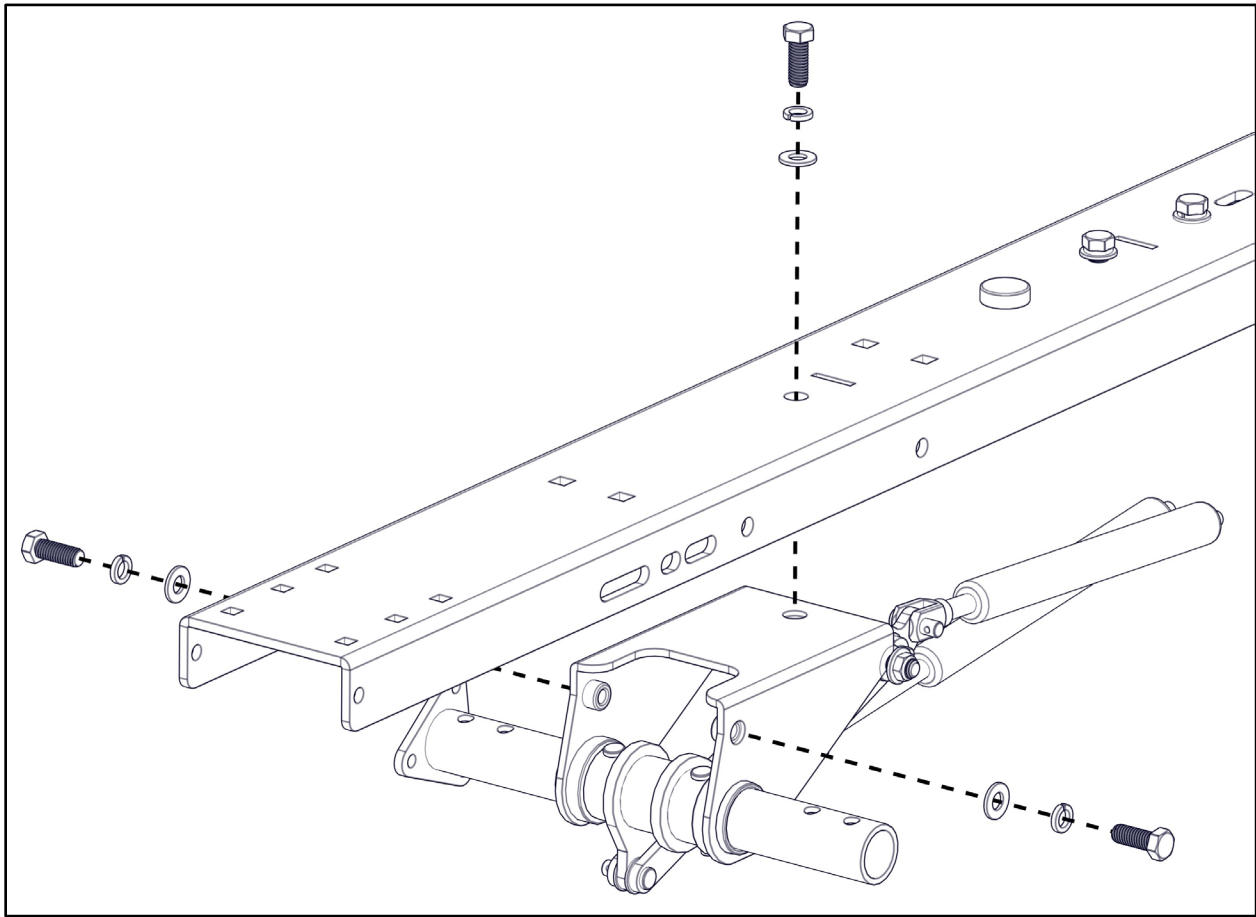
Step 5 – Install Damper Mount

- On the underside of the rear bow, install the damper mount in the location and orientation shown using the pre-assembled 3/8" hardware.

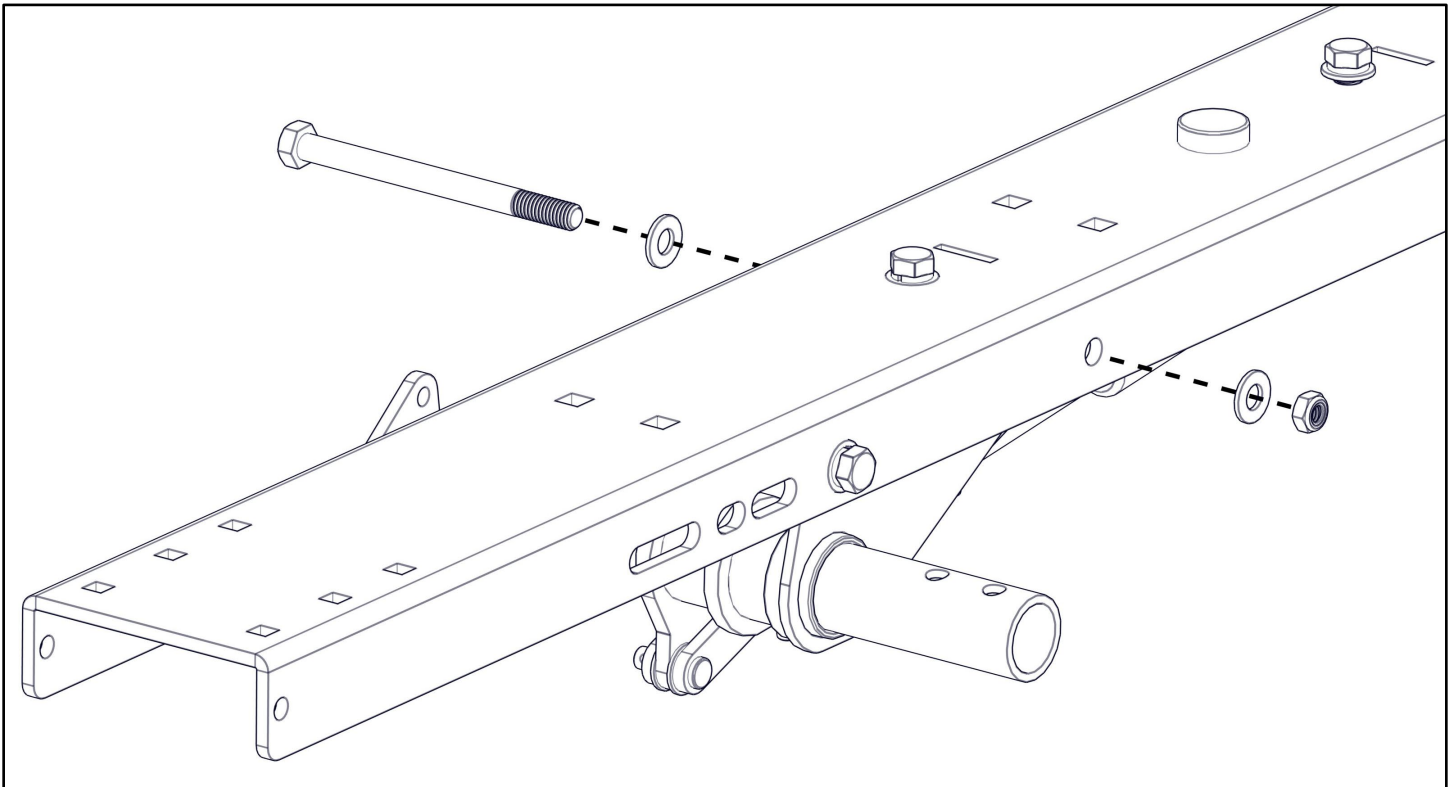


Step 6 – Install Damper Assembly

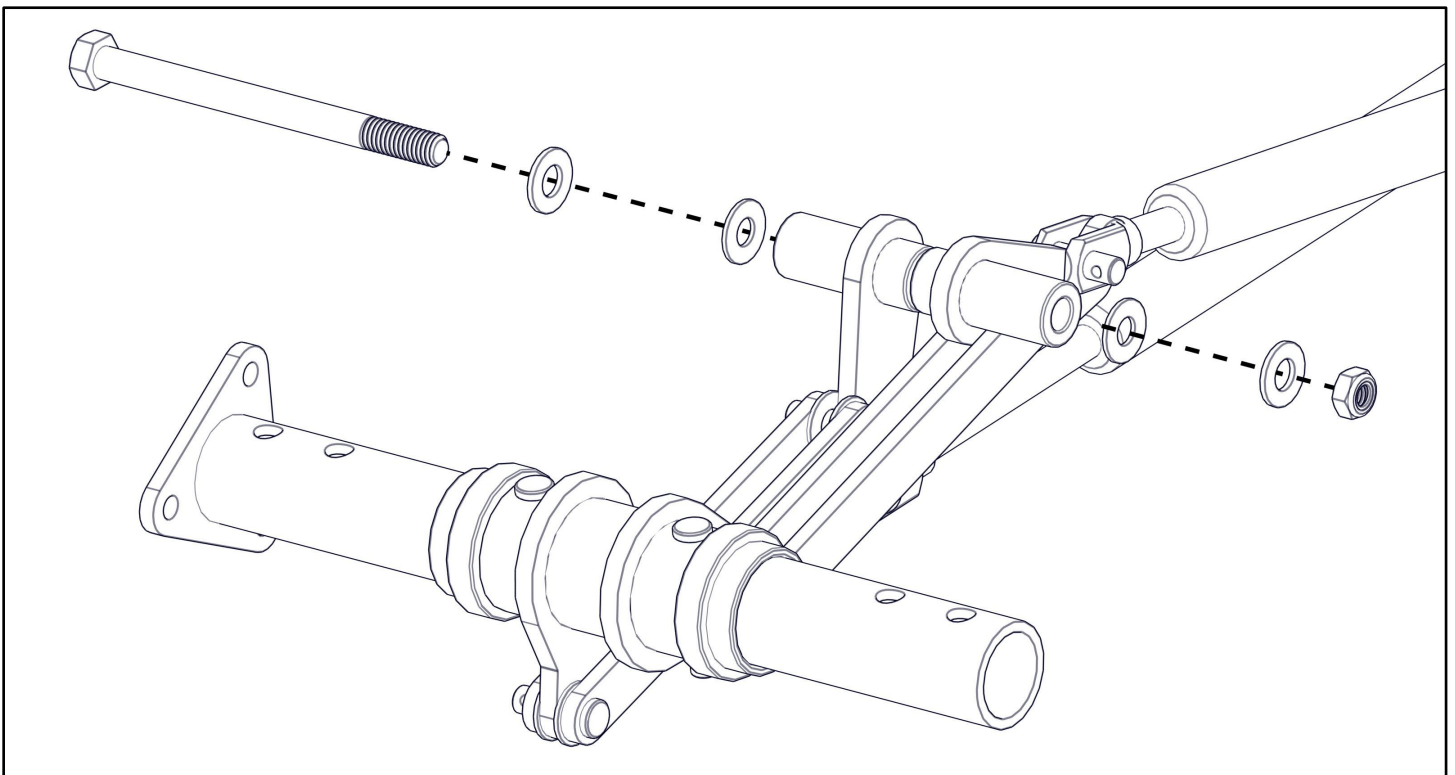
- Along the rear bow, install the damper assembly using the pre-assembled 3/8" hardware in the location shown.



- Attach the damper cantilever mechanism to the bow using the pre-assembled hardware as shown. Be sure to keep the nylon washers in the correct locations. One goes in between the two damper mounts and one in between each damper mount and the bow.

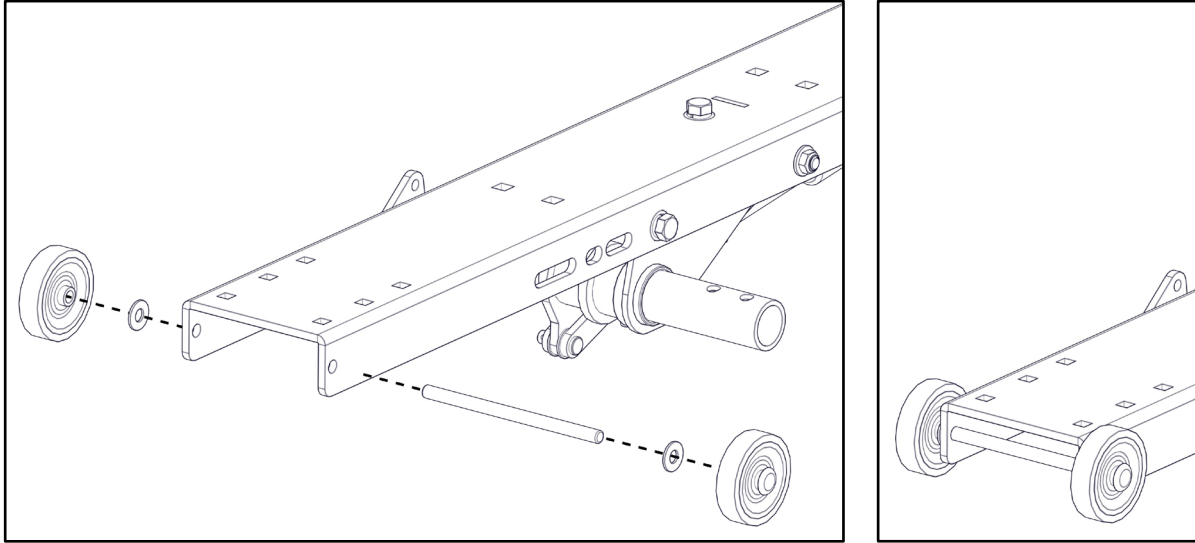


(picture shown below is without the bow)



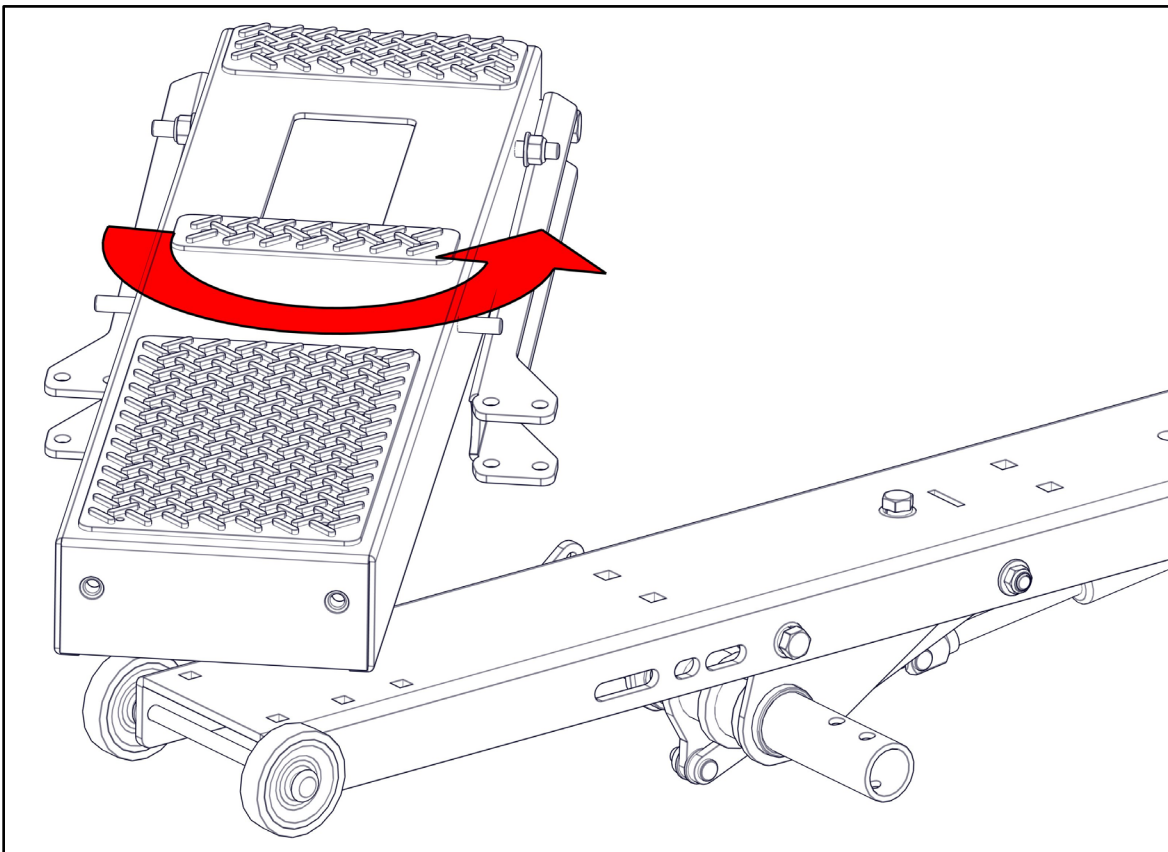
Step 7 – Install Rear Wheels

- Slide the axle into the end of the rear bow.
- Place a nylon washer and a wheel on each end of the axle as shown.
- While installing the pan, be sure the wheels stay in position.

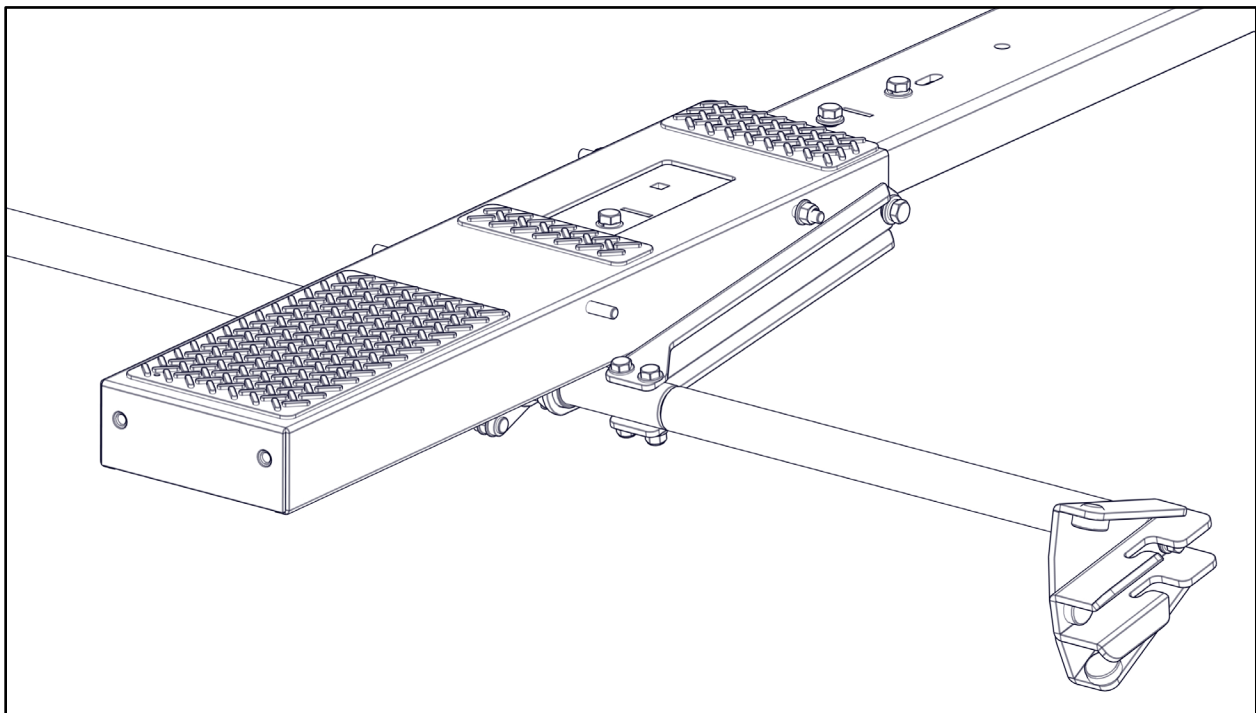
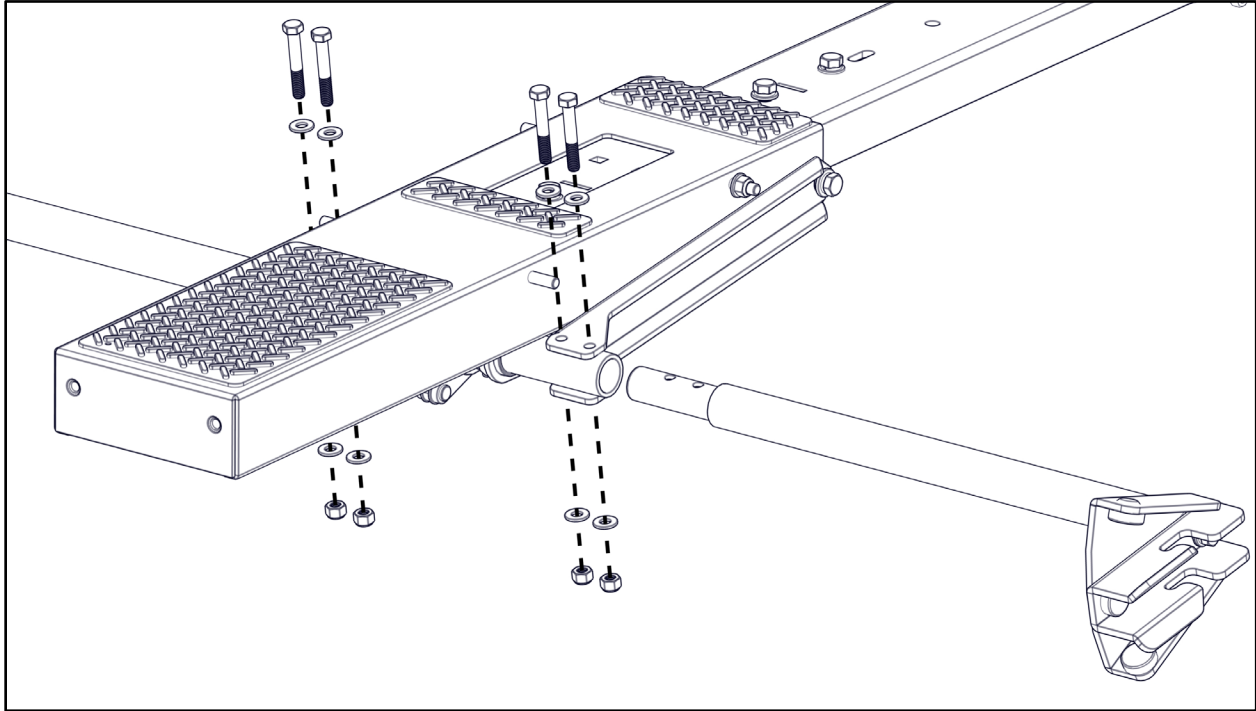


Step 8 – Install Rear Pan

- Remove the hardware from the arms in the pan.
- Rotate the pan and place over the previously installed wheels. Position the pan so it is parallel with the bow.

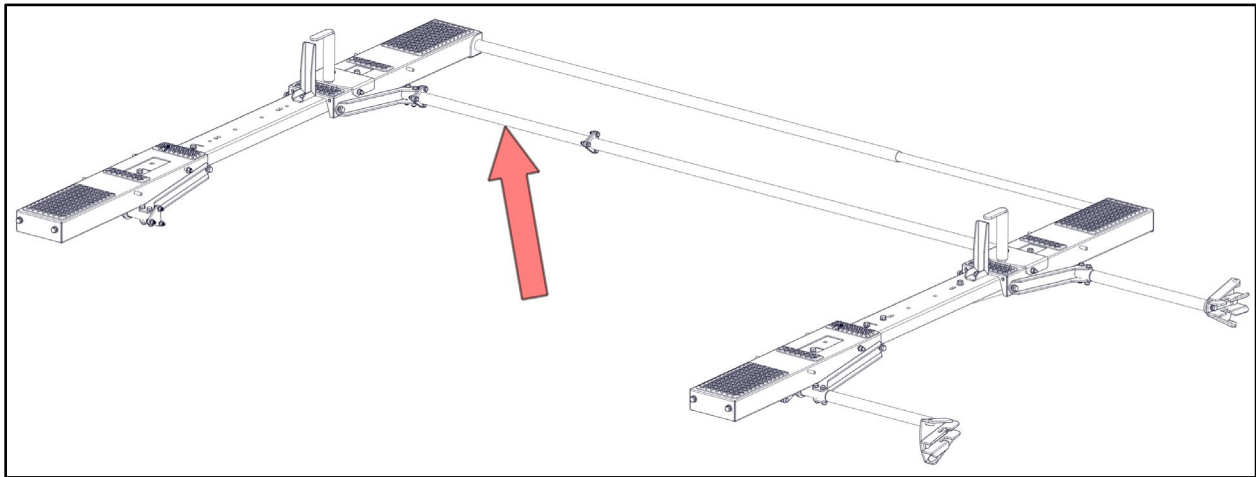


- Place the arms around the tube from the front bow mechanism.
- Insert handle assembly into the rear of the damper mechanism.
- Replace the hardware to attach the pan and handle assembly to the rear bow mechanism.

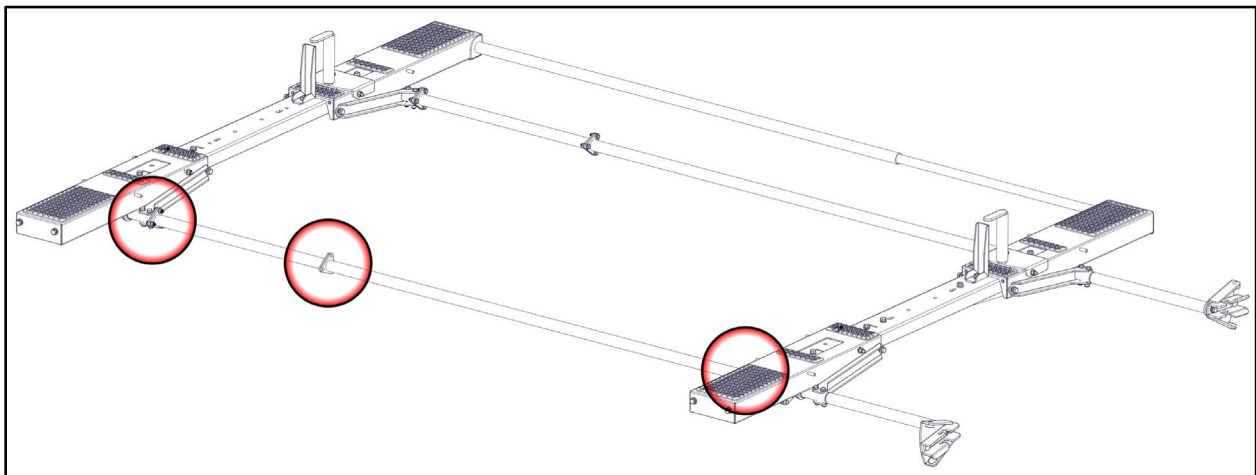


Step 9 – Install Torque Tube

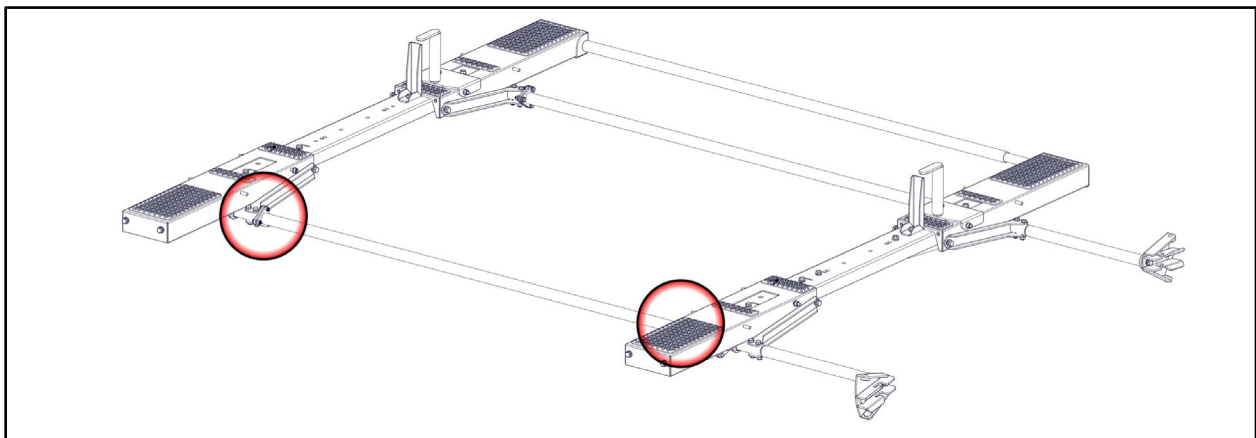
- Look at the passenger side of the rack. Notice if the extension on the torque tube is being used.



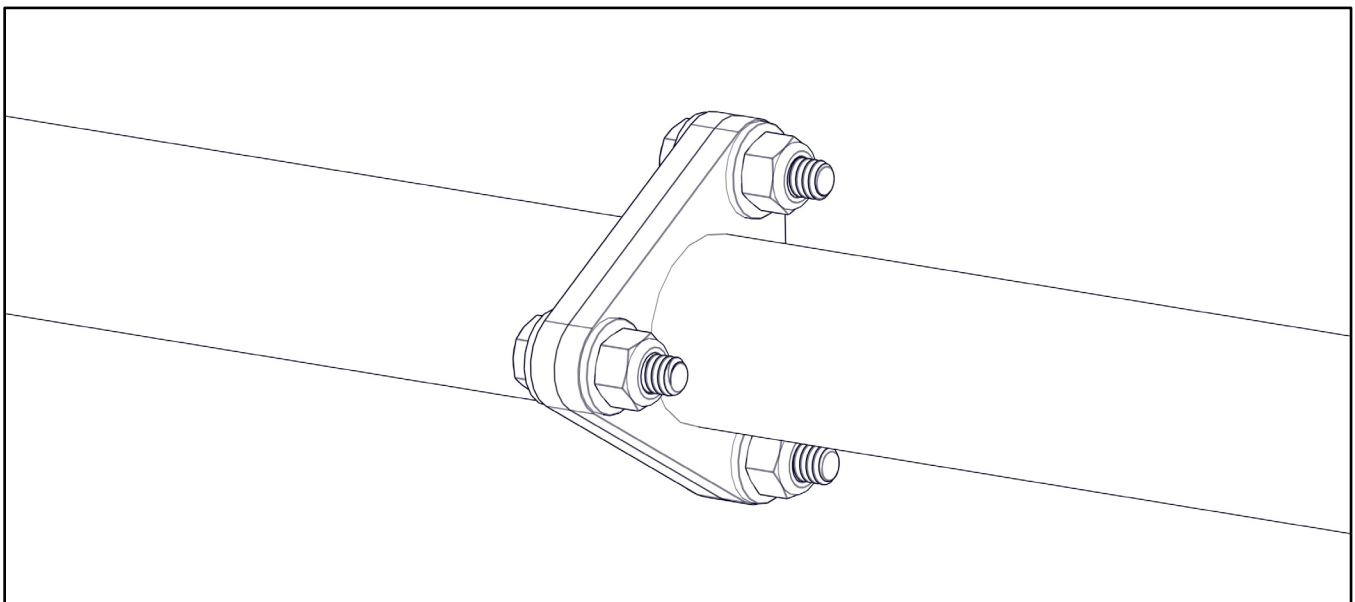
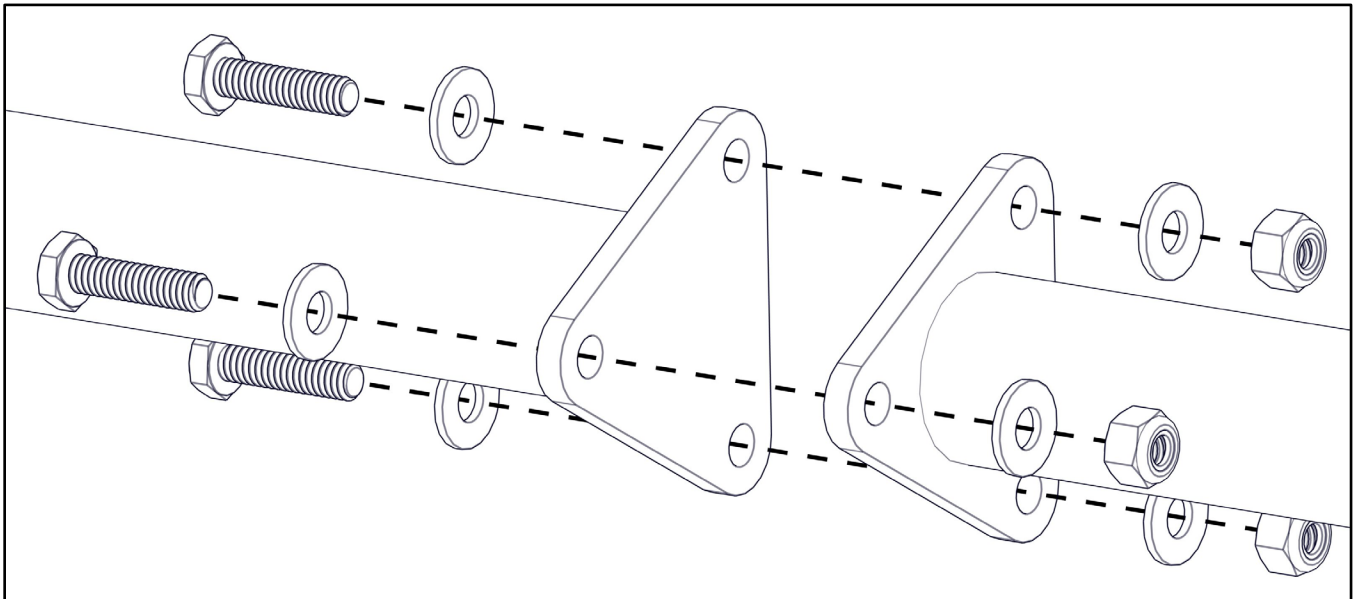
- If the extension is needed, assemble the extension to the torque tube the same way the torque tube attaches to the bows.



- If the extension is **NOT** needed, use only the torque tube as shown below.

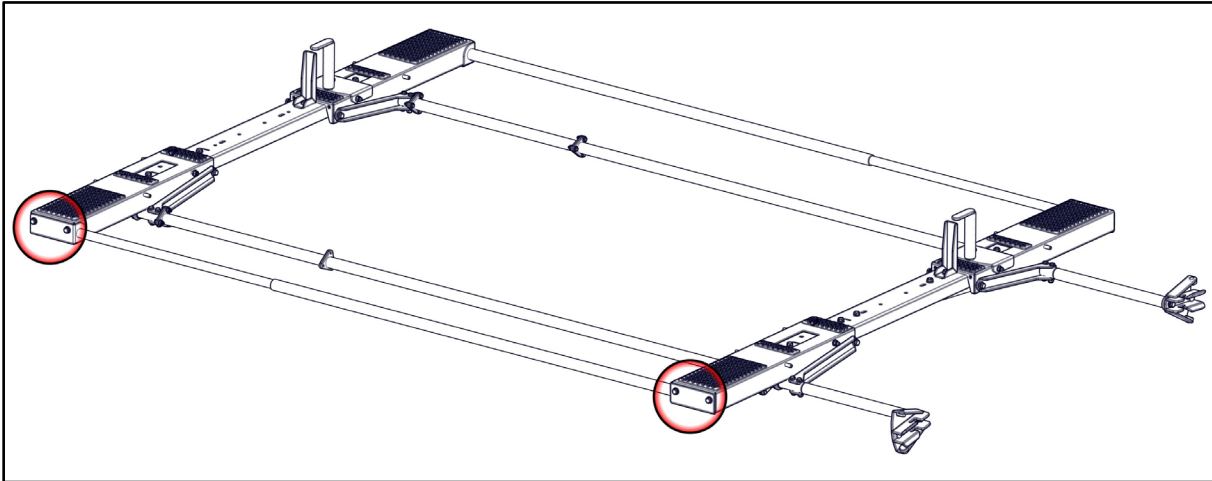


- Bolt the torque tube to the front and the rear bow using 1/4"-20 x 1" hex head bolt, two 1/4" flat washers and 1/4"-20 nyloc nut at each location. If the extension is used, bolt together using the same method.

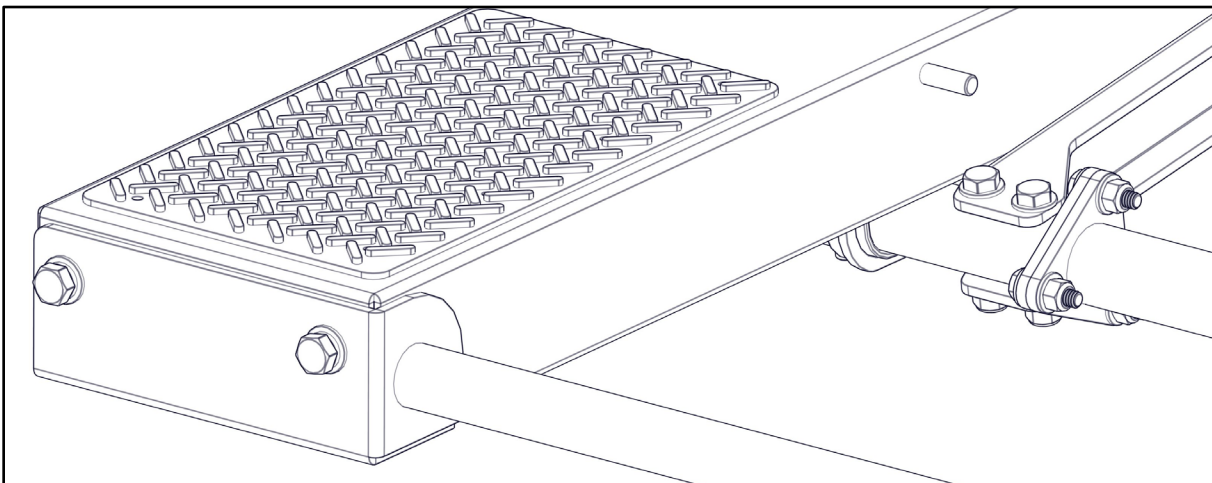
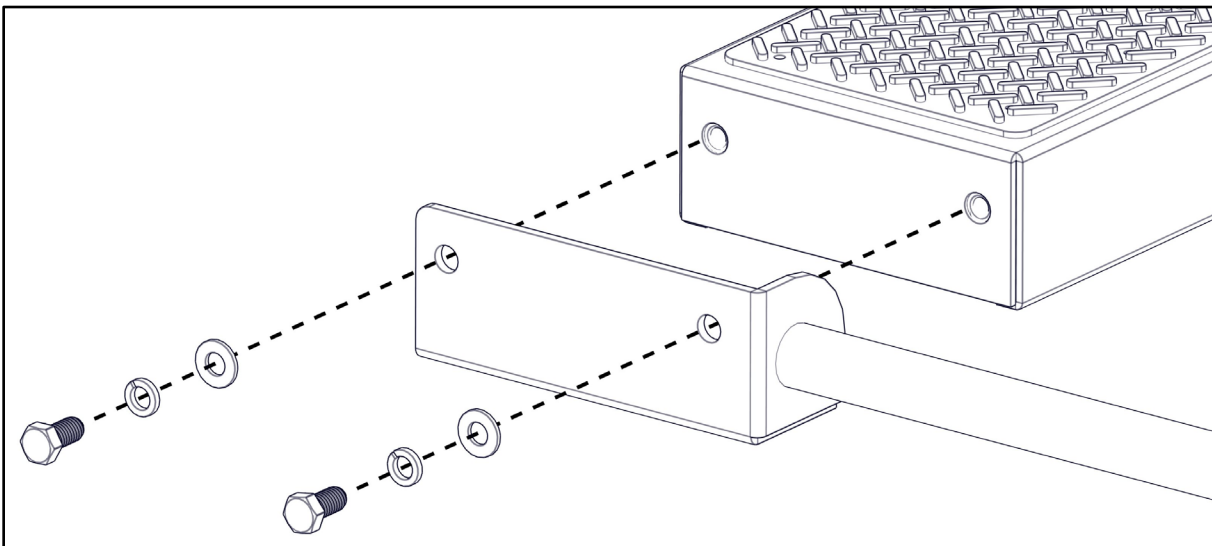


Step 10 – Install End Tube

- Attach the end tube to the end of both bows using 3/8" x 3/4" hex head bolts, 3/8" split lock washers and 3/8" flat washers in the orientation shown.
- Repeat at the end of both bows.



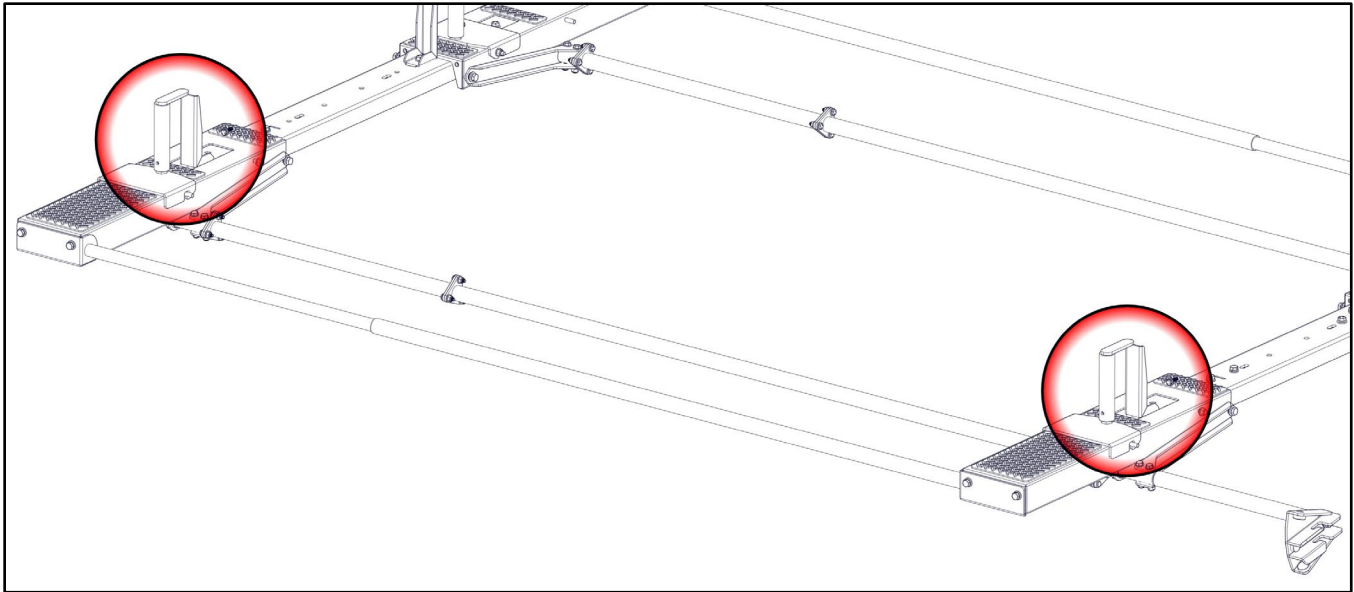
Front Bow Shown Below



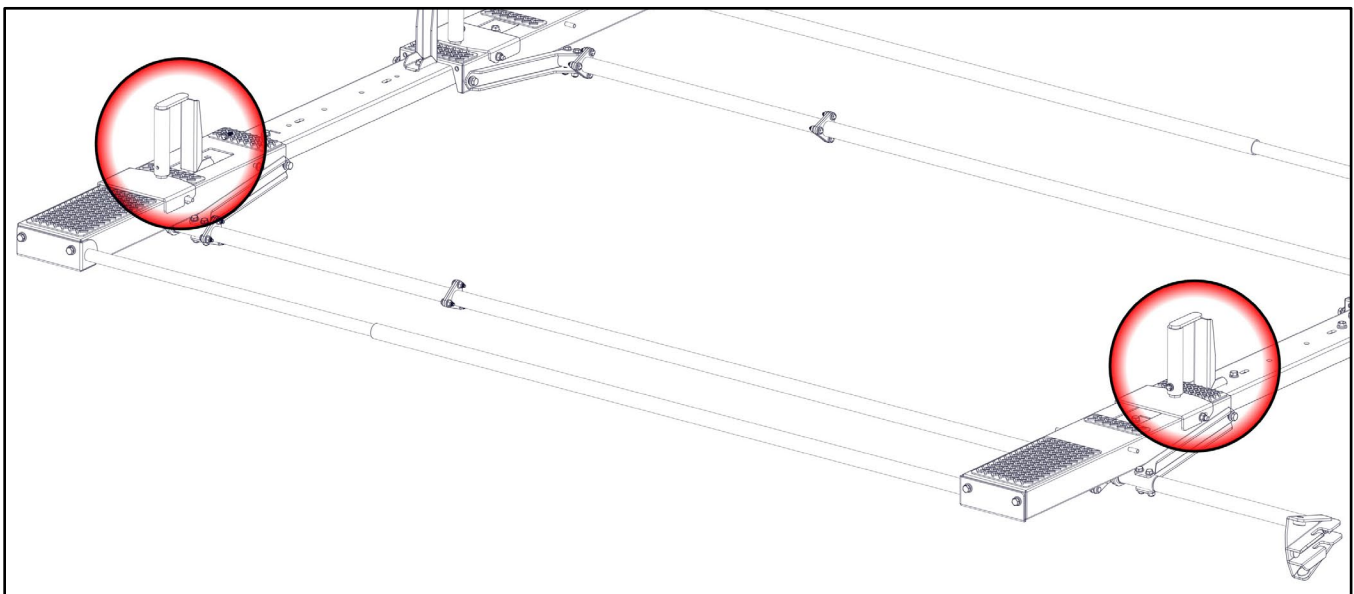
Step 11 – Install Ladder Clamps and Stops

- Determine the location the ladder bow and stop will need to be installed.

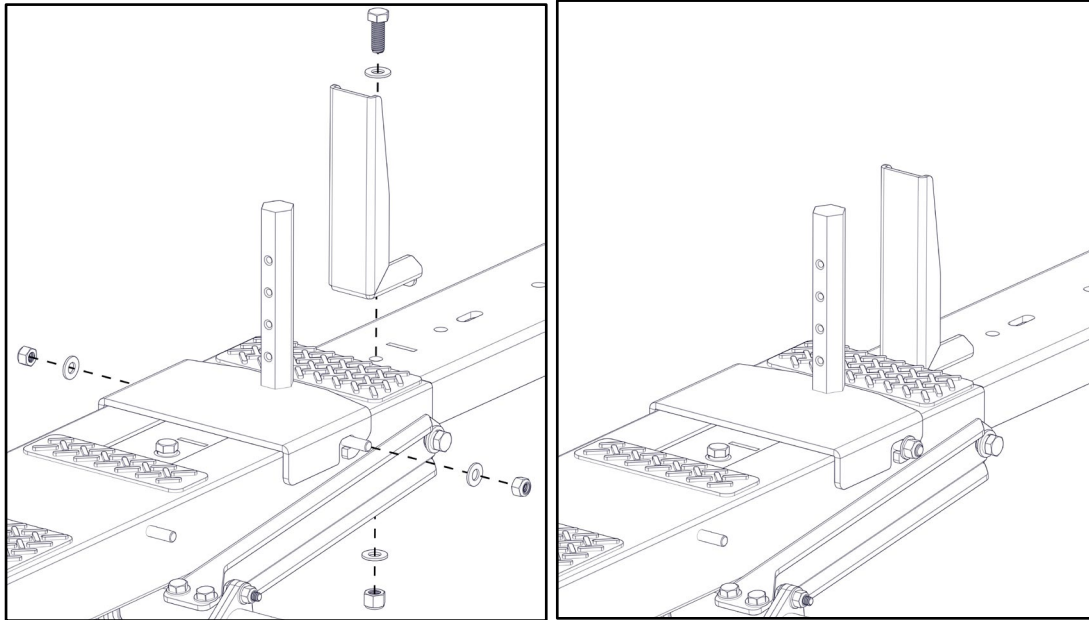
Location of ladder clamps and stops for standard extension ladders shown below.
(Both towards the end of the bow)



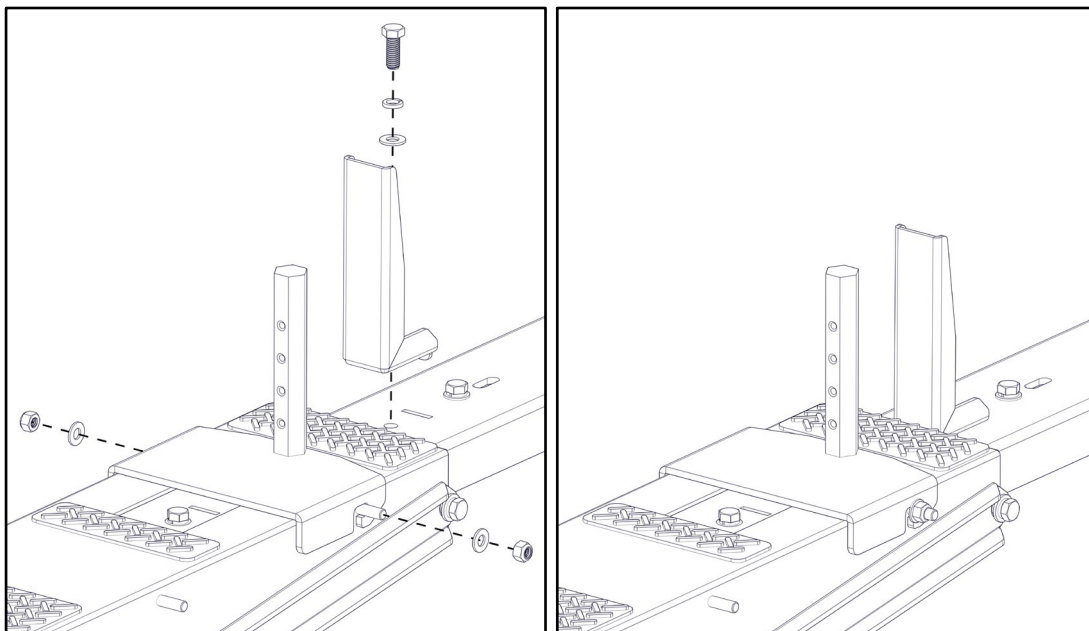
Location of ladder clamps and stops for standard step ladders shown below.
(Front bow in the low position, rear bow in the upper position)



- On the front bow, position the ladder stop in the desired location.
- Bolt the ladder stop in place using a 3/8" x 1" hex head bolt, two 3/8" flat washer and a 3/8" nyloc nut in the orientation shown. Be sure the slot of the ladder stop aligns with the slot in the bow.
- Place the ladder hook base around the threaded studs near the ladder stop and attach using 5/16" flat washers and 5/16" nyloc nuts.

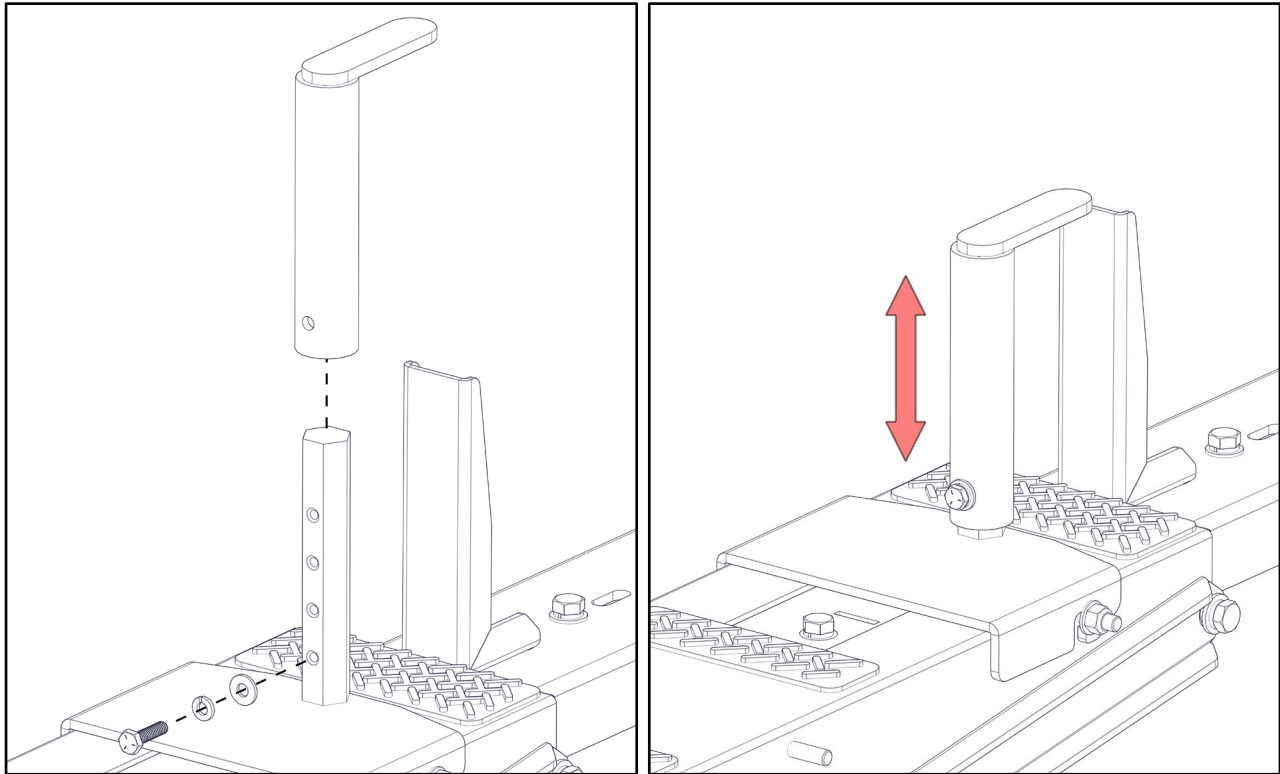


- On the rear bow, position the ladder stop in the desired location.
- Bolt the ladder stop in place using 3/8" x 1" hex head bolt, 3/8" split lock washer and a 3/8" flat washer in the orientation shown. Be sure the slot of the ladder stop aligns with the slot in the bow.
- Place the ladder hook base around the threaded studs near the ladder stop and attach using 5/16" flat washers and 5/16" nyloc nuts.



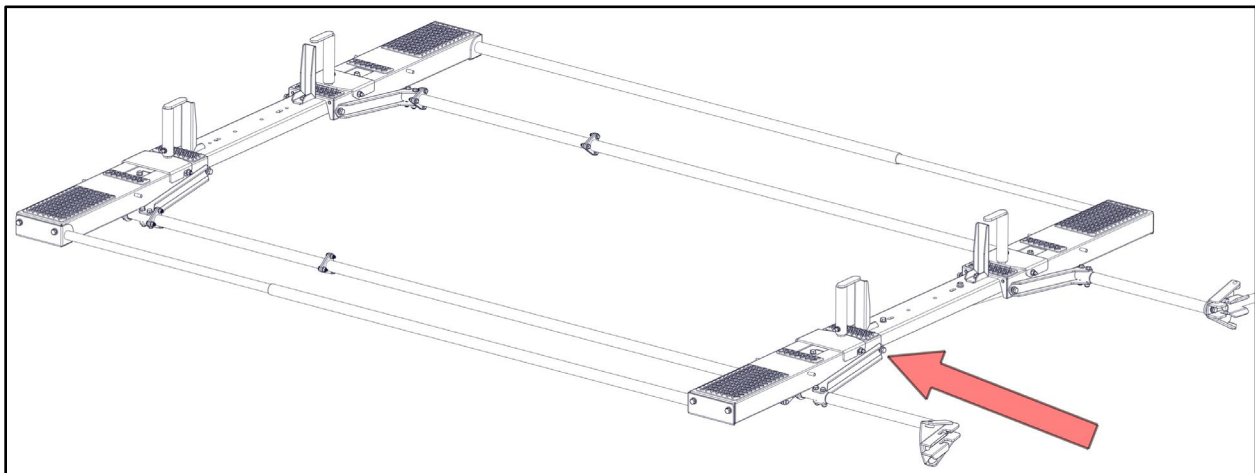
Step 12 – Install Ladder Hooks

- Install the ladder hooks on the front and rear bows. Place the ladder hook over the previously installed ladder hook base and attach using 1/4" x 1" hex head bolts, 1/4" split lock washers and 1/4" flat washers in the desired location. This location is dependent on the size of the ladder being used. Adjust so the ladder hook fits the ladder as tight as possible.

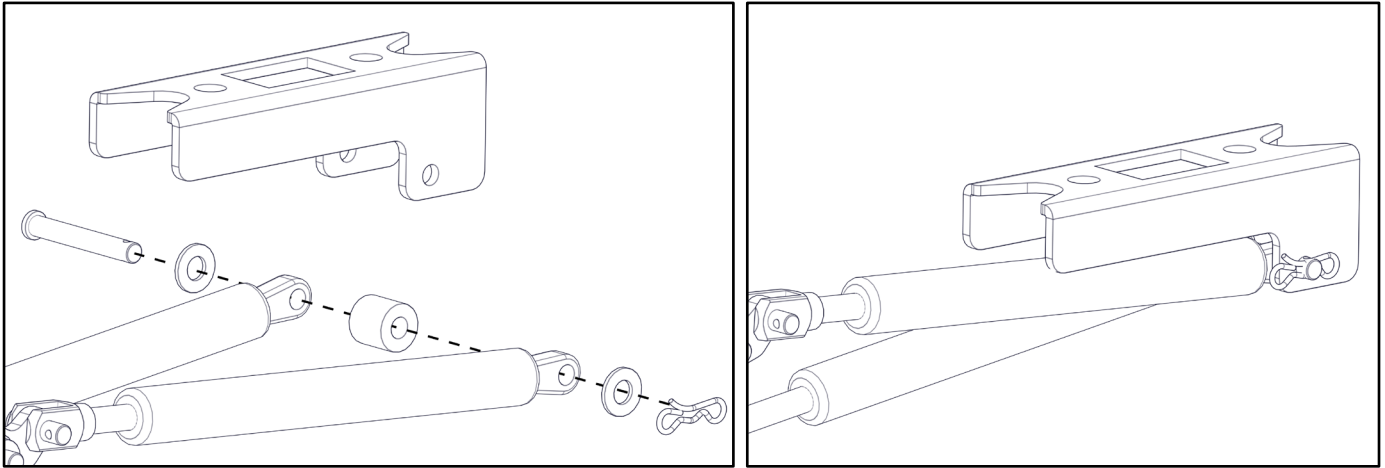


Step 13 – Attach Dampers

- Locate the dampers on the underside of the rear bow.



- Remove the pin and spacer. Attach the dampers to the damper mount. The nylon washers go in between the bracket and the dampers. Use the handle to pivot the bow if necessary, to attach. Be sure to replace the pin.



SQUARE AND POSITION THE RACK

START BY TIGHTENING THE FEET TO THE VEHICLE AND
MOVING UPWARD AND OUTWARD ON THE RACK

INSTALLATION IS NOW COMPLETE

