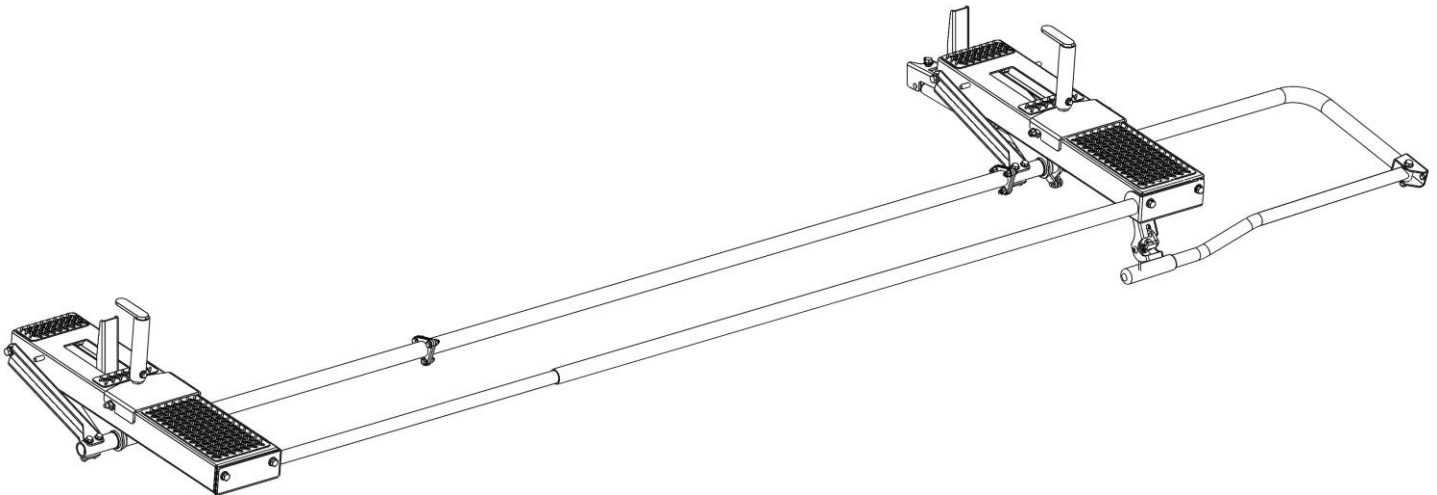


Holman

Instruction Guide

4A96L



Holman
Rancho Cordova, CA 95742
800-343-7486
InstallationSupport@Holman.com

PLEASE READ ALL INSTRUCTIONS AND WARNINGS PRIOR TO ASSEMBLING, INSTALLING, AND USING THIS PRODUCT.

Warning



Always check for wires, fuel tanks and lines, brake lines and other important vehicle functionality items prior to drilling and installing all products.

Tools Needed

1/2" Wrench and Socket	3/8" Wrench and Socket
9/16" Wrench and Socket	7/16" Wrench and Socket

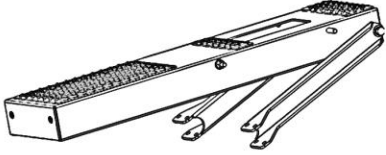
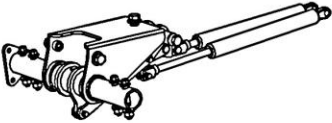
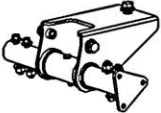
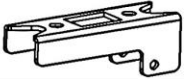
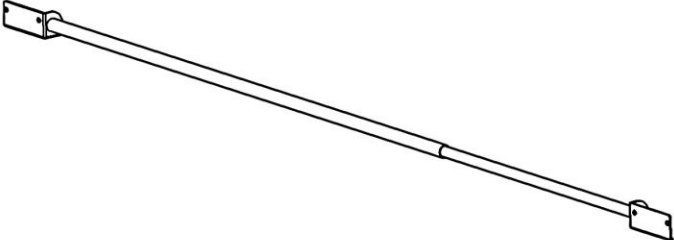
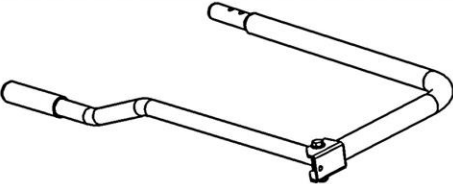
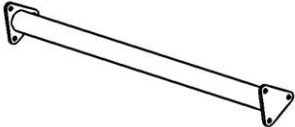
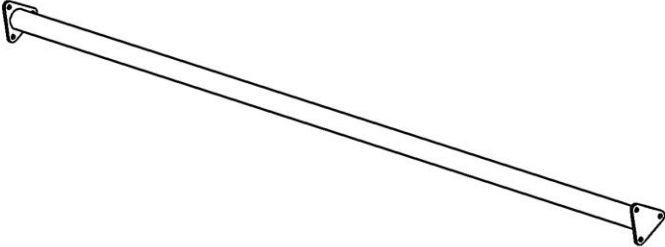
Table of Contents

Parts	2
Hardware	3
Step 1 – Load Plates	5
Step 2 – Install Latch Assembly	5
Step 3 – Rear Bow Damper Mount	6
Step 4 – Install Rear Bow Damper Mechanism	7
Step 5 – Rear Wheel Assembly	8
Step 6 – Install Rear Pan	8
Step 7 – Install Front Pan Mechanism	10
Step 8 – Front Wheel Assembly	11
Step 9 – Remove Bolts	11
Step 10 – Install Front Pan	12
Step 11 – Front Bow Ladder Stop	13
Step 12 – Determine if Extension is Required	13
Step 13 – Attach Torque Tube	14
Step 14 – Install End Tube	14
Step 15 – Assemble Ladder Hooks	15
Step 16 – Install Ladder Hooks	16
Step 17 – Install Handle	17

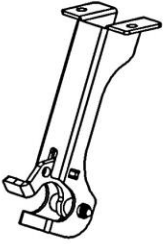
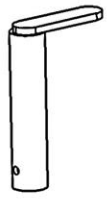
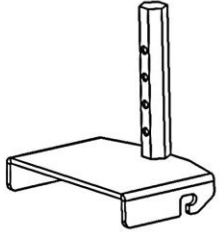

Before You Begin

- Read all instructions prior to assembling or installing any Holman product.
 - **Always locate your installation locations prior to performing any work.**
 - **Have rack already installed on vehicle. This product is a driver side drop down addition.**
-

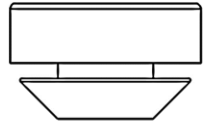

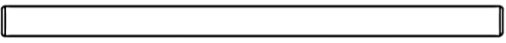
Parts

ITEM NO.		PART NUMBER	DESCRIPTION	QTY.
A		4A93L-10	ASSEMBLY, BOW, PAN, LADDER RACK, ALUMINUM	2
B		4A93L-11	MECHANISM, ASM, WITH DAMPERS	1
C		4A93L-12	MECHANISM, ASM	1
D		4A900-50-001-R3	DAMPER MOUNT BLOCK	1
E		4A93L-7	END TUBE ASM	1
F		4A93L-71	HANDLE ASM	1
G		4A93L-51	TORQUE TUBE ASM, EXT	1
H		4A93L-50	WELDMENT, TORQUE TUBE, STEEL, 71.5" SPACING, LOW ROOF DROP DOWN	1

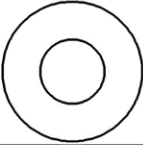

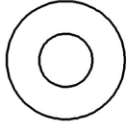


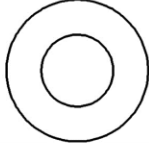

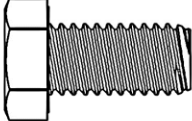
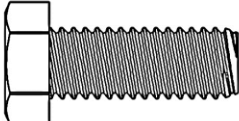
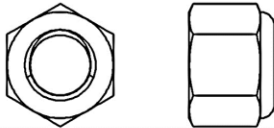
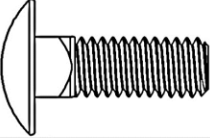

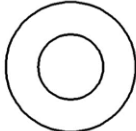
Parts (Continued)

ITEM NO.		PART NUMBER	DESCRIPTION	QTY.
J		4A93-44-R1	LATCH ASM	1
K		4A900-35	LADDER HOOK ASM	2
L		4A900-36	LADDER HOOK BASE ASM	2
M		4A900-30-004-R3	LADDER STOP	2

Hardware

ITEM	HARDWARE TO SCALE	PART NUMBER	DESCRIPTION	QTY.
1			1"x5/16" Rubber Bumper	2
2			WHEEL, POLYURETHANE, 2 1/4" X 9/16"	4
3			Axle	2

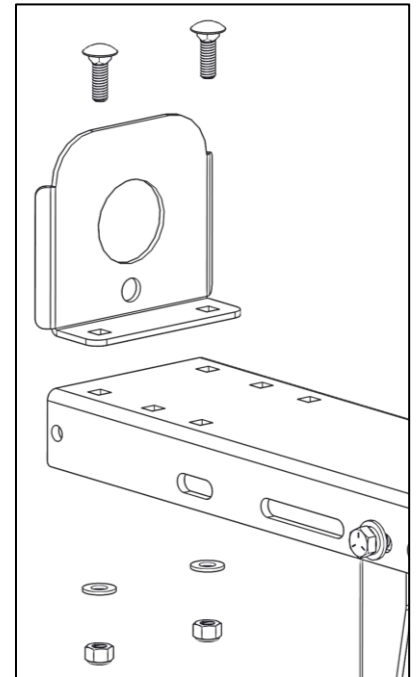
Hardware (Continued)

ITEM	HARDWARE TO SCALE	PART NUMBER	DESCRIPTION	QTY.
4			.05x.34x.75 Nylon Washer	4
5			BOLT, HEX, 1/4-20 x 1"	11
6			1/4 Flat Washer	20
7			1/4-20 LOCK NUT	9
8			1/4 Lock Washer	2
9			3/8" Flat Washer	8
10			3/8 LOCK WASHER	6
11			BOLT, HEX, 3/8-16 X .75"	4
12			3/8-16 x 1" HEX BOLT	3
13			3/8-16 LOCK NUT	1
14			5/16"-18 X 1" CARRIAGE BOLT	2
15		0169777	5/16"-18 LOCK NUT	2
16		11545144	5/16" FLAT WASHER	2
17		BH-821	Sealant	1

DO NOT EXCEED MANUFACTURERS WEIGHT CAPACITY FOR ROOF

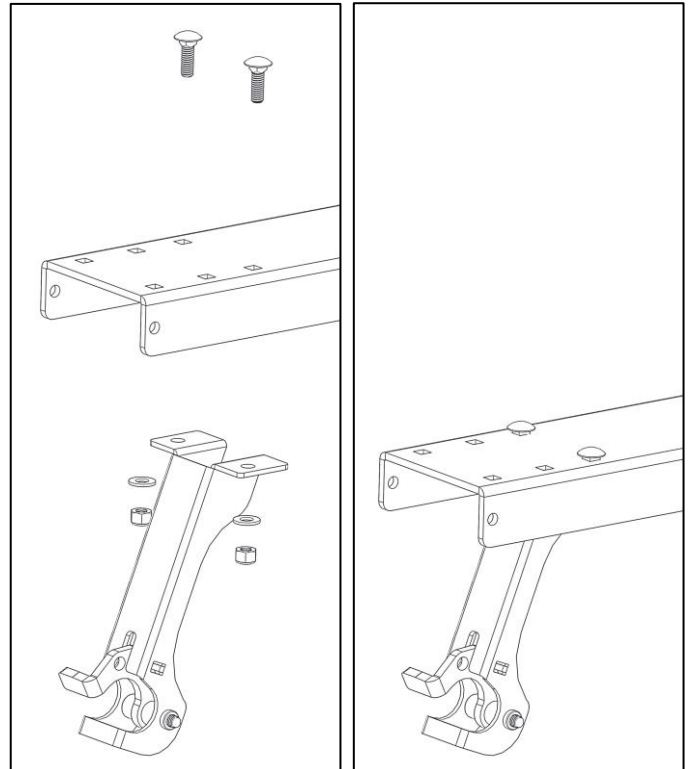
Step 1 – Load Plates

- If installed, remove load plates at the end of each bow, opposite from the passenger side pan mechanism.
- Repeat on both bows.



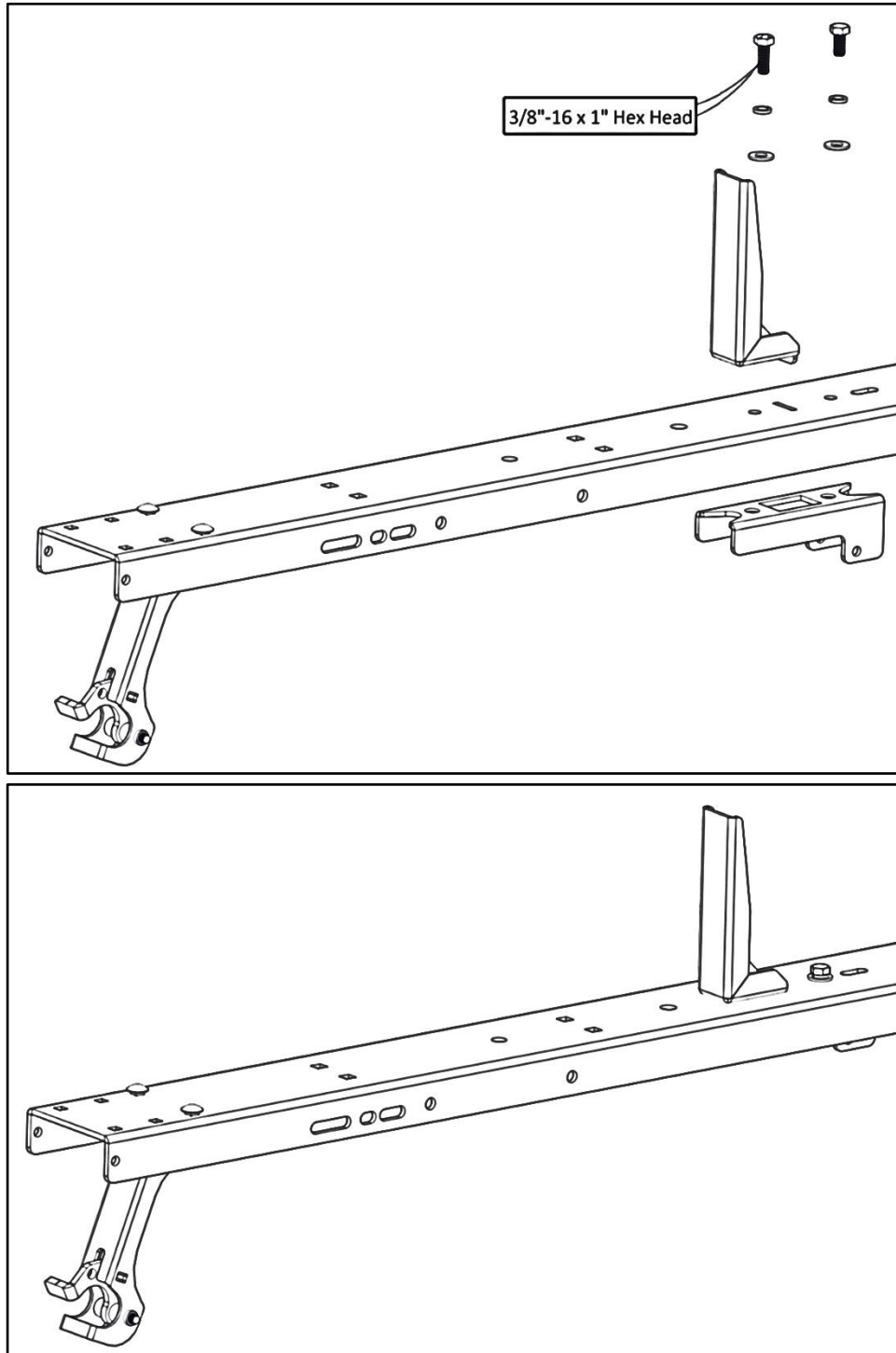
Step 2 – Install Latch Assembly

- At the end of the rear bow, mount latch assembly in the squares shown.
- Use the 3rd set of square holes from the end of the bow.
- Mount using two 5/16" x 1" carriage bolts, two 5/16" flat washers and two 5/16" lock nuts.



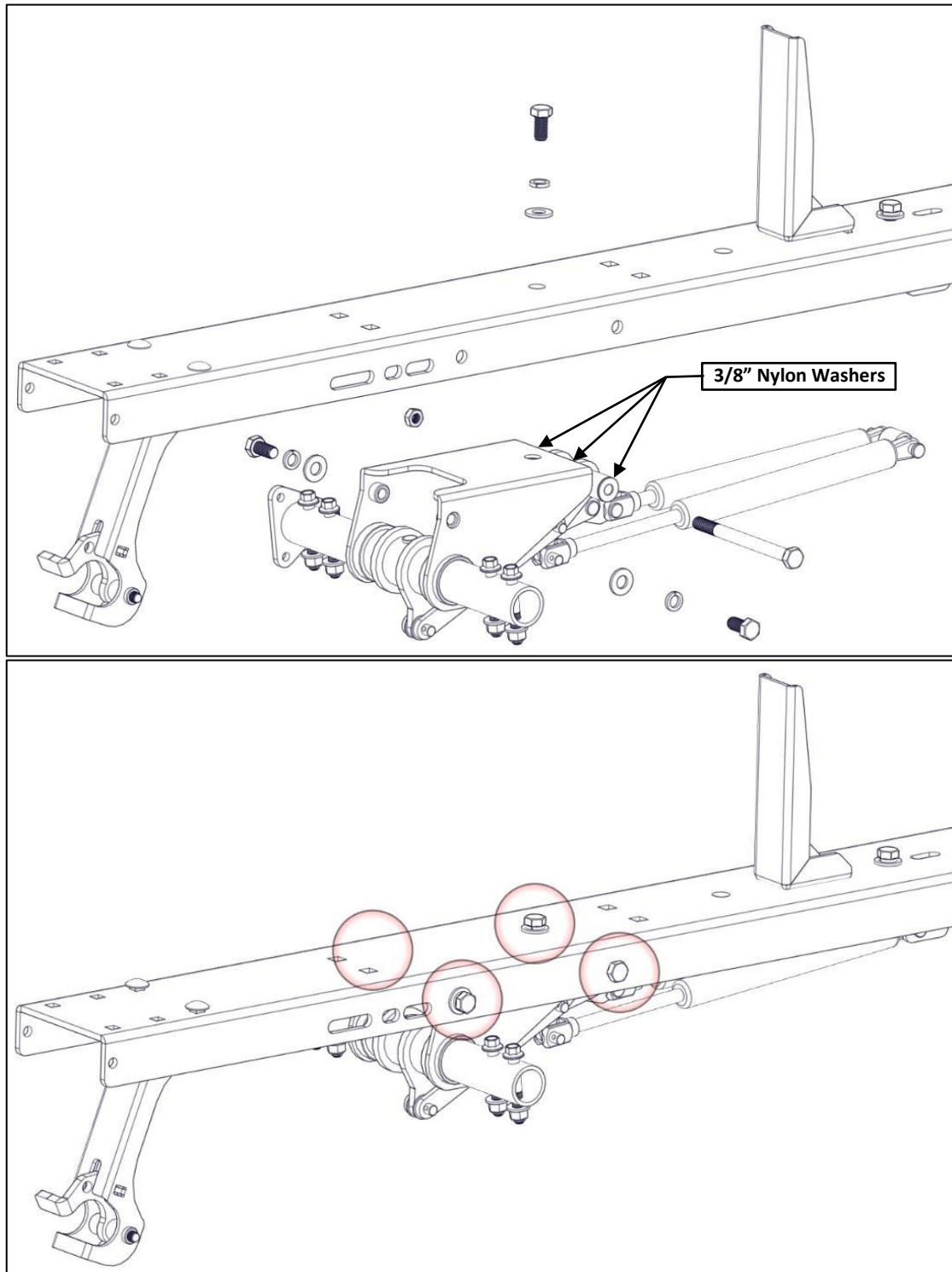
Step 3 – Rear Bow Damper Mount

- Mount damper mount to the under side of the rear bow in the location shown.
- Mount the ladder stop on the top side of bow.
- When installing the ladder stop, be sure to use the longer, 3/8" x 1" hex head and 3/8" lock washer and 3/8" flat washer.
- At the other location, fasten using 3/8" x 3/4" hex head bolt, 3/8" lock washer and 3/8" flat washer.
- Snug tighten, but allow movement.



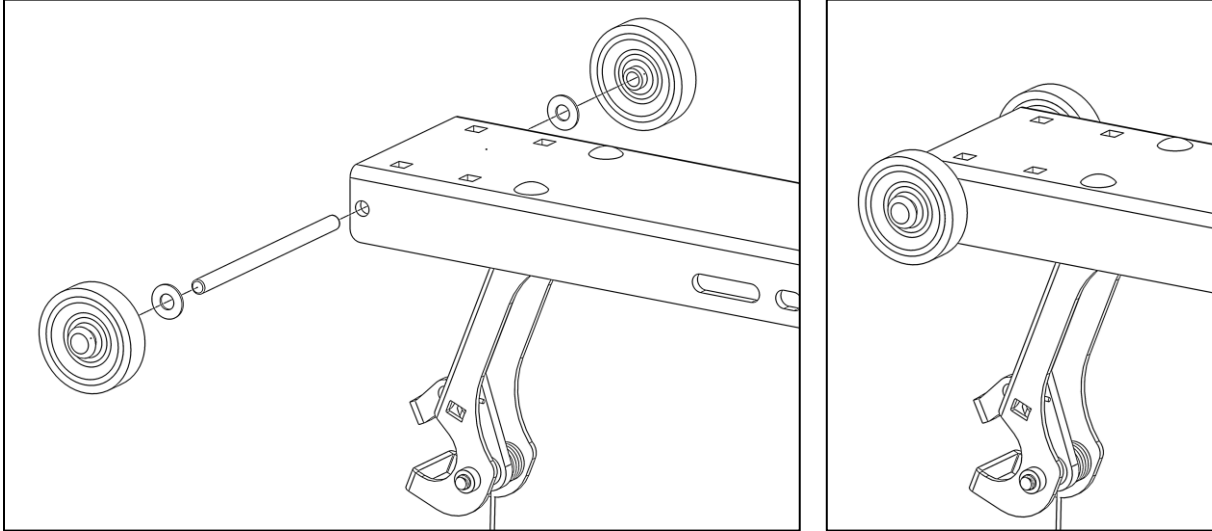
Step 4 – Install Rear Bow Damper Mechanism

- Mount damper mechanism to the underside of the rear bow in the location shown.
- Use the existing hardware found in the damper mechanism to mount.
- While using the 3/8" x 4-1/2" hex head bolt. Be sure not to lose the nylon washers.
- Snug tighten, but allow movement.



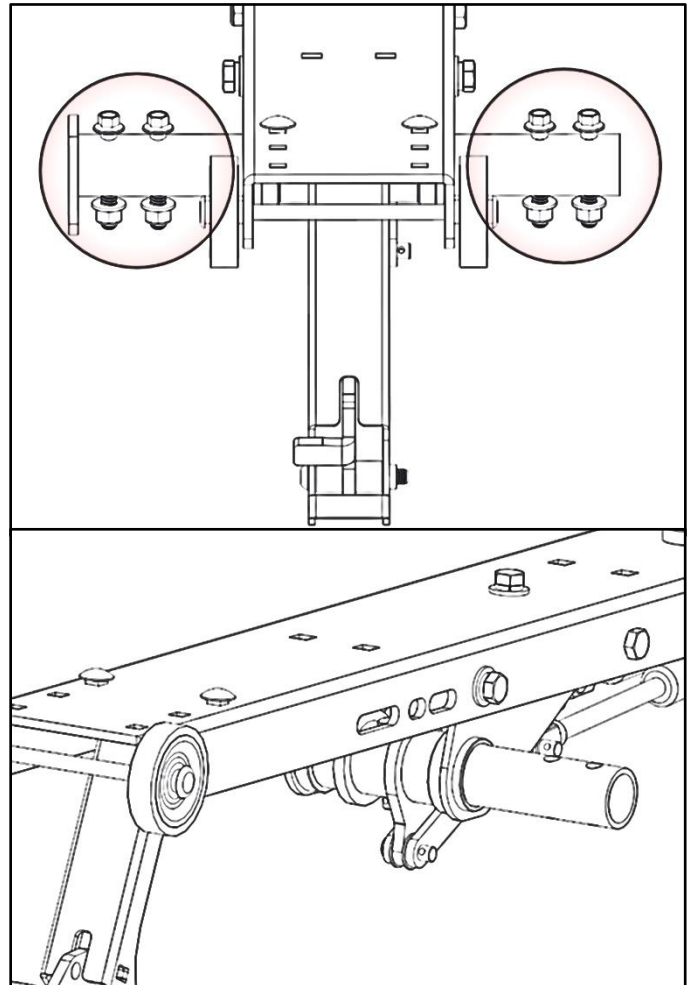
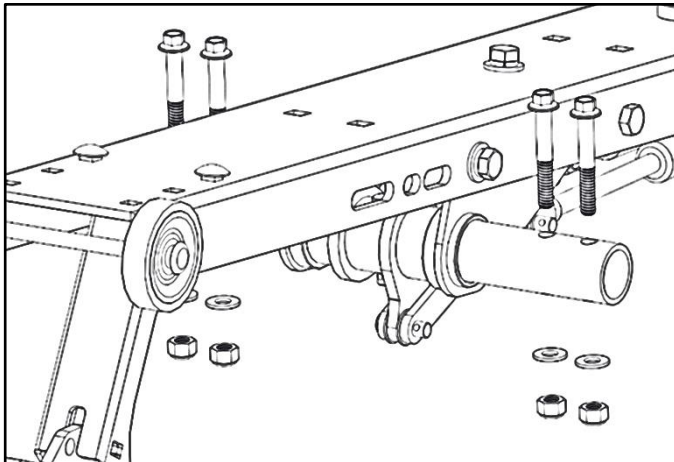
Step 5 – Rear Wheel Assembly

- Slide wheel axle in the end of the rear bow.
- Place a wheel on each end of the axle.
- **While placing the pan on the next step, be sure the wheel caps DO NOT come off.**

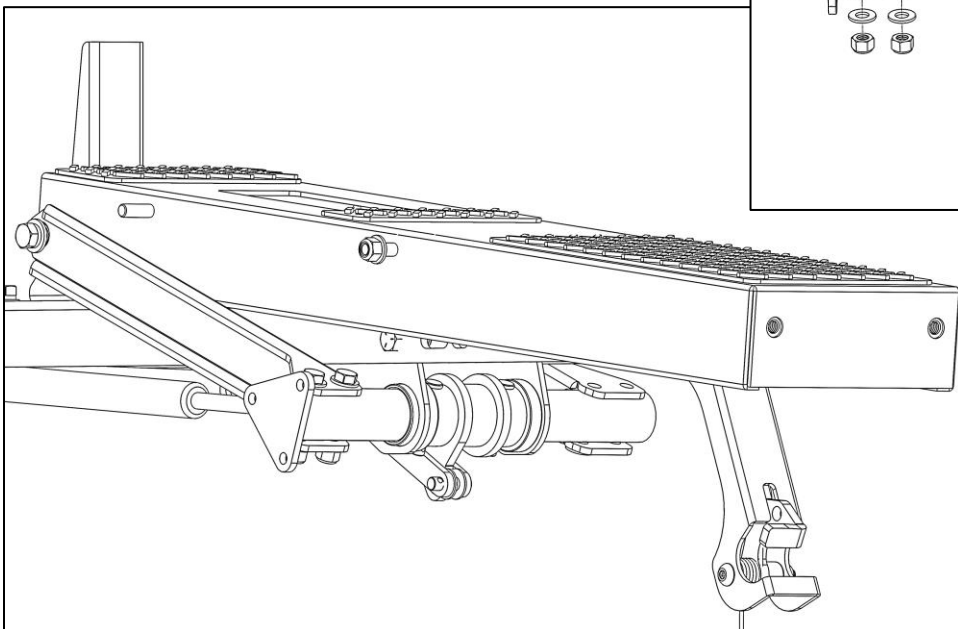
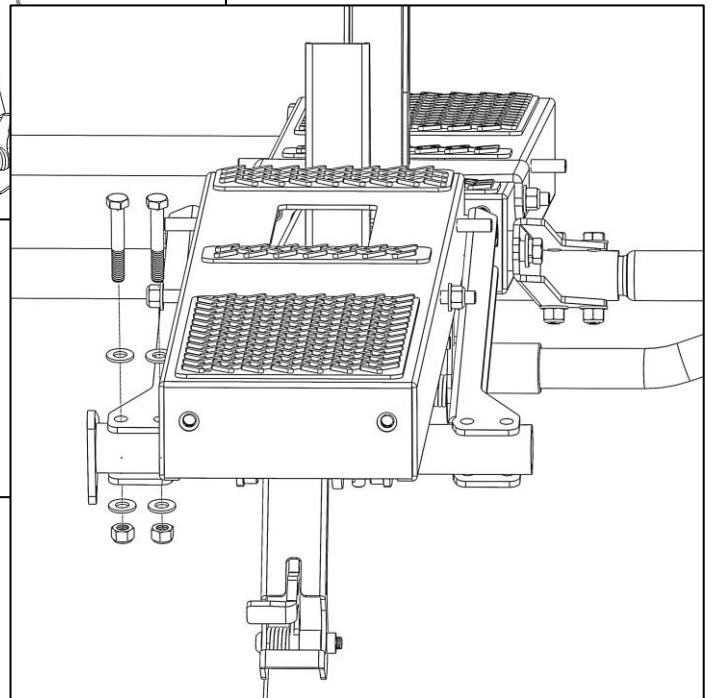
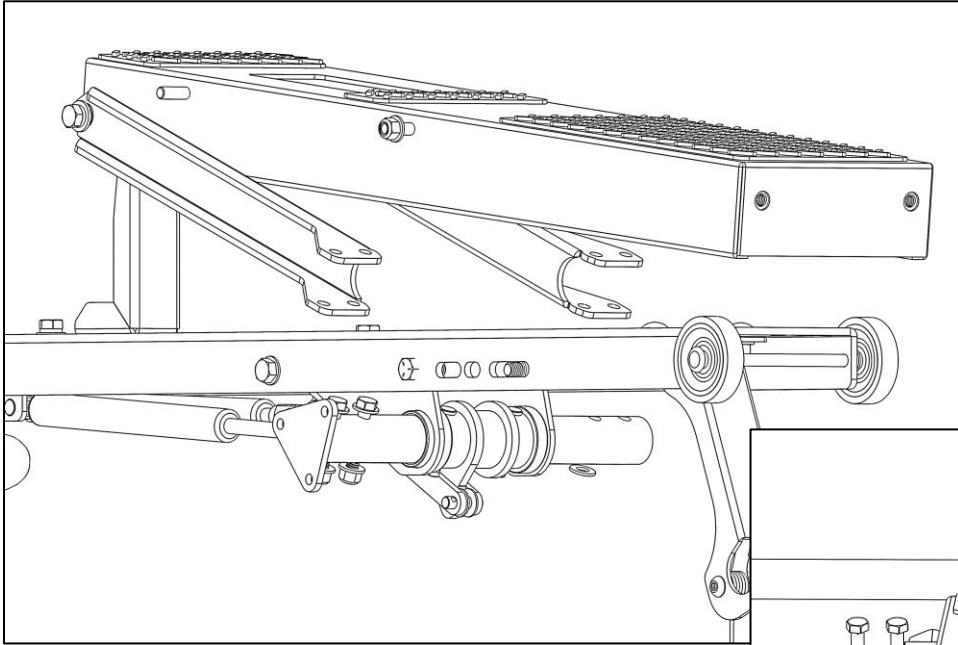


Step 6 – Install Rear Pan

- Remove hardware from the installed damper mechanism from step 4.

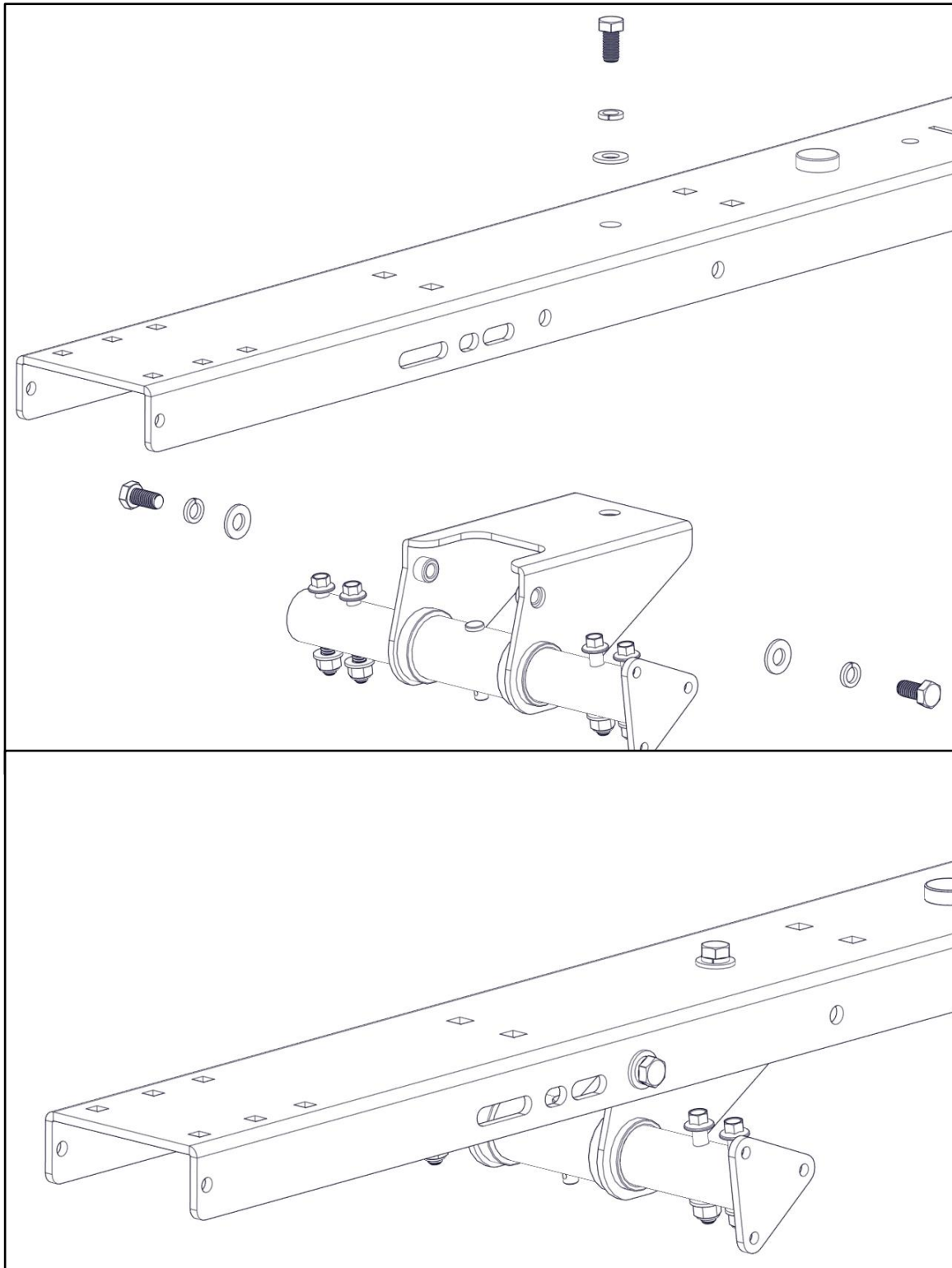


- Place rear pan on top of wheels and bow. Be sure the wheel caps DID NOT come off.
- Align the arms from the pan with the holes in the damper mechanism where the bolts were previously removed.
- Bolt together using hardware that was removed, only mount the front two bolts, leaving the holes to the rear as shown empty. The empty holes is for the handle installation.
- Snug tighten, but allow movement.



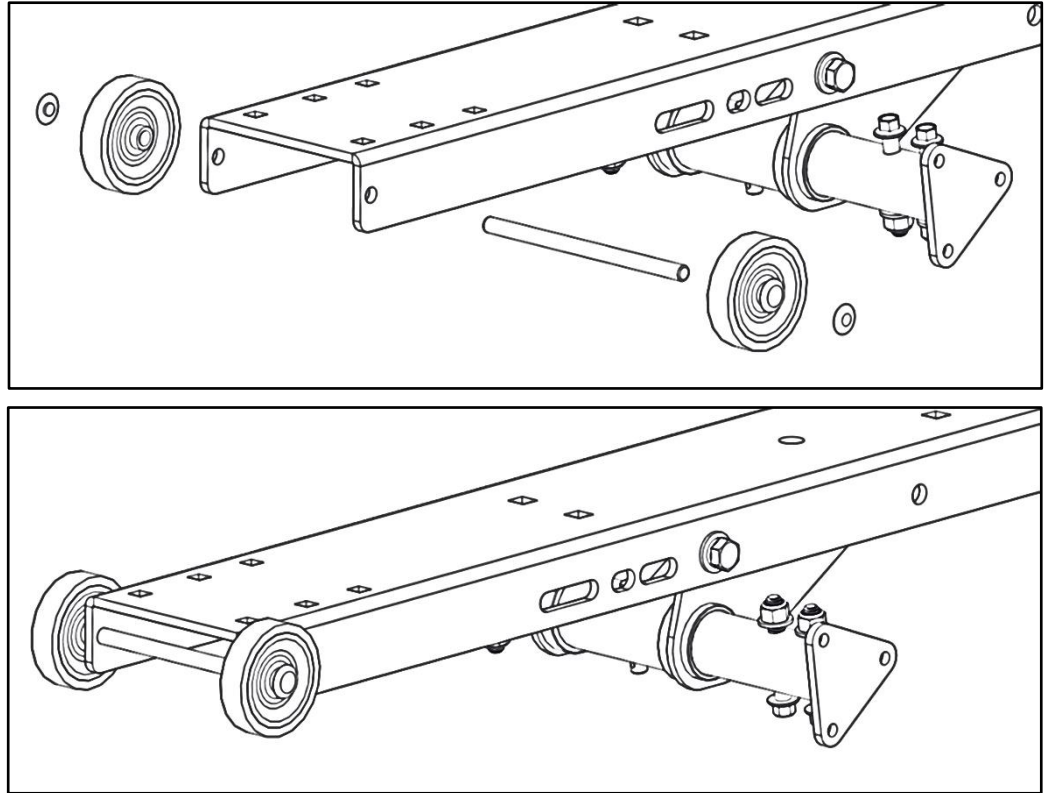
Step 7 – Install Front Pan Mechanism

- Mount mechanism to the underside of the front bow in the location shown. This is the mechanism that DOES NOT have the dampers.
- Use the existing hardware found in the mechanism to mount.
- Snug tighten, but allow movement.



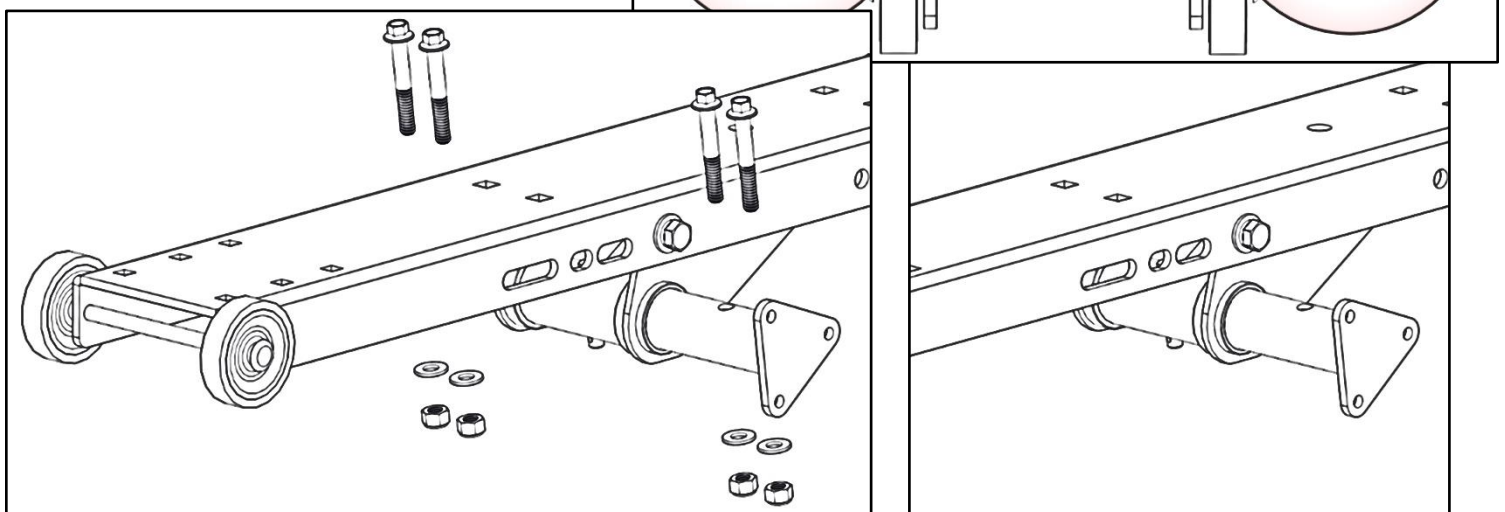
Step 8 – Front Wheel Assembly

- Install wheel assembly. Slide wheel axle in the end of the front bow. Place a wheel on each end of the axle.
- While placing the pan on the next step, be sure the wheel caps DO NOT come off.



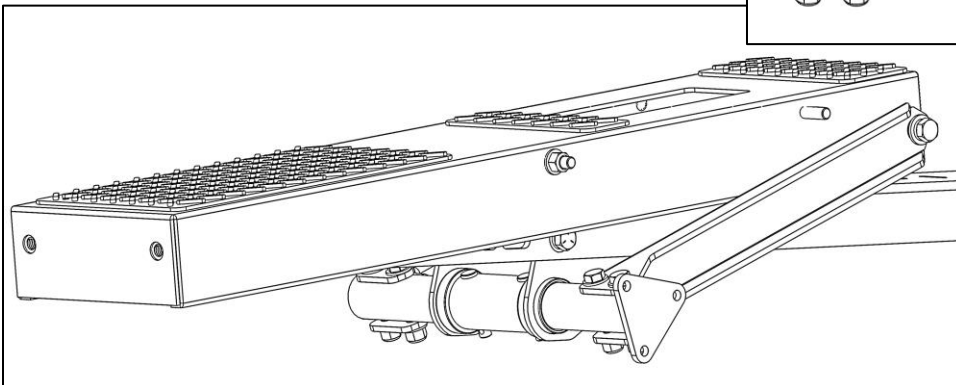
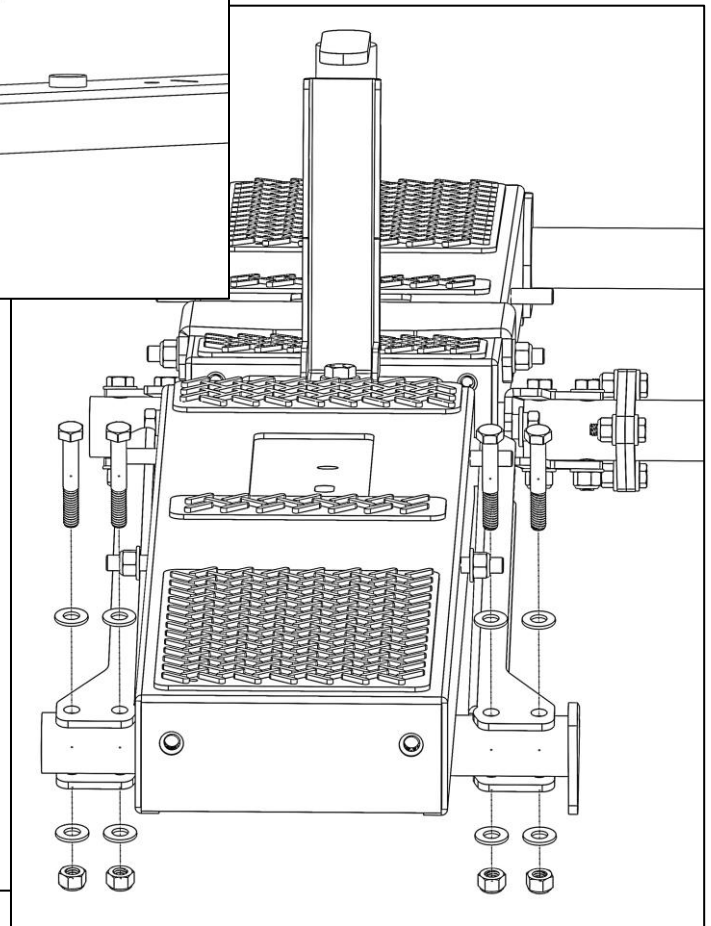
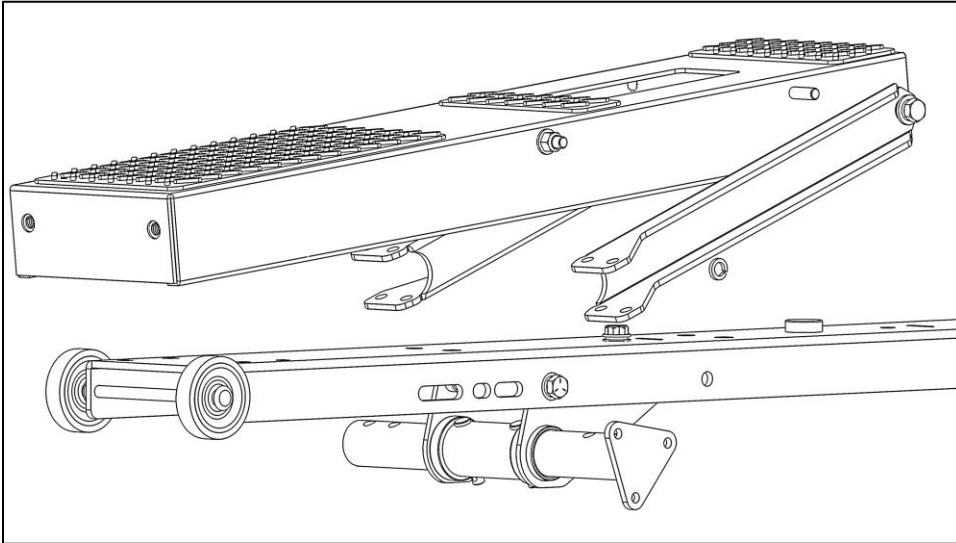
Step 9 – Remove Bolts

- Remove 5/16" x 2" hex head bolts, 5/16" flat washers, and 5/16" lock nuts from the previously installed mechanism from Step 7.



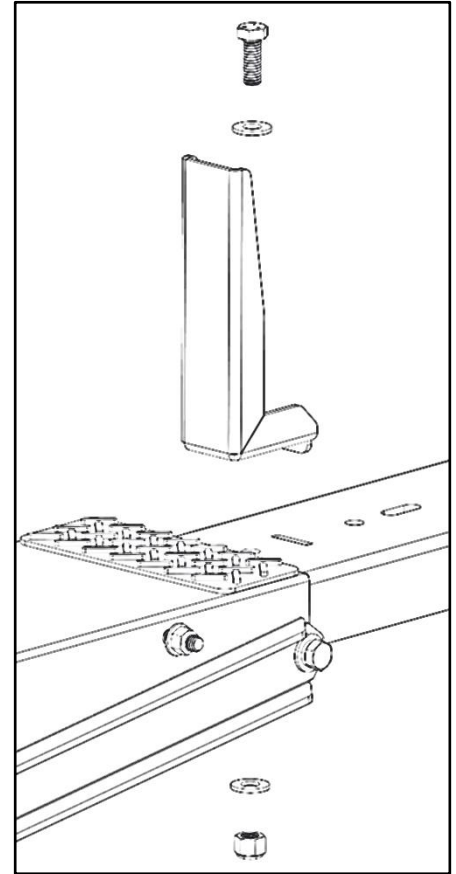
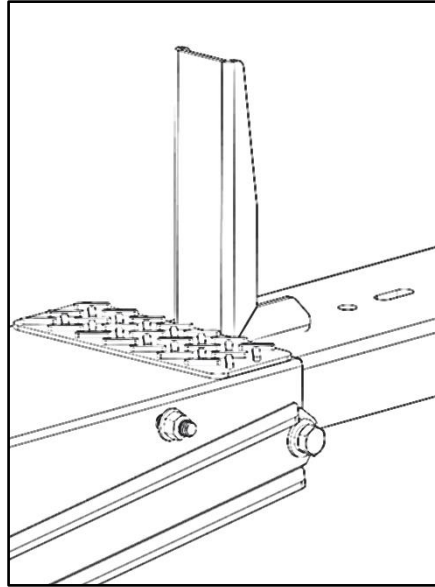
Step 10 – Install Front Pan

- Place front pan on top of wheels and bow. **Be sure the wheel caps DID NOT come off.**
- Align the arms from the pan with the holes from the mechanism where the bolts were previously removed.
- Bolt together using hardware that was removed.
- Snug tighten, but allow movement.



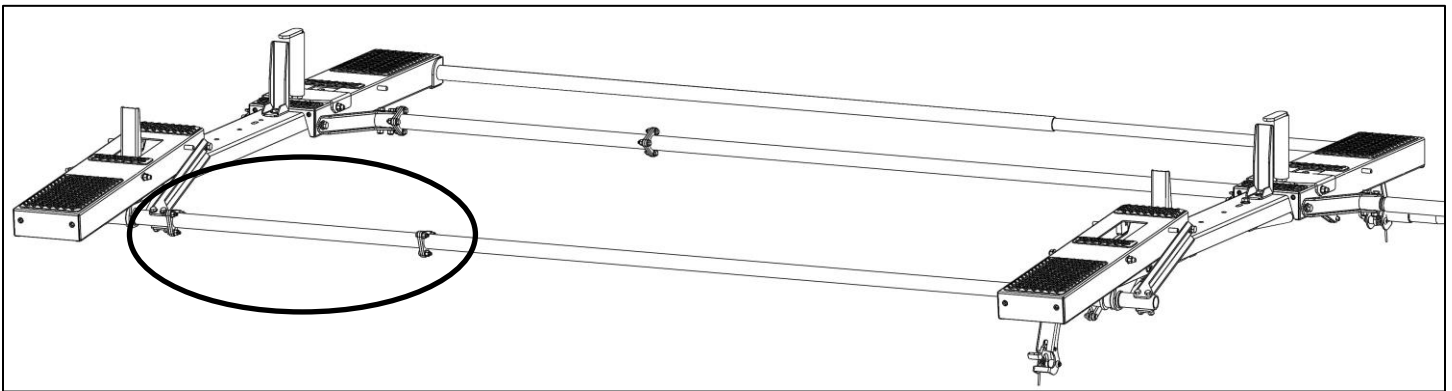
Step 11 – Front Bow Ladder Stop

- Bolt ladder hook to the front bow in the orientation shown.
- Be sure to have the flange of the hook line up with the slot on the bow.
- TIGHTEN.



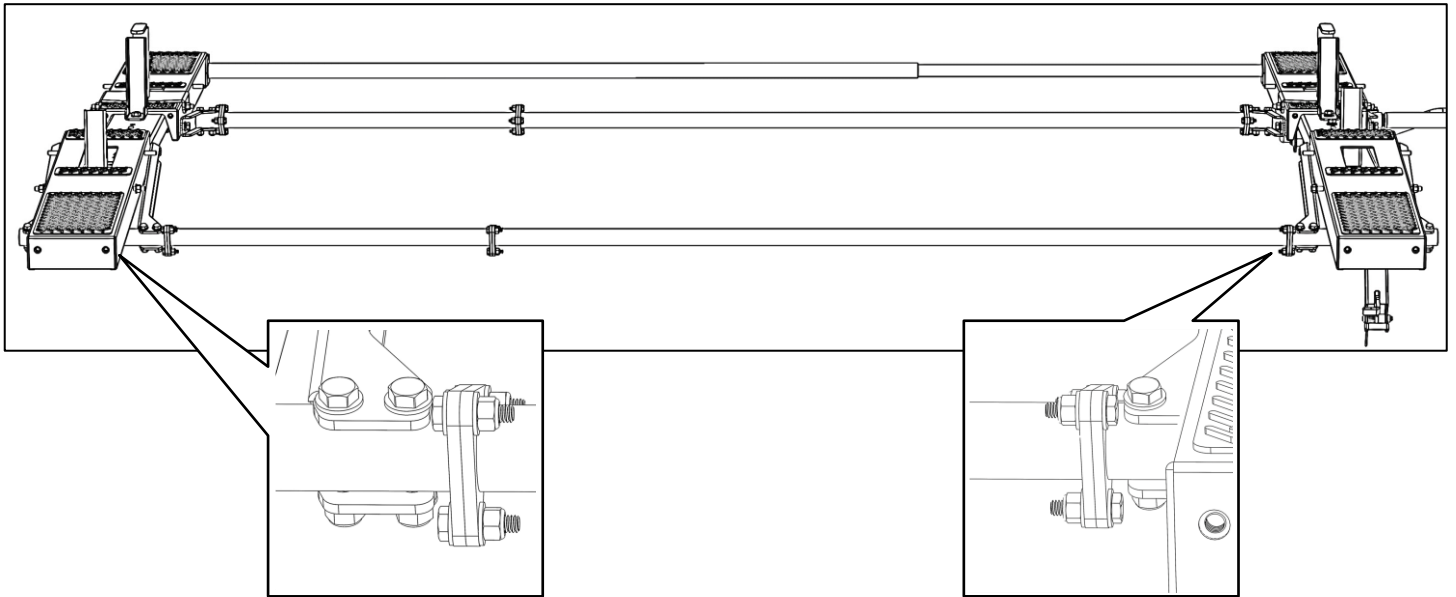
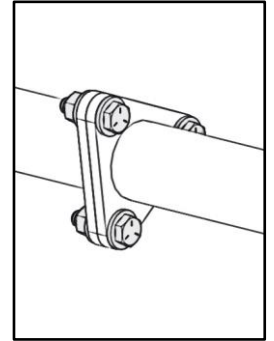
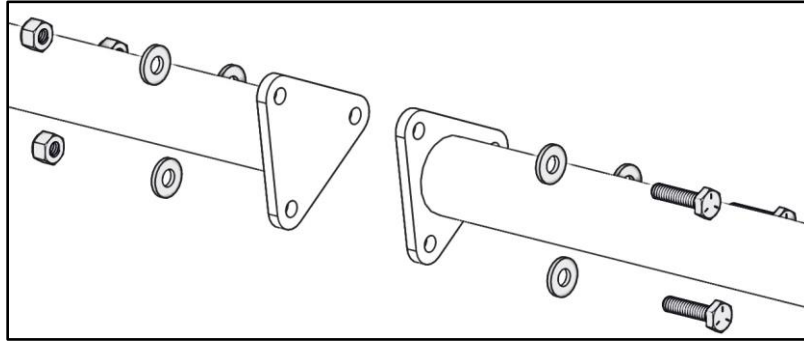
Step 12 – Determine if Extension is Required

- Determine if the extension will be needed. Look at the passenger side of rack.



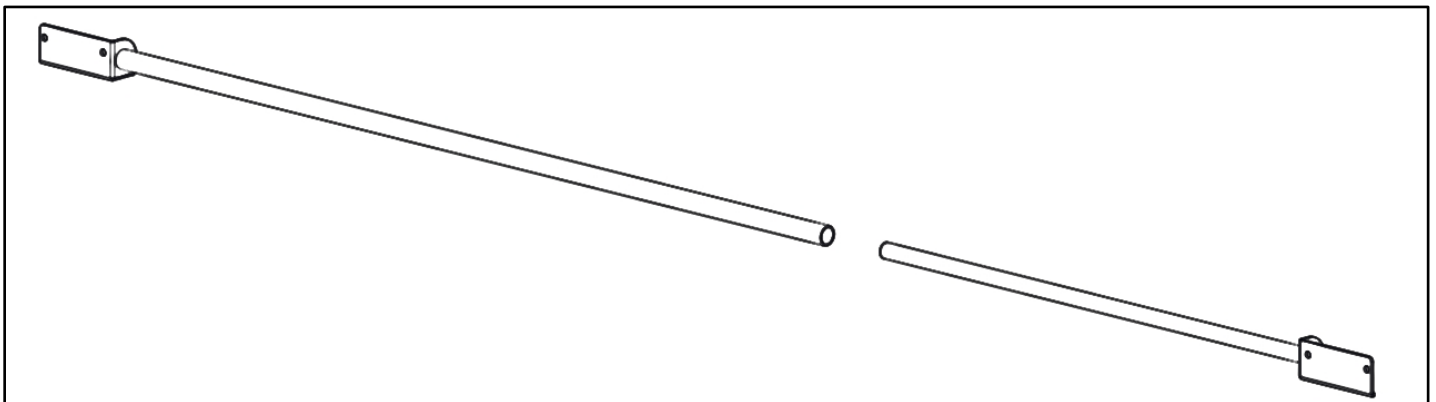
Step 13 – Attach Torque Tube

- Bolt torque tube to front and rear bow using 1/4" x 1" hex head bolt, two 1/4" flat washers and 1/4" lock nut at each location.
- If extension is needed, follow same instructions to attach torque tube to extension.
- TIGHTEN.

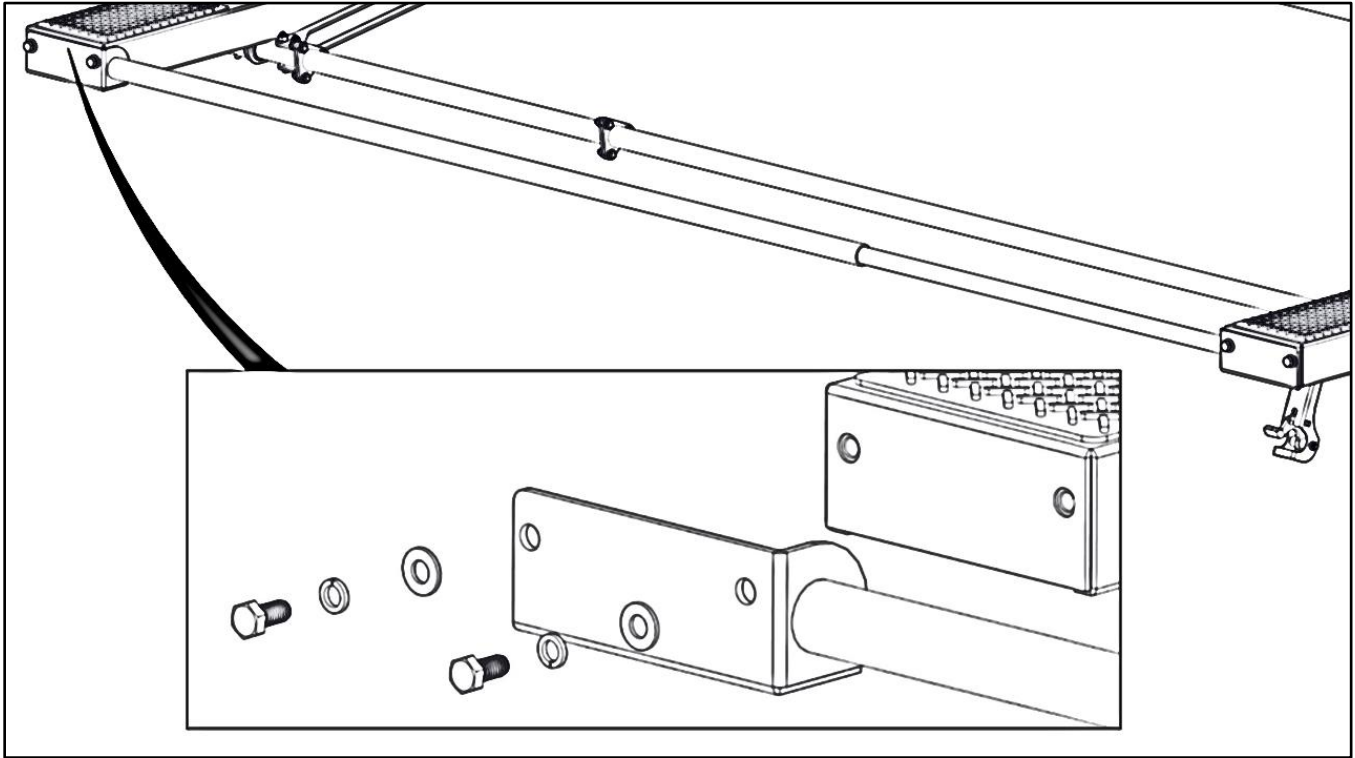


Step 14 – Install End Tube

- Assemble end tube and place at the end of each bow.

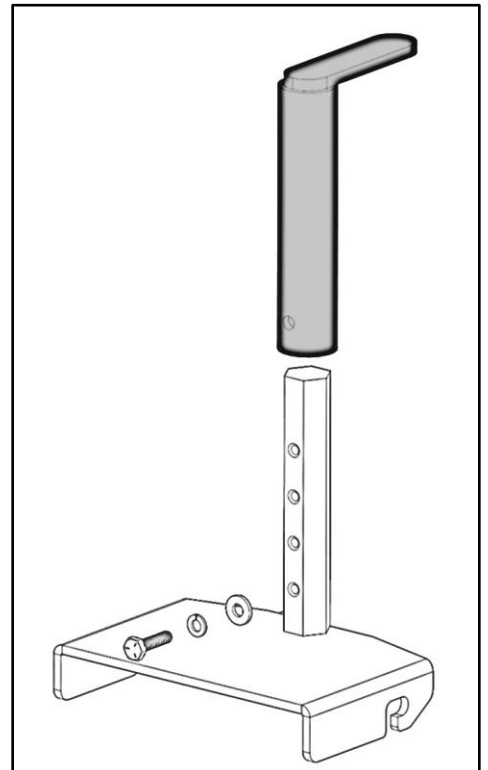
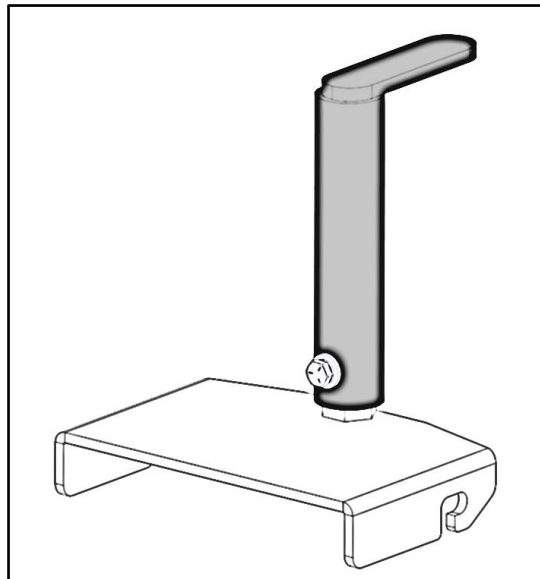


- Bolt into place using 3/8" x 3/4" hex head, 3/8" lock washer and 3/8" flat washer.
- Repeat at front and rear bow.
- TIGHTEN.



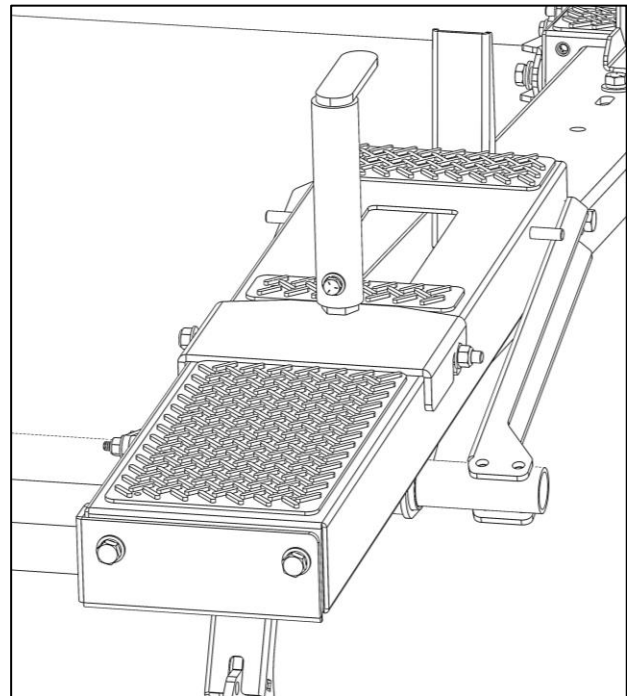
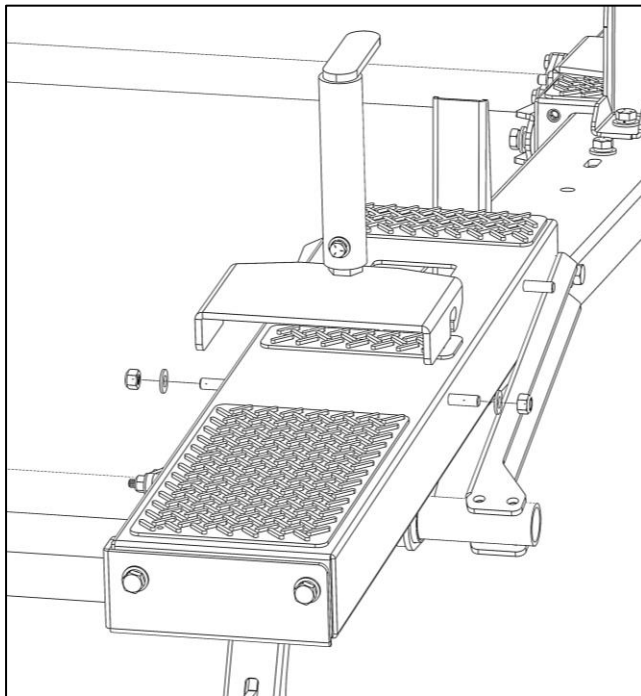
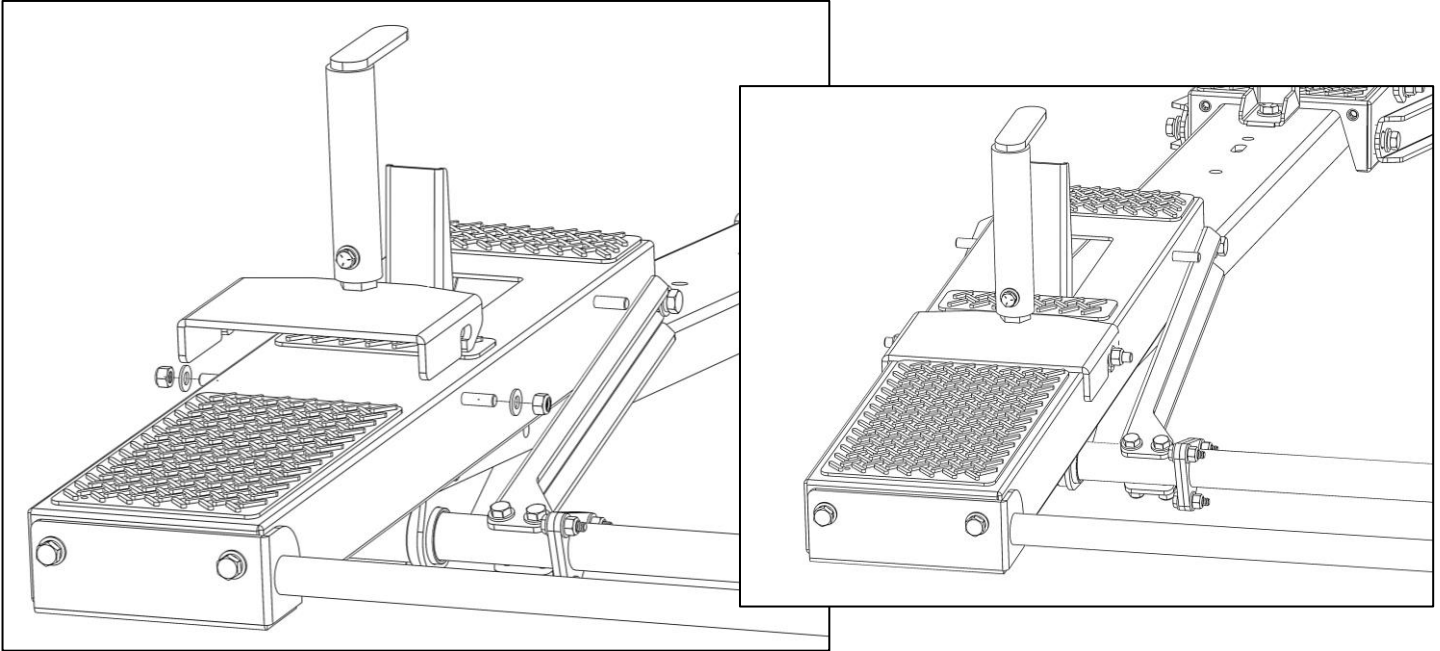
Step 15 – Assemble Ladder Hooks

- Bolt ladder hook to ladder hook base using a 1/4" x 3/4" hex head, 1/4" lock washer, and 1/4" flat washer. Ladder hook height can be adjusted later.



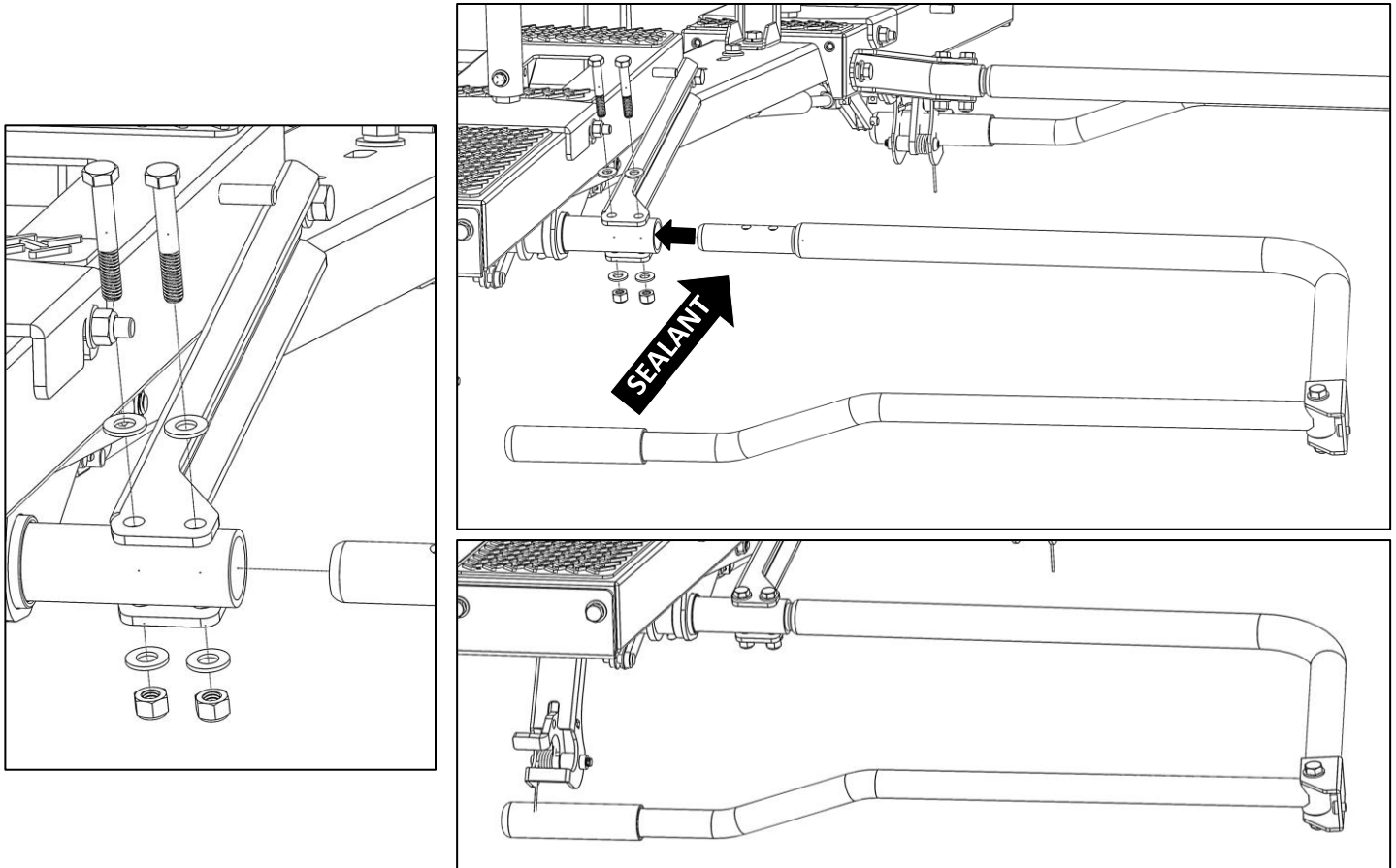
Step 16 – Install Ladder Hooks

- Using the hardware and installed studs on the bows, loosen the nuts and slide ladder hook into place. Be sure the washers are on the outside of the ladder hook.
- TIGHTEN.



Step 17 – Install Handle

- Using the hardware removed in Step 3, insert handle into swage on the rear bow.
- Be sure to place sealant along swage joint.
- TIGHTEN.



GO BACK AND TIGHTEN ALL BOLTS FROM PREVIOUS STEPS.

BE SURE HARDWARE IN MOUNTING IS TIGHT.

YOUR INSTALLATION IS NOW COMPLETE.