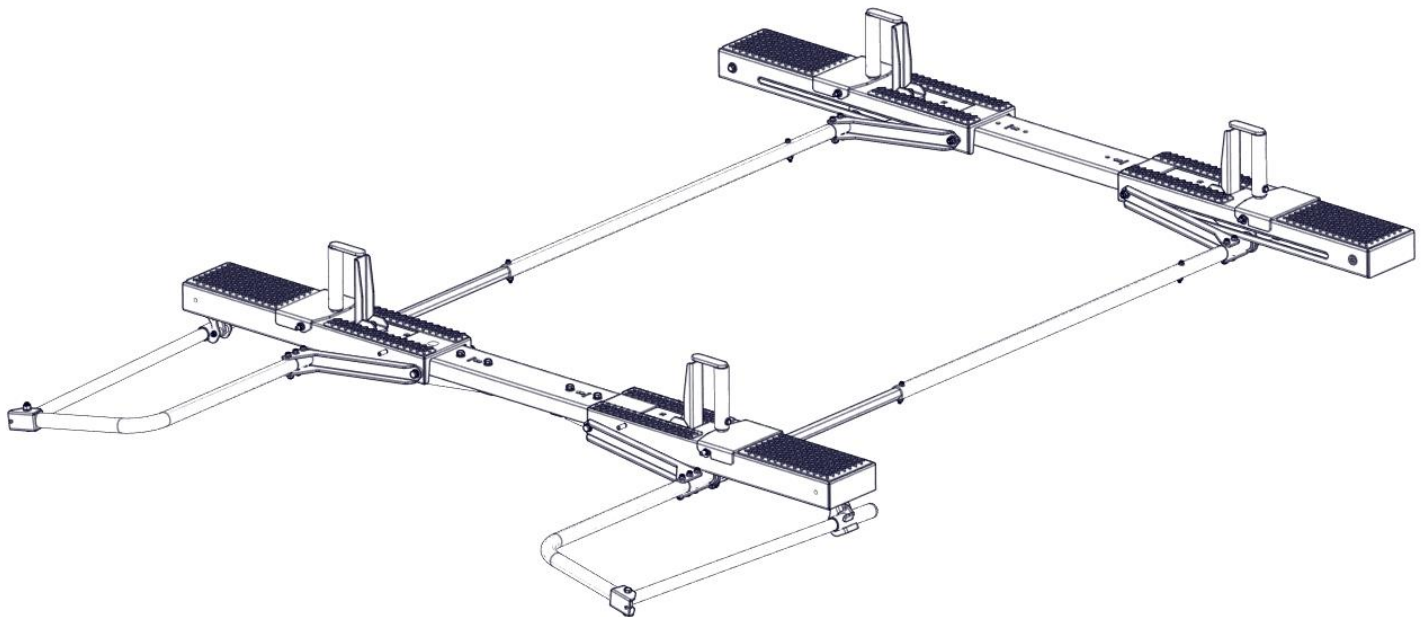




WE PUT EVERYTHING WITHIN REACH.

Installation Guide

4A963



Kargo Master
Rancho Cordova, CA 95742
800-343-7486
CustomerService@KargoMaster.com

DATE: _____

***PLEASE READ ALL INSTRUCTIONS AND WARNINGS PRIOR TO ASSEMBLING,
INSTALLING, AND USING THIS PRODUCT***

Warning



Always check for wires, fuel tanks and lines, brake lines and other important vehicle functionality items prior to drilling and installing all products.

Tools Needed

1/2" Wrench and Socket	3/8" Wrench and Socket
7/16" Wrench and Socket	Tape Measure

Table of Contents

Parts List 2-3

Hardware List 4-5

Step 1 Remove Load Plates 6

Step 2 Cantilever Mechanism 7

Step 3 Damper Mount 7

Step 4 Damper 8

Step 5 Latch Assembly 9

Step 6 Rear Pan 10

Step 7 Front Pan 11

Step 8 Hex Tube 12-13

Step 9 Attach Handle 14

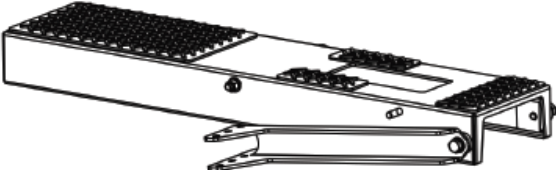
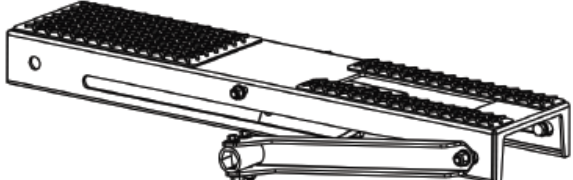
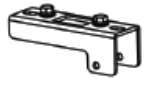
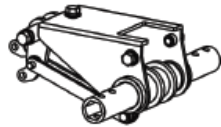
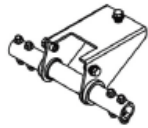




Step 10 Ladder Stops 15

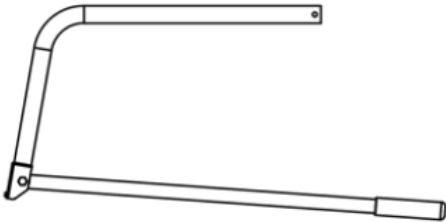


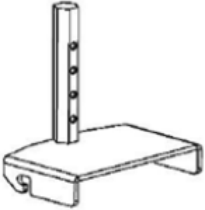

Step 11 Ladder Hooks 15

Before You Begin

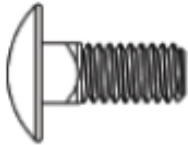


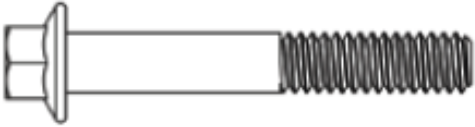

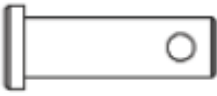
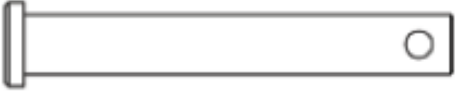



- Read all instructions.
- Have Rack installed on vehicle.

Parts

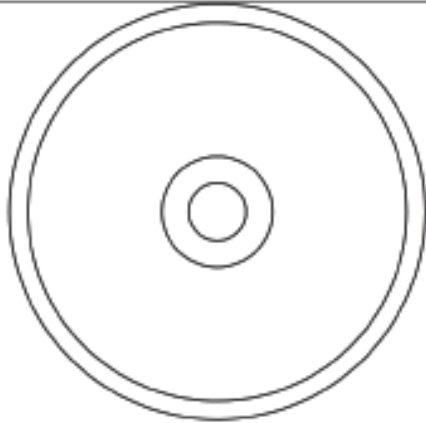







ITEM NO.		PART NUMBER	DESCRIPTION	QTY.
A		4A900-30-1	REAR PAN	1
B		4A900-30-2	FRONT PAN	1
C		4A900-53	DAMPER MOUNT ASM	1
D		4A900-11-1	CANTILEVER MECHANISM ASM	1
E		4A900-11-2	MECHANISM ASM	1
F		AVM SD500	DAMPER	2
G		4A900-20-014-1	LONG HEX BAR	1
H		4A900-20-001-R1	HANDLE HEX BAR	1
J		4A900-20-010	SMALL HEX BAR	1

ITEM NO.		PART NUMBER	DESCRIPTION	QTY.
L		4A92L-46	HANDLE ASM	1
M		4A92L-44-R1	LATCH ASM	1
N		4A900-35	LADDER HOOK	2
O		4A900-36	LADDER HOOK WELDMENT	2
P		4A900-30-004-R3	LADDER STOP	2
		18-4A963	HARDWARE	1

Hardware 1 of 2

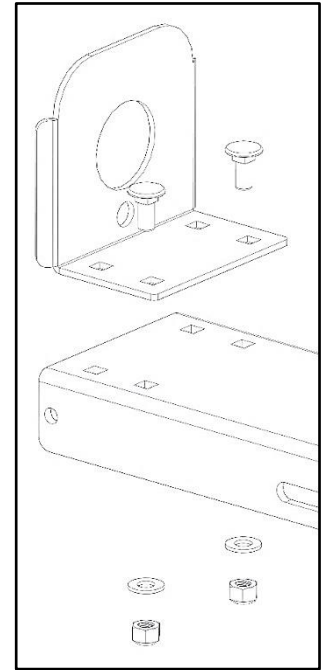
ITEM NO.		DESCRIPTION	QTY.
1		5/16"-18 X 3/4" Carriage Bolt	2
2		5/16" Flat Washer	5
3		5/16"-18 Nyloc	4
4		5/16"-18 x 2-1/8" Flanged HH	1
5		5/16"-18 x 7-1/2" HH	1
6		5/16" x 3/4" Pin	2
7		5/16" x 2' Pin	1
8		1/4"-20 x 7/8"HH	2
9		1/4" Flat Washer	2
11		Cotter Pin	3

Hardware 2 of 2

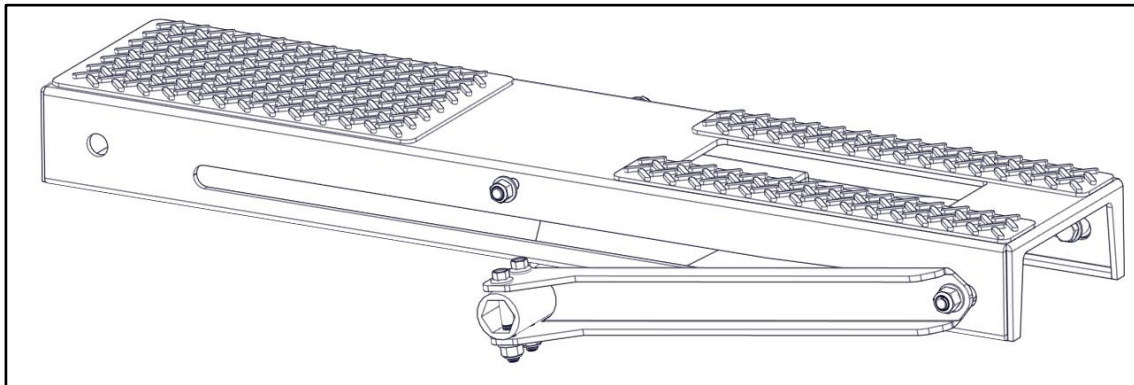
ITEM NO.		DESCRIPTION	QTY.
12		2-1/4"Wheel	2
13		AXLE	1
14		Oil Sleeve Bearing	2
15		Wheel Side Stopper	2
16		5/16" x 3/4" Plastic Spacer	1
17		3/8" x 1/2" x 1" Sleeve	2
18		Rubber Bumper	2
19		ANTI-SEEZE	1

Step 1 – Load Plates

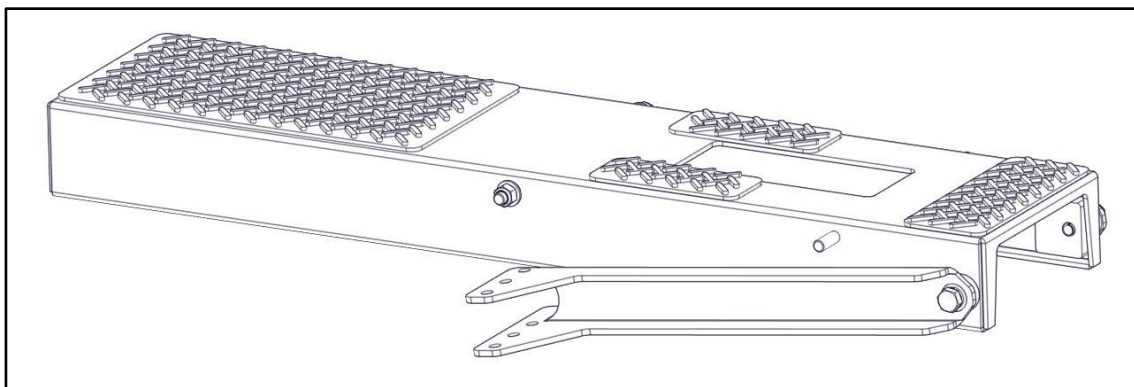
- If installed, remove load plates at the end of each bow, opposite from the pan mechanism.
- Repeat on both bows.



****Determine front and rear pan. The front pan will have a slot in the pan****



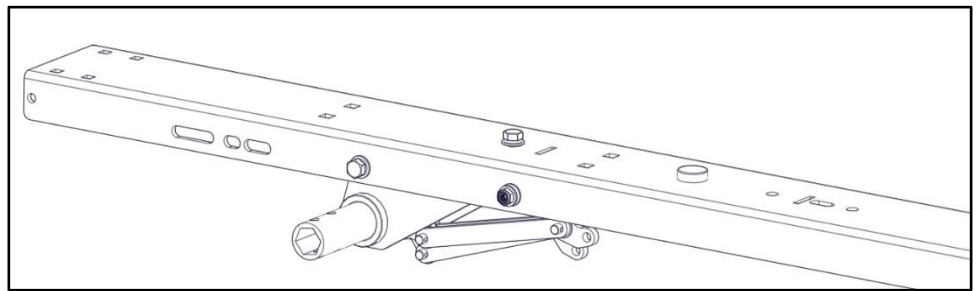
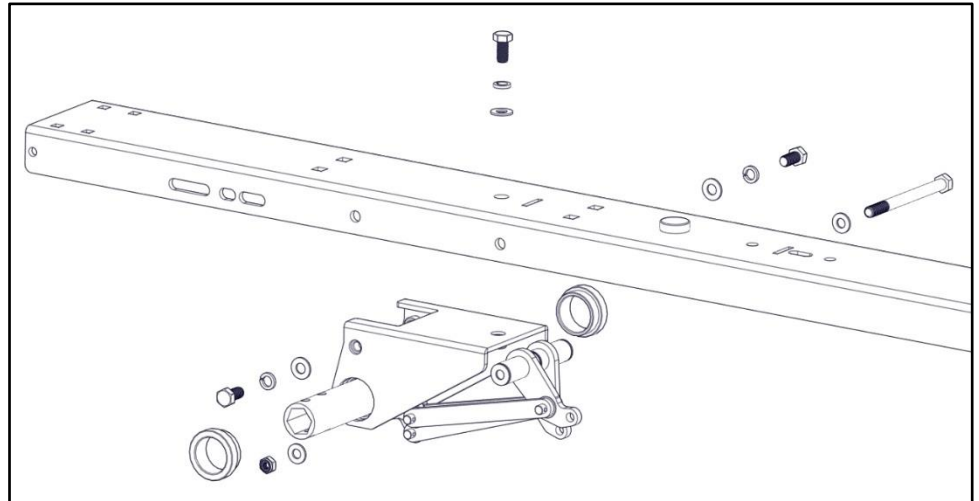
Front Pan



Rear Pan

Step 2 – Mount Cantilever Mechanism

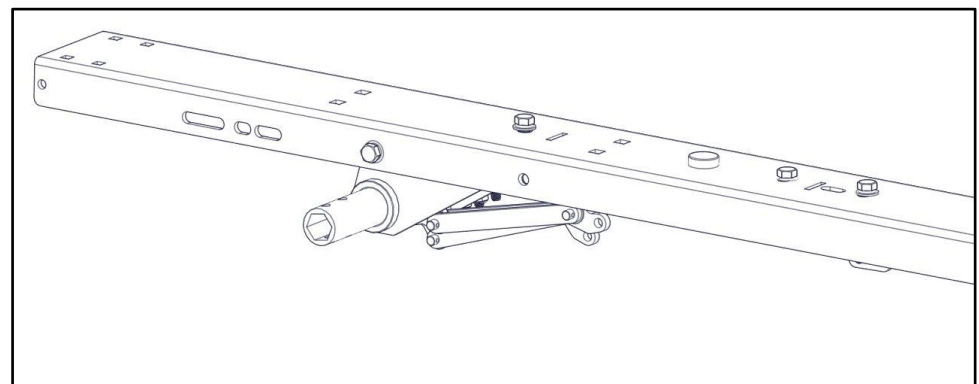
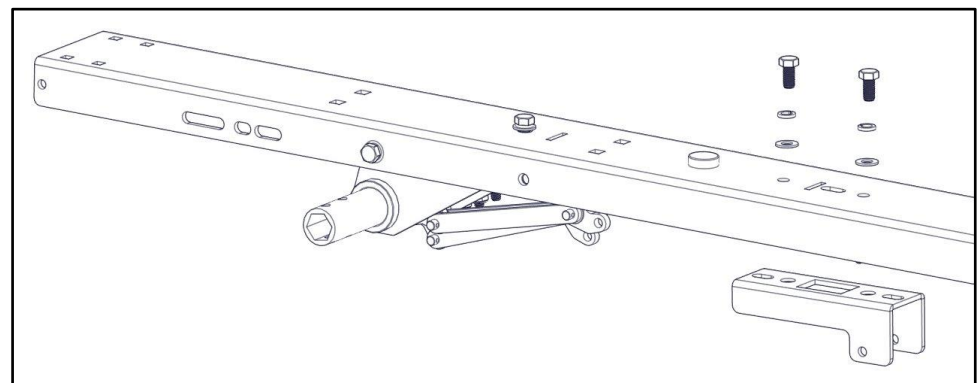
- Mount Cantilever Mechanism (D) to the under side of the rear bow in the location shown.
- Use existing hardware.
- Be sure the two bushings are in place. The 4-1/2" bolt will get nylon spacers near the moving parts.
- Snug Tighten, but allow movement.



****Removing foot may make installation easier****

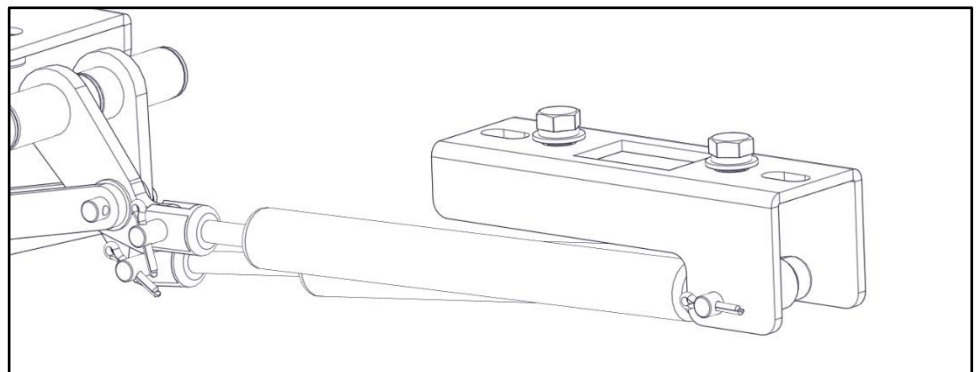
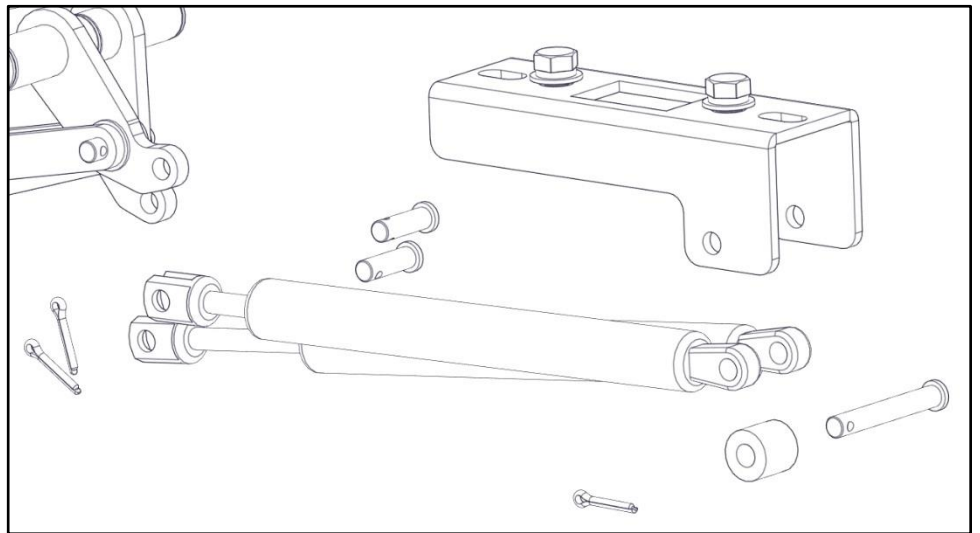
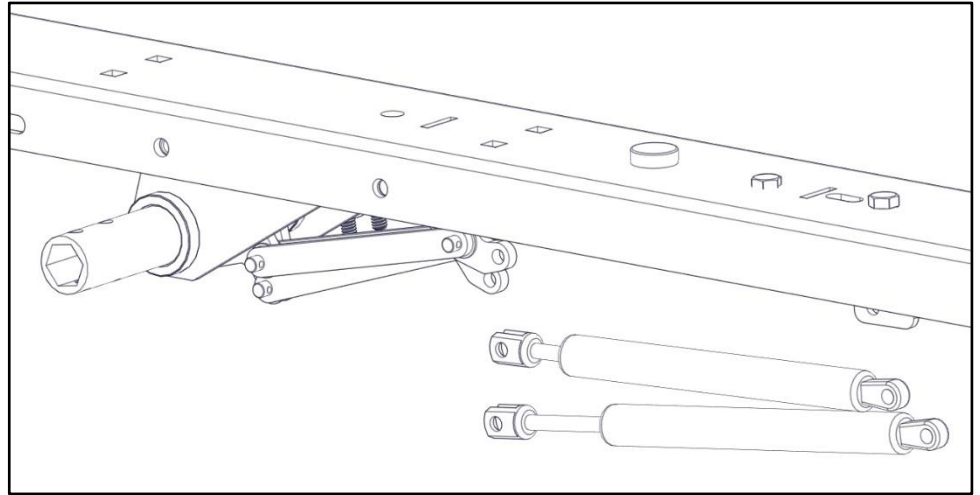
Step 3 – Damper Mount

- Mount damper mount (C) to the under side of the rear bow in the location shown.
- Use existing hardware.
- Snug Tighten, but allow movement.

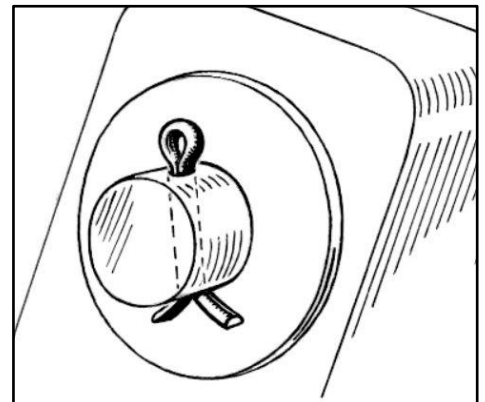


Step 4 – Install Dampers

- Install dampers (F) in orientation shown.
- Slide 3/4" pin to hold into place and attach to the cantilever mechanism (D) installed in step 2.
- Install other end of damper to damper mount (C) using 2" pin, cotter pin and plastic spacer in orientation shown. The plastic spacer goes in between two dampers.
- In some situations, one may need to wait until handle assembly is installed to attach both sides of the dampers. This is so you can use the handle to help adjust the damper.
- Use cotter pin to ensure dampers stay in place.
- Shown without crossmember for clarity.

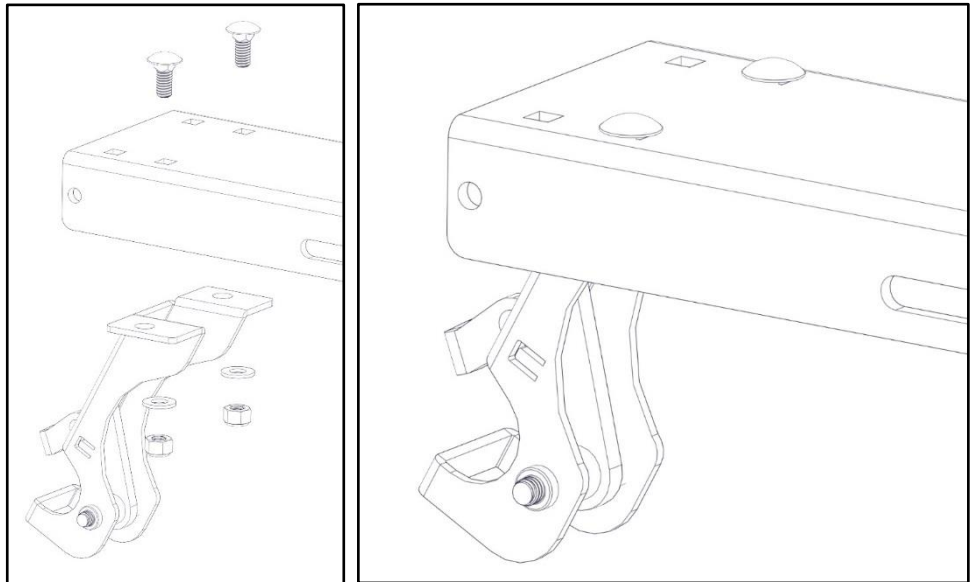


- Be sure to bend the open end of the cotter pin to ensure the pin stays in place.

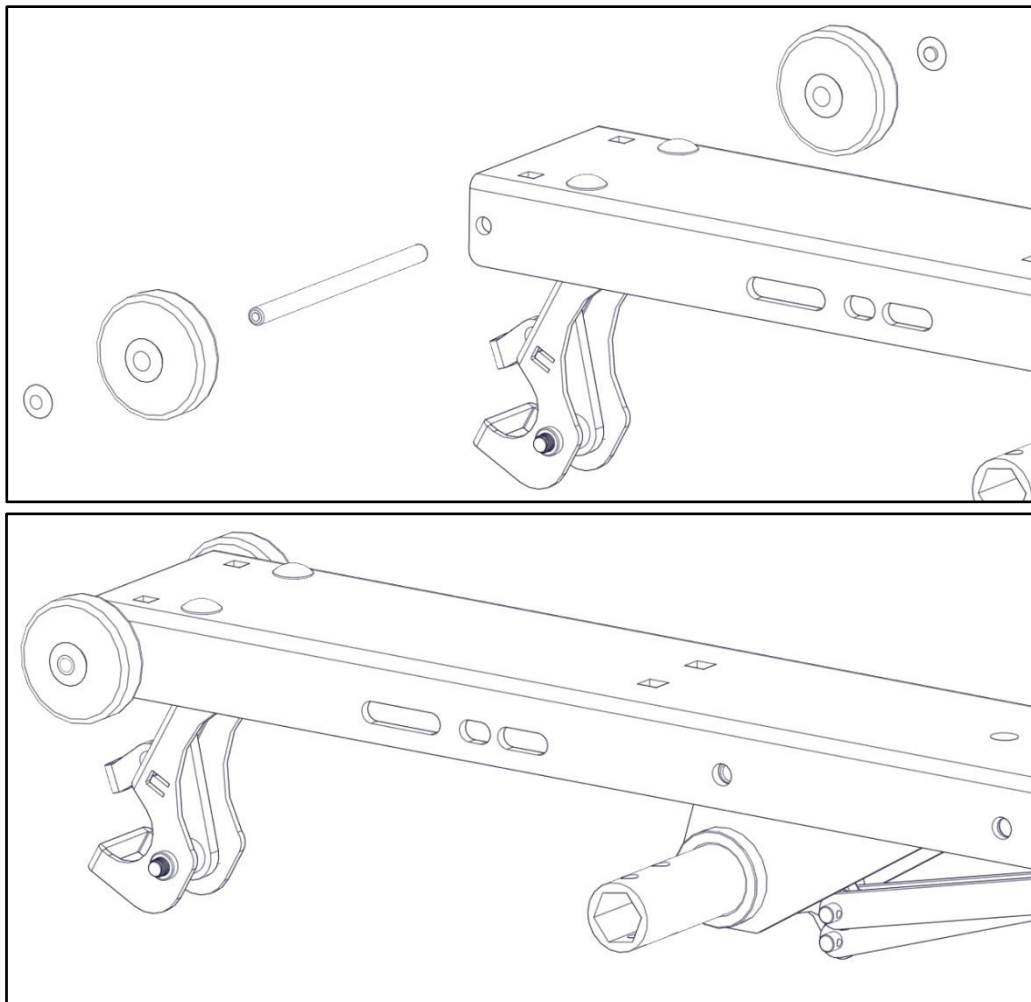


Step 5 – Install Latch ASM

- Install latch assembly (M) to the exposed end of the rear bow.
- Use 5/16" x 3/4" carriage bolts (1), 5/16" flat washers (2) and 5/16" nylocs (3) in orientation shown.

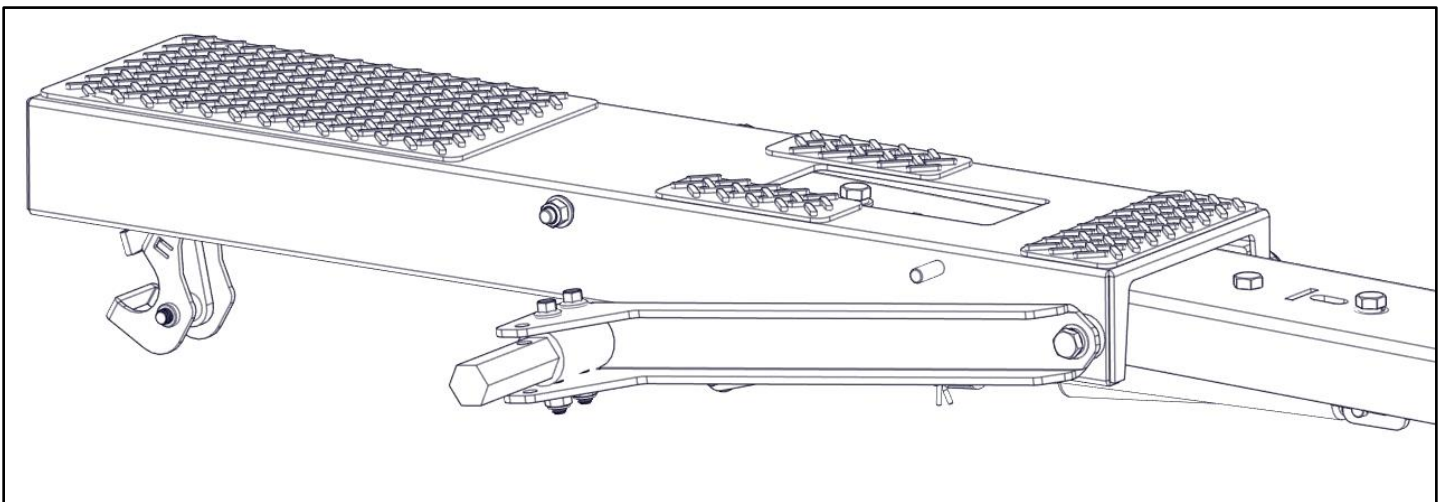
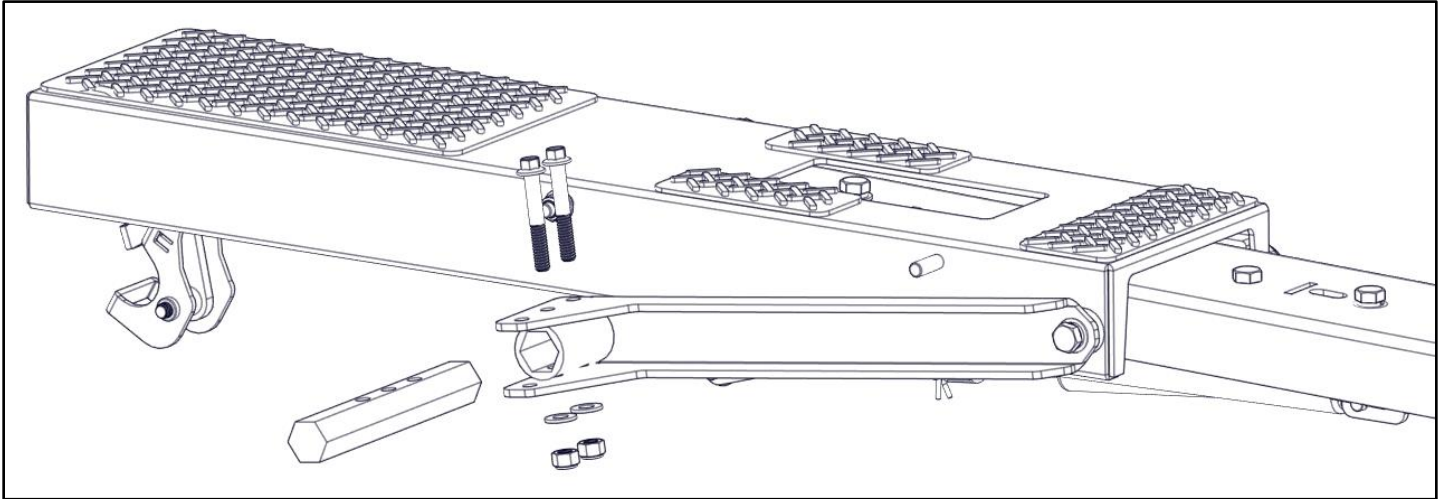


- Install wheel assembly. Slide wheel axle in the end of the rear bow. Place a wheel on each end of the axle. Cap the wheel with wheel stopper.



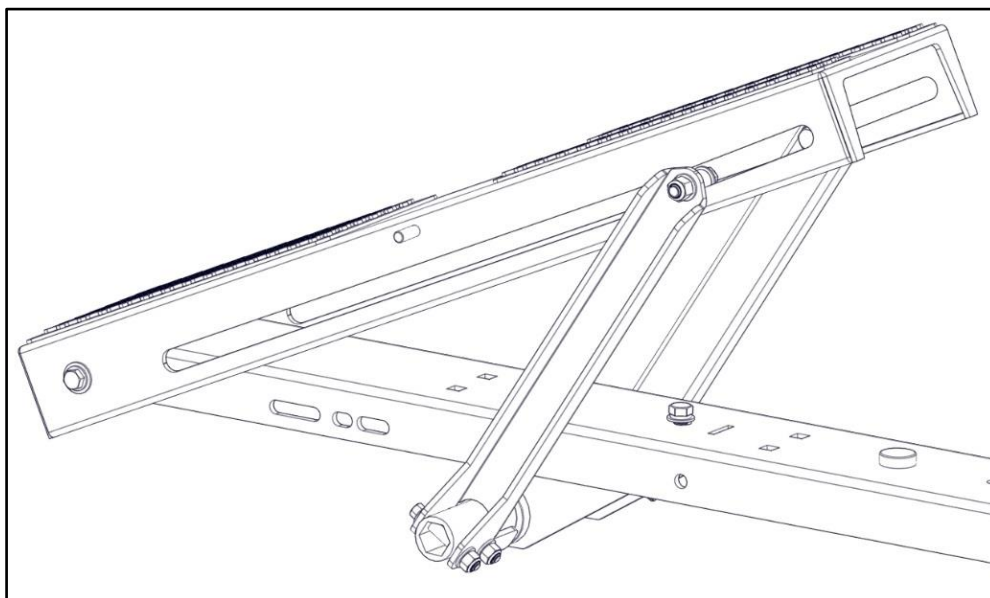
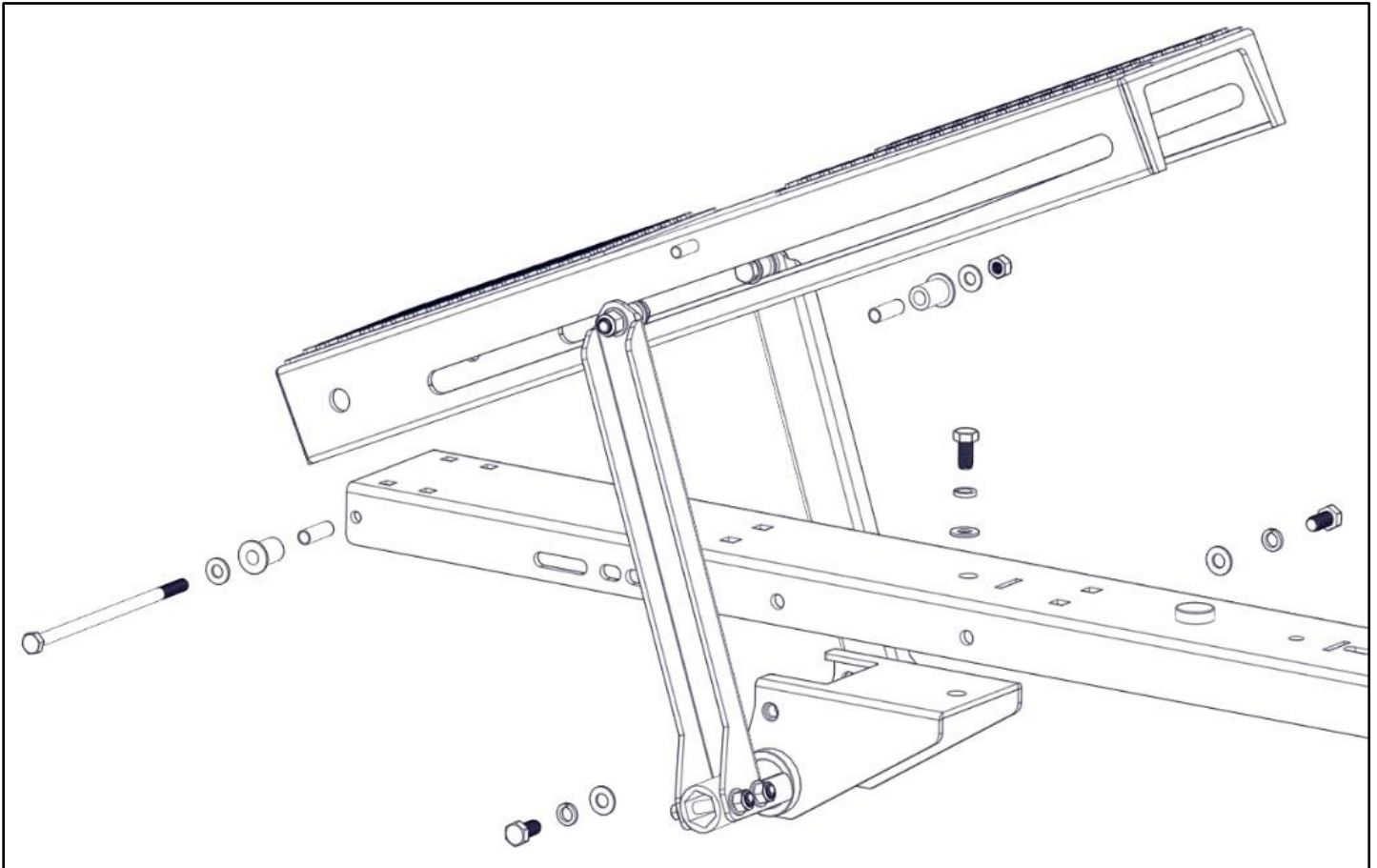
Step 6 – Install Rear Pan

- Place rear pan on top of wheels and bow. Be sure the wheel caps do NOT come off.
- Slide handle hex bar (H) into position shown.
- Bolt together using existing hardware, only use 2 bolts, leaving the hole shown empty.
- Snug Tighten, but allow movement.



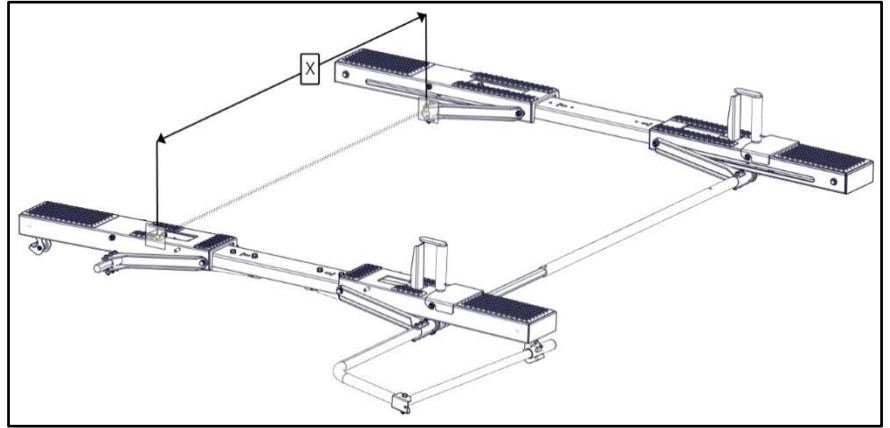
Step 7 – Install Front Pan

- Place front pan on top of front bow. Slide cantilever housing (E) under bow as shown.
- At the end of the bow, bolt pan to the bow using 5/16" x 7-1/2" hex head bolt, 5/16" flat washers, sleeve bearings and 3/8" sleeve in order shown.
- Bolt together using existing hardware. There are three sets of hardware attaching the cantilever housing to the bow.
- Snug Tighten, but allow movement.



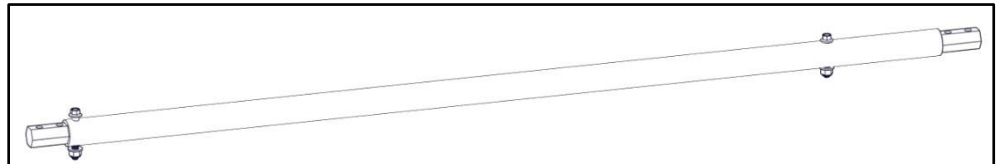
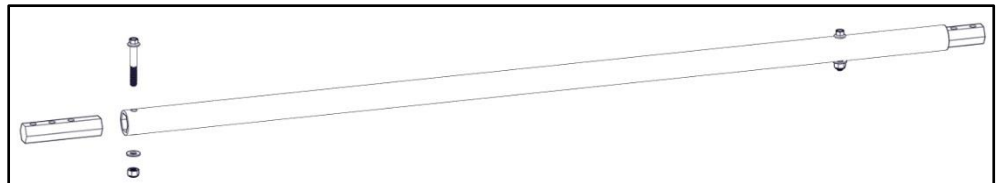
Step 8a –Hex Tube Length

- Measure the distance between the two tubes on the front and rear ladder pan assemblies.

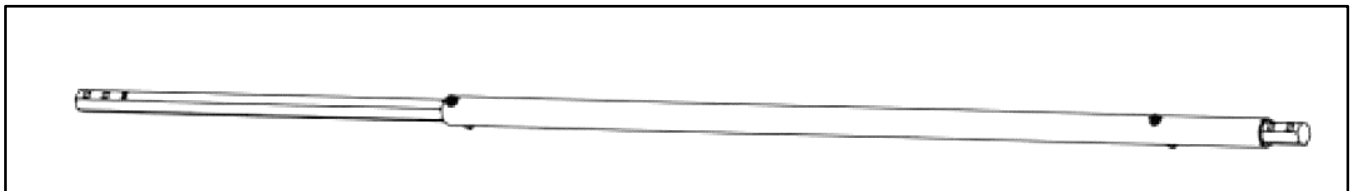


Step 8b – Determine parts of Hex Tube assembly

- If the distance is approximately 43", remove the long hex bar, use the small hex bar (J).
- Bolt into place using 5/16" x 1-3/4" flanged hex head bolt, 5/16" flat washer and a 5/16" nyloc nut.
- Leave two holes exposed in the small hex bar.

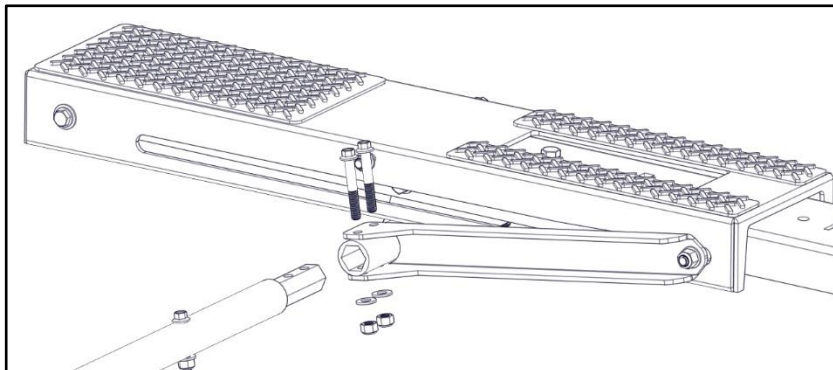


If the distance is greater than 43", keep the original long hex bar.



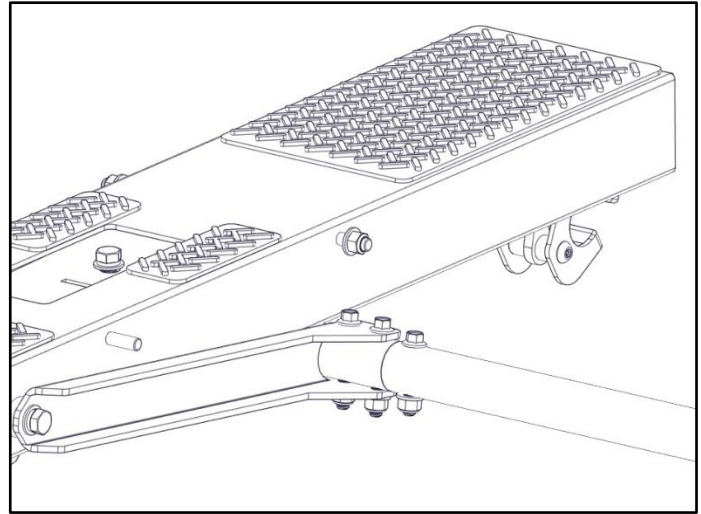
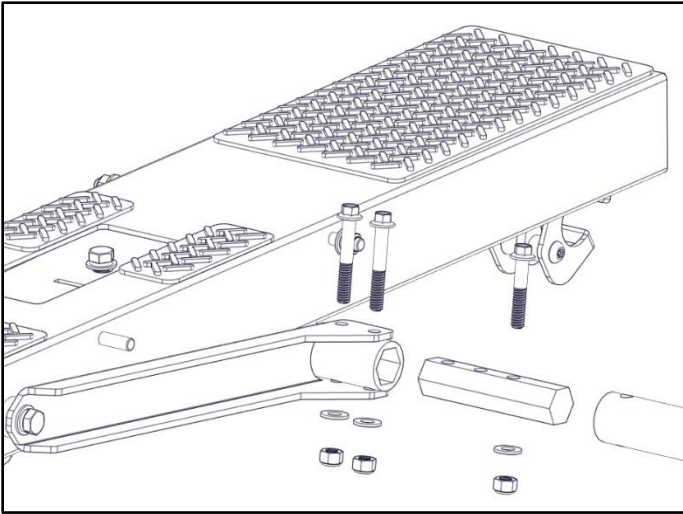
Step 8c –Hex Tube To Front Pan

Remove hardware from front pan assembly. Attach long hex bar (G) to the front ladder pan using removed hardware.

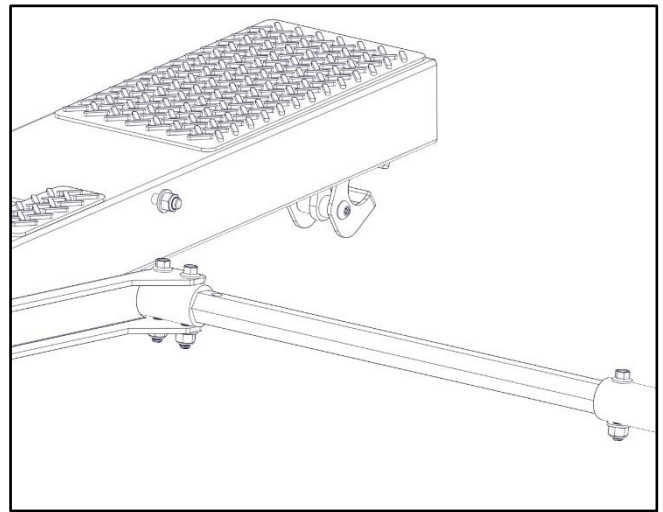
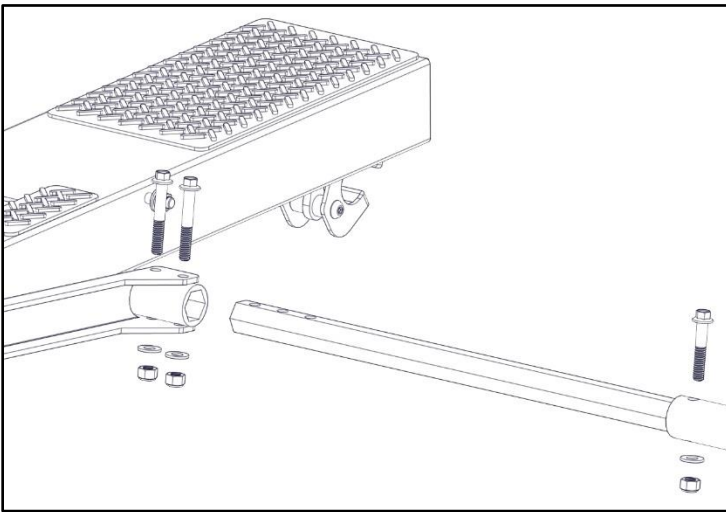


Step 8e – Attach to Rear Bow

- If the distance is approximately 43", use the small hex bar (J).
- Bolt small hex bar to rear pan as shown using the provided hardware. TIGHTEN.

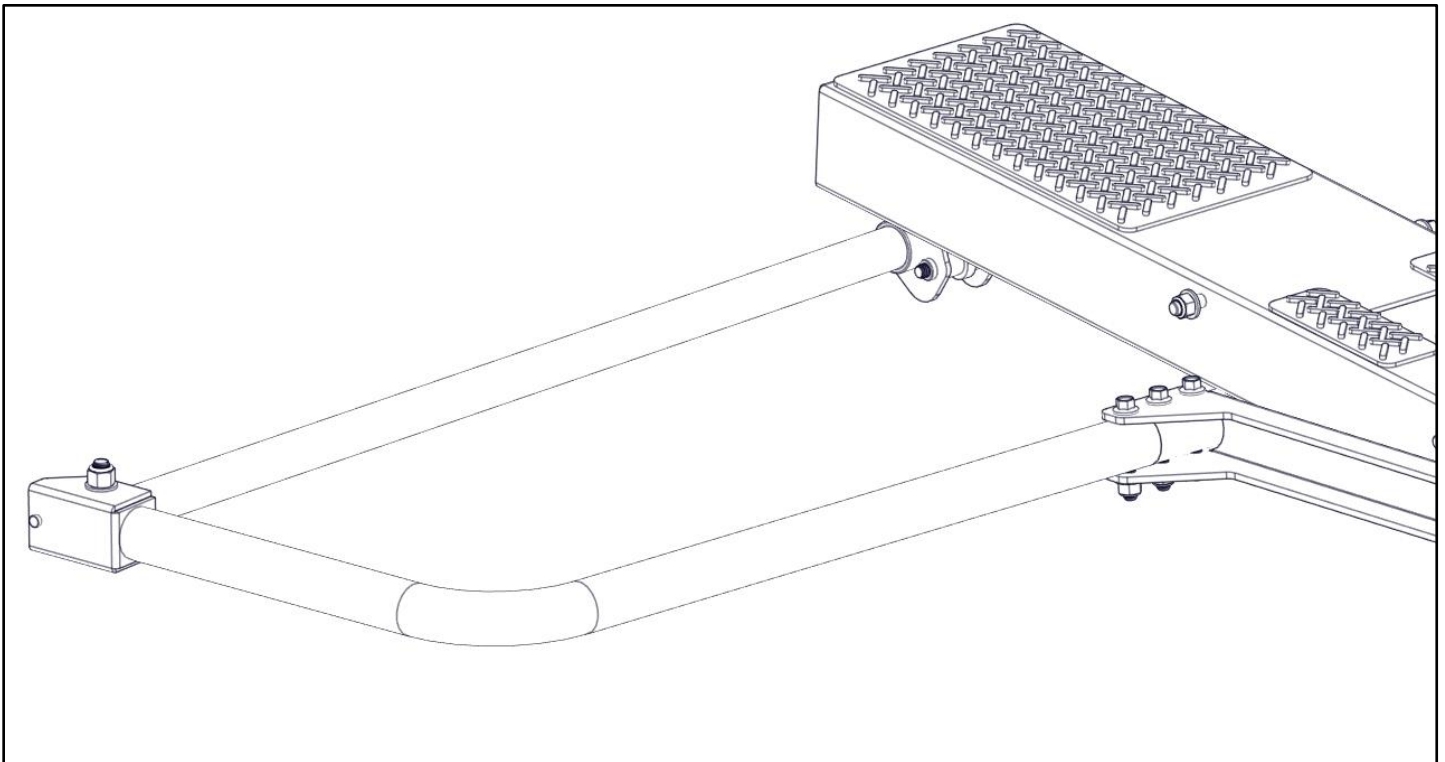
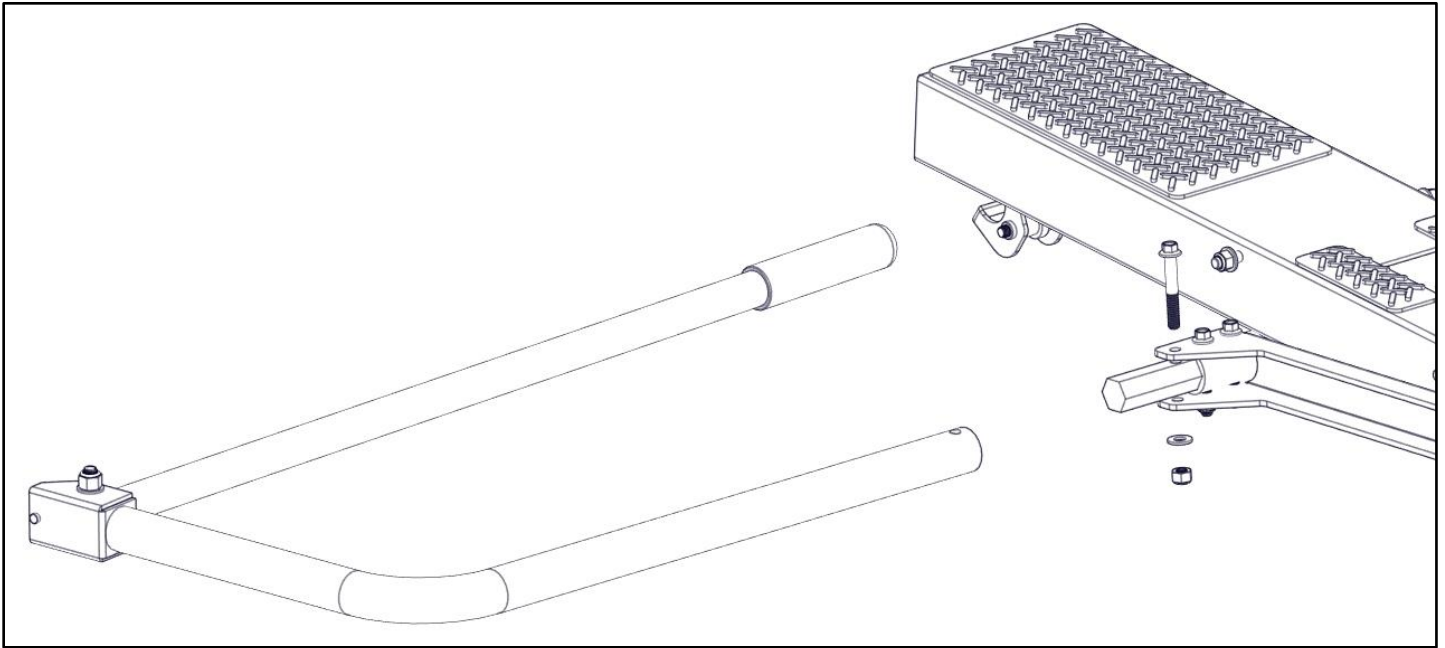


- If the distance is more than 43", use the original long hex bar (G).
- Adjust to correct length and attach to rear pan.
- Once attached to rear pan, align hex bar and hex sleeve and bolt together. TIGHTEN.



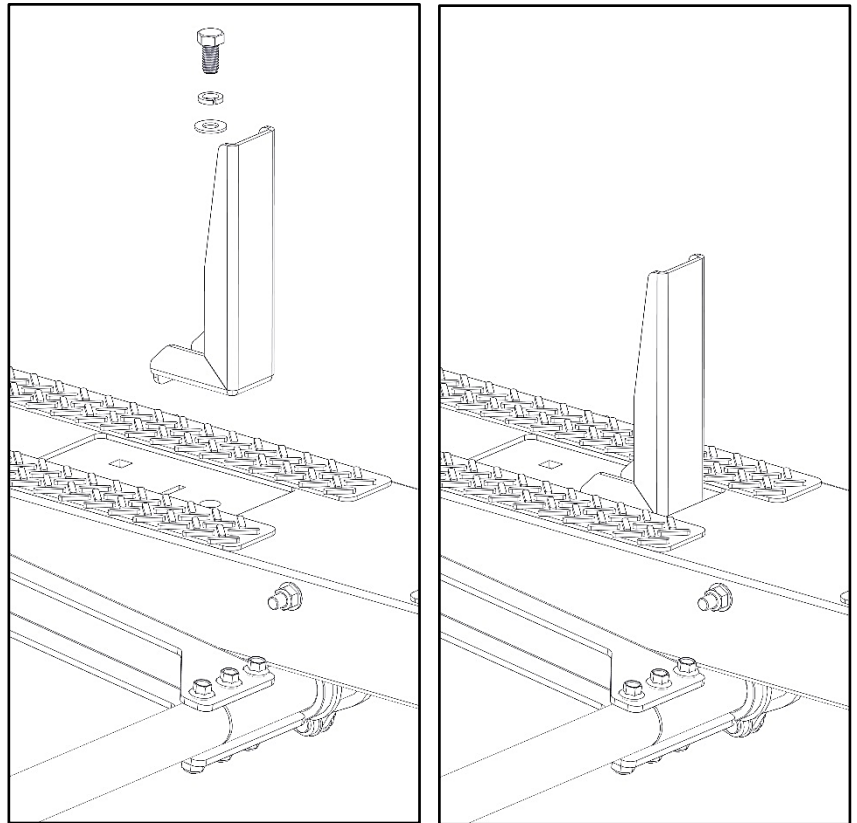
Step 9 – Attach Handle

- Attach handle to rear pan using 5/16" x 2-1/8" flanged hex head bolt, 5/16" flat washer and a 5/16" nyloc nut.
- TIGHTEN



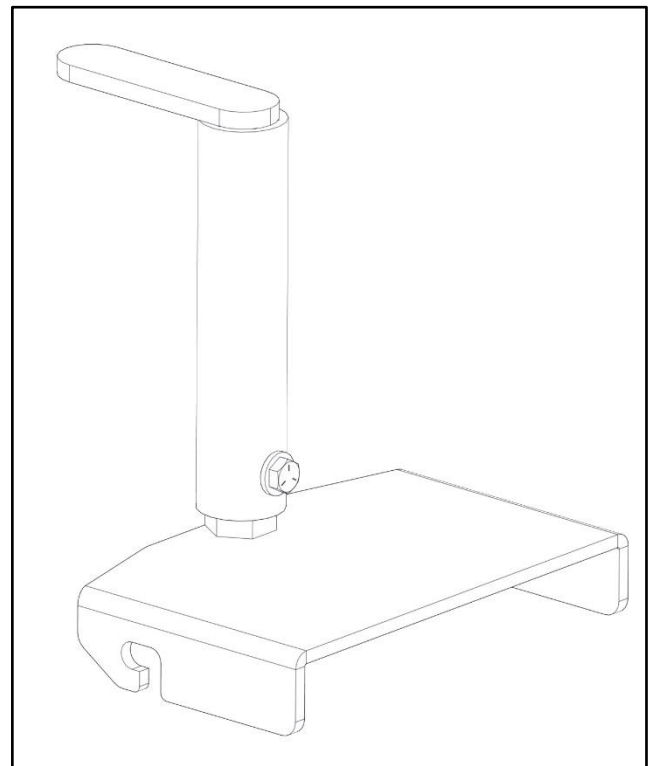
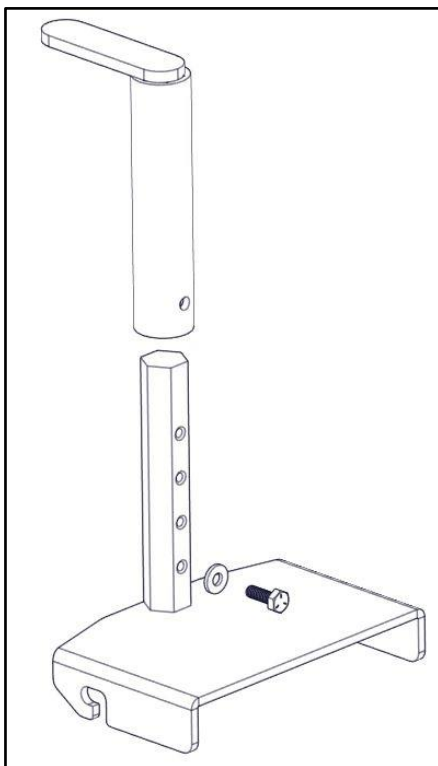
Step 10 – Ladder Stop

- Using the hardware on the bows, bolt the ladder stop in the orientation shown. Be sure to line up slot in bow with slot in stop.
- TIGHTEN



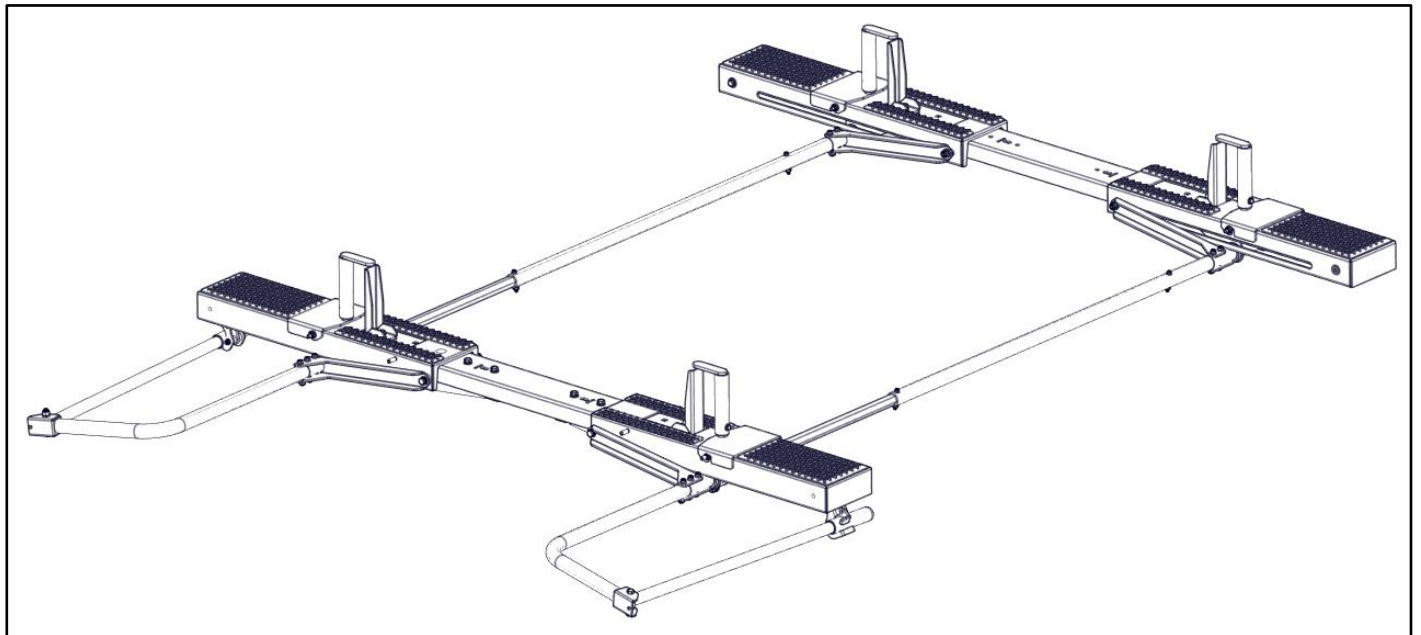
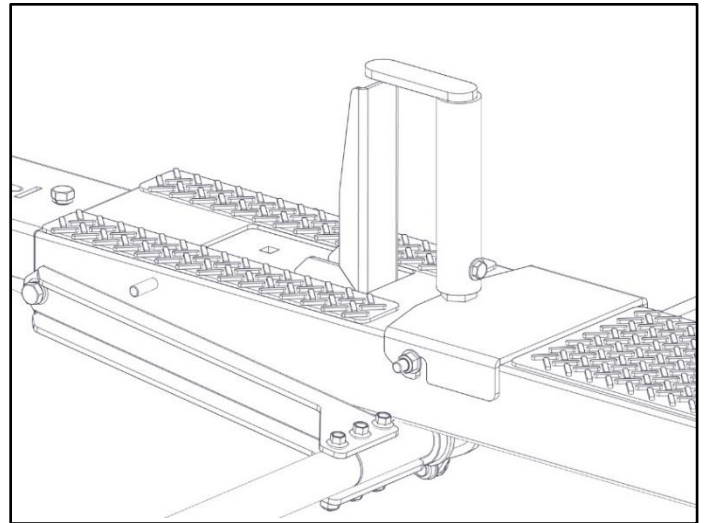
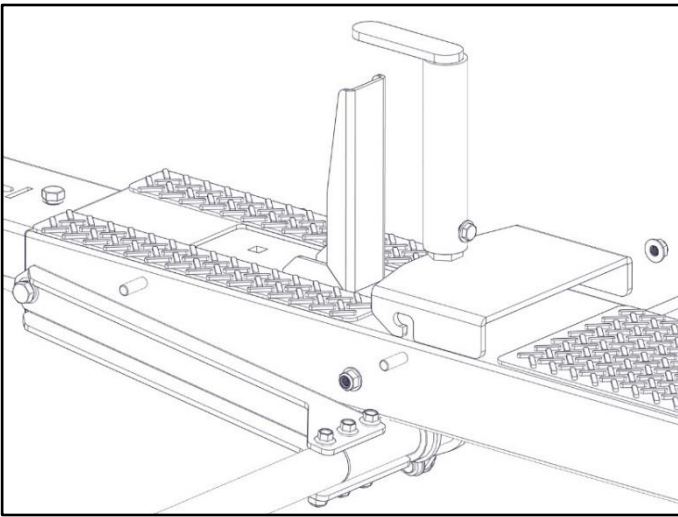
Step 11 – Assemble Ladder Hooks

- Bolt ladder hook ASM (N) to ladder hook weldment (O) as shown.
 - Use 1/4" x 3/4" hex head (8) and 1/4" flat washer (9). This can be adjusted later.
- TIGHTEN



Step 11 – Ladder Hooks

- Using the hardware and installed studs on the bows, loosen nuts and slide ladder hook into place.
- TIGHTEN



GO BACK AND TIGHTEN ALL BOLTS FROM PREVIOUS STEPS

BE SURE HARDWARE IN MOUNTING IS TIGHT.

- YOUR INSTALLATION IS NOW COMPLETE