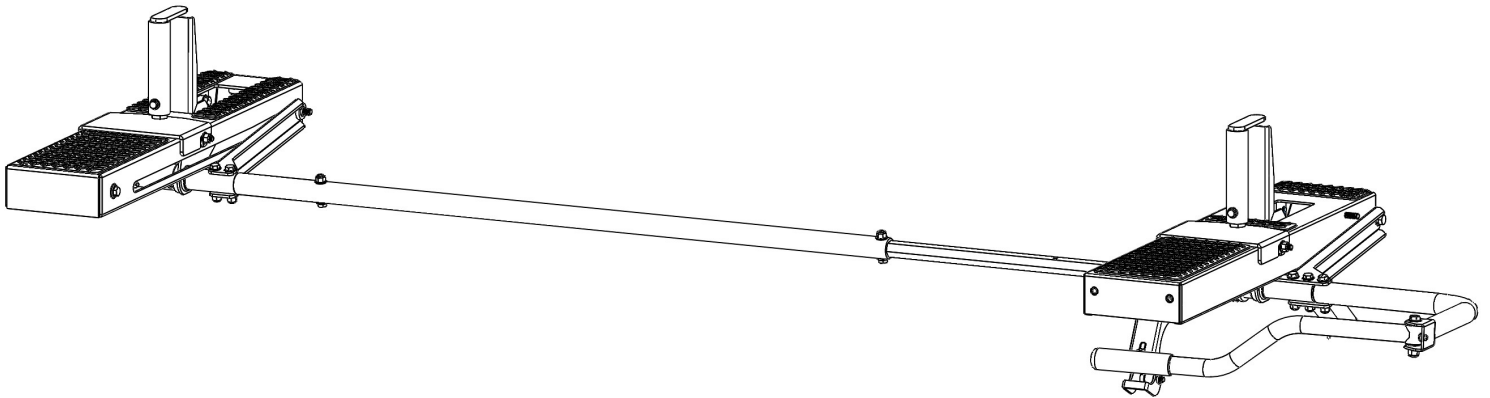

Holman

Installation Guide 4A943



Holman
Rancho Cordova, CA 95742
800-343-7486
InstallationSupport@holman.com

PLEASE READ ALL INSTRUCTIONS AND WARNINGS PRIOR TO ASSEMBLING, INSTALLING, AND USING THIS PRODUCT

Warning



Always check for wires, fuel tanks and lines, brake lines and other important vehicle functionality items prior to drilling and installing all products.



DO NOT EXCEED MANUFACTURERS WEIGHT CAPACITY FOR ROOF.

Tools Needed

1/2" Socket and Wrench	3/8" Socket and Wrench
7/16" Socket and Wrench	Tape Measure

Table of Contents

Parts2

Hardware.....4

Step 1 – Remove End Stops6

Step 2 – Determine Front and Rear Pan6

Step 3 – Mount Cantilever Mechanism7

Step 4 – Install Dampers.....8

Step 5 – Install Latch.....9

Step 6 – Install Rear Pan10

Step 7 – Install Front Pan11

Step 8 – Install Hex Tube12

Step 9 –Attach Handle13

Step 10 – Install Ladder Stop14

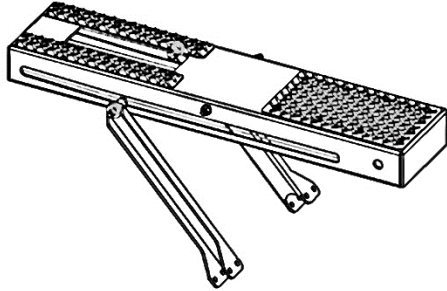
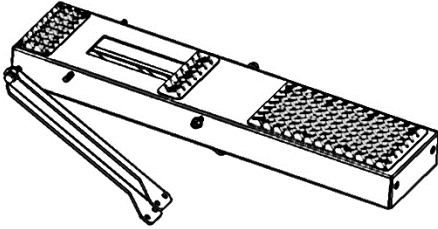
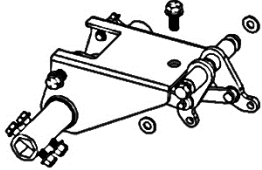
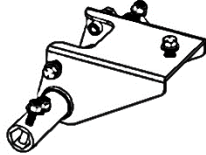
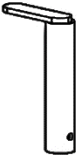
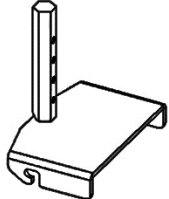
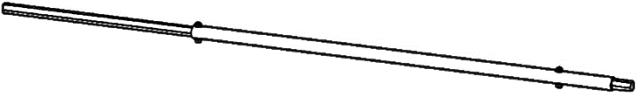

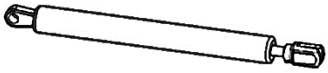
Step 11 – Assemble Ladder Hooks14

Step 12 – Install Ladder Hooks15

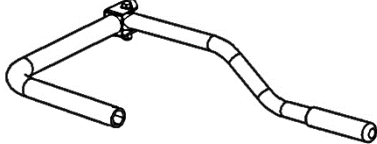


Before You Begin

- Read all instructions prior to installing any Kargo Master product.
- Have rack with bows installed on vehicle prior to installing this rack add-on.

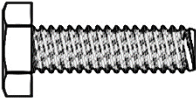



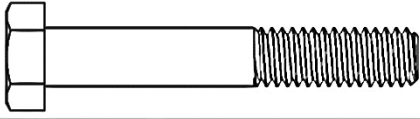
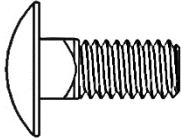

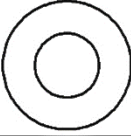
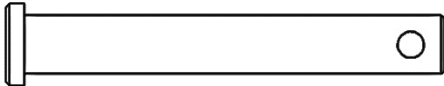
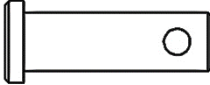
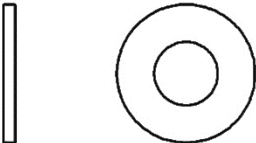
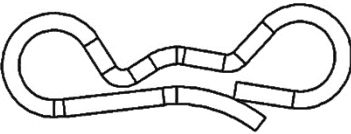

Parts

NO.	ITEM	PART NUMBER	DESCRIPTION	QTY.
1		4A900-30-2	FRONT PAN ASM	1
2		4A900-30-4	REAR PAN ASM	1
3		4A900-11-1	DAMPER BRACKET ASM	1
4		4A900-11-2	BRACKET ASM	1
5		4A900-35	LADDER HOOK	2
6		4A900-36	BASE LADDER HOOK WELDMENT	2
7		4A900-20	HEX TUBE ASM	1
8		4A900-20-001	HEX BAR, TORQUE, COUPLER	1
9		AVM SD500ALUM	DAMPER - VEJPS190 "J" ORFICE	2


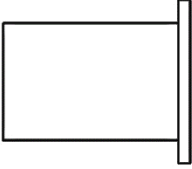

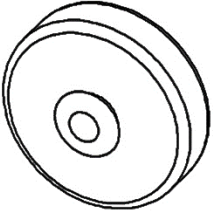
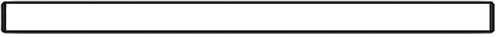
Parts (Continued)

NO.	ITEM	PART NUMBER	DESCRIPTION	QTY.
10		4A943-46	HANDLE ASM	1
11		4A92L-44	LATCH ASSY.	1
12		4A900-30-004	LADDER STOP	2
13		18-4A943	ASSEMBLY BOLT KIT	1

Hardware

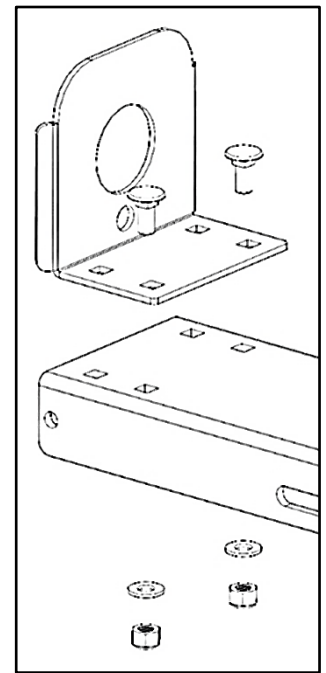
ITEM	HARDWARE TO SCALE	PART NUMBER	DESCRIPTION	QTY.
1		13004	1/4"-20 X 7/8" HEX HEAD BOLT	2
2		33618	1/4" LOCK WASHER	2
3		33078	1/4" WASHER	2
4			5/16-18 X 7" PTHH	1
5		11241182	5/16"-18 X 2" HEX HEAD BOLT	1
6		21810	5/16"-18 X 3/4" CARRIAGE BOLT	2
7		0169777	5/16"-18 LOCK NUT	4
8		33080	5/16" WASHER	6
9		0156744	5/16" X 2" CLEVIS PIN	1
10		0156919	5/16" X 3/4" CLEVIS PIN	2
11			.06X.34X.75 NYLON WASHER	2
12			5/16-3/8 BOW TIE COTTER PIN	3
13			1" OD RUBBER BUMPER, 1/2" HOLE, 5/16" THK	2

Hardware (Continued)

ITEM	HARDWARE TO SCALE	PART NUMBER	DESCRIPTION	QTY.
14			5/16" X 3/8" X 1" SLEEVE	2
15		2938T39	1" FLANGED BEARING FOR 3/8" SHAFT	2
16			.340" ID X 3/4" OD X .72" L PLASTIC SPACER	1
17		9960T26 (1:2 SCALE)	RUBBER WHEEL, 2-1/4" OD X 9/16" W	2
18		(1:2 SCALE)	AXLE	1
19		BH-821	SEALANT	1

Step 1 – Remove End Stops

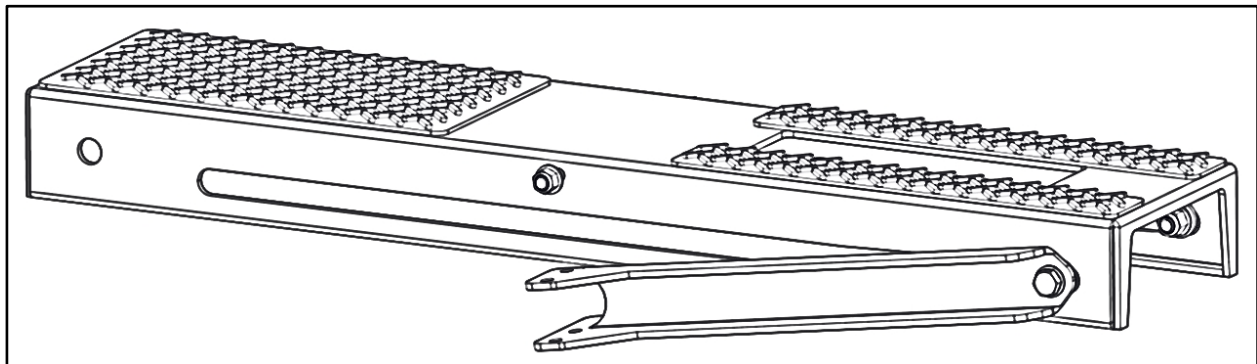
- If installed, remove end stops at the end of each bow, opposite from the pan mechanism.
- Repeat for second bow.



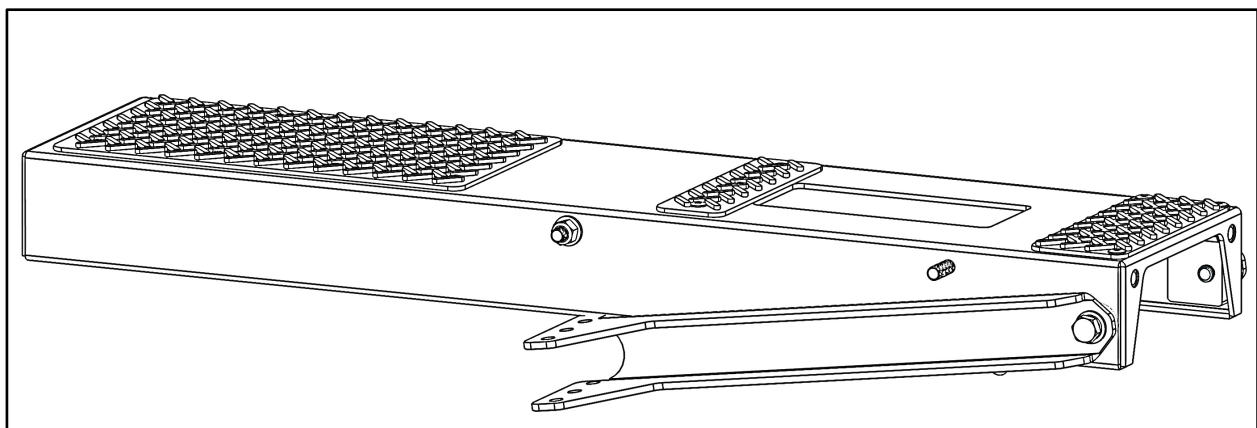
Step 2 – Determine Front and Rear Pan

The front pan will have a slot in the pan.

Front Pan

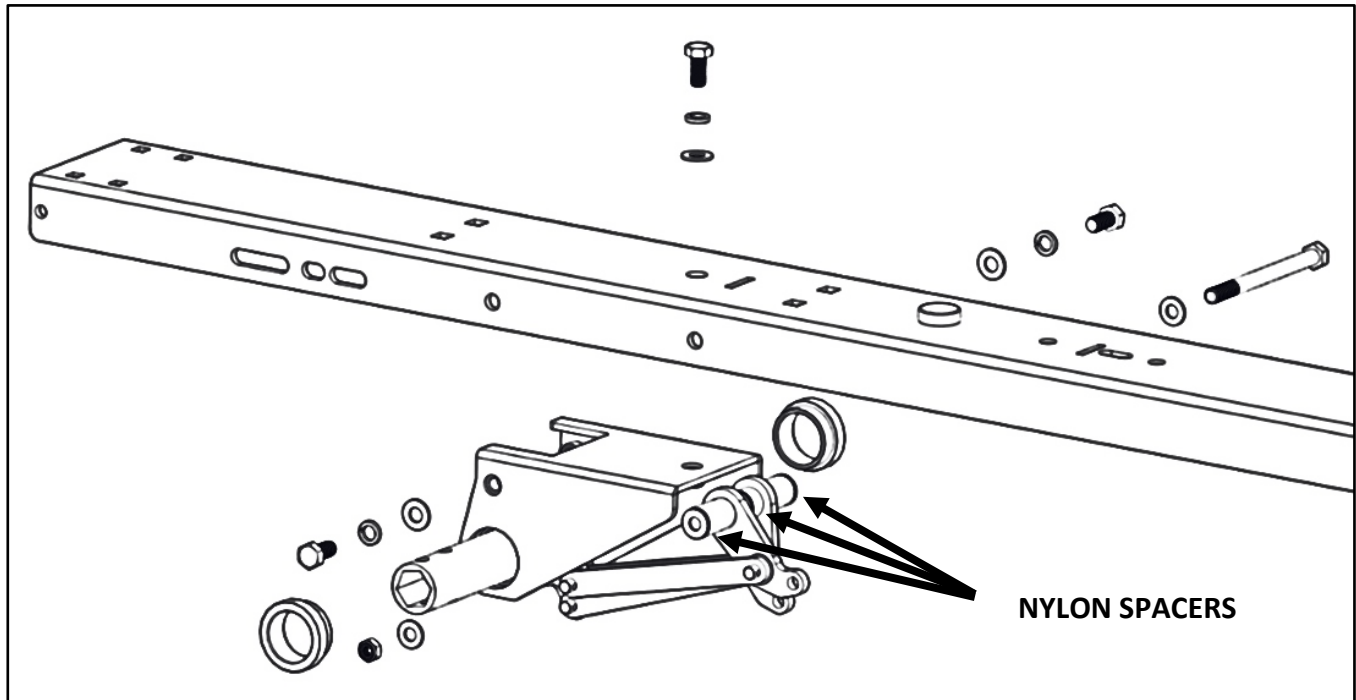


Rear Pan

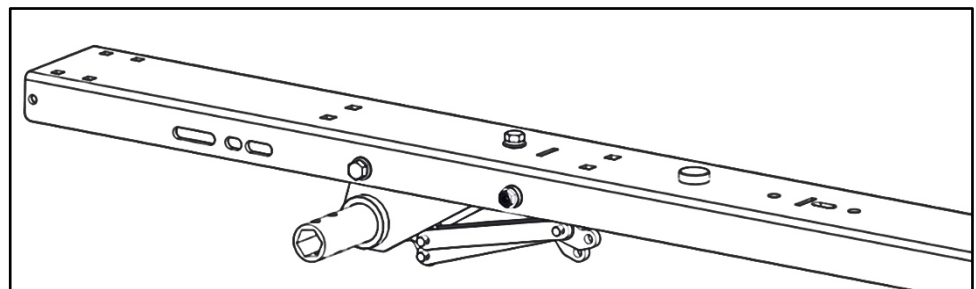


Step 3 – Mount Cantilever Mechanism

- Using existing hardware attached to damper bracket assembly, mount cantilever mechanism to the under side of the rear bow in the location shown.
- **Be sure the two bushings are in place. The 4-3/4" bolt will get nylon spacers near the moving parts.**
- Snug tighten, but allow movement.

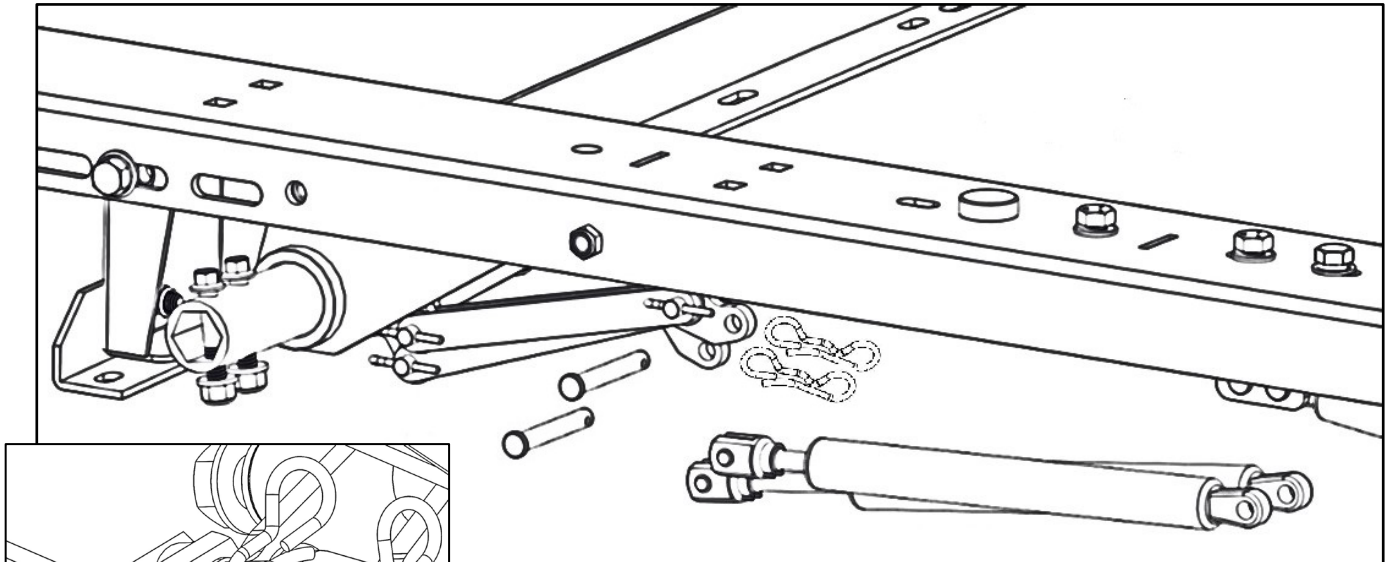


****Removing foot may make installation easier.****

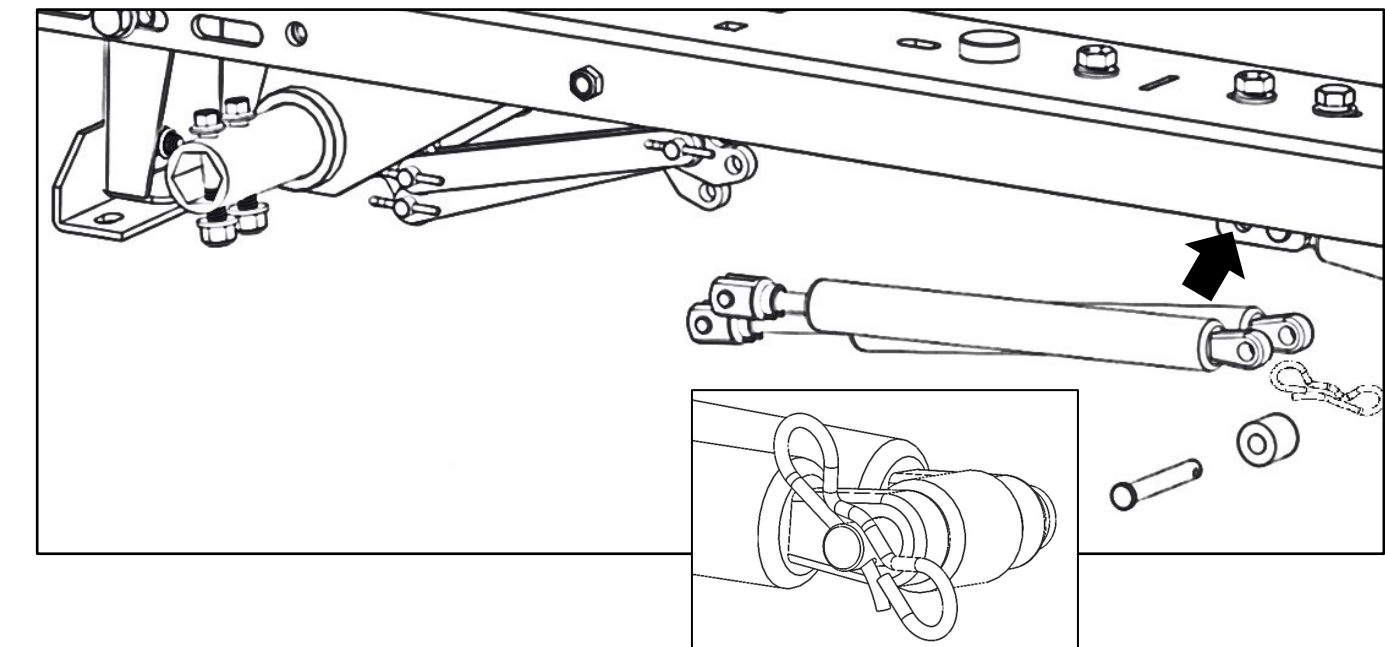


Step 4 – Install Dampers

- Install dampers in orientation shown.
- Install one end of each damper to damper bracket assembly using 2" clevis pin, cotter pin and plastic spacer in orientation shown.
- Using a 2" clevis pin, cotter pin and plastic spacer, install The plastic spacer goes in between two dampers.
- In some situations, one may need to wait until handle assembly is installed to attach both sides of the dampers. This is so you can use the handle to help adjust the damper.

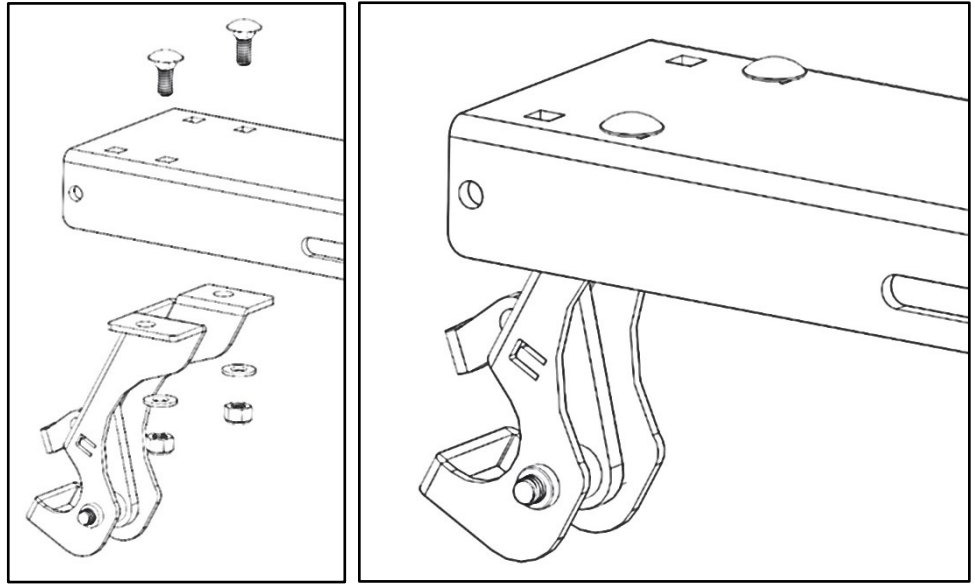


- Securely install cotter pin through each clevis pin to ensure dampers stay in place.

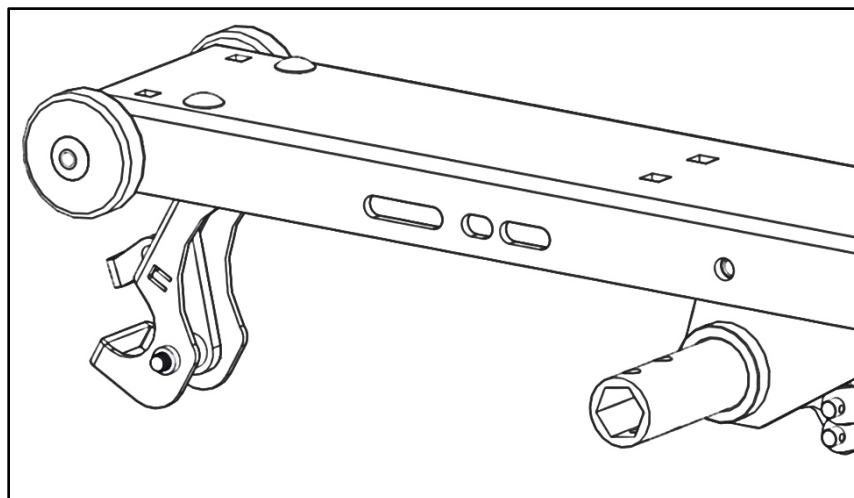
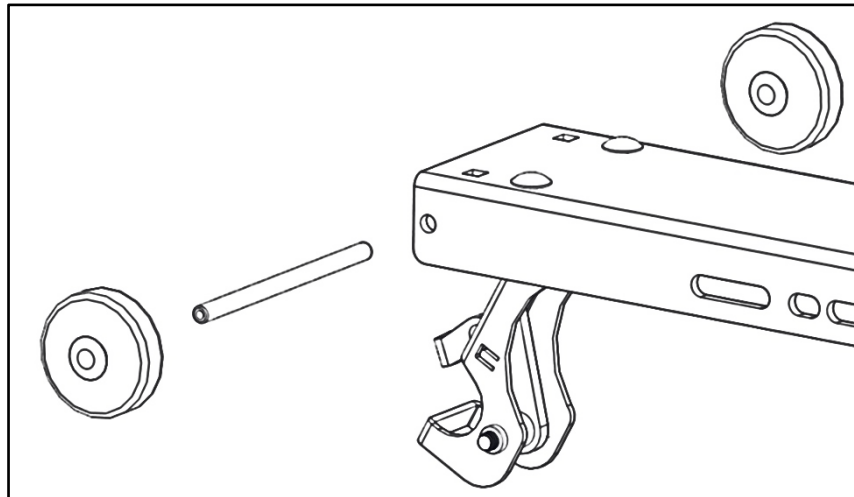


Step 5 – Install Latch

- Install latch assembly to the exposed end of the rear bow.
- Use 5/16" x 3/4" carriage bolts, 5/16" flat washers and 5/16" lock nuts in orientation shown.

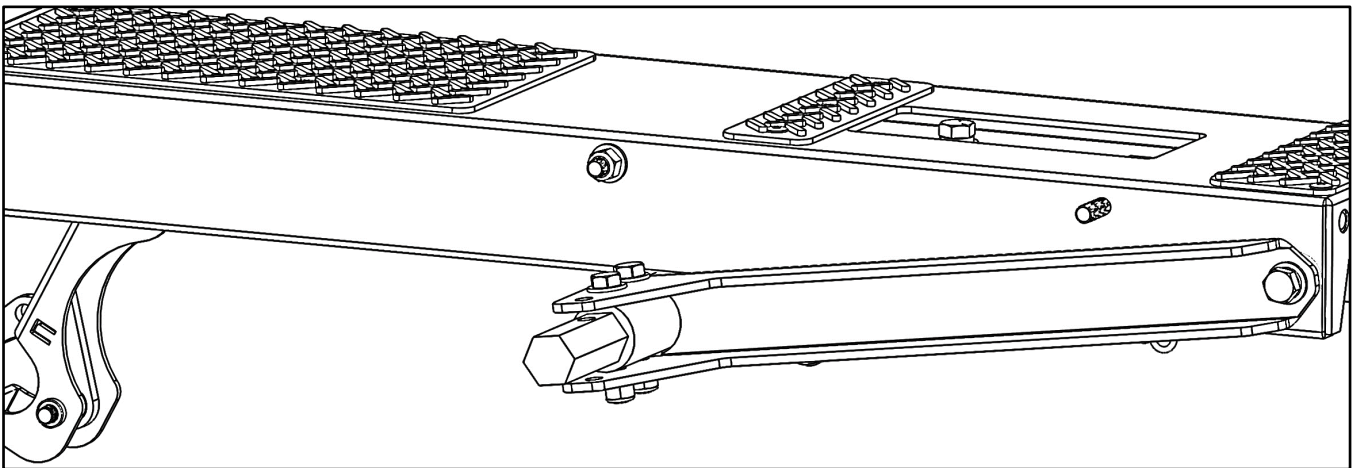
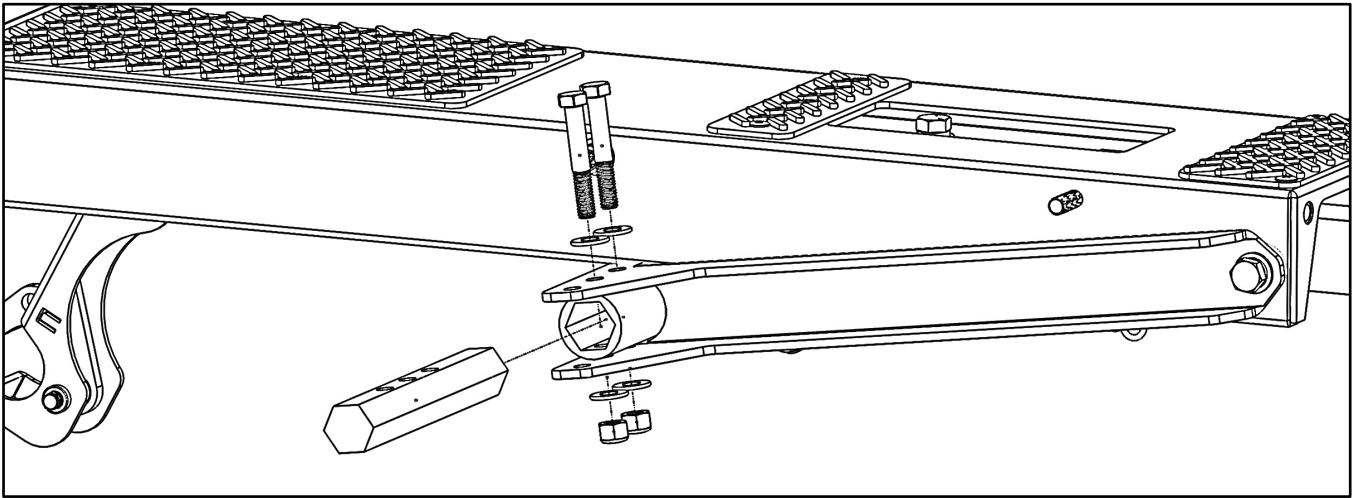


- Install wheel assembly. Slide wheel axle in the end of the rear bow. Place a wheel on each end of the axle. **Be sure cap on end the wheel remains in place.**



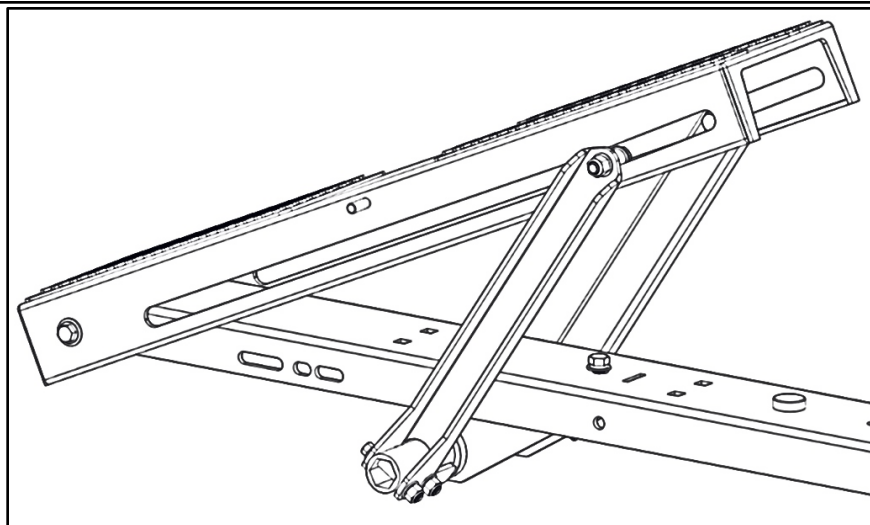
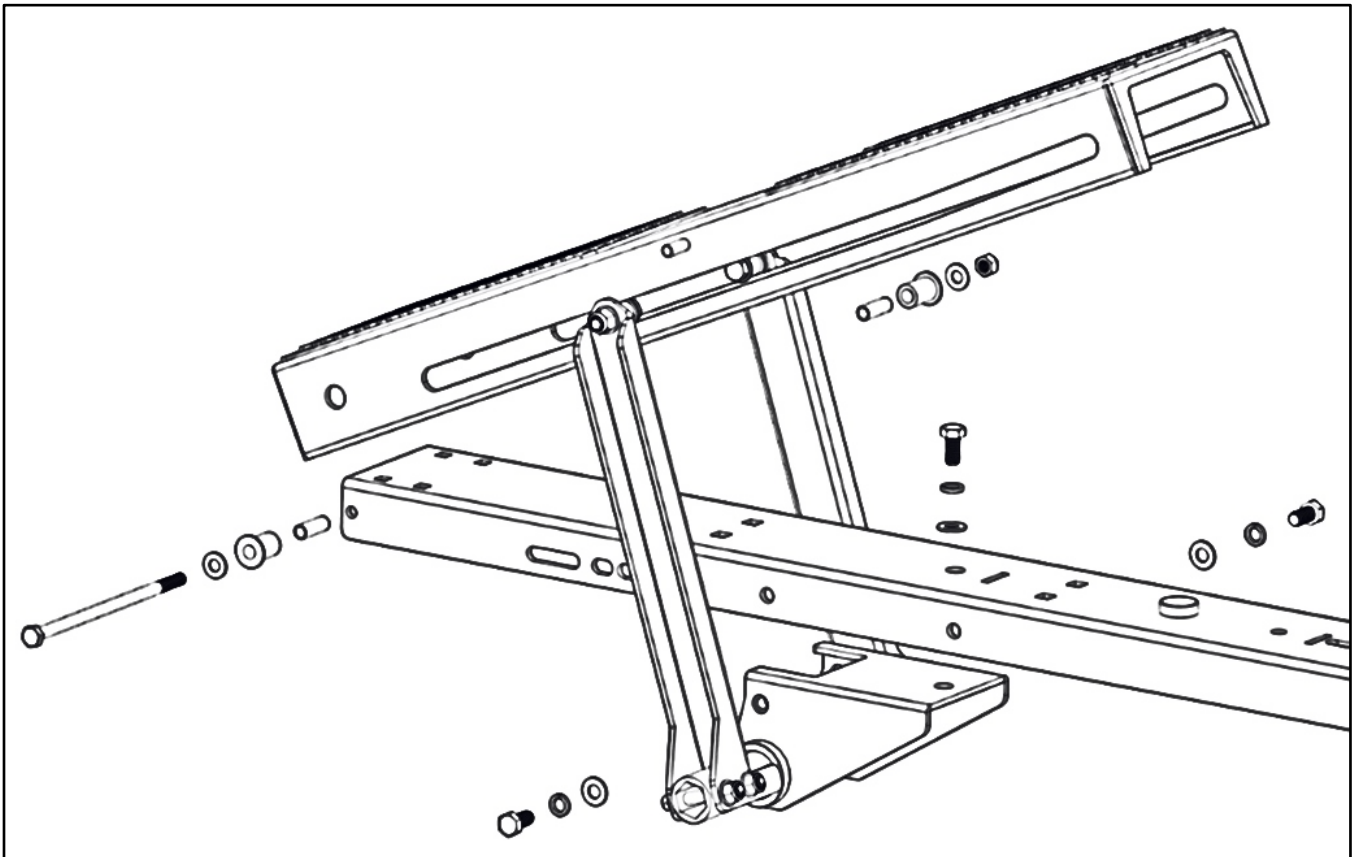
Step 6 – Install Rear Pan

- Place rear pan on top of wheels and bow. **Be sure the wheel caps do NOT come off.**
- Slide handle hex bar into position shown.
- Bolt together using 5/16" x 2" hex head bolts, 5/16" washers, and 5/16" lock nuts, leaving the hole shown empty.
- Snug tighten, but allow movement.



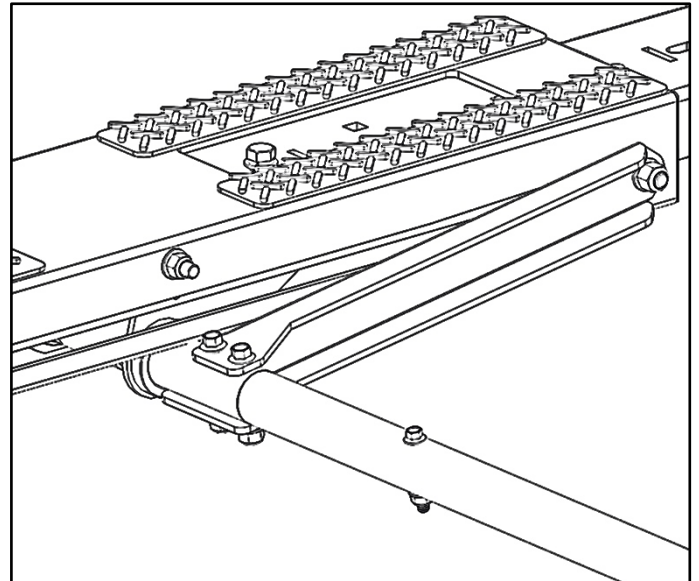
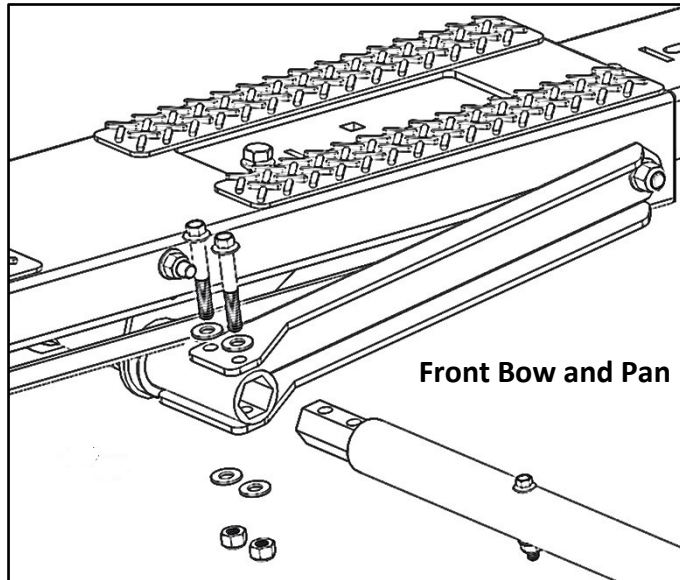
Step 7 – Install Front Pan

- Place front pan on top of front bow.
- Place cantilever housing under bow as shown.
- Bolt pan arms to cantilever housing using existing bolts.
- At the end of the bow, bolt pan to the bow using 5/16" x 7" hex head bolt, 5/16" flat washers, sleeve bearings and 3/8" shaft sleeve, in order shown.
- Bolt together using existing hardware. There are three sets of hardware attaching the cantilever housing to the bow.
- Snug tighten, but allow movement.

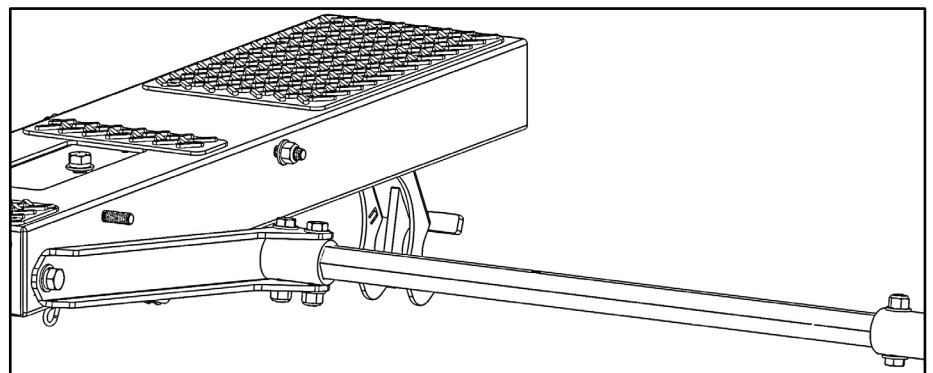
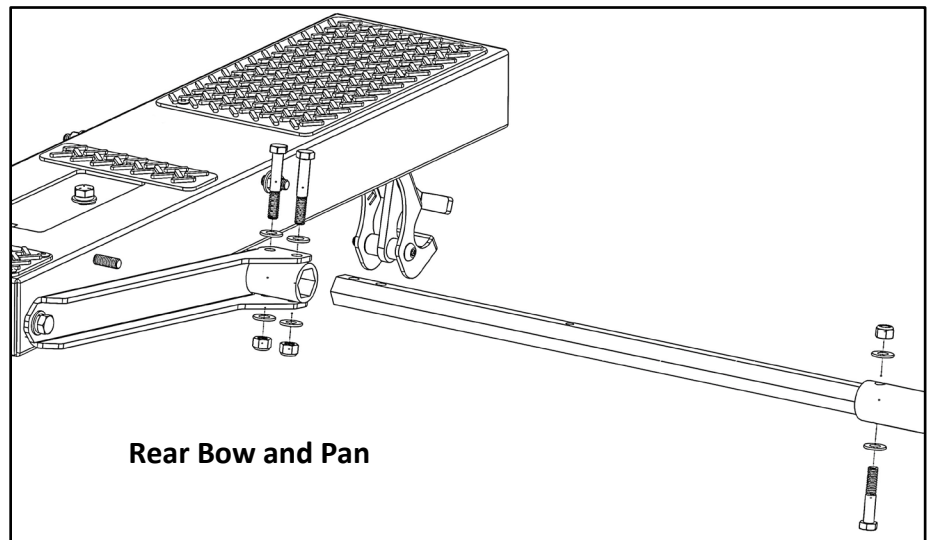


Step 8 – Install Hex Tube

- Install hex tube to front pan assembly using two 5/16" x 2" hex head bolts, four 5/16" washers, and two 5/16" lock nuts .
- Use the end of the hex tube assembly with two exposed holes to mount into front pan.

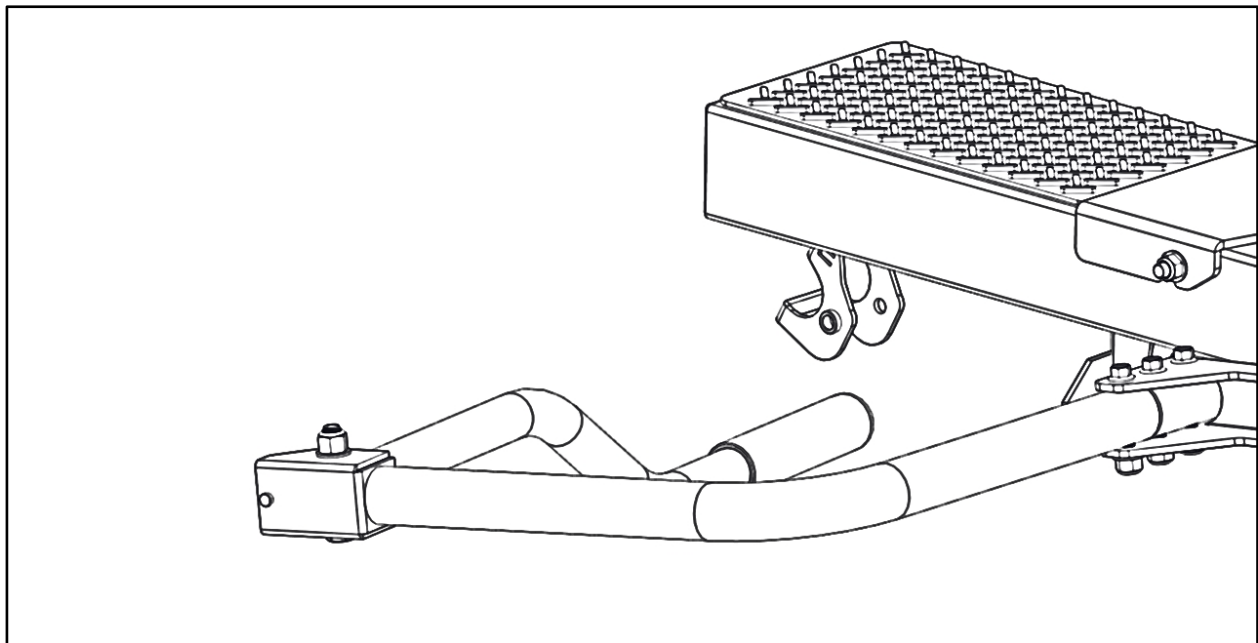
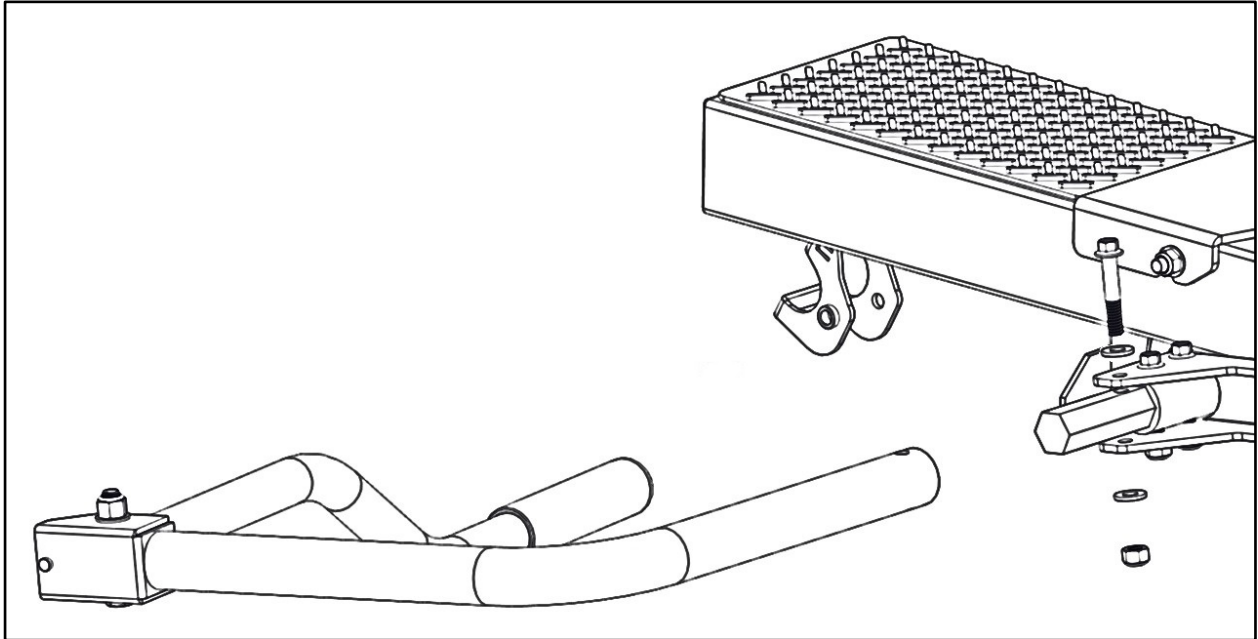


- Slide hex tube and install on rear pan.
- Bolt to rear pan using two 5/16" x 2" hex head bolts, four 5/16" washers, and two 5/16" lock nuts.
- It may be necessary to remove center bolt in hex tube assembly to install to rear pan.
- Once bolted to rear pan, adjust hex tube to line holes up with the hex sleeve.
- **Once aligned, bolt through both the hex sleeve and hex tube using supplied 5/16" x 1-3/4" hex bolt, 5/16" washer, and 5/16" lock nut.**
- TIGHTEN all bolts on both front and rear bows.



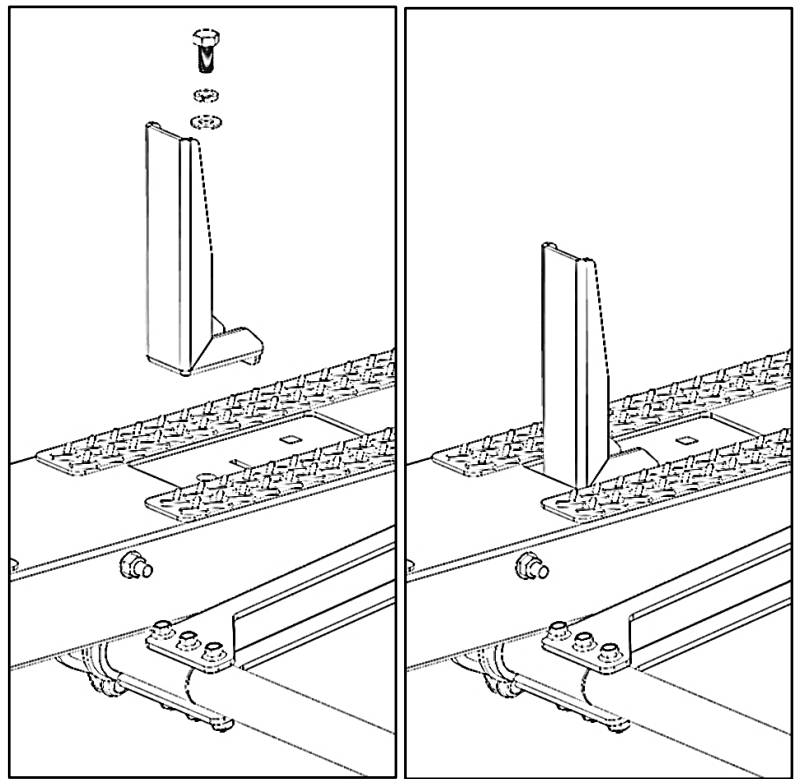
Step 9 – Attach Handle

- Attach handle to rear pan using 5/16" x 2" hex head bolt, two 5/16" flat washers and a 5/16" lock nut.
- TIGHTEN.



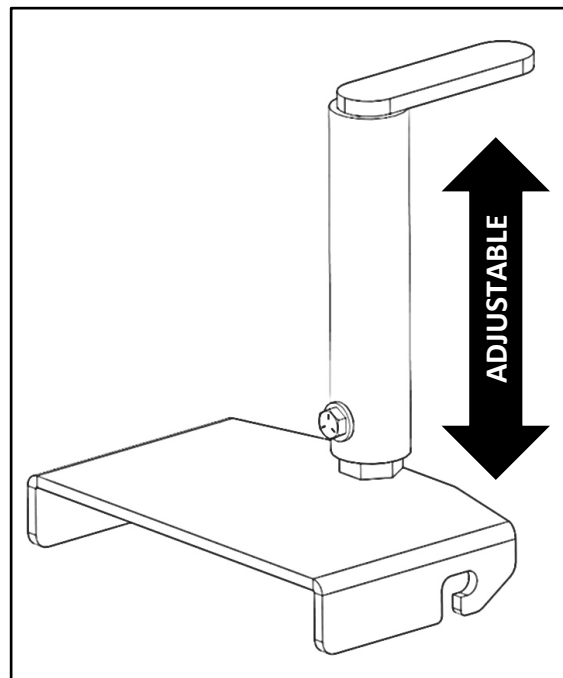
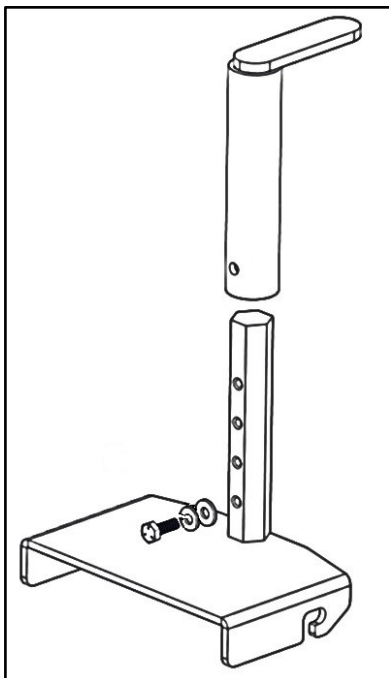
Step 10 – Install Ladder Stop

- Using the hardware on the bows, bolt the ladder stop in the orientation shown. Be sure to line up slot in bow with slot in stop.
- TIGHTEN.
- Repeat for second bow and ladder stop.



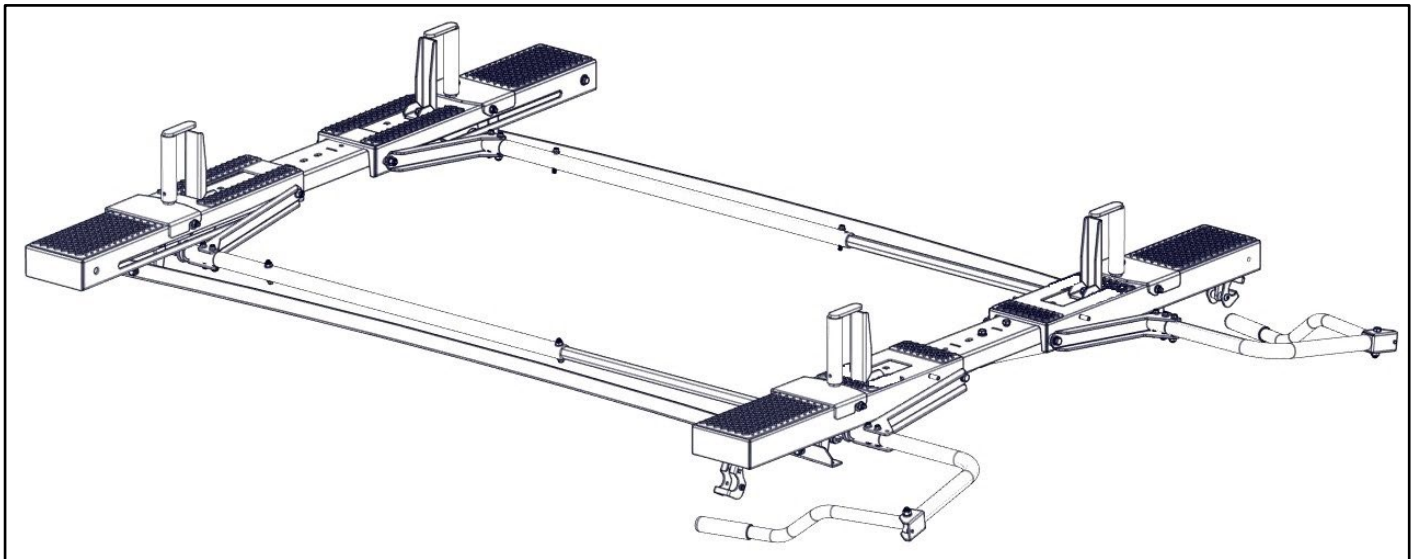
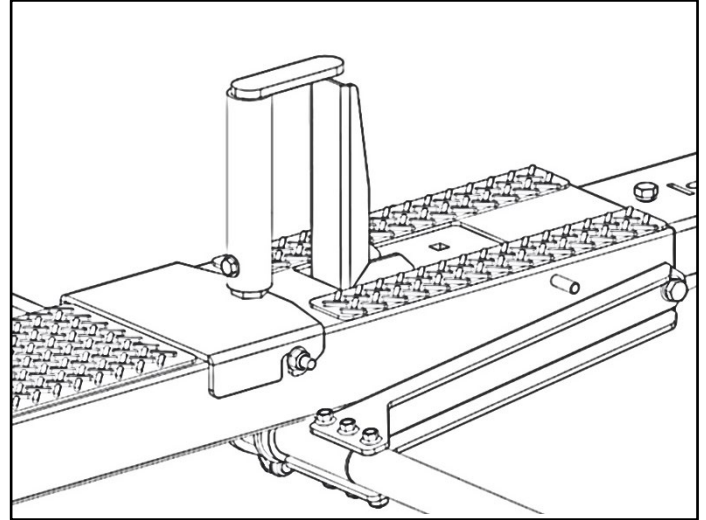
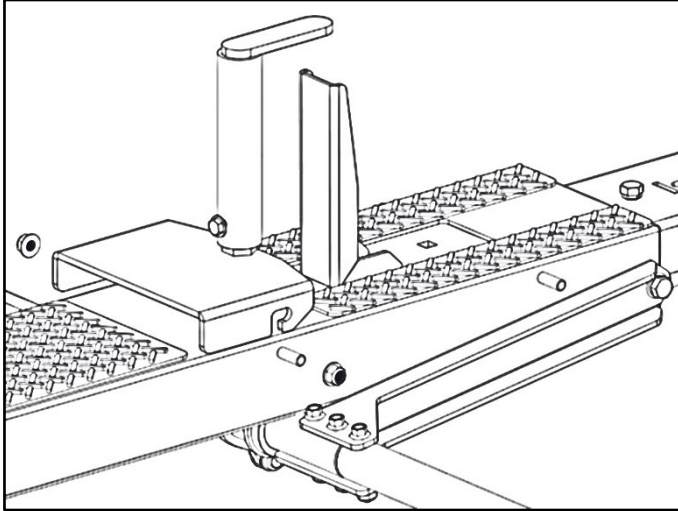
Step 11 – Assemble Ladder Hooks

- Bolt ladder hook to ladder hook weldment as shown.
- Use 1/4" x 7/8" hex head, 1/4" lock washer, and 1/4" flat washer. **Be sure to adjust later.**
- TIGHTEN.
- Repeat for second bow and ladder hook.



Step 12 – Install Ladder Hooks

- Using the hardware and installed studs on the bows, loosen nuts and slide ladder hook into place.
- TIGHTEN.



GO BACK AND TIGHTEN ALL BOLTS FROM PREVIOUS STEPS.

BE SURE HARDWARE IN MOUNTING IS TIGHT.

YOUR INSTALLATION IS NOW COMPLETE.