

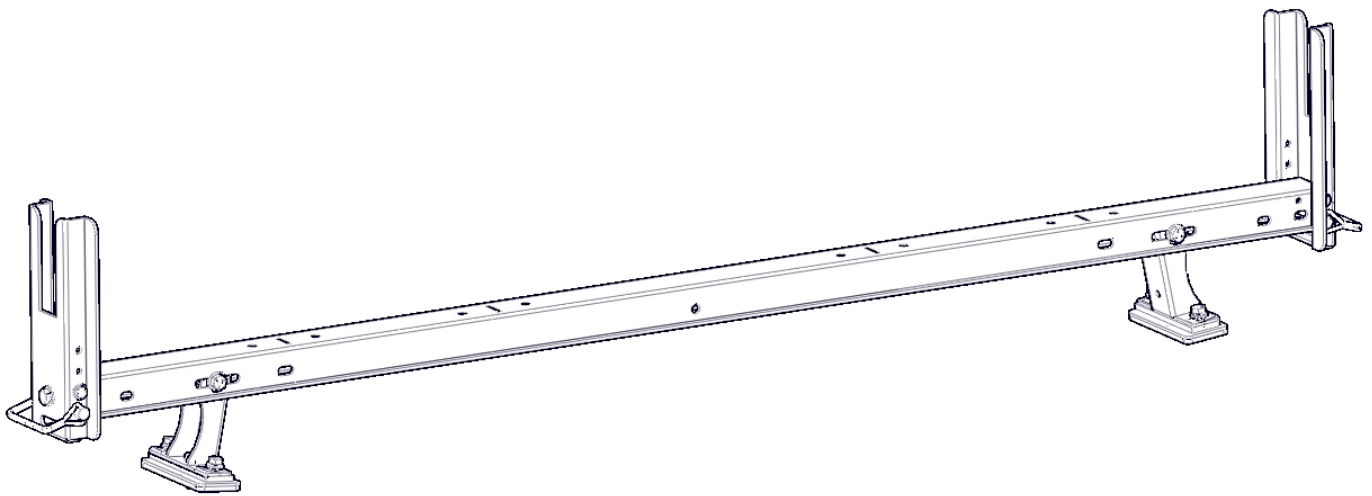
---

# Holman

---

## Instruction Guide 4A822

---



---

Holman  
Rancho Cordova, CA 95742  
800-343-7486  
InstallationSupport@Holman.com

---

**\* PLEASE READ ALL INSTRUCTIONS AND WARNINGS PRIOR TO ASSEMBLING, INSTALLING, AND USING THIS PRODUCT. \***

## Warning



Always check for wires, fuel tanks and lines, brake lines and other important vehicle functionality items prior to drilling and installing all products.

## Tools Needed

|                         |                         |
|-------------------------|-------------------------|
| 9/16" Socket and Wrench | 7/16" Socket and Wrench |
| 13mm Socket and Wrench  | 10mm Socket and Wrench  |

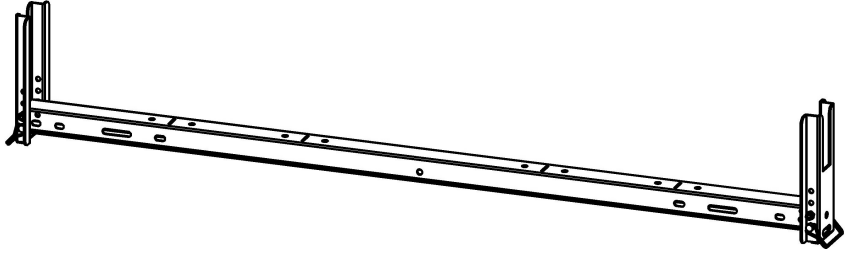
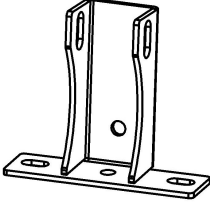
## Table of Contents

|   |    |
|---|----|
| Before You Begin.....                               | 1  |
| Parts .....   | 2  |
| Assembly Hardware (18-4A822-A).....                 | 2  |
| Step 1 – Adjustment of Uprights.....                | 3  |
| Step 2 – Assembly of Foot.....                      | 4  |
| Installation Instructions                           |    |
| Installation Hardware (To Scale) (18-4A821-M) ..... | 5  |
| Transit Connect.....                                | 7  |
| Transit.....  | 8  |
| ProMaster City.....                                 | 9  |
| NV200/Chevy City Express.....                       | 10 |
| Metris .....  | 11 |
| NV .....  | 12 |

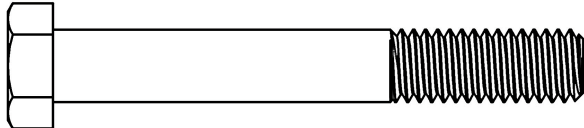
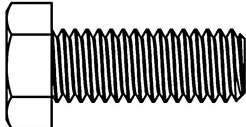
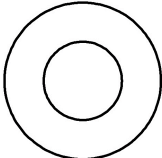
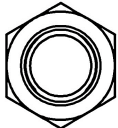
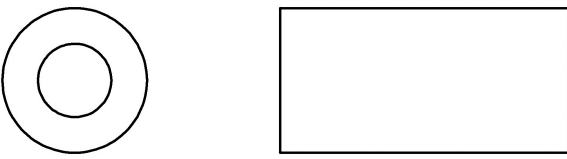
## Before You Begin

- Read all instructions.
- Be sure to put sealant around all threads entering cargo area and between the rubber spacer and roof of vehicle to prevent water from leaking into cargo area.
- Ensure ALL hardware is tight at the conclusion of the instructions.

## Parts

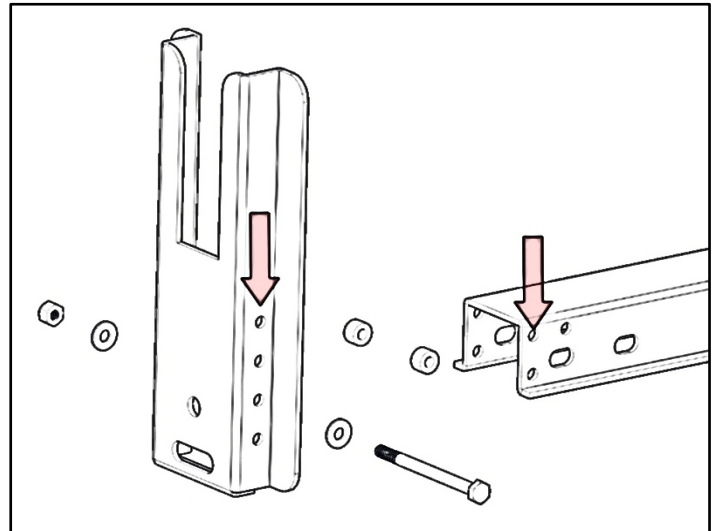
| NO. |  | PART NUMBER  | DESCRIPTION          | QTY. |
|-----|--|--------------|----------------------|------|
| A   |  | 4A821-10     | CROSSBAR<br>ASM      | 1    |
| B   |   | 4A822-10-001 | SLOT FOOT-AL         | 2    |
|     |  | 18-4A822-A   | ASSEMBLY<br>HARDWARE | 1    |
|     |  | 18-4A822-M   | MOUNT<br>HARDWARE    | 1    |

## Assembly Hardware (18-4A822-A)

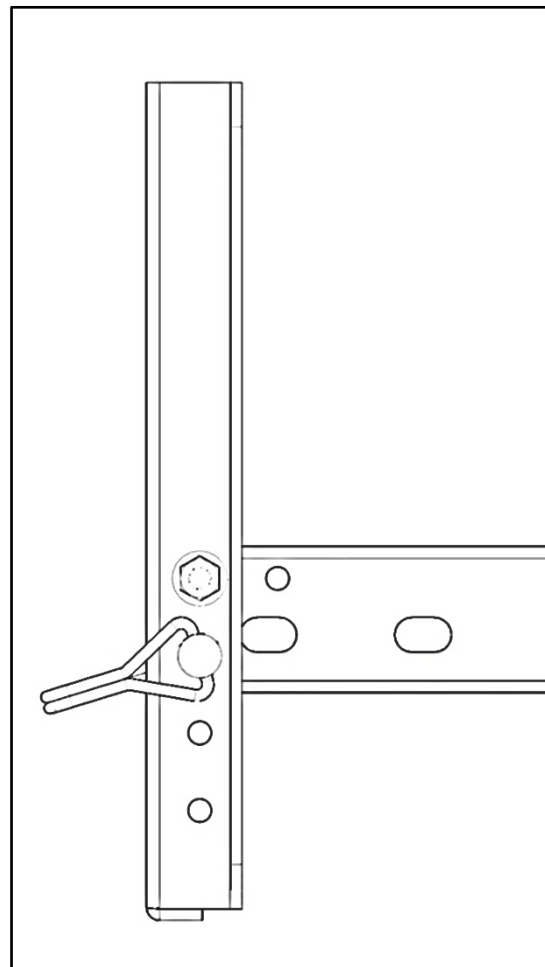
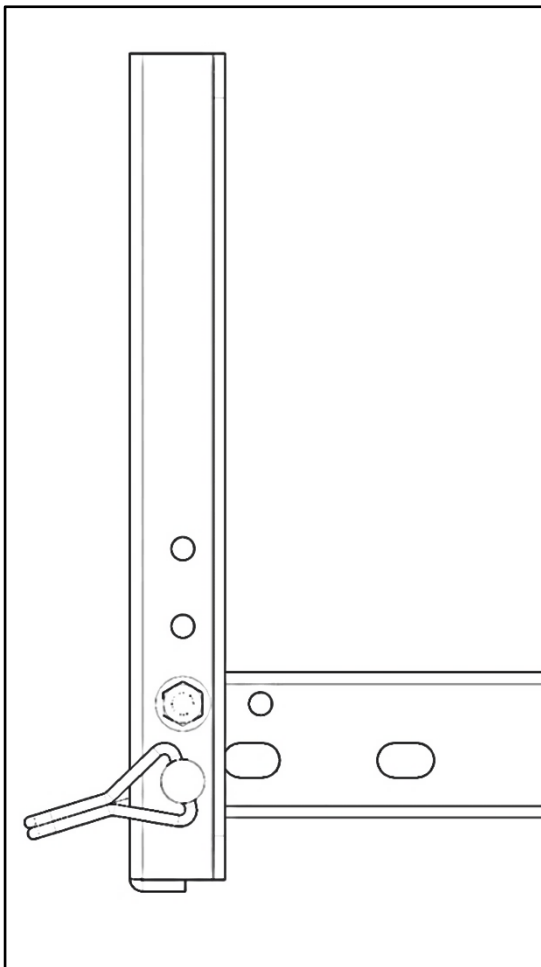
| ITEM NO. | TO SCALE  | PART NUMBER | DESCRIPTION                  | QTY. |
|----------|---|-------------|------------------------------|------|
| 1        |  | 92198A635   | 3/8"-16 x 2-3/4" Hex<br>Head | 2    |
| 2        |  | 92240A624   | 3/8"-16 x 1" Hex Head        | 2    |
| 3        |  | 96659A108   | 3/8" Flat Washer             | 8    |
| 4        |  | 91831A127   | 3/8"-16 Nyloc                | 4    |
| 5        |  |             | Nylon Spacer                 | 2    |

## Step 1 – Adjustment of Uprights

- The uprights at each end of the crossbar come preinstalled.
- If van upright is not at desired height, remove bolts and adjust accordingly. Be sure to have one hole open below where van upright is bolted to cross member.
- Repeat on other side of cross member.
- Insert pin through the van upright and the cross member, using the open hole below the previously installed hex bolt.
- TIGHTEN.

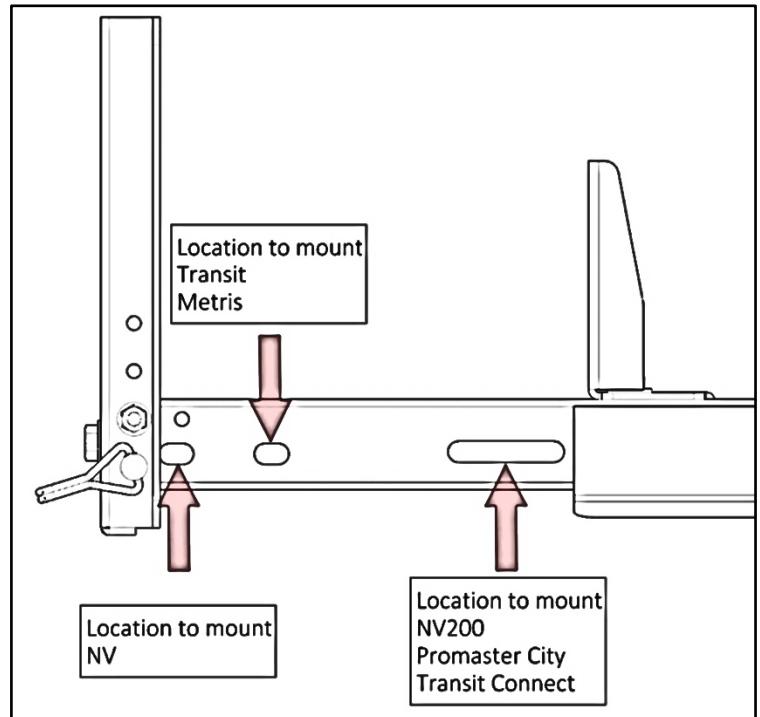


**Below shows different heights of van uprights**

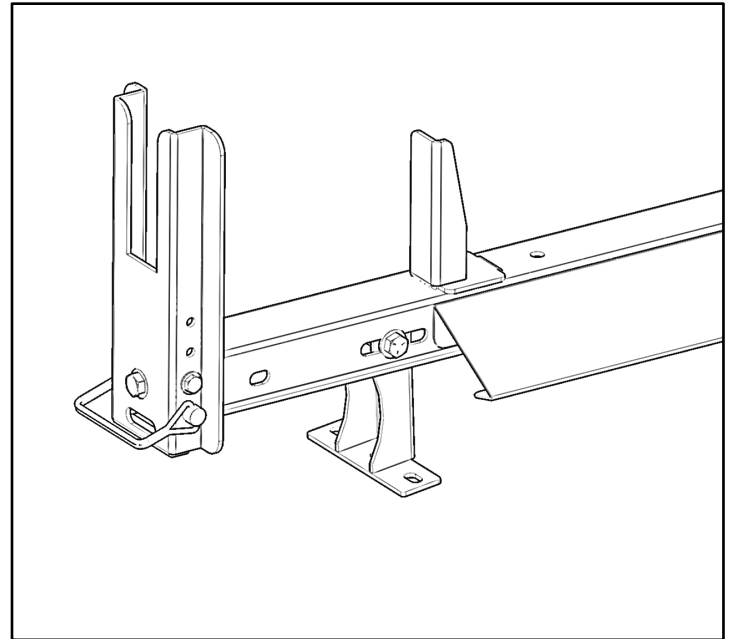
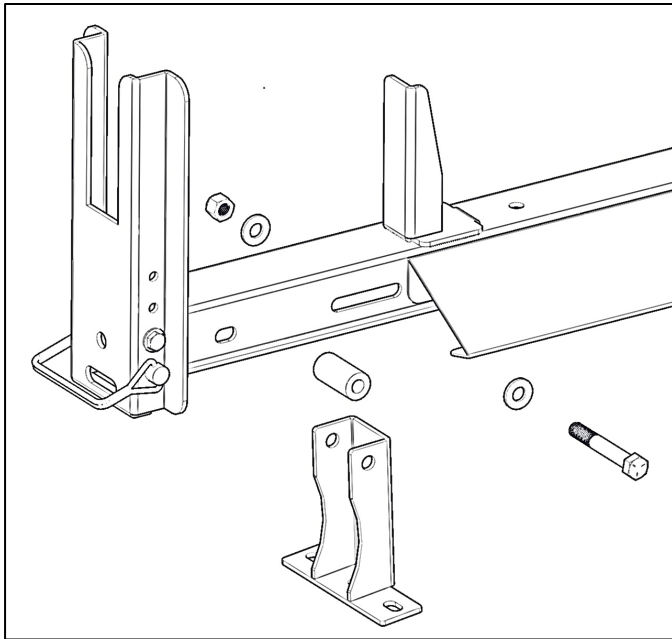


## Step 2 – Assembly of Foot

- Depending on your vehicle, the foot will mount in different slots.



- Use a 3/8" x 2-3/4" hex head bolt, two 3/8" flat washers, and a 3/8" lock nut to bolt foot (B) to cross member (A). Be sure to insert the nylon spacer inside foot.
- Have the cup in the foot facing outward, as shown.
- Do NOT tighten.
- Repeat on opposite side.

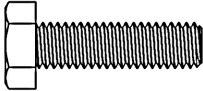
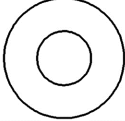
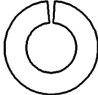
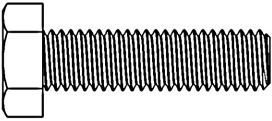
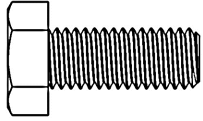
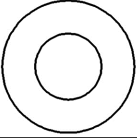
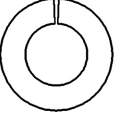
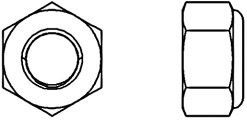
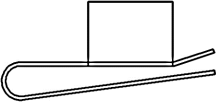
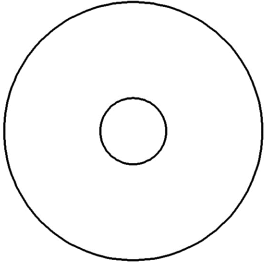


**For installation, follow your vehicles instructions below.**

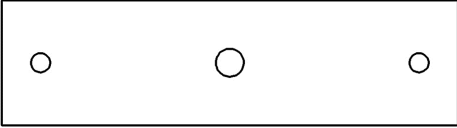
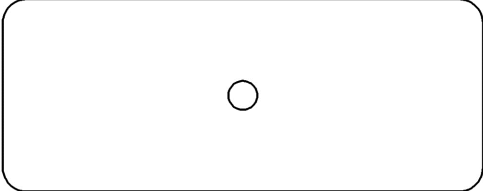
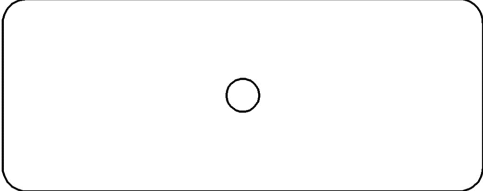
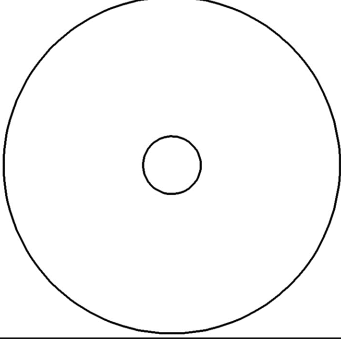
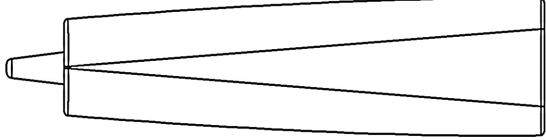
## Installation Instructions

- Find vehicle below, follow instructions from there.

### Installation Hardware (18-4A822-M)

| ITEM | HARDWARE TO SCALE   | PART NUMBER | DESCRIPTION                      | QTY. |
|------|---|-------------|----------------------------------|------|
| 1    |    | 38560       | M6 X 1.0 X 22MM<br>HEX HEAD BOLT | 4    |
| 2    |    | 33078       | 1/4" FLAT WASHER                 | 4    |
| 3    |    | 33618       | 1/4" LOCK WASHER                 | 4    |
| 4    |    | 11552488    | M8-1.25 X 30MM<br>HEX HEAD BOLT  | 2    |
| 5    |    | 11552486    | M8-1.25 X 20MM<br>HEX HEAD BOLT  | 4    |
| 6    |   | 33080       | 5/16" WASHER                     | 8    |
| 7    |  | 1171067     | 5/16" LOCKING<br>WASHER          | 4    |
| 8    |  | 11511017    | M8-1.25 NYLON<br>NUT             | 2    |
| 9    |  | 0162867     | M8 U- Nut                        | 4    |
| 10   |  | 33216       | 5/16" FENDER<br>WASHER           | 2    |

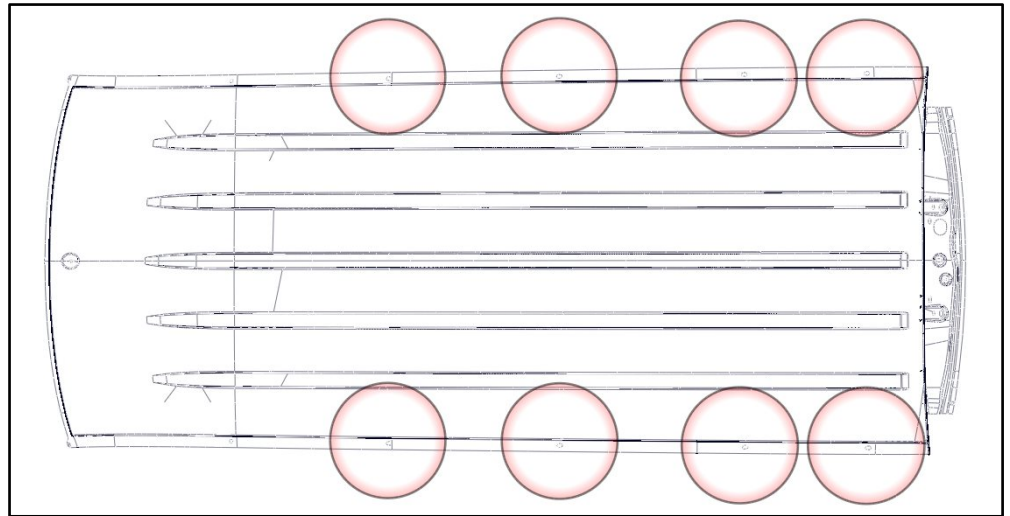
## Installation Hardware (Continued)

| ITEM | HARDWARE TO SCALE   | PART NUMBER  | DESCRIPTION                         | QTY. |
|------|---|--------------|-------------------------------------|------|
| 11   |    | 40821-10-004 | 3 HOLE RUBBER PAD                   | 2    |
| 12   |    | T249-02      | RUBBER                              | 2    |
| 13   |    | T250-01      | TRANSIT ROOF PLATE                  | 2    |
| 14   |   | -            | 1/8" X 5/16" X 1-3/4" RUBBER WASHER | 2    |
| 15   |  | BH-821       | SELF LEVELING ADHESIVE SEALANT      | 1    |

## Transit Connect

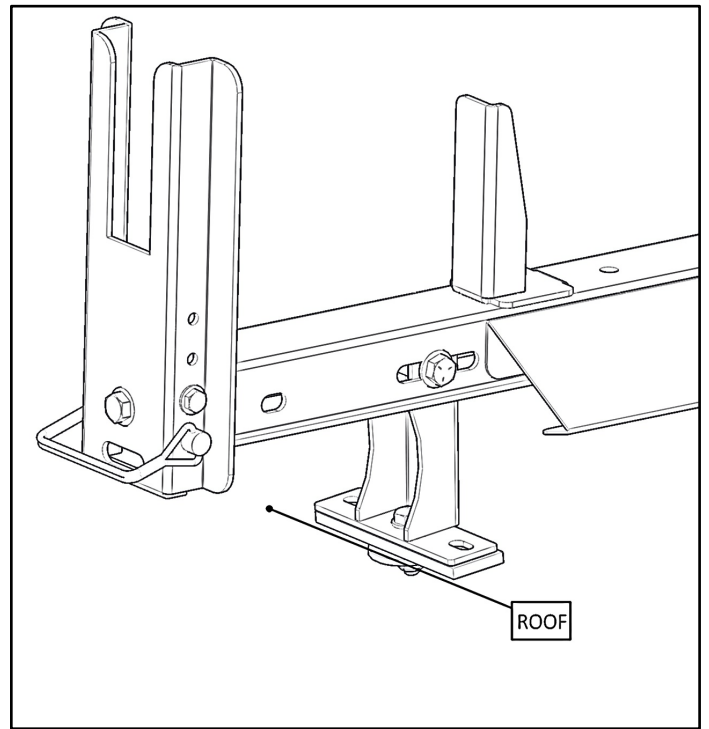
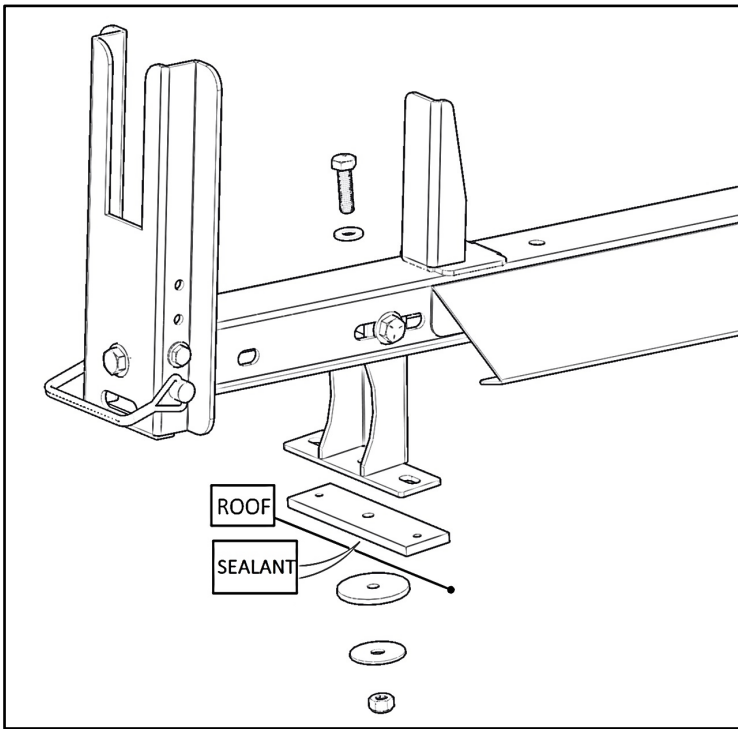
### Step 1

- Locate 2 mounting locations in roof for the crossbar to be installed.
- Remove plug from desired mounting locations in roof.



### Step 2

- Bolt through the mount foot (B) into the exposed holes in roof using one M8 x 30mm hex head, one 5/16" flat washer, a rubber spacer, a rubber washer, one 5/16" fender washer, and one M8 lock nut, in the order shown.
- Be sure to put a rubber spacer in between mount foot (B) and roof of van as shown below.
- The roof goes in between rubber spacer and rubber washer.
- Place sealant between rubber spacer and roof of van and around threads to ensure no water leaks into van.
- Repeat for opposite side.



### Step 3

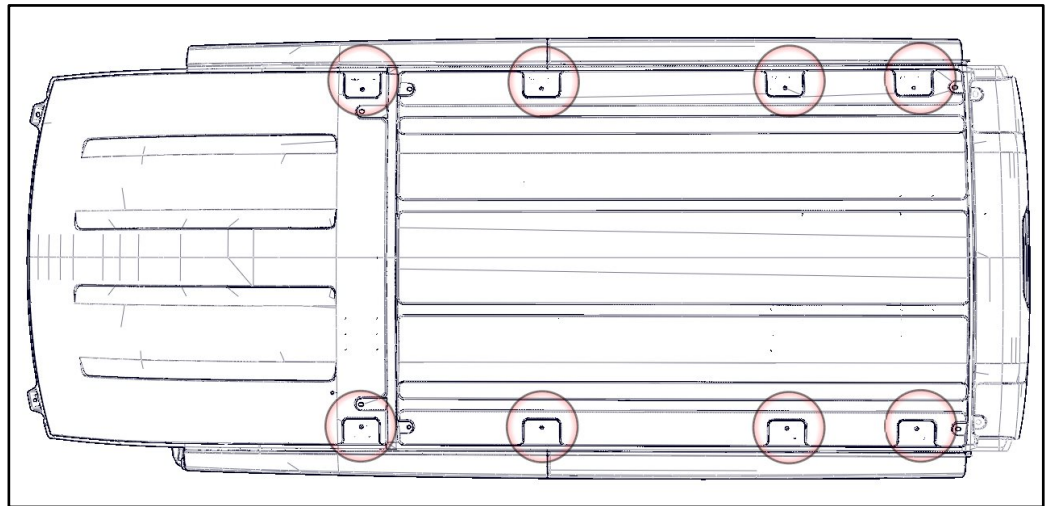
- Go back and tighten all hardware including hardware on the rack itself.



## Transit

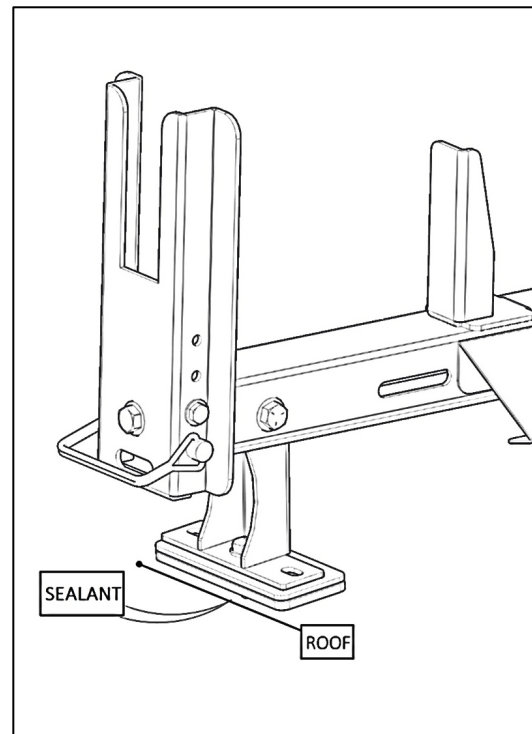
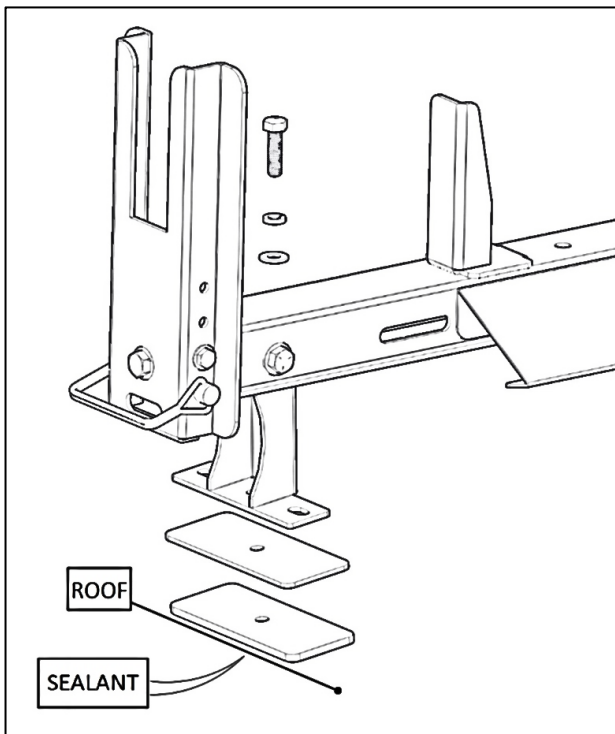
### Step 1

- Locate 2 mounting locations on roof for the crossbar to be installed.
- Remove plug from desired mounting locations in roof.



### Step 2

- Bolt through the mount foot (B) into the exposed holes in roof using one M8 x 30mm hex head, one 5/16" lock washer, one 5/16" flat washer, a metal plate, and a rubber pad, in the order shown.
- Be sure to put rubber pad and metal plate in between mount foot (B) and roof of van as shown below. The rubber pad goes on the roof.
- Place sealant between rubber pad and roof of van and around threads to ensure no water leaks into van.
- Repeat for opposite side.



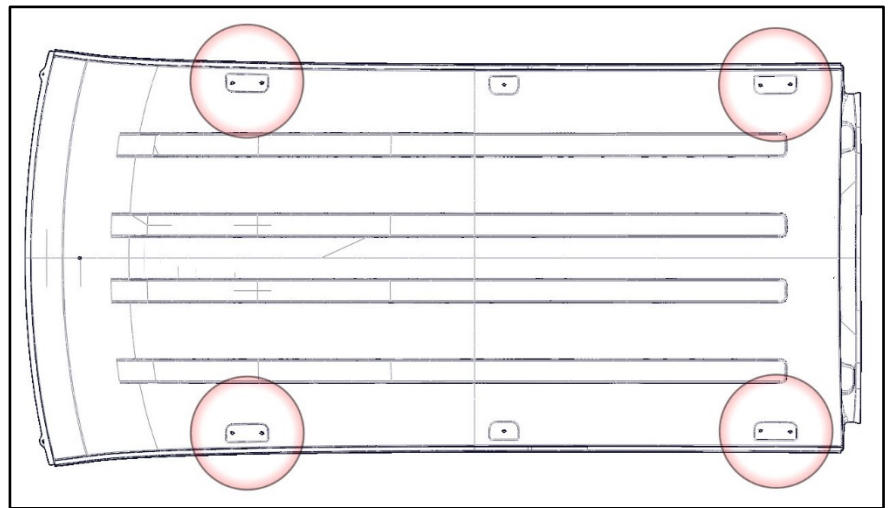
### Step 3

- Go back and tighten all hardware including hardware on the rack itself.

## ProMaster City

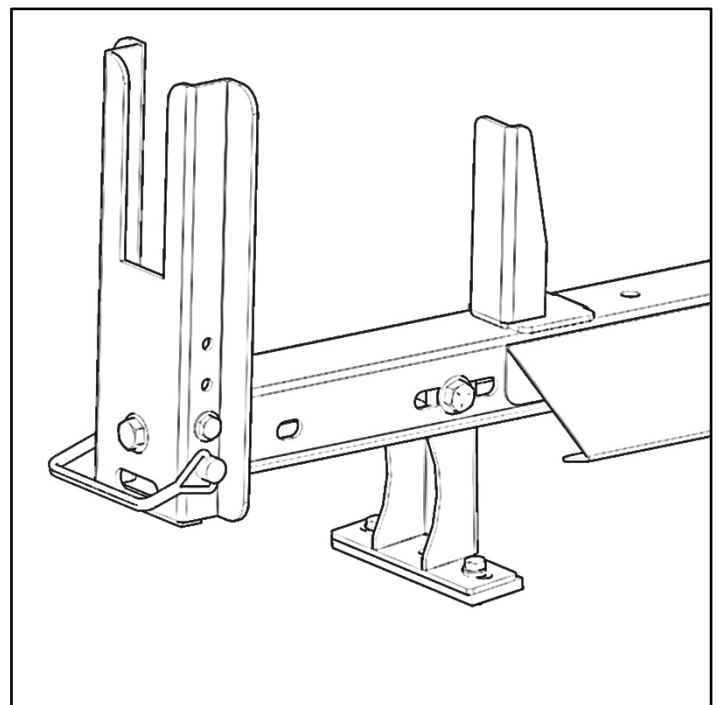
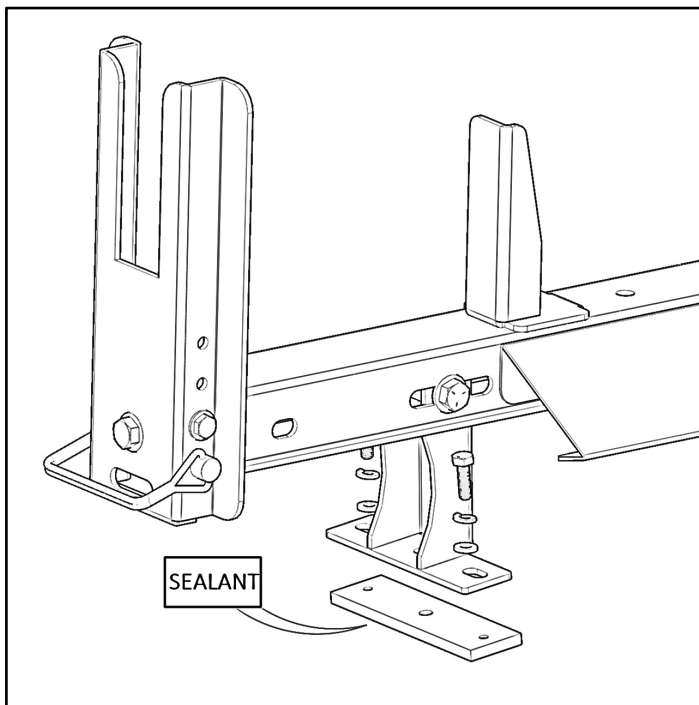
### Step 1

- Locate 2 mounting locations on roof for the crossbar to be installed.
- Remove plug from desired mounting locations in roof.



### Step 2

- Bolt through the mount foot (B) into the exposed holes in roof using one M6 x 22mm hex head, one 1/4" lock washer, one 1/4" flat washer, and a rubber spacer, in the order shown.
- Be sure to put a rubber spacer in between mount foot (B) and roof of van as shown below.
- Place sealant between rubber spacer and roof of van and around threads to ensure no water leaks into van.
- Repeat for opposite side.



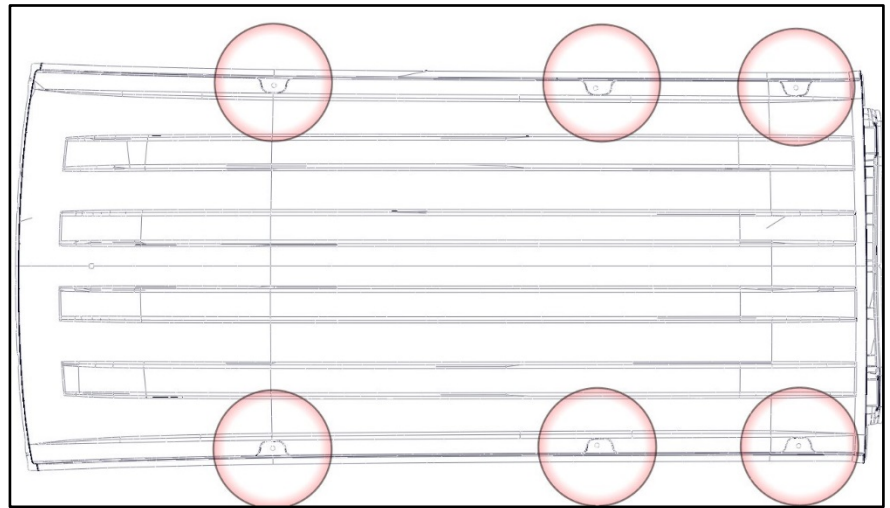
### Step 3

- Go back and tighten all hardware including hardware on the rack itself.

## NV200/Chevy City Express

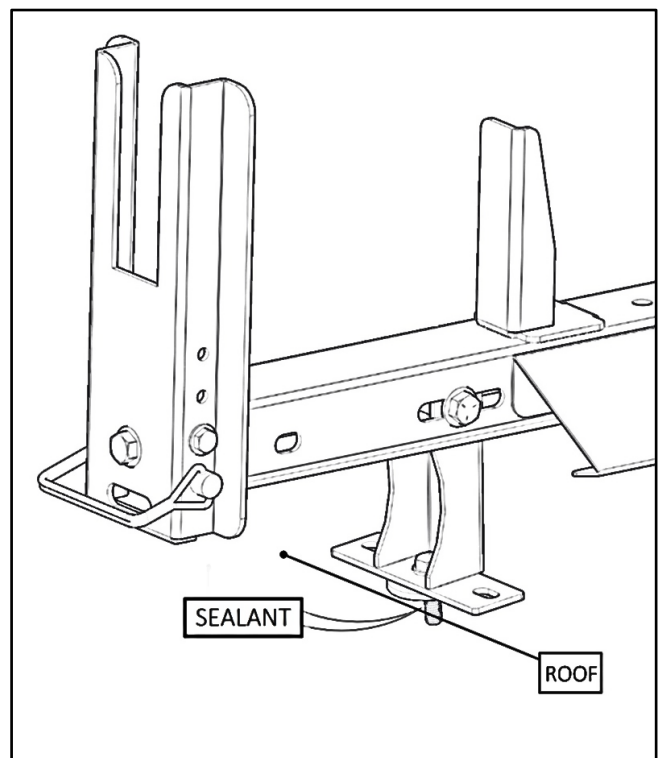
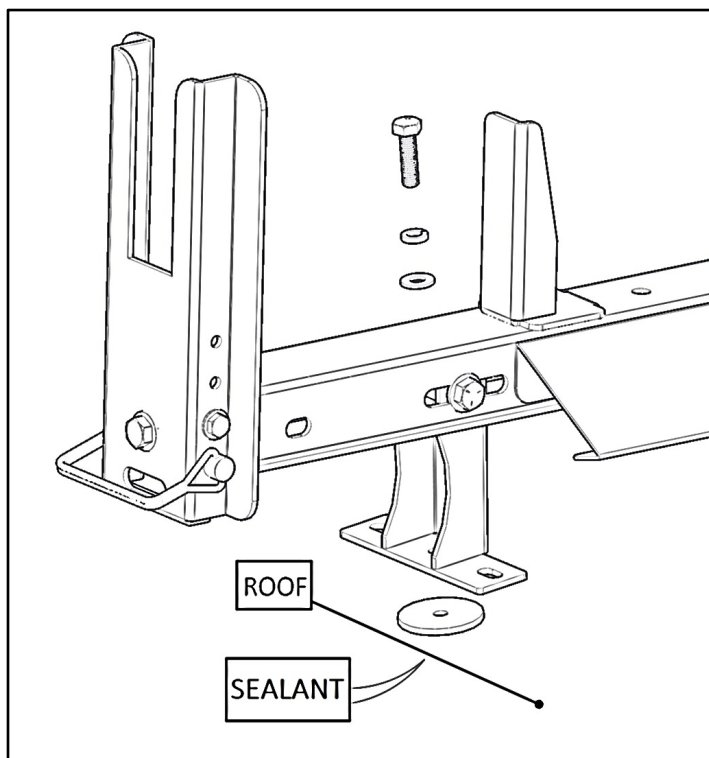
### Step 1

- Locate 2 mounting locations on roof for the crossbar to be installed.
- Remove plug from desired mounting locations in roof.



### Step 2

- Bolt through mount foot (B) into the exposed holes in roof using one M8 x 30mm hex head, one 5/16" lock washer, one 5/16" flat washer, and a rubber washer, in the order shown.
- Be sure to put a rubber washer in between mount foot (B) and roof of van as shown below.
- Place sealant between rubber spacer and roof of van and around threads to ensure no water leaks into van.
- Repeat for opposite side.



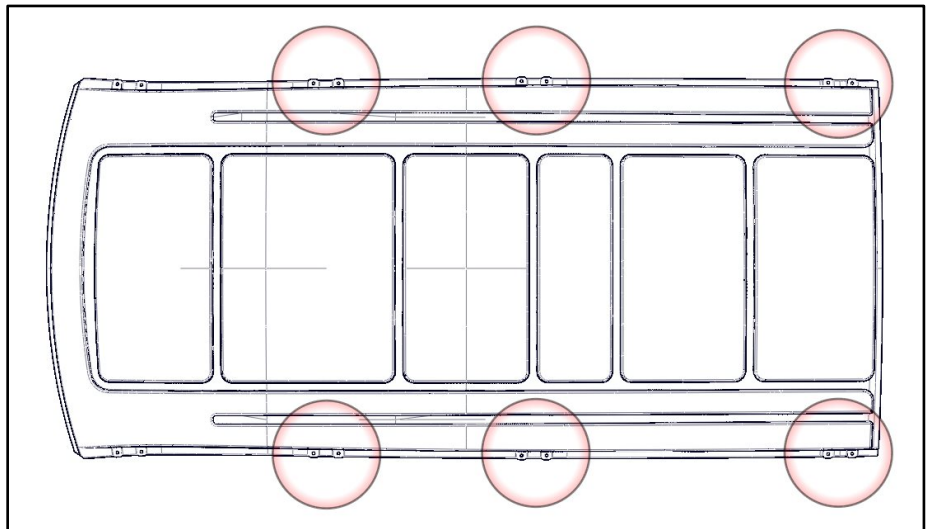
### Step 3

- Go back and tighten all bolts including nuts and bolts on the rack itself.

## Metris

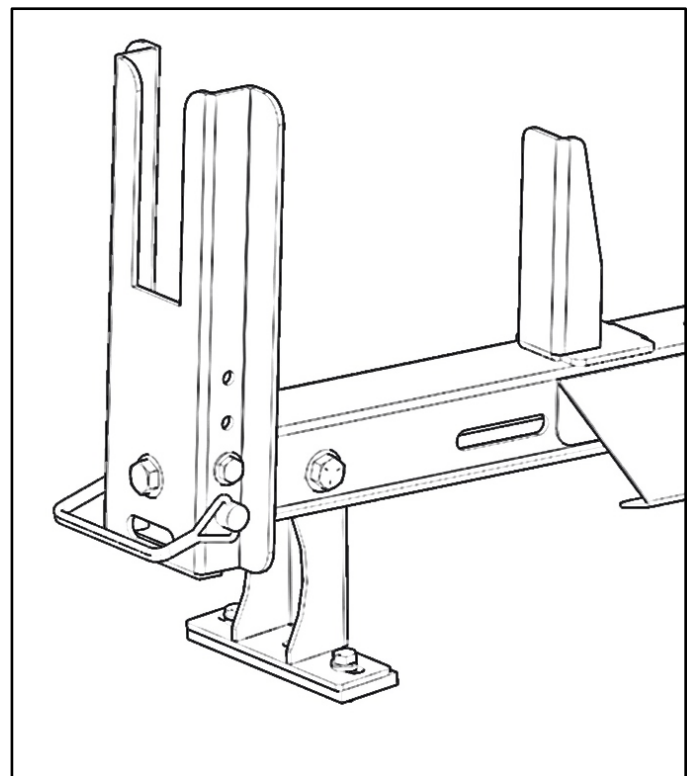
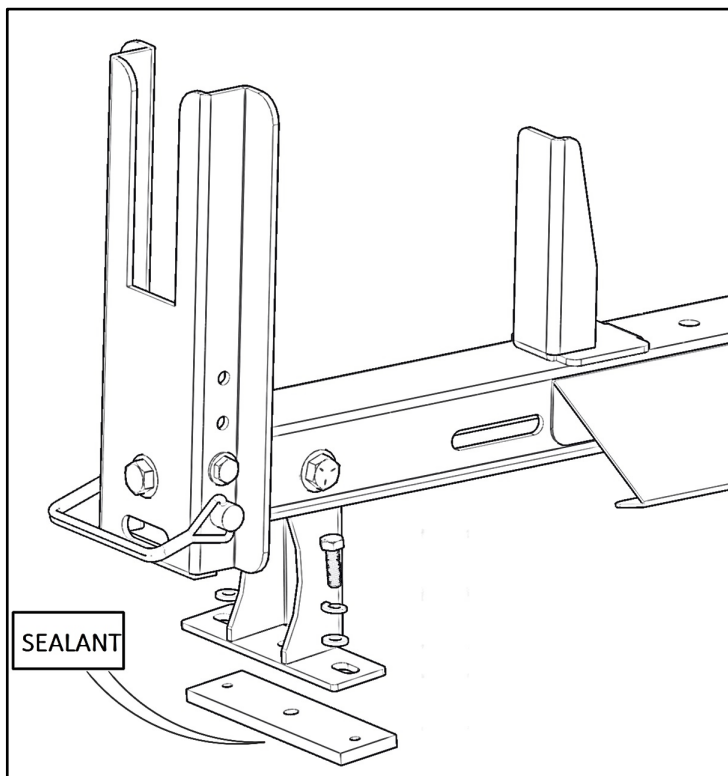
### Step 1

- Locate 2 mounting locations on roof for the crossbar to be installed.
- Remove plug from desired mounting locations in roof.



### Step 2

- Bolt through the mount foot (B) into the exposed holes in roof using one M6 x 22mm hex head, one 1/4" lock washer, one 1/4" flat washer, and a rubber spacer, in the order shown.
- Be sure to put a rubber spacer in between mount foot (B) and roof of van as shown below.
- Place sealant between rubber spacer and roof of van and around threads to ensure no water leaks into van.
- Repeat for opposite side.



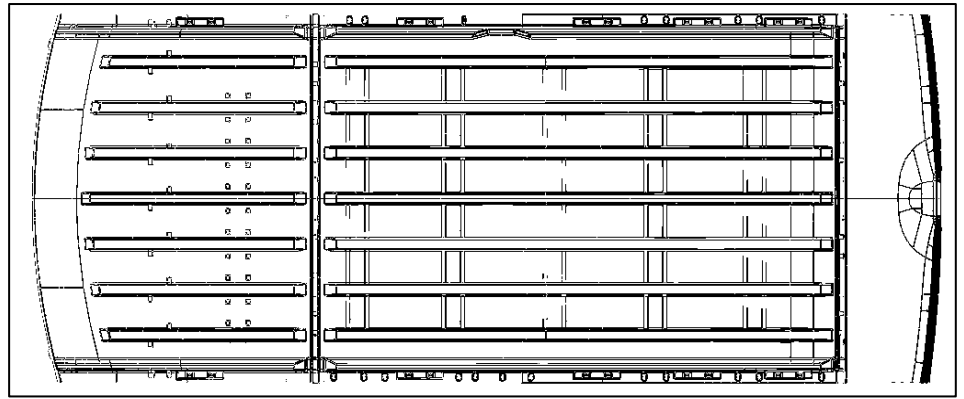
### Step 3

- Go back and tighten all hardware including hardware on the rack itself.

## NV

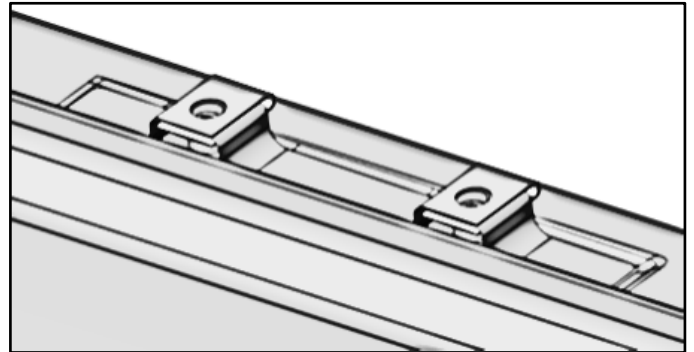
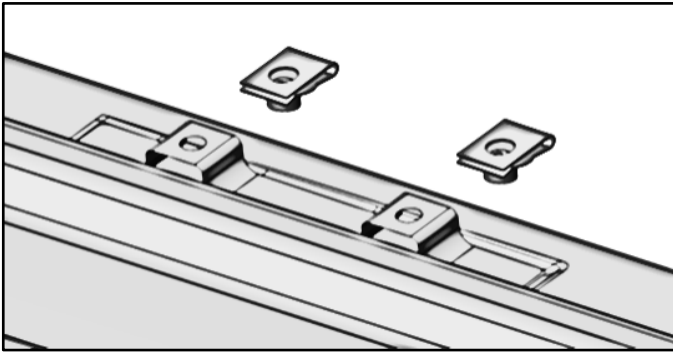
### Step 1

- Locate 2 mounting locations on roof for the crossbar to be installed.



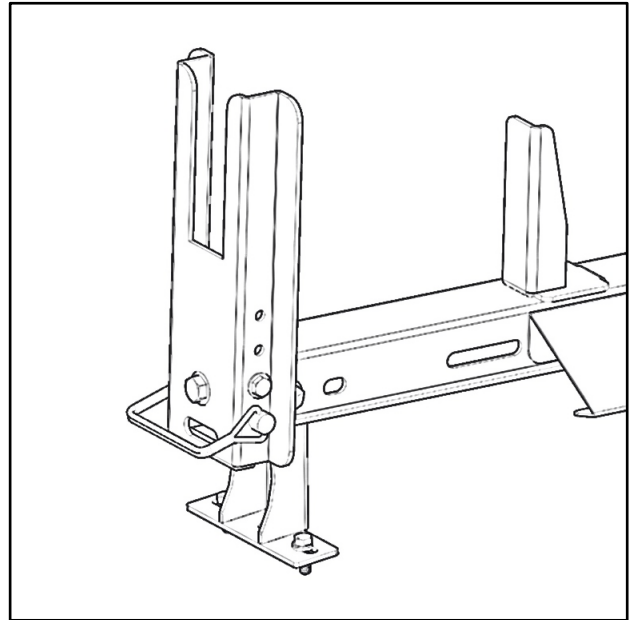
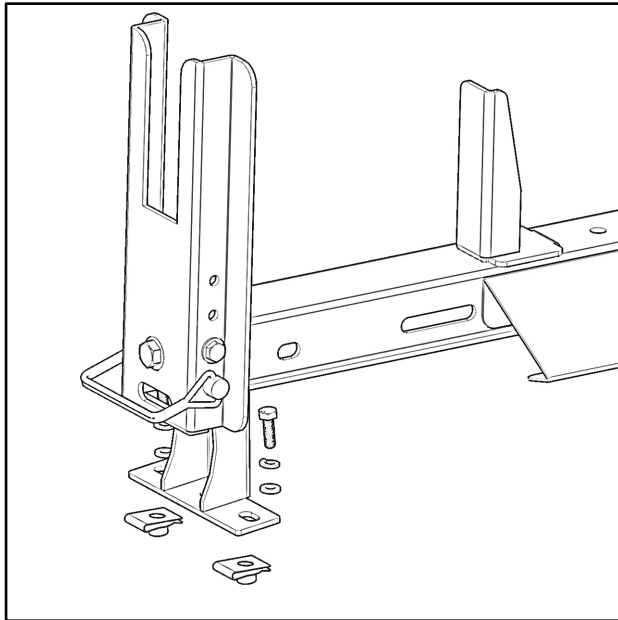
### Step 2

- Install M8 U-Nuts as shown.



### Step 3

- Bolt through the mount foot (B) into the previously installed M8 U-nuts using M8 x 20mm hex head, 5/16" lock washer, and 5/16" flat washer.



### Step 4

- Repeat previous steps on opposite side.
- Go back and tighten all hardware including hardware on the rack itself.