

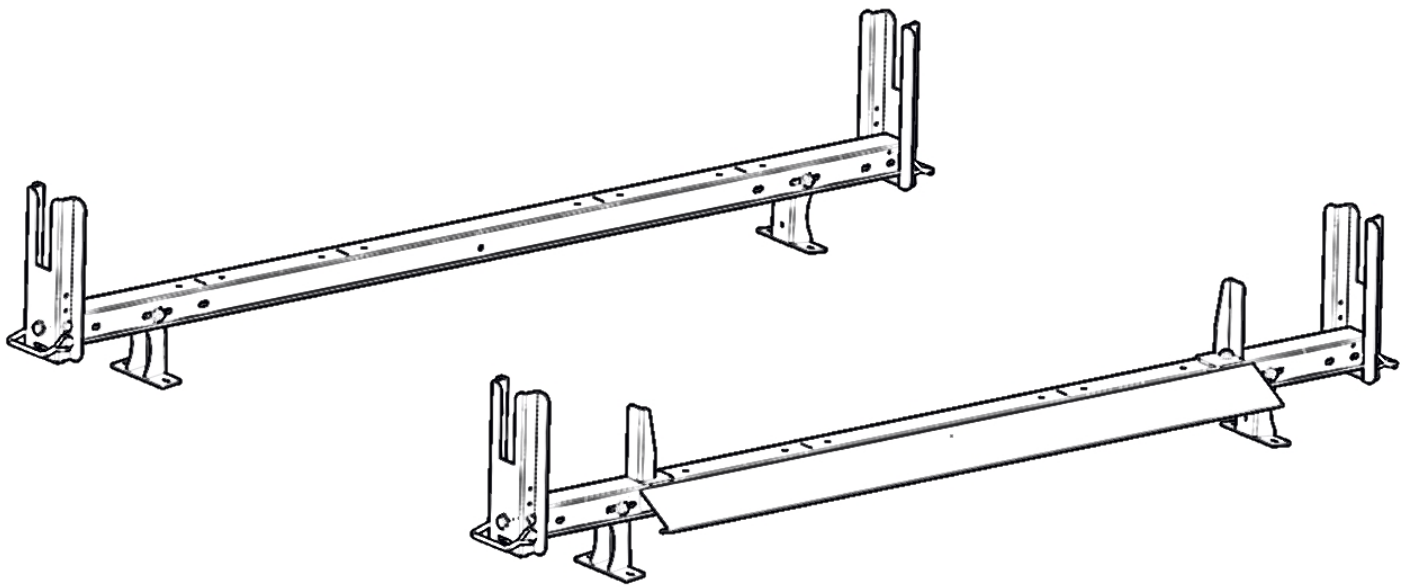
# Holman

---

## Instruction Guide

4A821

---



---

Holman  
Rancho Cordova, CA 95742  
800-343-7486  
InstallationSupport@Holman.com

---

**\* PLEASE READ ALL INSTRUCTIONS AND WARNINGS PRIOR TO ASSEMBLING, INSTALLING, AND USING THIS PRODUCT. \***

## Warning



Always check for wires, fuel tanks and lines, brake lines and other important vehicle functionality items prior to drilling and installing all products.

## Tools Needed

9/16" Socket and Wrench	7/16" Socket and Wrench
13mm Socket and Wrench	10mm Socket and Wrench

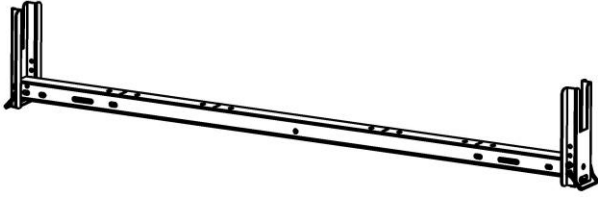
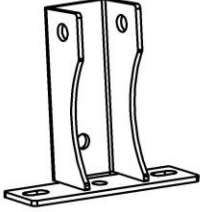
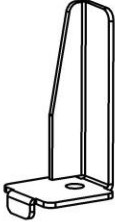
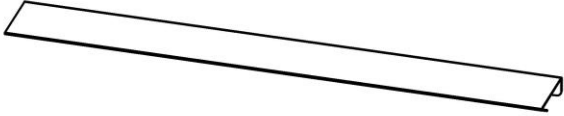
## Table of Contents

Before You Begin .....	1
Parts .....	2
Assembly Hardware (18-4A821-A) .....	3
Step 1 – Adjustment of Uprights .....	4
Step 2 – Assemble Ladder Hooks .....	5
Step 3 – Assemble Wind Deflector .....	6
Step 4 – Assembly of Foot.....	7
Installation Instructions	
Installation Hardware (To Scale) (18-4A821-M).....	8
Transit Connect .....	10
Transit .....	11
ProMaster City .....	12
NV200/Chevy City Express.....	13
Metris.....	14
NV .....	15

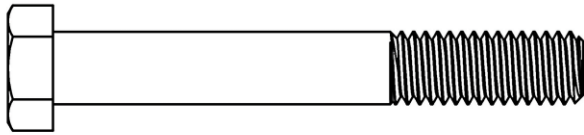
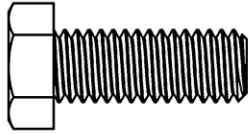
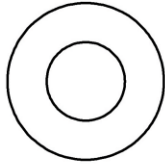
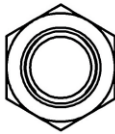

## Before You Begin

- Read all instructions.
- Be sure to put sealant around all threads entering cargo area and between the rubber spacer and roof of vehicle to prevent water from leaking into cargo area.
- Ensure ALL hardware is tight at the conclusion of the instructions.

## Parts

ITEM NO.		PART NUMBER	DESCRIPTION	QTY.
A		4A821-10	CROSSBAR ASM	2
B		4A821-10-001	CROSSBAR FOOT-AL	4
C		4A821-10-006	LADDER HOOK-AL	2
D		4A821-10-009	WIND DEFLECTOR-AL	1
		18-4A821-A	ASSEMBLY HARDWARE	1
		18-4A821-M	MOUNT HARDWARE	1

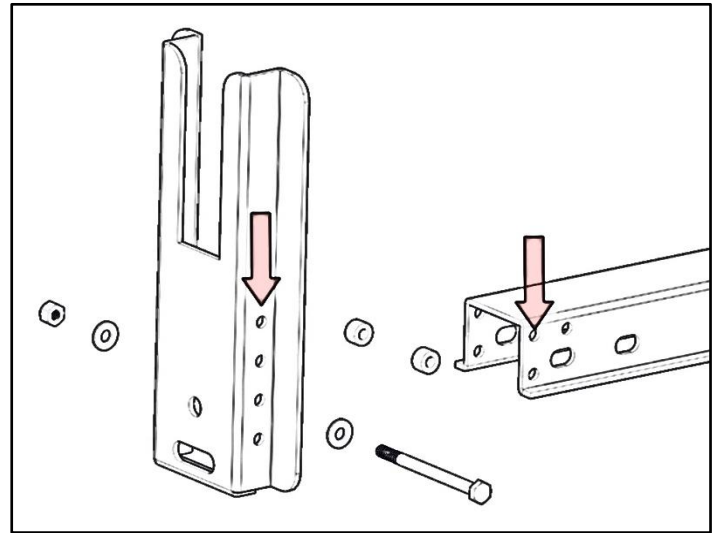
## Assembly Hardware (18-4A821-A)

ITEM NO.	TO SCALE	PART NUMBER	DESCRIPTION	QTY.
1		92198A635	3/8"-16 x 2-3/4" Hex Head	4
2		92240A624	3/8"-16 x 1" Hex Head	5
3		96659A108	3/8" Flat Washer	18
4		91831A127	3/8"-16 Nyloc	9
5			Nylon Spacer	4

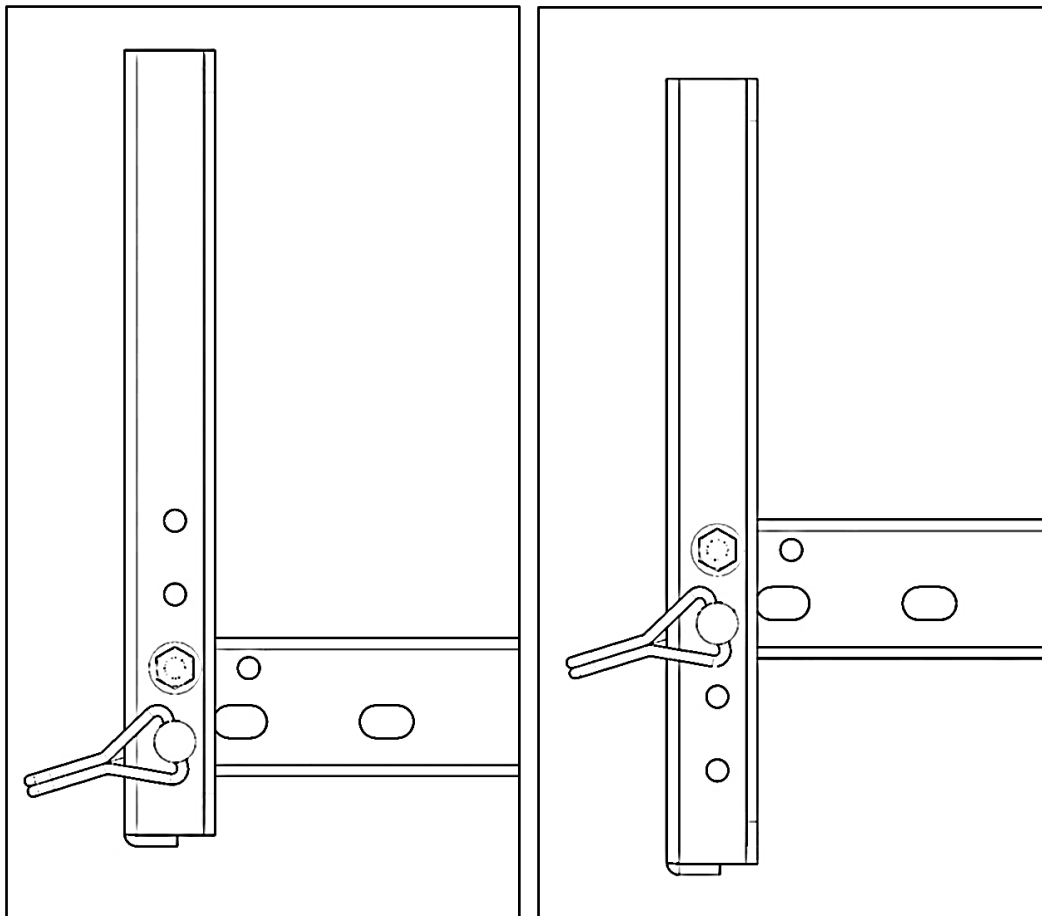
**DO NOT EXCEED MANUFACTURERS WEIGHT CAPACITY FOR ROOF!**

**Step 1 – Adjustment of Uprights**

- The uprights at each end of the crossbar come preinstalled.
- If van upright is not at desired height, remove bolts and adjust accordingly. Be sure to have one hole open below where van upright is bolted to cross member.
- Repeat on other side of cross member.
- Repeat on other cross member. You will have two of the same assemblies.
- Insert pin through the van upright and the cross member, using the open hole below the previously installed hex bolt.
- TIGHTEN.

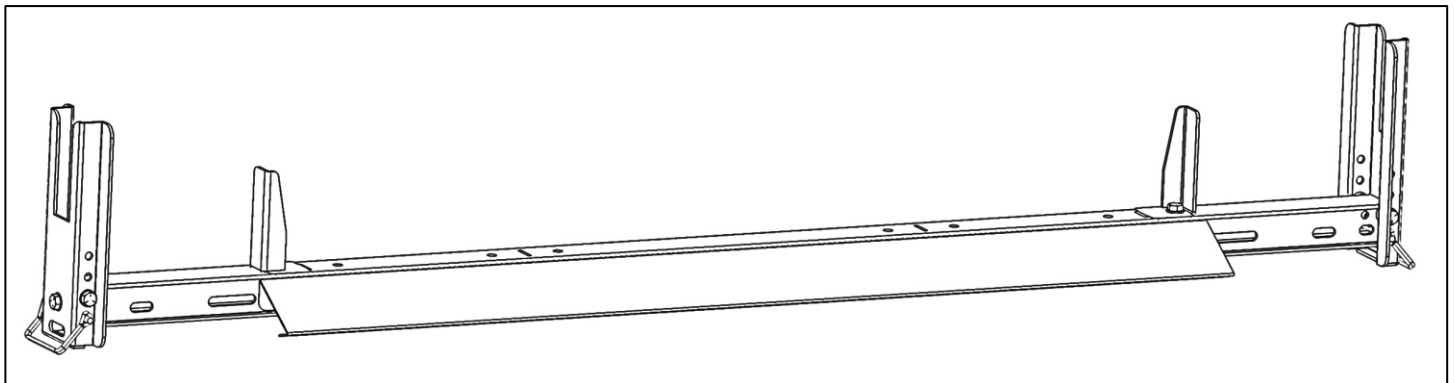
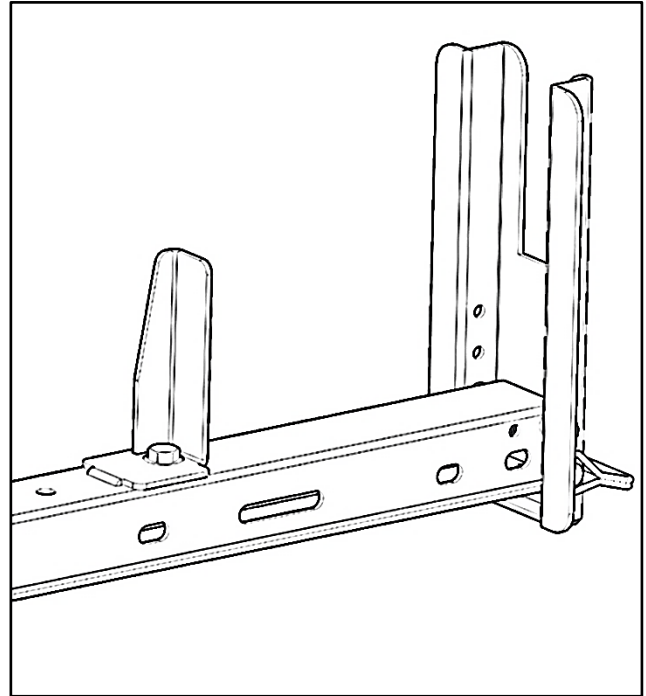
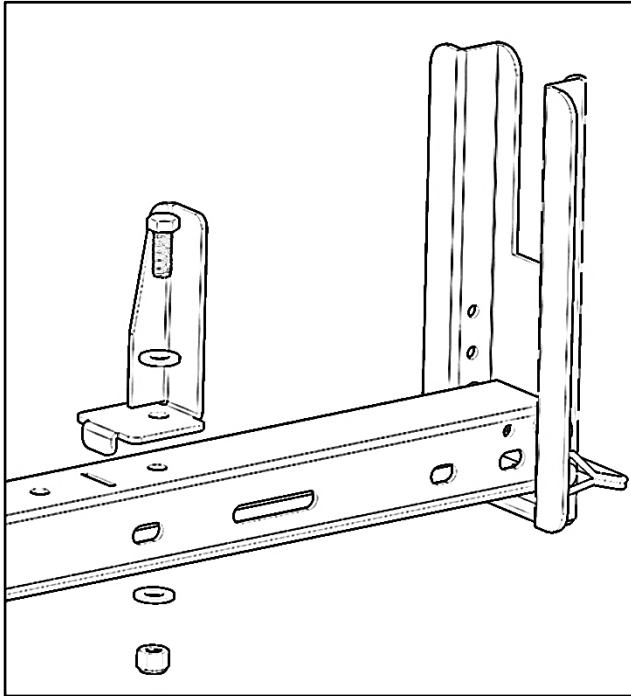


**Below shows different heights of van uprights**



## Step 2 – Assemble Ladder Hooks

- On one cross member (A), bolt two ladder hooks (C) to the top of cross member using one 3/8" x 1" hex head, two 3/8" flat washers, and one 3/8" lock nut.
- The tab on the ladder hook will line up with the slot in the cross member.
- Typically, this cross member goes to the front of the vehicle.
- TIGHTEN.

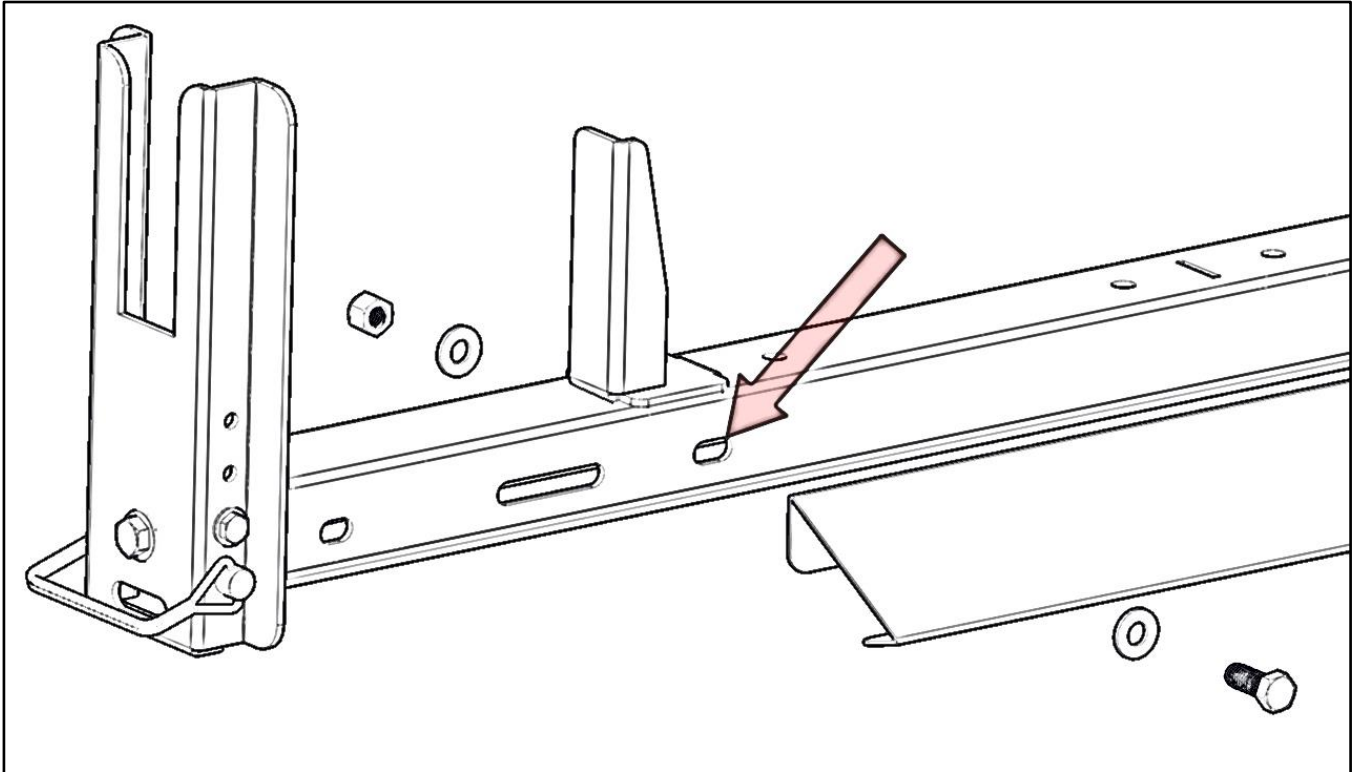


## Step 3 – Assemble Wind Deflector

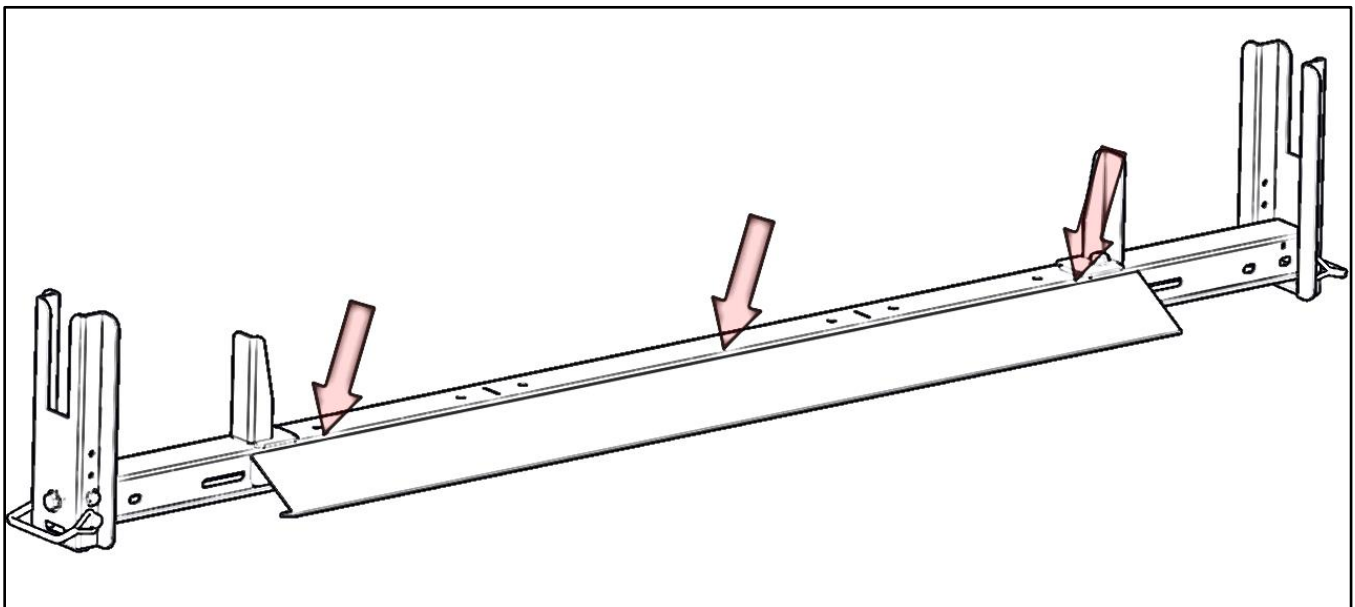
- Bolt wind deflector (D) to the front of the cross member (A) through the slot as shown below.

**\*\*Typically this is attached to the same cross member with the ladder hooks.\*\***

- Use a 3/8" x 1" hex head bolt, a 3/8" flat washer, and a 3/8" lock nut in the order shown.



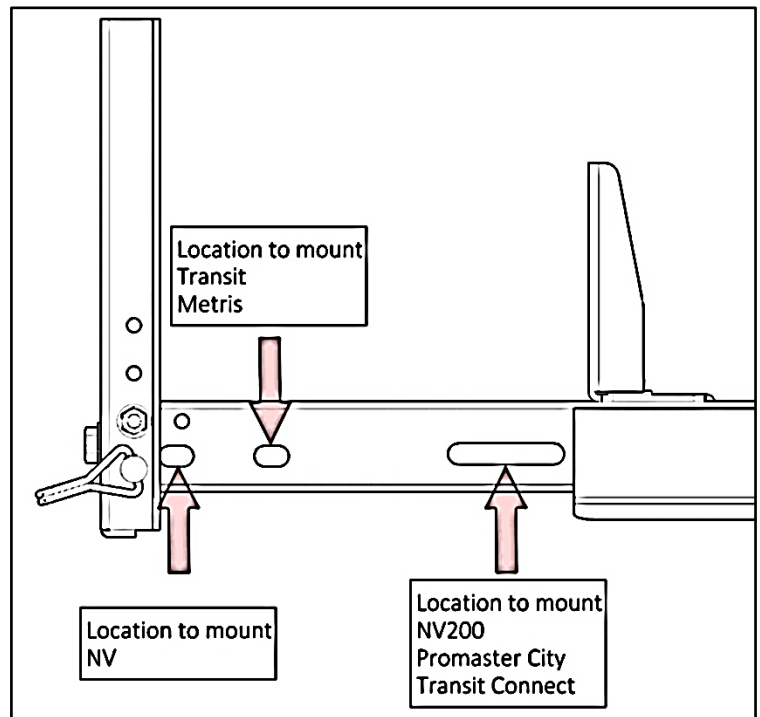
- Repeat in other two locations as shown.



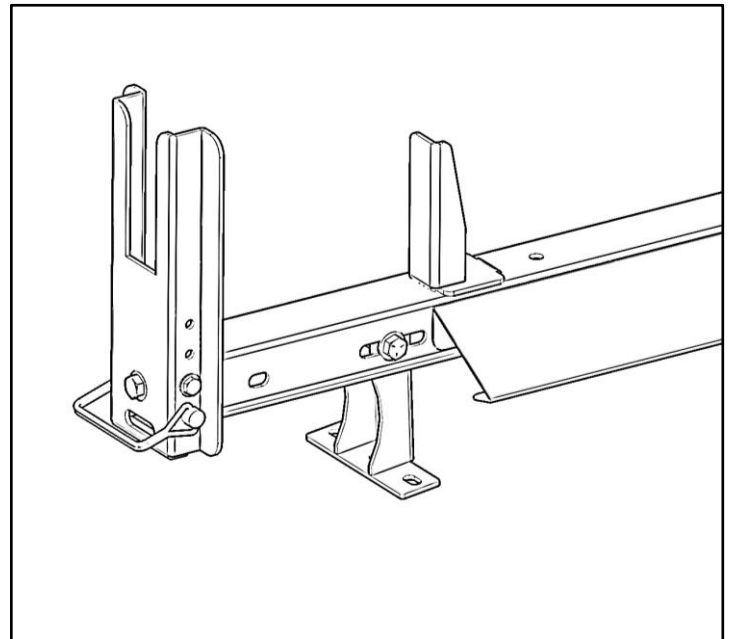
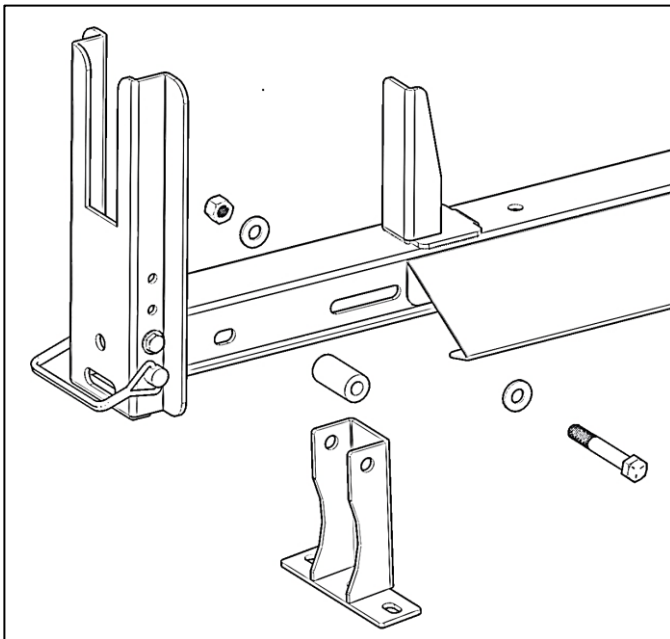
- Square and TIGHTEN.
- The crossbar assembly with the wind deflector goes to the front of the vehicle.

## Step 4 – Assembly of Foot

- Depending on your vehicle, the foot will mount in different slots.



- Use a 3/8" x 2-3/4" hex head bolt, two 3/8" flat washers, and a 3/8" lock nut to bolt foot (B) to cross member (A). Be sure to insert the nylon spacer inside foot.
- Have the cup in the foot facing outward, as shown.
- Repeat on both sides and both cross members.
- Do NOT tighten.



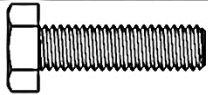
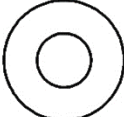
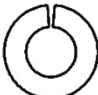
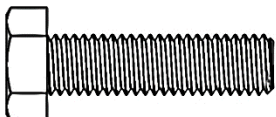
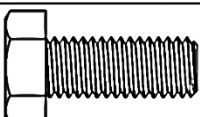
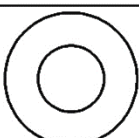
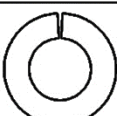

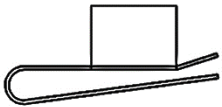
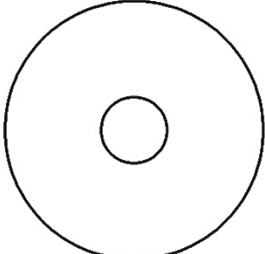
**For installation, follow your vehicles instructions below.**




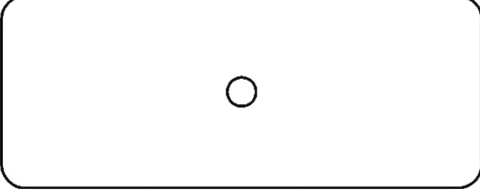
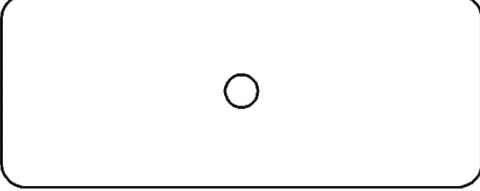
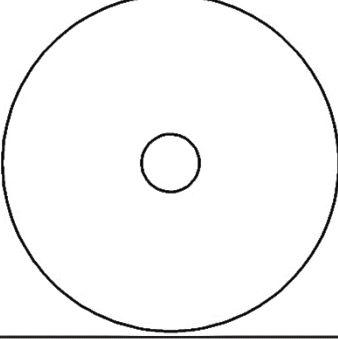
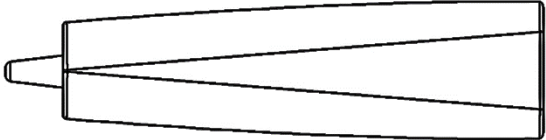
## Installation Instructions

- Find vehicle below, follow instructions from there.

### Installation Hardware (To Scale) (18-4A821-M)

ITEM	HARDWARE TO SCALE	PART NUMBER	DESCRIPTION	QTY.
1		38560	M6 X 1.0 X 22MM HEX HEAD BOLT	8
2		33078	1/4" FLAT WASHER	8
3		33618	1/4" LOCK WASHER	8
4		11552488	M8-1.25 X 30MM HEX HEAD BOLT	4
5		11552486	M8-1.25 X 20MM HEX HEAD BOLT	8
6		11545144	5/16" FLAT WASHER	12
7		1171067	5/16" LOCKING WASHER	8
8		11511017	M8-1.25 NYLON NUT	4
9		0162867	M8 U- NUT	8
10		33216	5/16" FENDER WASHER	4

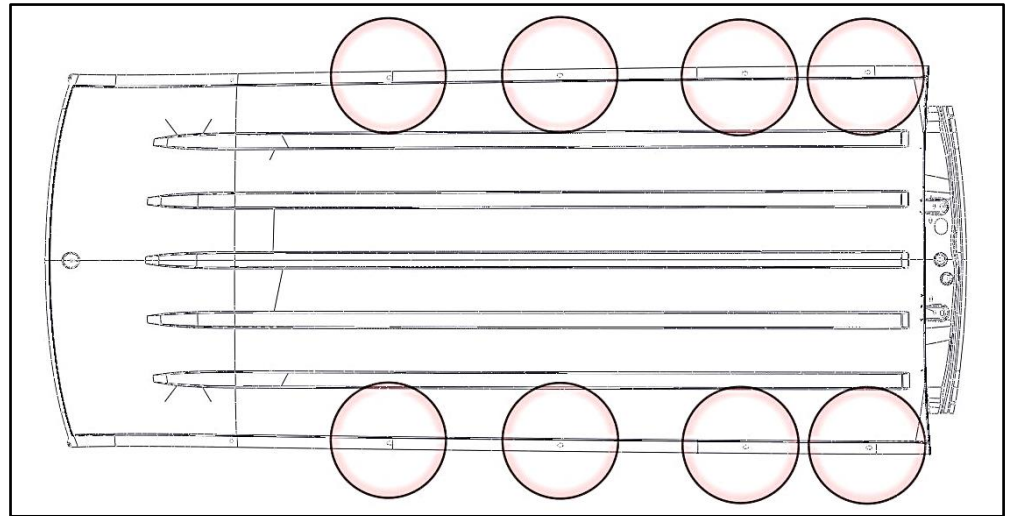
## Installation Hardware (Continued)

ITEM	HARDWARE TO SCALE	PART NUMBER	DESCRIPTION	QTY.
11		40821-10-004	3 HOLE RUBBER PAD	4
12		T249-02	RUBBER	4
13		T250-01	T250 PLATE	4
14			5/16" RUBBER FENDER WASHER, 1-3/4" OD X 1/8" THK	4
15		BH-821	SELF LEVELING ADHESIVE SEALANT	1

## Transit Connect

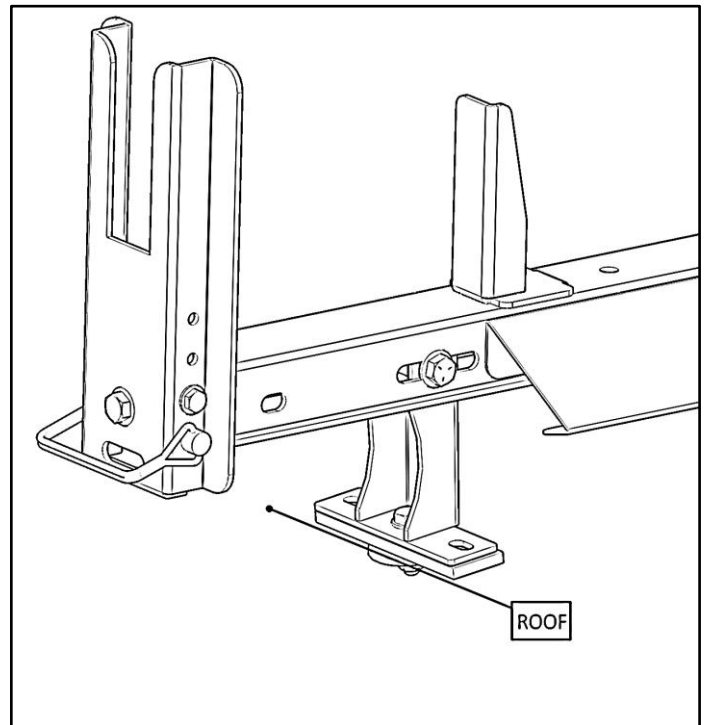
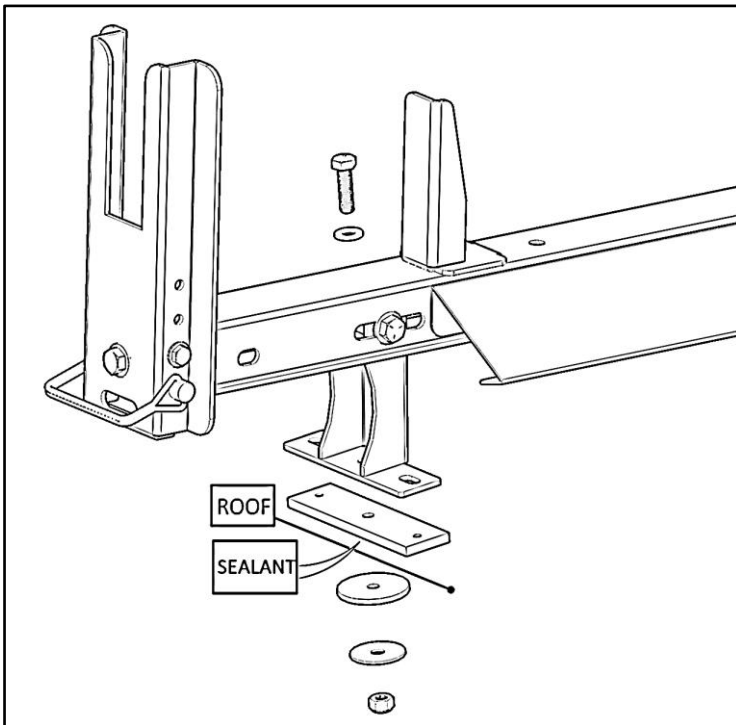
### Step 1

- Locate 4 mounting locations in roof for the crossbars to be installed.
- Remove plugs from desired mounting locations in roof.



### Step 2

- Bolt through the mount foot (B) into the exposed holes in roof using one M8 x 30mm hex head, one 5/16" flat washer, a rubber spacer, a rubber washer, one 5/16" fender washer, and one M8 lock nut, in the order shown.
- Be sure to put a rubber spacer in between mount foot (B) and roof of van as shown below.
- The roof goes in between rubber spacer and rubber washer.
- Place sealant between rubber spacer and roof of van and around threads to ensure no water leaks into van.



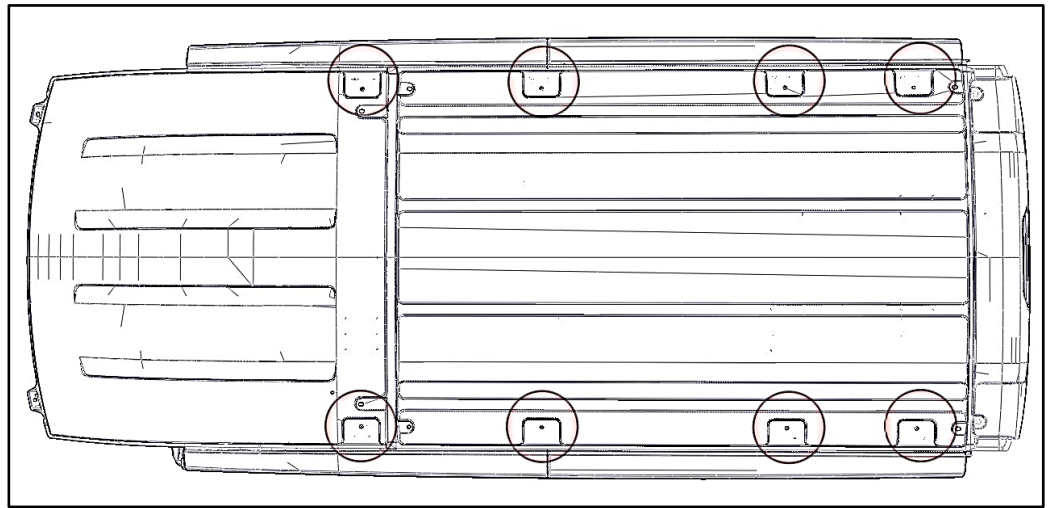
### Step 3

- Go back and tighten all hardware including hardware on the rack itself.

## Transit

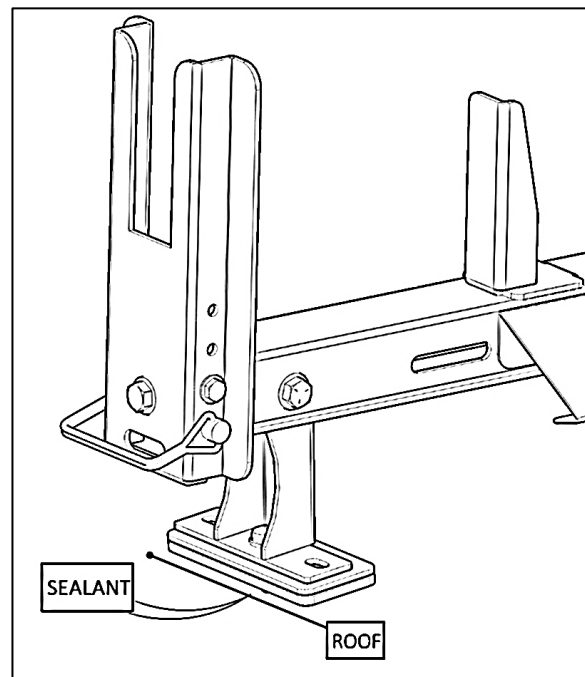
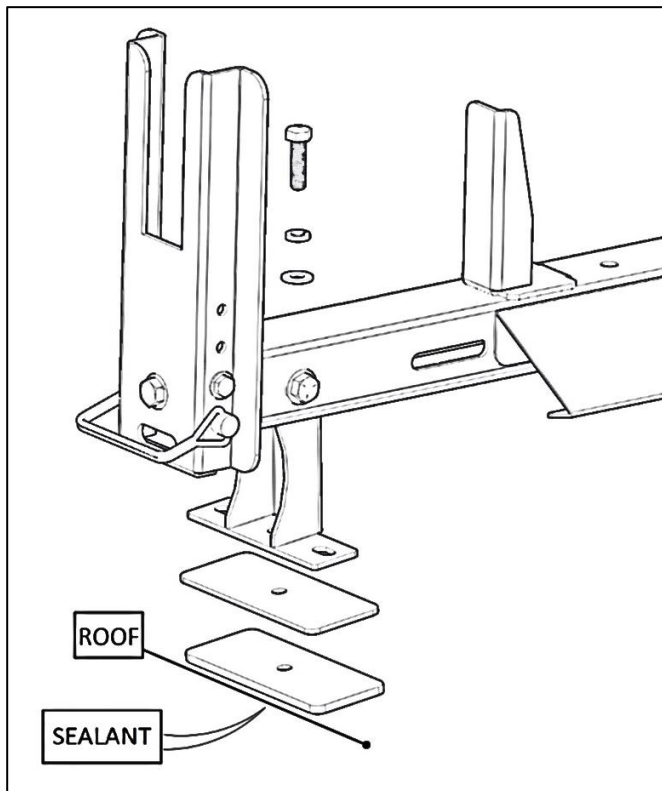
### Step 1

- Locate 4 mounting locations on roof for the crossbars to be installed.
- Remove plugs from desired mounting locations in roof.



### Step 2

- Bolt through the mount foot (B) into the exposed holes in roof using one M8 x 30mm hex head, one 5/16" lock washer, one 5/16" flat washer, a metal plate, and a rubber pad, in the order shown.
- Be sure to put rubber pad and metal plate in between mount foot (B) and roof of van as shown below. The rubber pad goes on the roof.
- Place sealant between rubber pad and roof of van and around threads to ensure no water leaks into van.



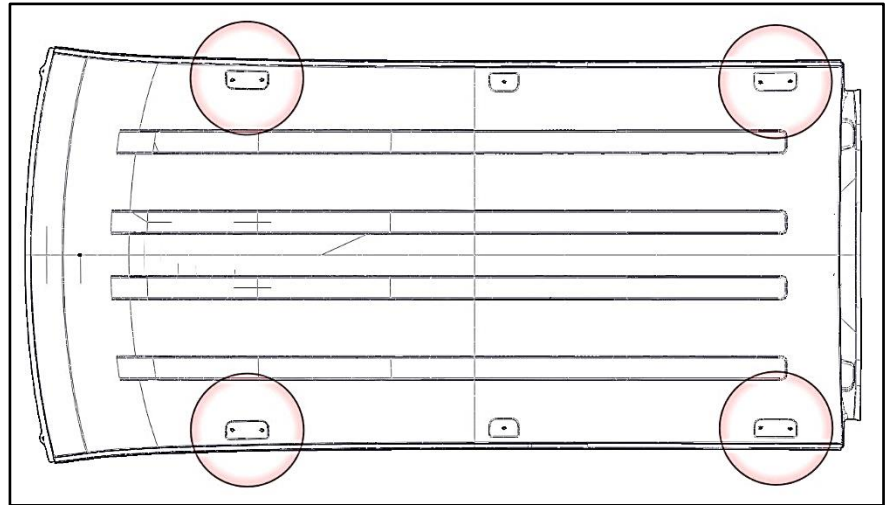
### Step 3

- Go back and tighten all hardware including hardware on the rack itself.

## ProMaster City

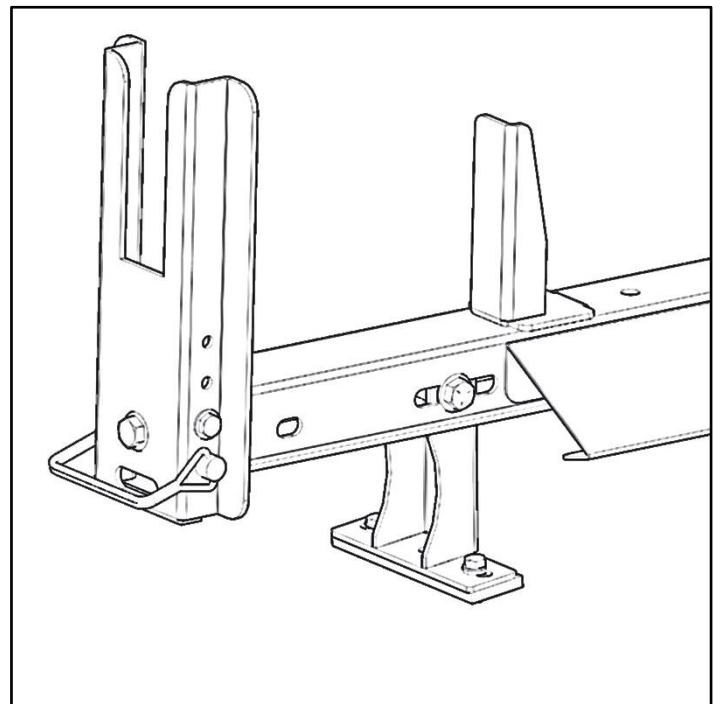
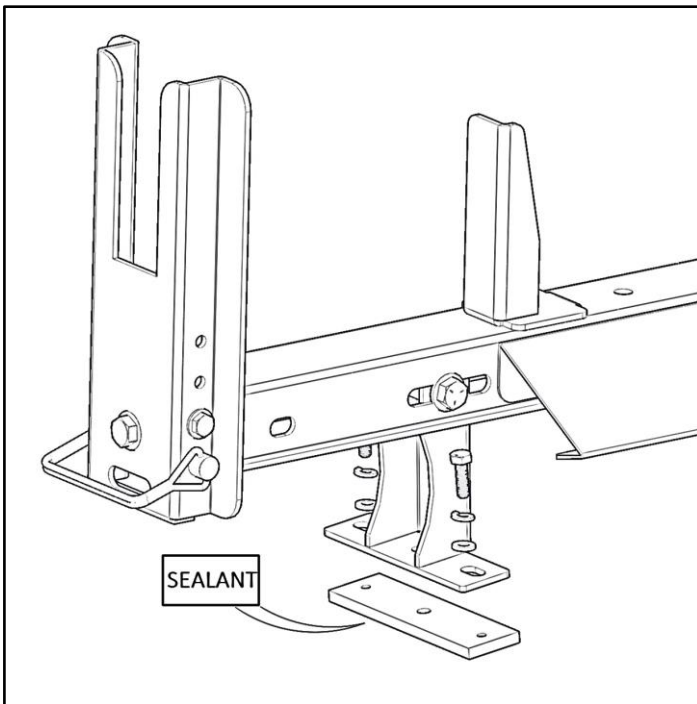
### Step 1

- Locate 4 mounting locations on roof for the crossbars to be installed.
- Remove plugs from desired mounting location in roof.



### Step 2

- Bolt through the mount foot (B) into the exposed holes in roof using one M6 x 20mm hex head, one 1/4" lock washer, one 1/4" flat washer, and a rubber spacer, in the order shown.
- Be sure to put a rubber spacer in between mount foot (B) and roof of van as shown below.
- Place sealant between rubber spacer and roof of van and around threads to ensure no water leaks into van.



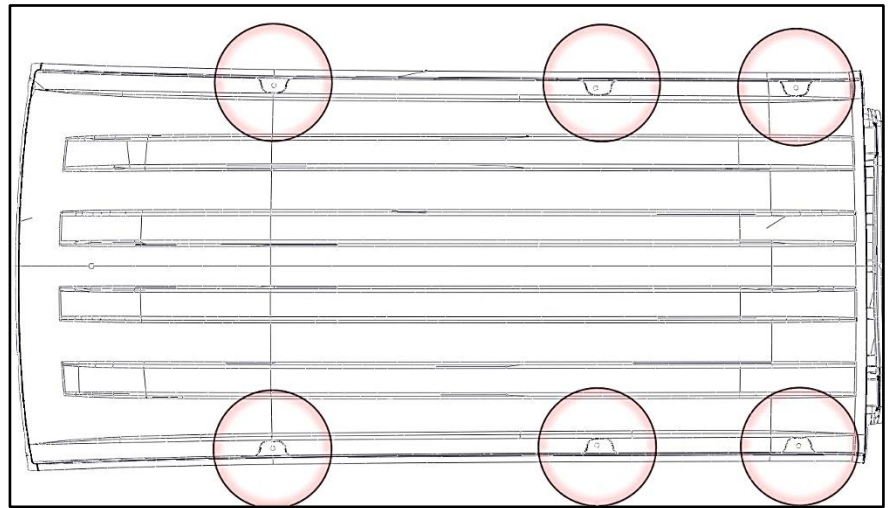
### Step 3

- Go back and tighten all hardware including hardware on the rack itself.

## NV200/Chevy City Express

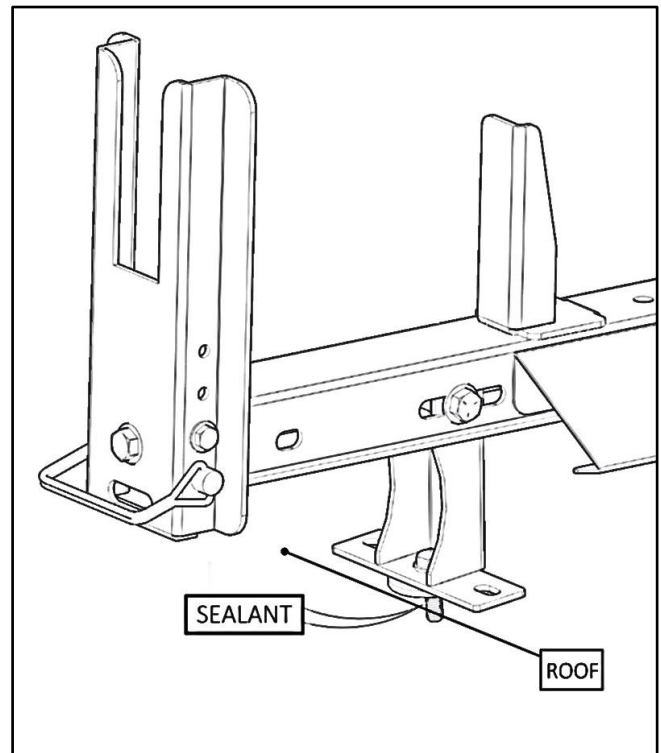
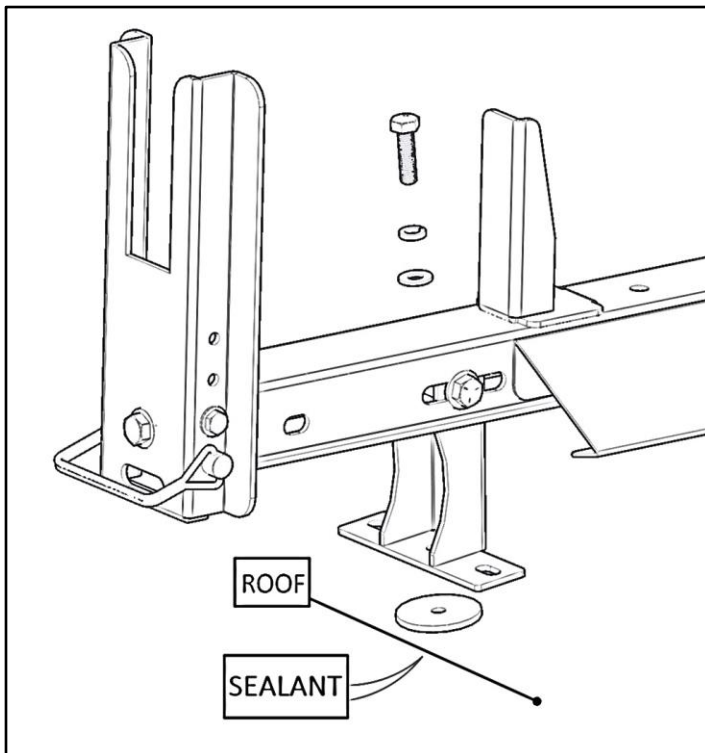
### Step 1

- Locate 4 mounting locations on roof for the crossbars to be installed.
- Remove plugs from desired mounting location in roof.



### Step 2

- Bolt through mount foot (B) into the exposed holes in roof using one M8 x 30mm hex head, one 5/16" lock washer, one 5/16" flat washer, and a rubber washer, in the order shown.
- Be sure to put a rubber washer in between mount foot (B) and roof of van as shown below.
- Place sealant between rubber spacer and roof of van and around threads to ensure no water leaks into van.



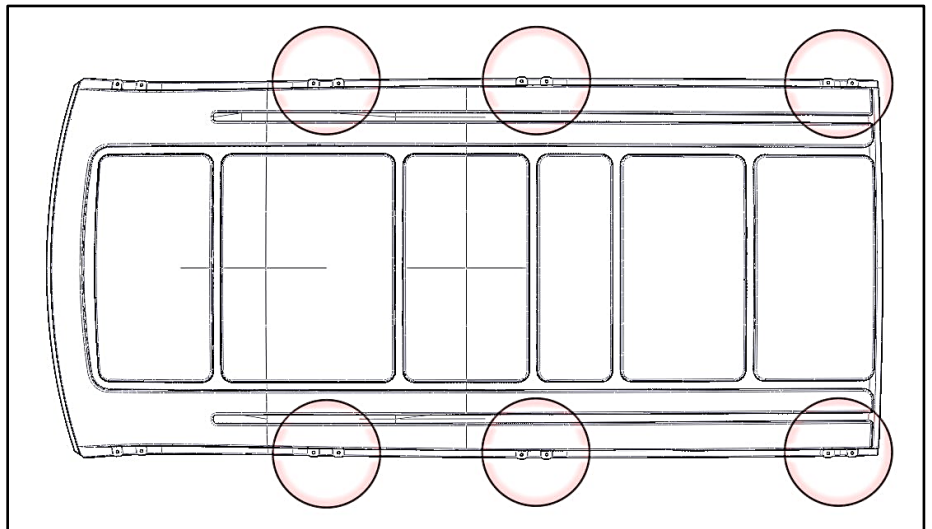
### Step 3

- Go back and tighten all bolts including nuts and bolts on the rack itself.

## Metris

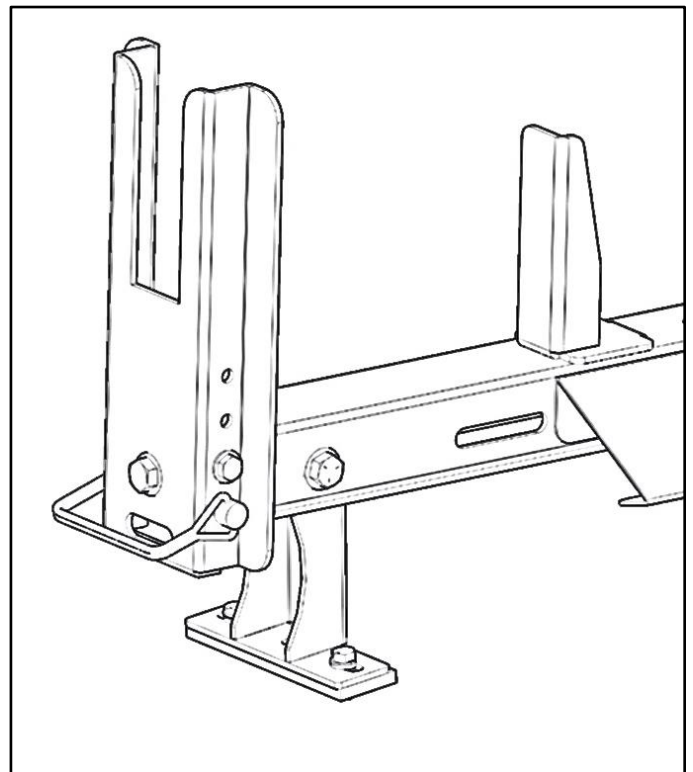
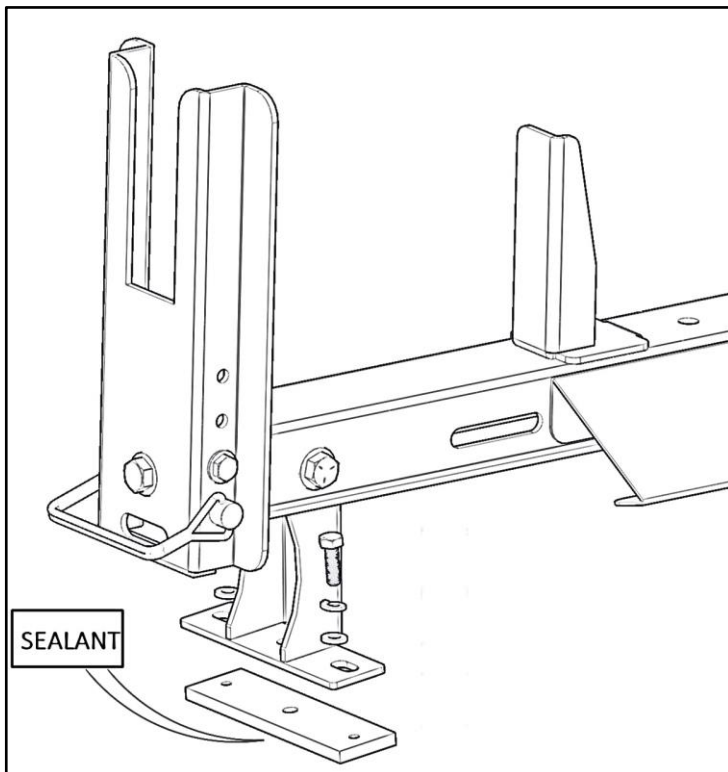
### Step 1

- Locate 4 mounting locations on roof for the crossbars to be installed.
- Remove plugs from desired mounting location in roof.



### Step 2

- Bolt through the mount foot (B) into the exposed holes in roof using one M6 x 22mm hex head, one 1/4" lock washer, one 1/4" flat washer, and a rubber spacer, in the order shown.
- Be sure to put a rubber spacer in between mount foot (B) and roof of van as shown below.
- Place sealant between rubber spacer and roof of van and around threads to ensure no water leaks into van.



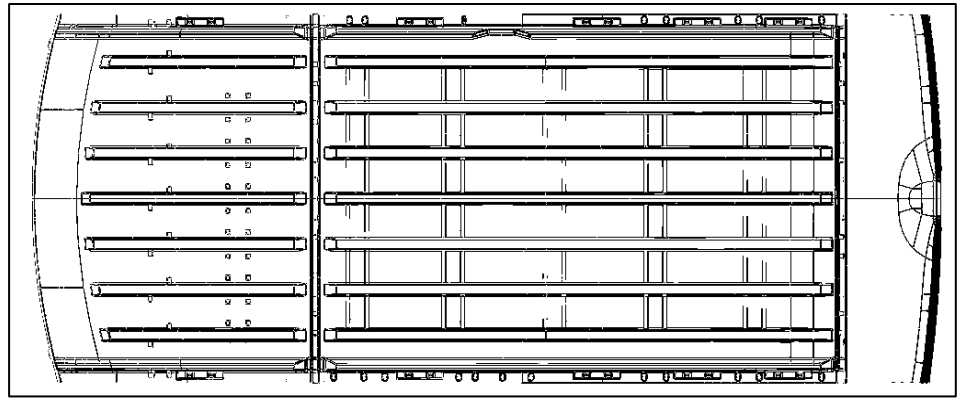
### Step 3

- Go back and tighten all hardware including hardware on the rack itself.

## NV

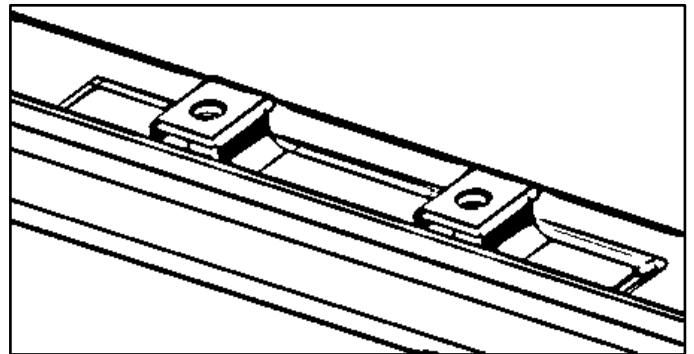
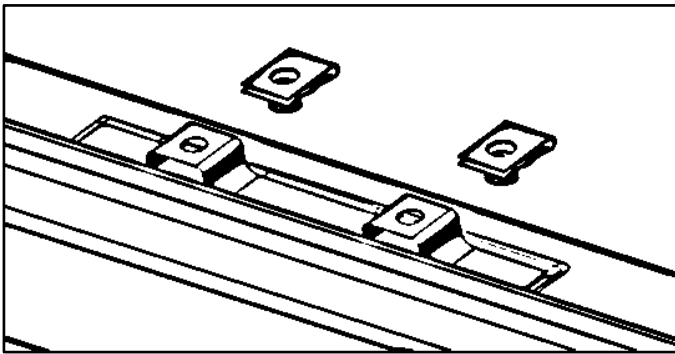
### Step 1

- Locate 4 mounting locations on roof for the crossbars to be installed.



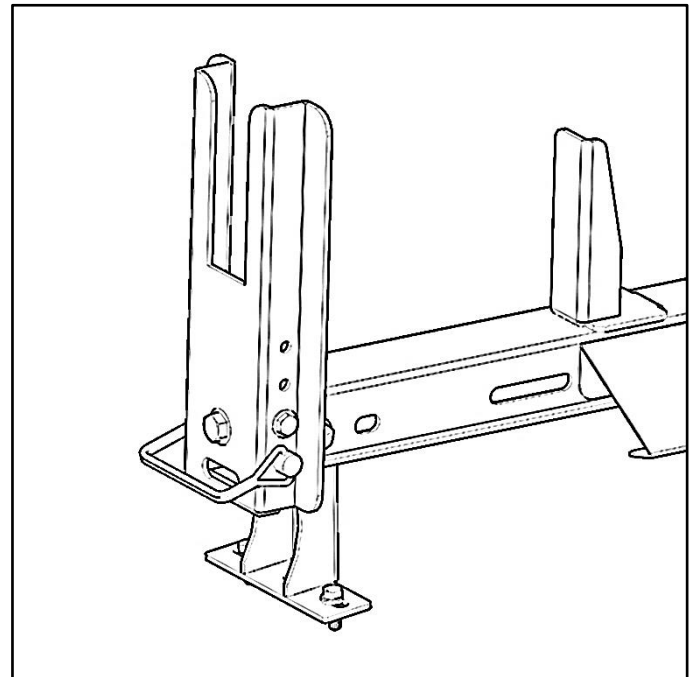
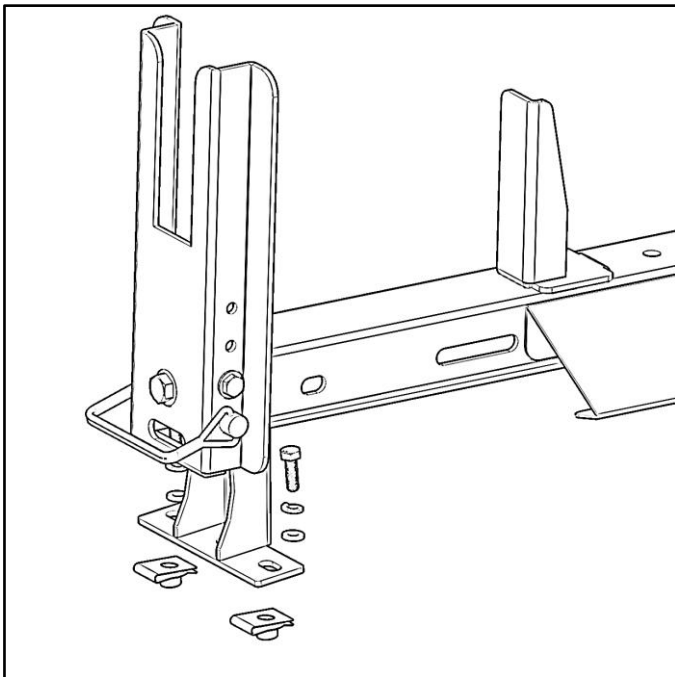
### Step 2

- Install M8 U-Nuts (11) as shown.



### Step 3

- Bolt through the mount foot (B) into the previously installed M8 U-nuts using M8 x 20mm hex head, 5/16" lock washer, and 5/16" flat washer.



### Step 4

- Go back and tighten all hardware including hardware on the rack itself.