

---

# **KARGO MASTER®**

**WE PUT EVERYTHING WITHIN REACH.**

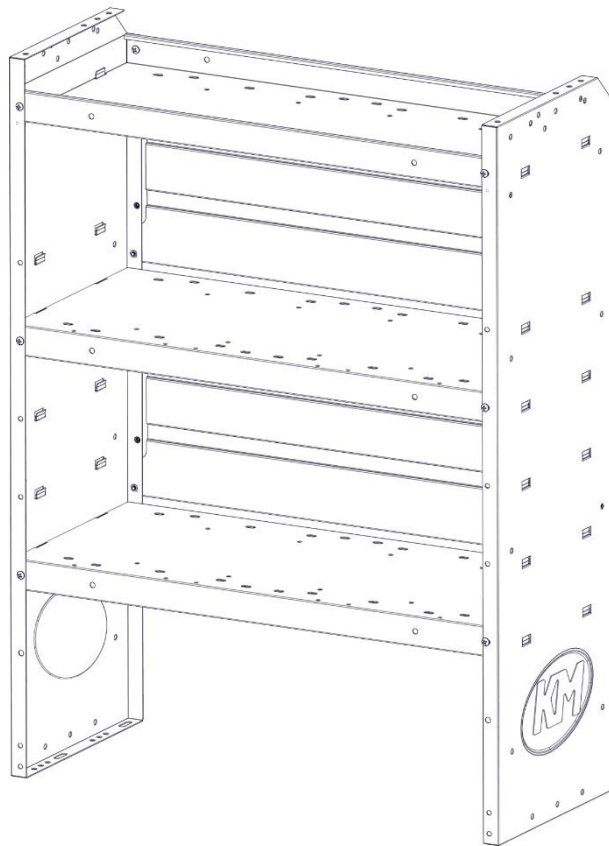
---

## Instruction Guide

---

### 4832L-Rev 1

---



---

Kargo Master  
Rancho Cordova, CA 95742  
800-343-7486  
CustomerService@KargoMaster.com

---

---

\*PLEASE READ ALL INSTRUCTIONS AND WARNINGS PRIOR TO ASSEMBLING,  
INSTALLING, AND USING THIS PRODUCT\*

---

## Warning



Always check for wires, fuel tanks and lines, brake lines and other important vehicle functionality items prior to drilling and installing all products.

---

## Tools Needed

Phillips Driver
-----------------

---

## Table of Contents

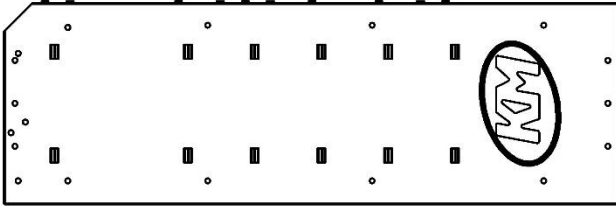
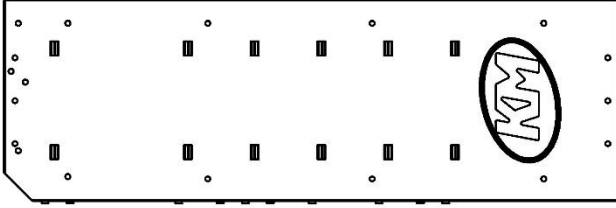
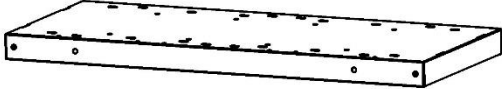
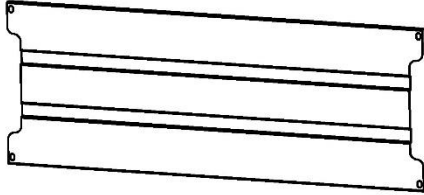
Parts List .....	2
Hardware List .....	2
Step 1 Find shelf locations .....	3
Step 2 Attach other shelf side .....	4
Step 3 Attach back panels .....	5

---

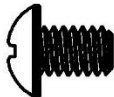
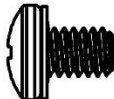
## Before You Begin

- Read all instructions.
  - ENSURE SAFETY PRIOR TO DRILLING.
  - When installing, LIFT, DO NOT DRAG shelf into position.
-

Parts

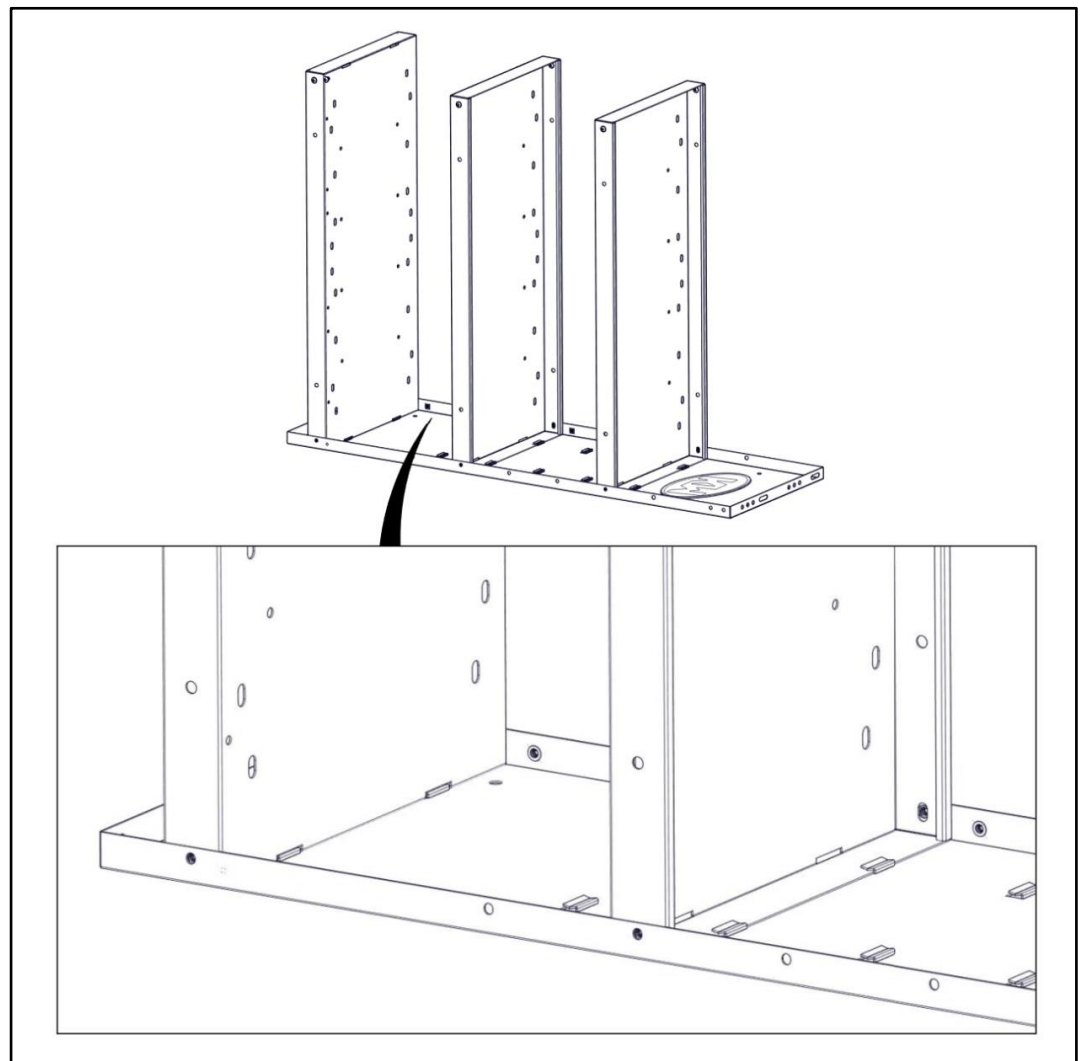
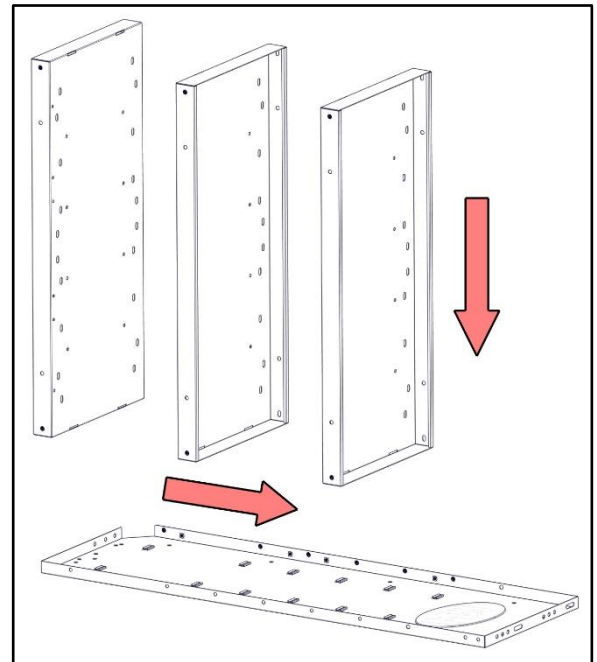
ITEM NO.		PART NUMBER	DESCRIPTION	QTY.
A		48043-10	43"H SHELF	1
B		Mirror48043-10	MIRROR-43"H SHELF	1
C		48032-10	32" SHELF ASM	3
D		48032-00-001	32" BACK PANEL	2
		18-4832L	HARDWARE KIT	1
		4861KD	INSTALLATION KIT	1

Hardware

ITEM NO.	TO SCALE	PART NUMBER	DESCRIPTION	QTY.
1		90279A535	1/4" x 3/8" Machine Head Screw	12
2		90403A535	1/4" x 3/8" Machine Head Screw with Internal Washer	8

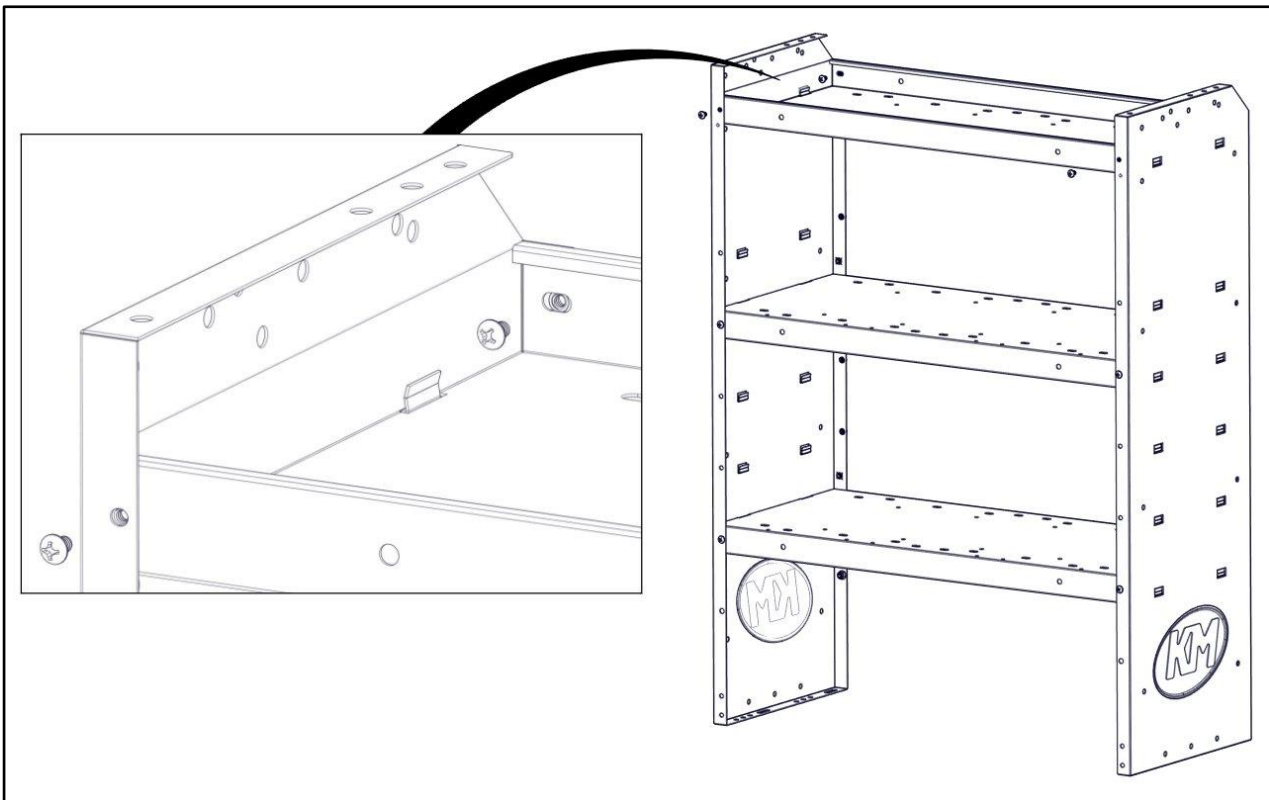
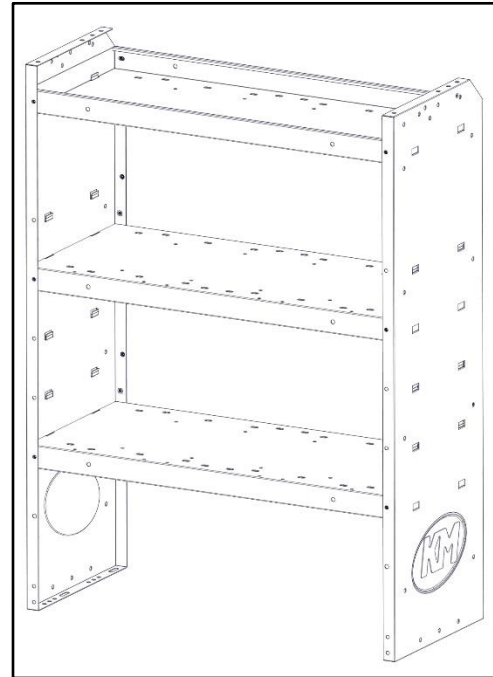
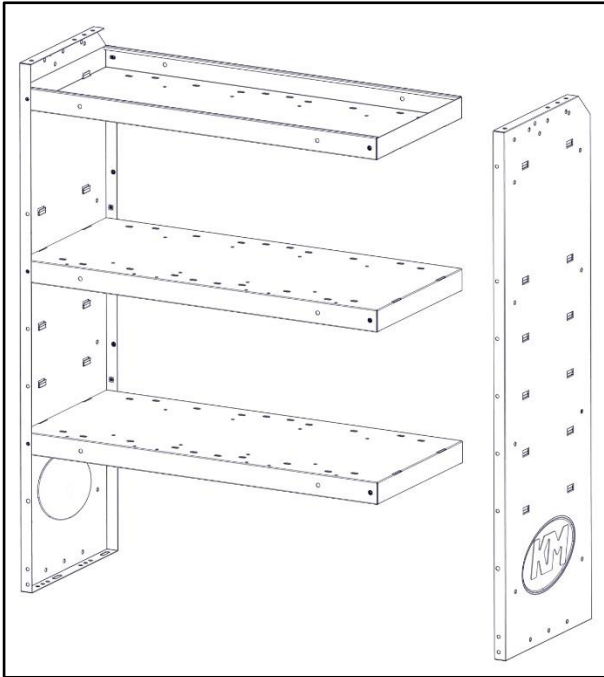
## Step 1 – Find shelf locations

- Find desired locations for all three shelves.  
\*Keep in mind if installing shelf accessories, or additional shelves, as distances between shelves becomes important\*
- Place on shelf side in orientation shown on floor or work bench.
- Find tabs where the shelf is to be installed.
- Place the shelf into the shelf side, slide shelf so it catches the tabs on the shelf side.
- Typically, the top shelf is installed in the orientation shown. This makes the shelf lip upwards. This gives the top shelf the ability to contain items. If installing any accessories, be attentive to which orientation of the shelf is needed.
- Be sure the shelf is firmly pressed against the tab.



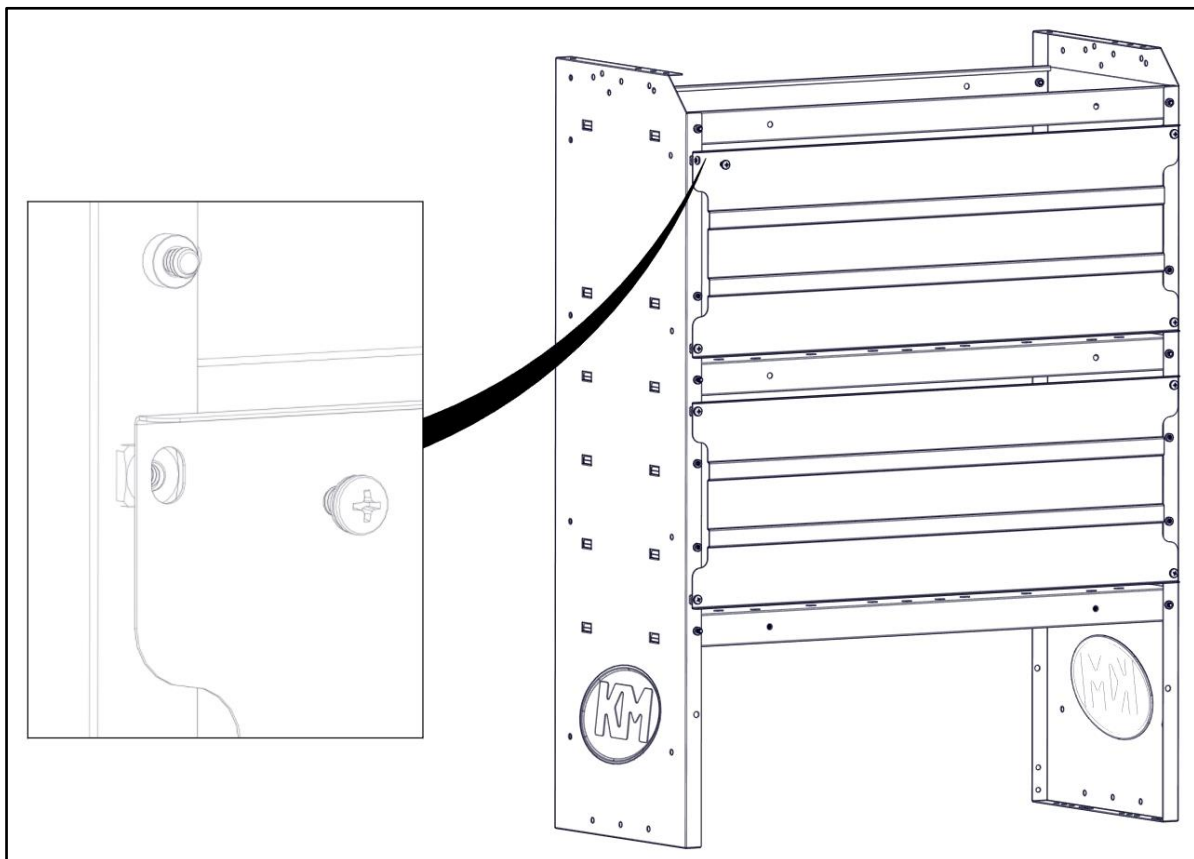
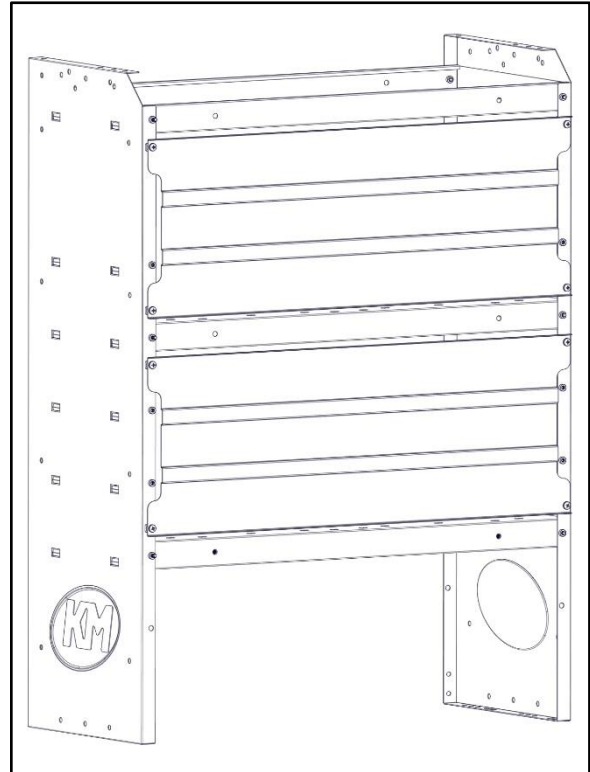
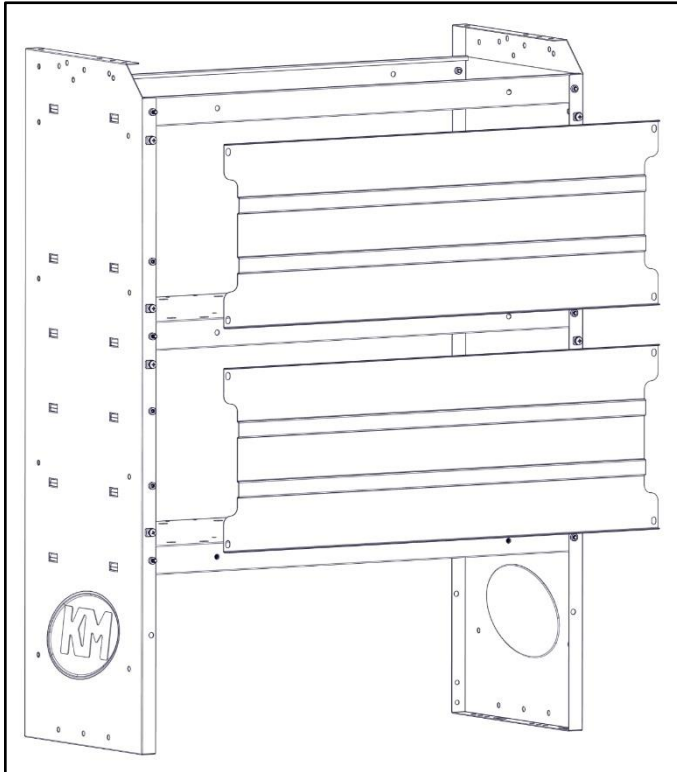
## Step 2 – Attach other shelf side

- Place other shelf side in orientation shown. These are the typical shelf locations.
- Be sure the shelf catches the shelf tab on the shelf side.
- On the front and at the rear of each shelf, fasten shelf into place using twelve 1/4" x 3/8" round head screws as shown.
- TIGHTEN



### Step 3 – Attach back panels

- At the backside of shelf assembly, place back panels as shown.
- Attach back panels using eight 1/4" x 3/8" round head screws with washer.
- TIGHTEN



Ensure all bolts are tight. Your Installation is now complete.

