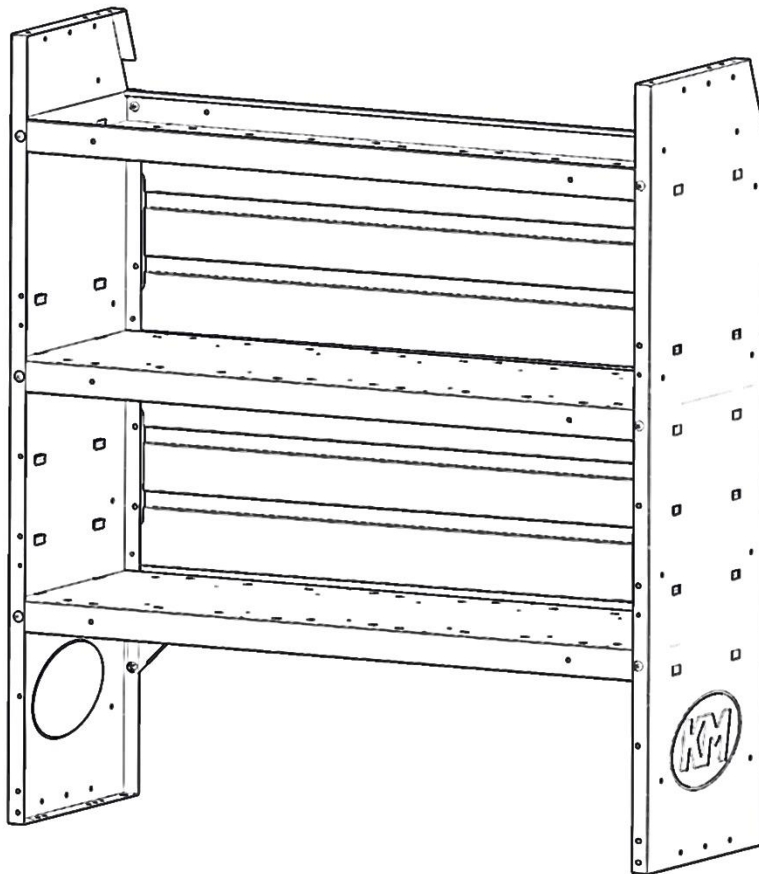




WE PUT EVERYTHING WITHIN REACH.

Assembly Guide

48320-48420-48520



Kargo Master
Rancho Cordova, CA 95742
800-343-7486
CustomerService@KargoMaster.com

PLEASE READ ALL INSTRUCTIONS AND WARNINGS PRIOR TO ASSEMBLING, INSTALLING, AND USING THIS PRODUCT

Warning



Always check for wires, fuel tanks and lines, brake lines and other important vehicle functionality items prior to drilling and installing all products.

Tools Needed

#2 Phillips Driver	7/16" Wrench and Socket
--------------------	-------------------------

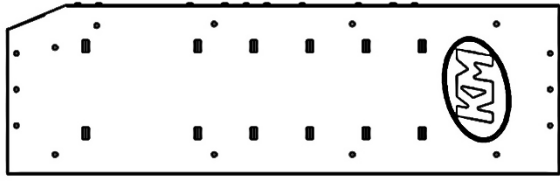
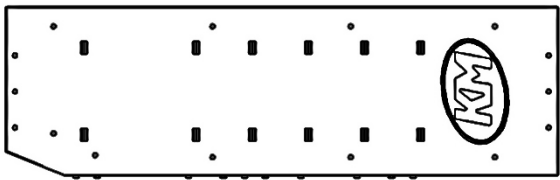
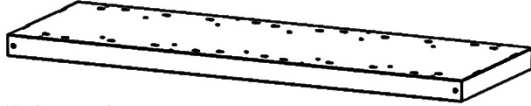

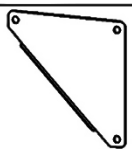
Contents

Before You Begin	1
Parts List	2
Assembly Hardware	2
Step 1 – Attach back panel.....	3
Step 2 – Place Bottom Shelf	5
Step 3 – Install Gusset	6
Step 4 – Install Middle Shelf.....	7
Step 5 – Install Top Shelf	7

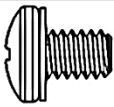

Before You Begin

- Read all instructions prior to installing.
- Ensure it is safe to drill before drilling anywhere on vehicle.
- Instructions shown using a 46”H x 42”W Shelf. Instructions are the same for both 32”W and 52”W shelf units.
- **When installing, LIFT shelf into position, DO NOT DRAG shelf to position.**

Parts List

NO.	ITEM	PART NUMBER	DESCRIPTION	QTY
1		48046-10	46"H RH SIDE PANEL ASM	1
2		MIRROR48046-10	46"H LH SIDE PANEL ASM	1
3	 *42" Shelf shown here	48032-10 48042-10 48052-10	32" SHELF ASM 42" SHELF ASM 52" SHELF ASM	3
4	 *42" Back panel shown here	48032-00-001 48042-00-001 48052-00-001	32" BACK PANEL 42" BACK PANEL 52" BACK PANEL	2
5		48000-00-001	GUSSET	2
6		18-48060	ASSEMBLY HARDWARE	1

Assembly Hardware

ITEM	HARDWARE TO SCALE	PART NUMBER	DESCRIPTION	QTY.
1		0147646	1/4"-20 x 3/8" PAN HEAD SCREW, INTERNAL TOOTH WASHER	32
2		37337	1/4"-20 SERRATED FLANGE NUT	4

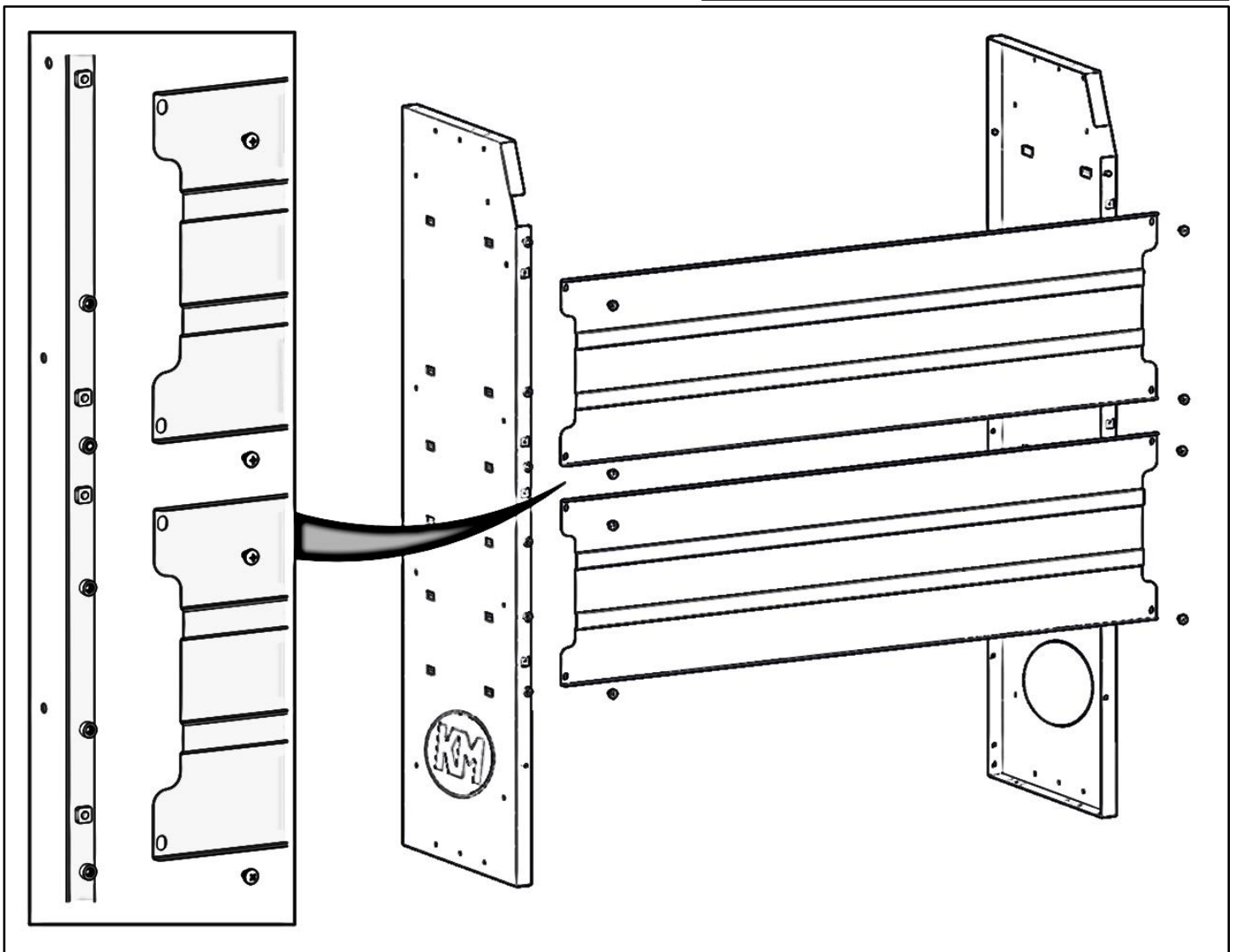
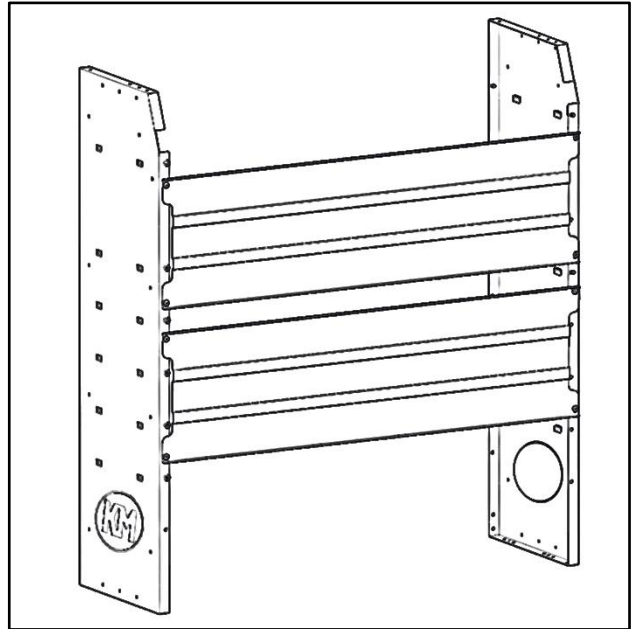
*This is a universal hardware kit. Excess hardware may be included.

Step 1 – Attach back panel

- Attach both back panels to shelf side panels using 1/4" x 3/8" pan head screws in the orientation shown.

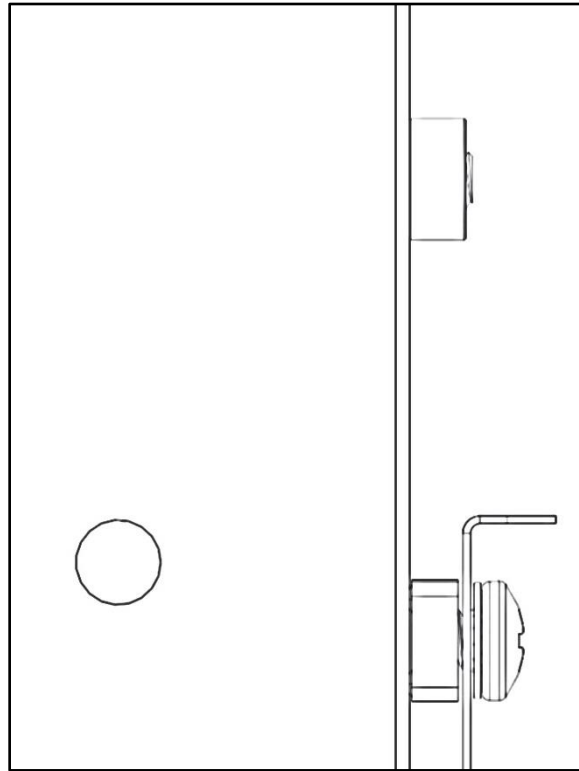
****Be sure to install back panel in the correct orientation, see next page****

- Snug tighten, but allow movement.

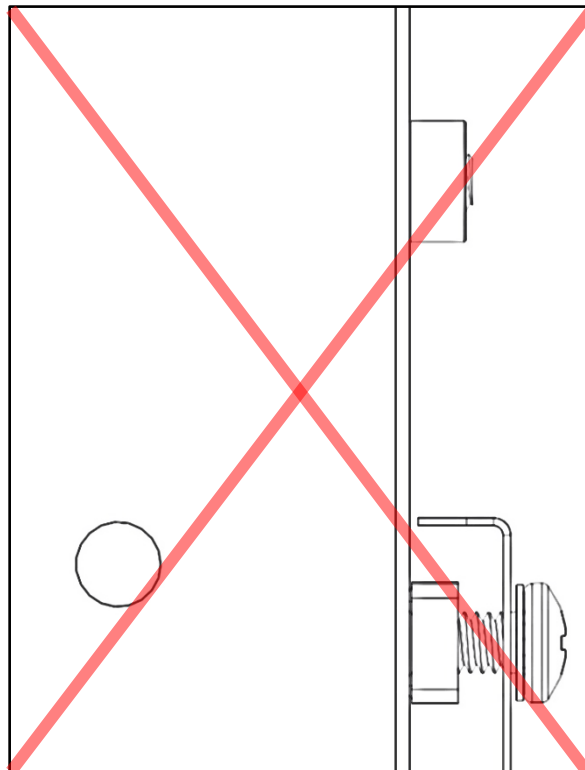


When installing the rear panels to the shelf assemblies, be sure the single lip flange is facing away from the shelf. If the rear panel is installed incorrectly, it may cause a rattle noise.

YES

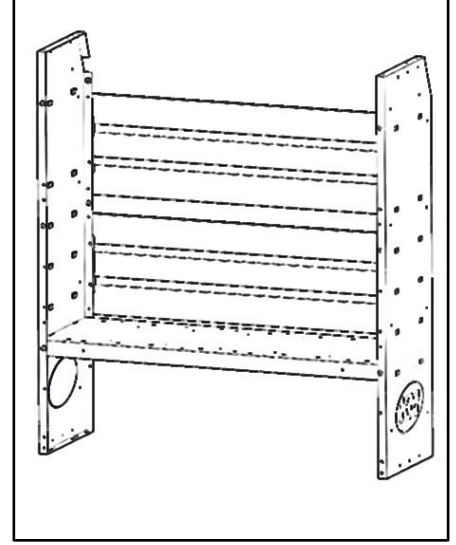
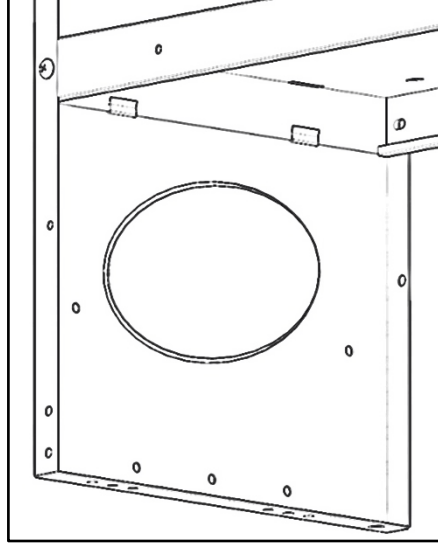
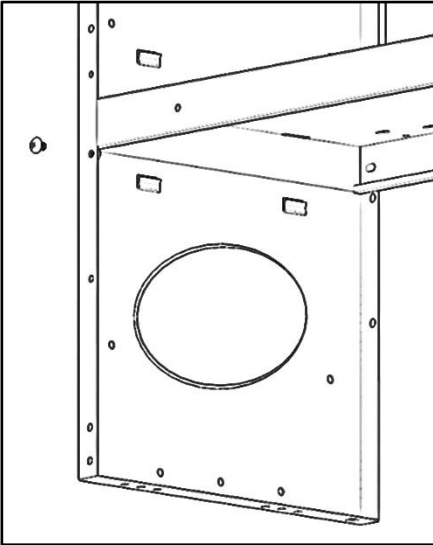


NO

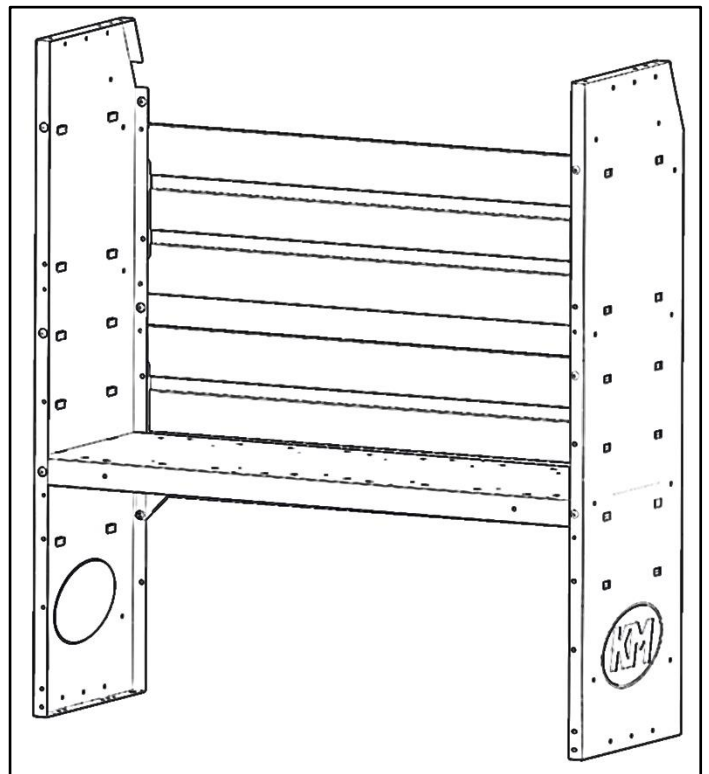
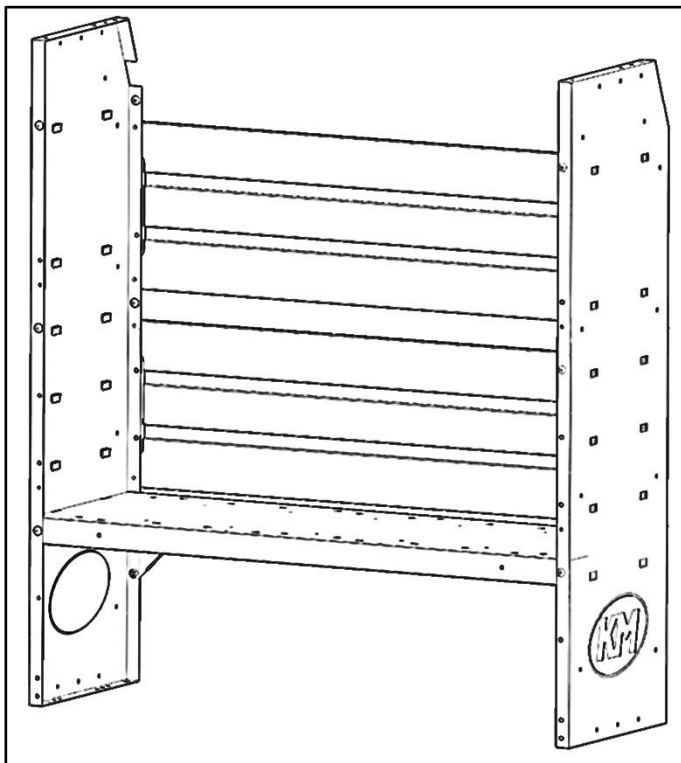


Step 2 – Place Bottom Shelf

- Shelves can be assembled with flanges pointing up to retain shelf contents, or flanges pointing down to allow the installation of drawer cabinets. Decide which option you want for each shelf before attaching it to the side panels. The beveled corner of each shelf side is in the back. Each shelf, front side only has nuts pressed into the shelf flange. Make sure the shelf is oriented properly (nuts in front) before attaching.
- Press the shelf down firmly so that it is resting solidly and level on the lances in the shelf sides.
- Attach the front of the shelf to each side using two 1/4" x 3/8" pan head cap screws.

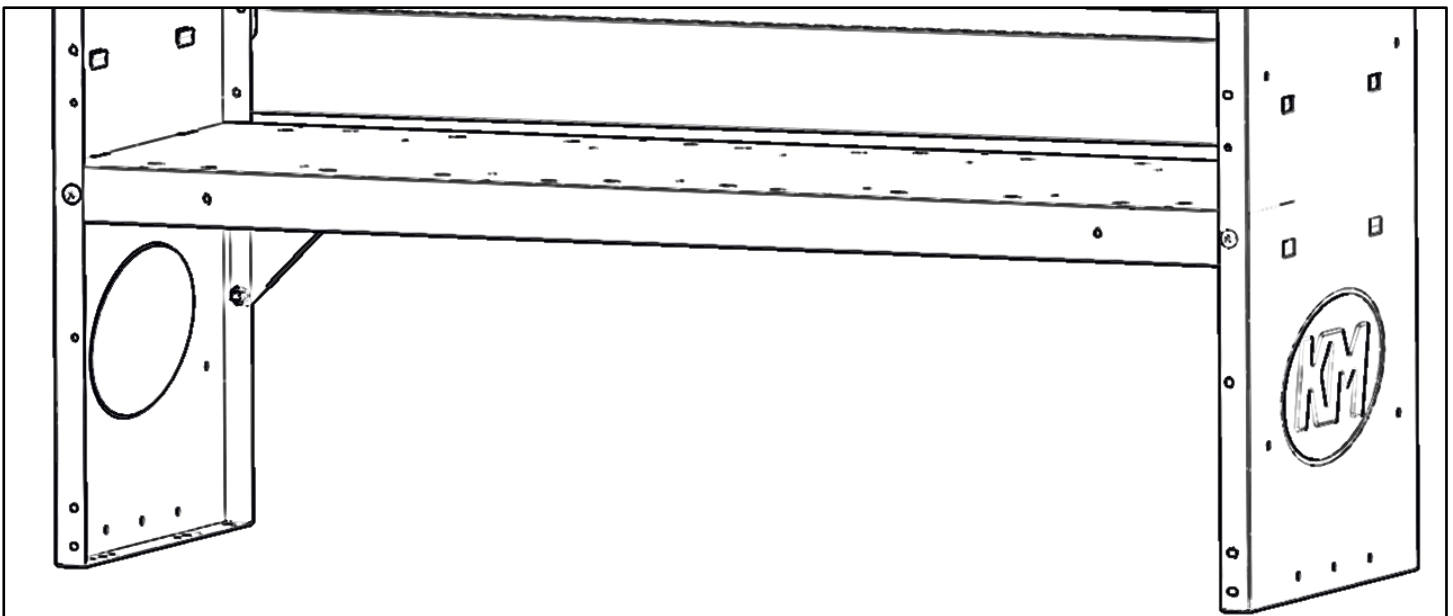
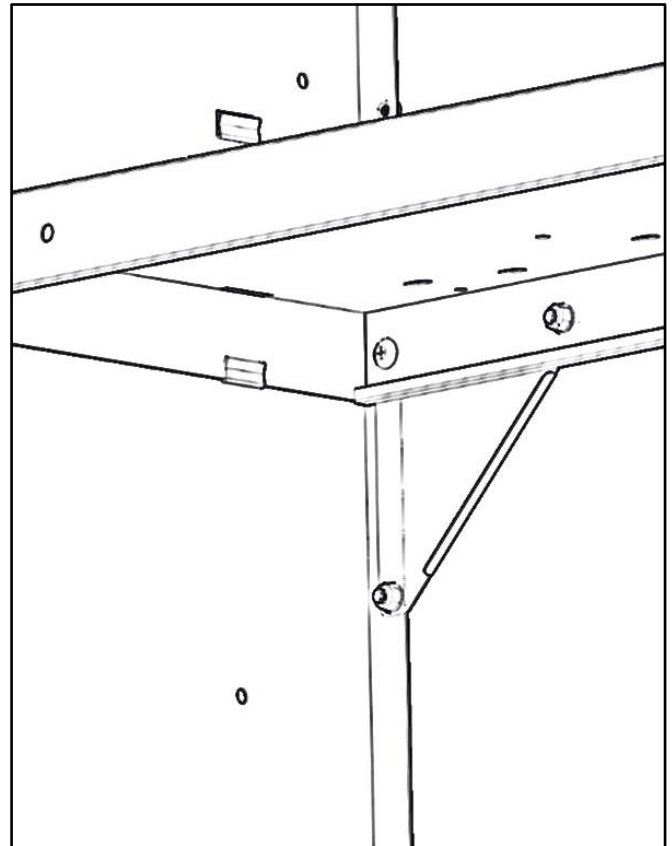
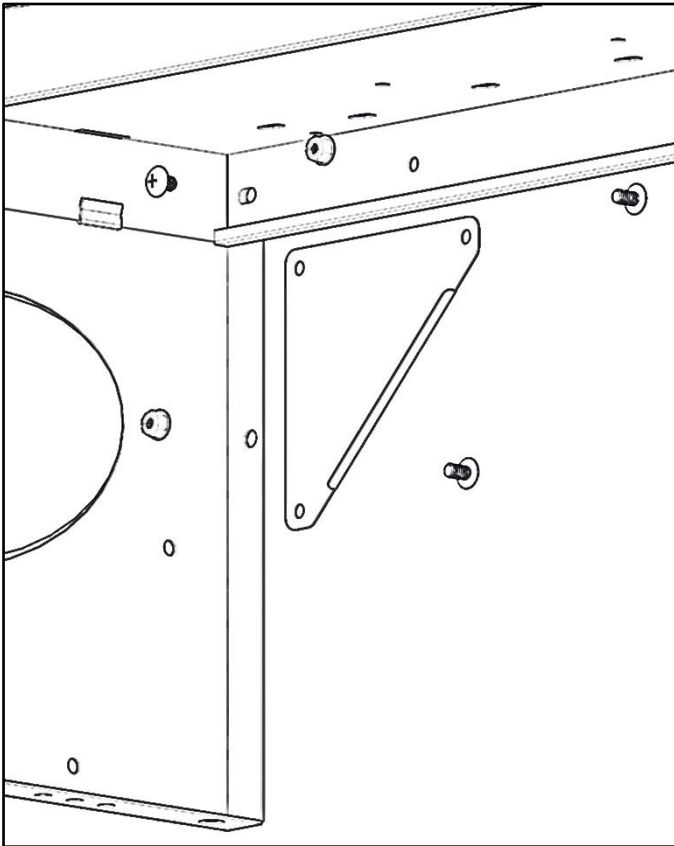


- Image on the left reflects most applications. The image on the right shows the bottom shelf for a Ram Promaster.



Step 3 – Install Gusset

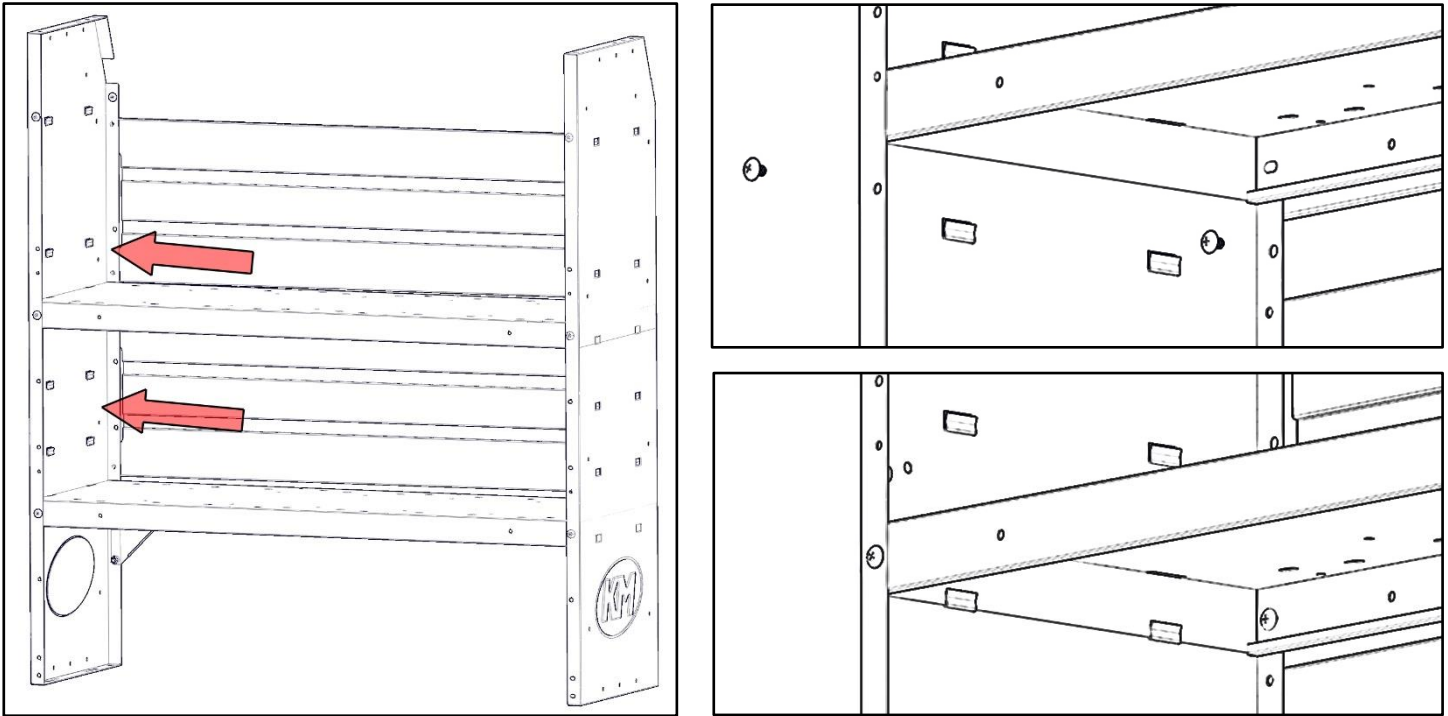
- In the corner of the bottom shelf, install support gusset.
- Be sure to have the flange on the gusset towards the inside of the shelf.
- Slide gusset between shelf side and the actual shelf installed in previous step.
- In the corner of the gusset, bolt into weld nut using a 1/4" x 3/8" pan head.
- At the ends of the gusset, bolt through the gusset, the shelf and the shelf side using 1/4" x 3/8" pan head and a 1/4" flanged lock nut.
- Repeat on other side.



Step 4 – Install Middle Shelf

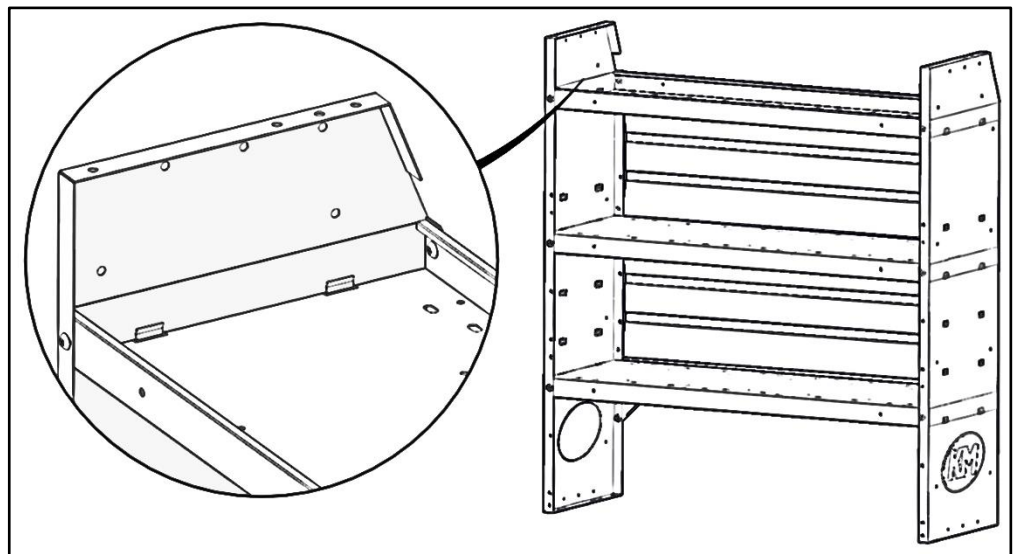
- Repeat Step 2 for middle shelf as shown.
- **NO GUSSET WILL BE INSTALLED ON OTHER SHELVES.**

NOTE: There are multiple mounting locations for the middle shelf, and an optional shelf can be purchased.



Step 5 – Install Top Shelf

- Repeat Step 2 for top shelf as shown. This shelf is shown with the flanges up, since this is the most common configuration for this shelf.



Align and square shelf.

Go back and ensure all bolts are TIGHT.

Insert shelf into van and follow install instructions.