

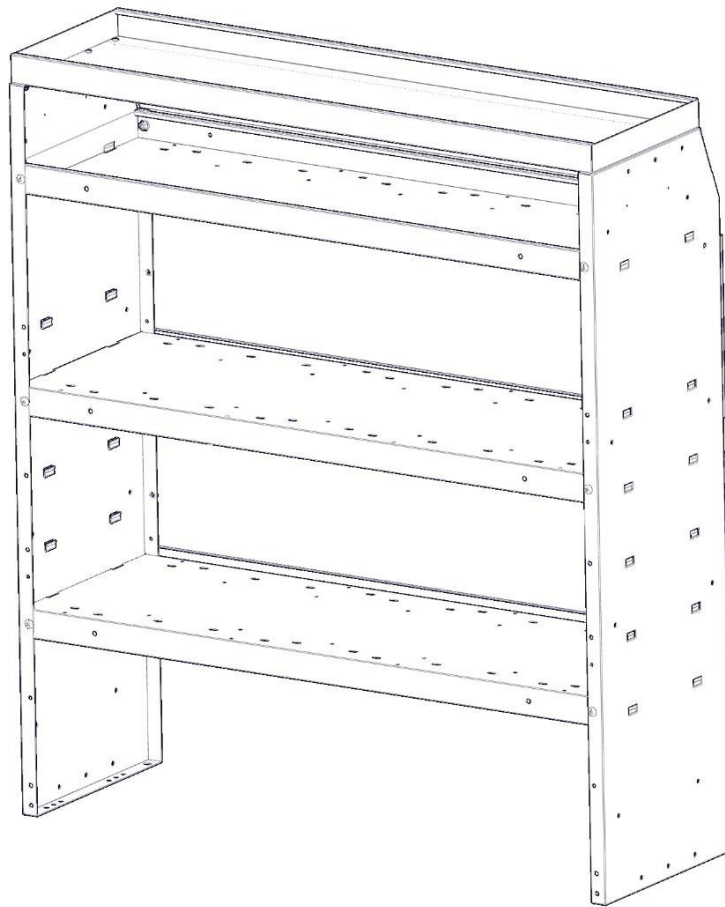
---

# Holman

---

## Installation Guide 48161

---



---

Holman  
Rancho Cordova, CA 95742  
800-343-7486  
InstallationSupport@Holman.com

---

DATE: \_\_\_\_\_

---

\*PLEASE READ ALL INSTRUCTIONS AND WARNINGS PRIOR TO ASSEMBLING,  
INSTALLING, AND USING THIS PRODUCT\*

---

## Warning



Always check for wires, fuel tanks and lines, brake lines and other important vehicle functionality items prior to drilling and installing all products.

---

## Tools Needed

3/8" Wrench and Socket	7/16" Wrench and Socket
Phillips Driver	

---

## Table of Contents

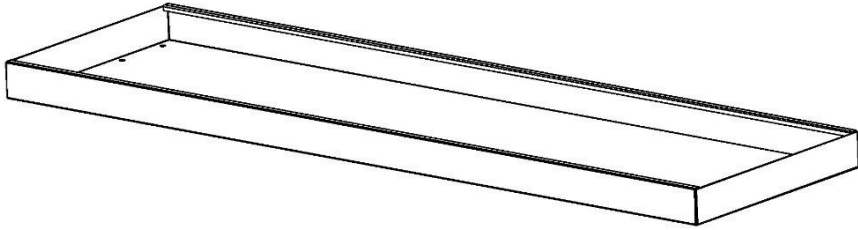
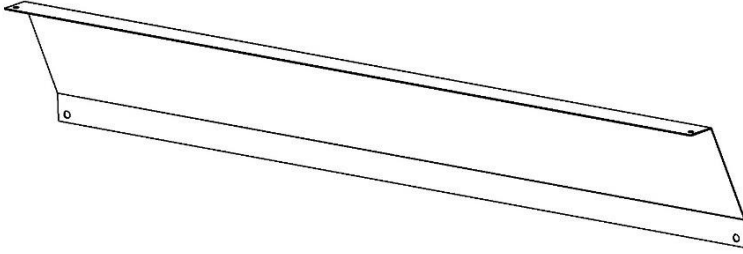
Parts List .....	2
Hardware List .....	2
Step 1 Prepare Shelf Unit .....	3
Step 2 Mount Top Back Panel .....	3
Step 3 Mount Top Shelf.....	4
Step 4 Align and Square .....	4

---

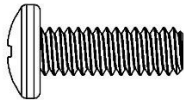
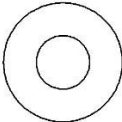


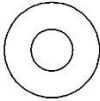

## Before You Begin

- Read all instructions.
  - Have 42" shelf assembled.
-

## Parts

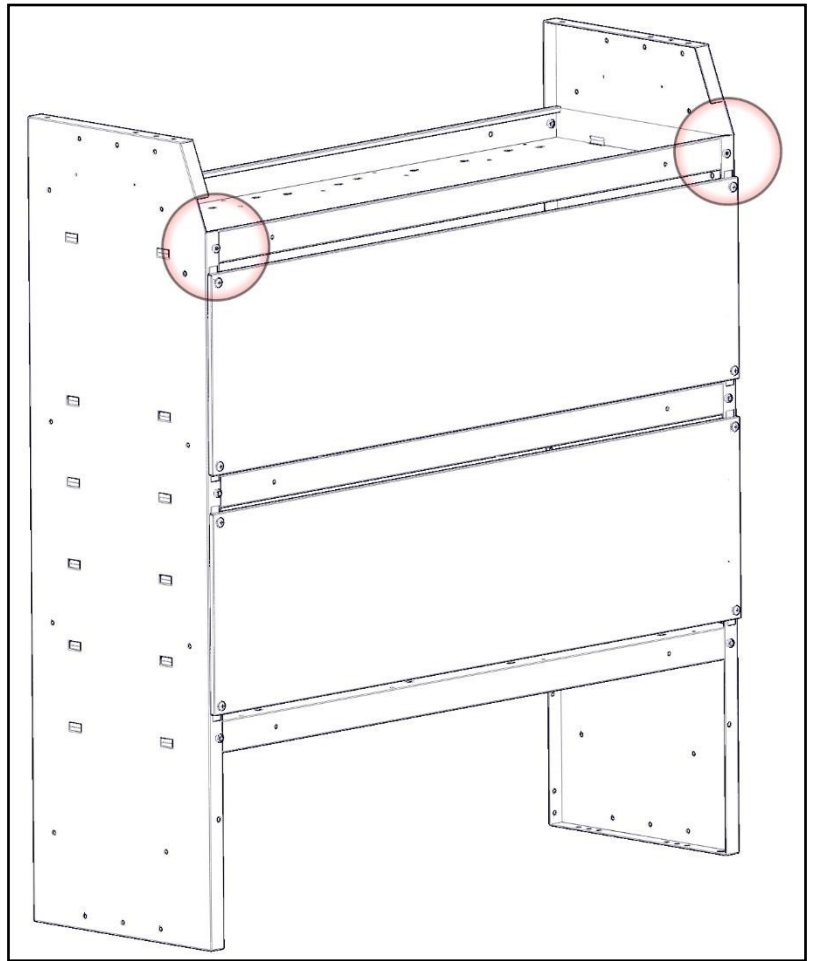
ITEM NO.		PART NUMBER	DESCRIPTION	QTY.
A		KD-42-301	Top Shelf	1
B		KD-42-302	Top Back panel	1
		18-48100	Extra Top Shelf Hardware	1

## Hardware

ITEM NO.	TO SCALE	PART NUMBER	DESCRIPTION	QTY.
1		90272A540	.25-20 x .75 Phillips Head	2
2		90126A029	.25 Flat Washer	2
3		95615A120	.25-20 Nyloc	2
4		90272A244	No10-24 x .625 Phillips Head	6
5		90126A514	No10 Flat Washer	6
6		90631A011	No10-24 Nyloc	6

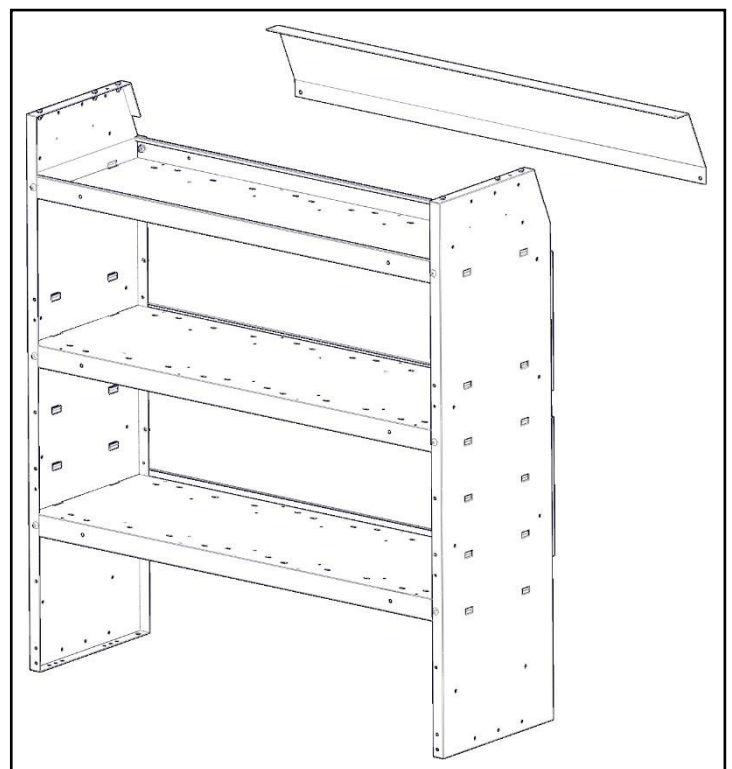
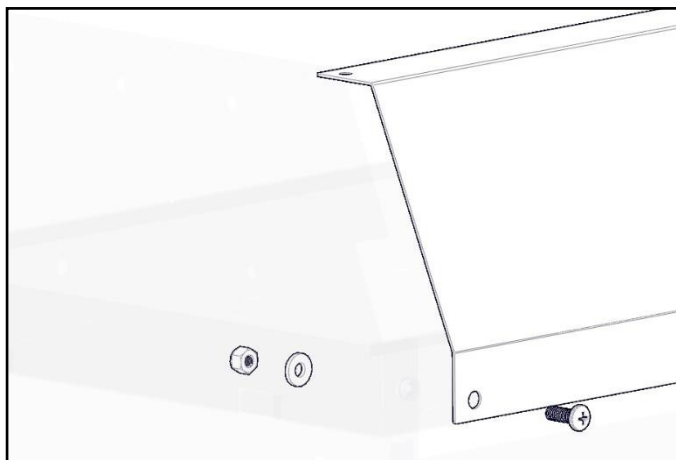
## Step 1 – Prepare Shelf Unit

- Remove both top-rear bolts from assembled shelf unit where the top shelf is installed.



## Step 2 – Mount Top Back Panel

- Place Top Back Panel (B) flush against the backside of shelf unit. Bolt through the pemnut where previous bolt was removed.
- Bolt together using a .25 x .75 phillips head (1), a .25 flat washer (2) and a .25 nyloc (3)
- Repeat on both sides.
- Snug Tighten, but allow movement.



## Step 3 – Mount Top Shelf

- Place Top Shelf (A) on top of assembled shelf unit with the Top Back Panel (B).
- Bolt Top Shelf (A) through Top Back Panel (B) and through the top of the shelf assembly using three #10 x .625 phillips head bolt (4), #10 flat washer (5) and a #10 nyloc (6) on each side.
- Repeat on opposite side
- Snug Tighten, but allow movement.



## Step 4 – Align and Square

- Align and square top shelf to your liking.

GO BACK AND TIGHTEN ALL  
BOLTS  
YOUR INSTALLATION IS NOW  
COMPLETE

