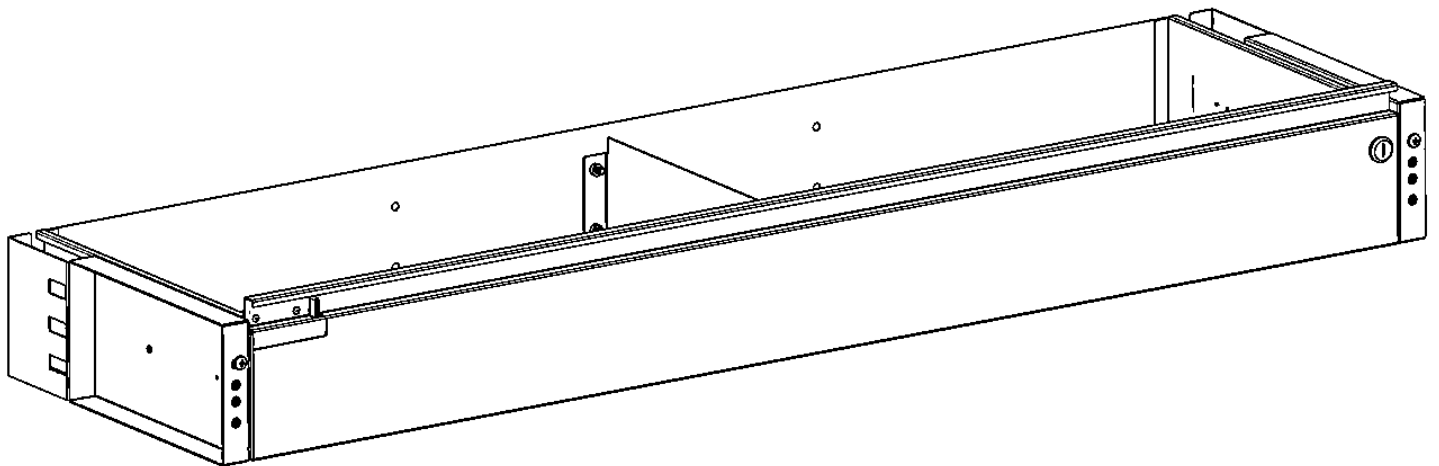


# Holman

---

## Instruction Guide 48152

---



---

Holman  
Rancho Cordova, CA 95742  
800-343-7486  
InstallationSupport@Holman.com

---

---

**\*PLEASE READ ALL INSTRUCTIONS AND WARNINGS PRIOR TO ASSEMBLING, INSTALLING, AND USING THIS PRODUCT.\***

---

## Warning



Always check for wires, fuel tanks and lines, brake lines and other important vehicle functionality items prior to drilling and installing all products.

---

## Tools Needed

Phillips Driver
-----------------

---

## Table of Contents

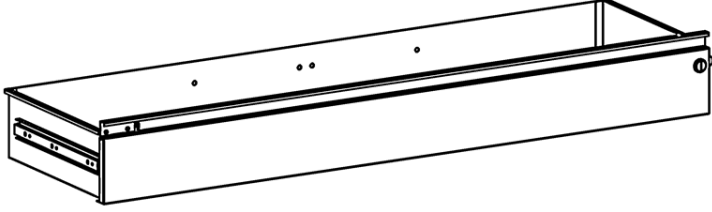
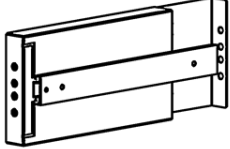
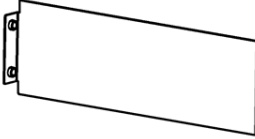
Parts List .....	3
Hardware .....	3
Step 1 – Determine Location.....	4
Step 2 – Attach Drawer Mounts .....	5
Step 3 – Install Divider .....	6
Step 4 – Install Drawer .....	7
Drawer Removal .....	8

---


## Before You Begin

- Read all instructions.
  - DO NOT OVERLOAD THE DRAWER UNIT. MAXIMUM CAPACITY IS 75lbs.
-

## Parts

ITEM NO.		PART NUMBER	DESCRIPTION	QTY.
A		48152-10-R1	52" Drawer Assembly	1
B		481x2-10	Drawer Mount Assembly	2
C		481x2-20	Divider Assembly	1
		18-481x2-R1	Hardware	1

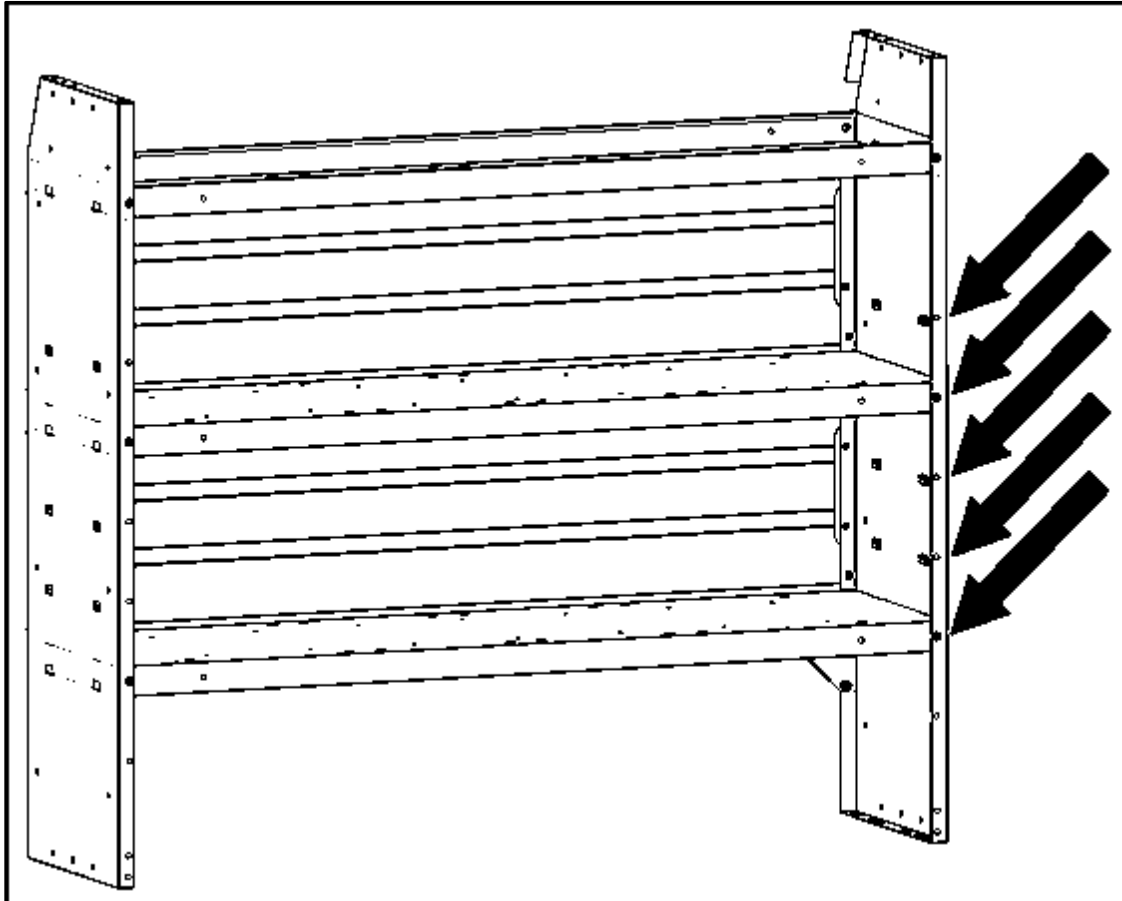
## Hardware

ITEM NO.	TO SCALE	PART NUMBER	DESCRIPTION	QTY.
1		96562A537	1/4"-20 x 1/2" Pan Head Screw	6

## Step 1 – Determine Location

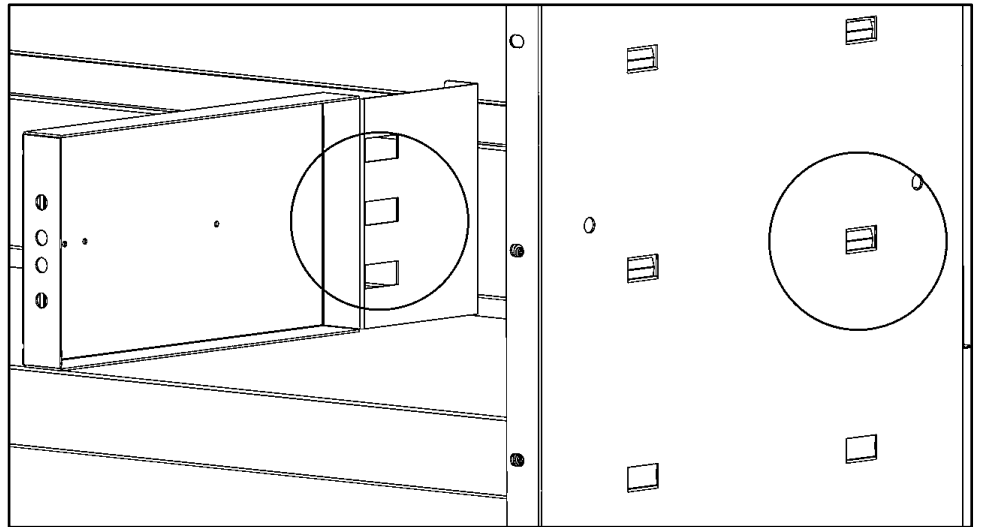
- Determine the location for the drawer to be mounted.

**Note:** If only one drawer unit is being installed, it is recommended to install directly under a shelf. This provides an enclosed area when drawer is closed.

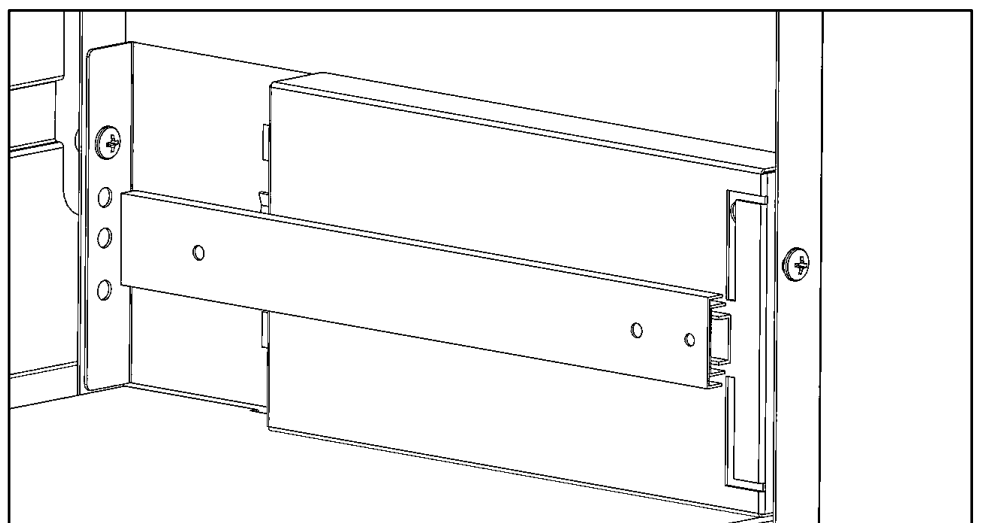
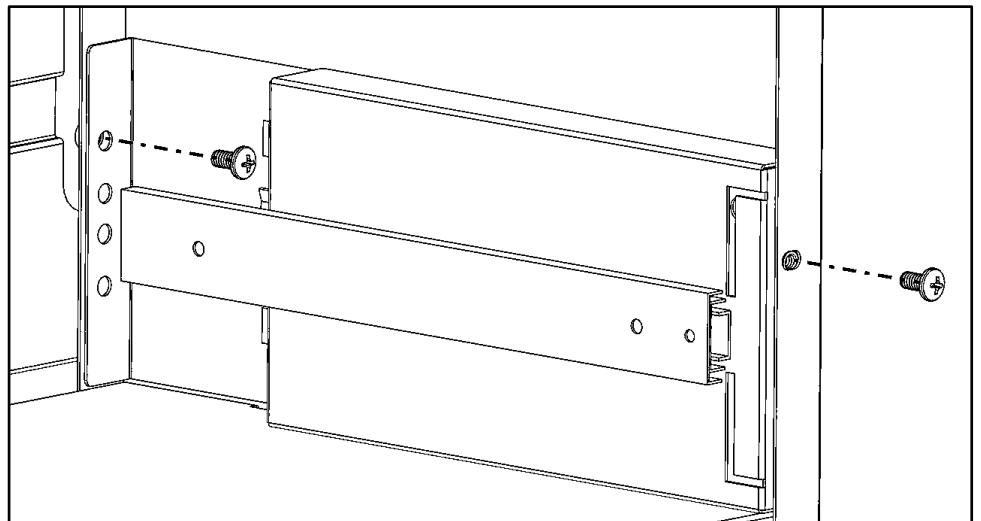


## Step 2 – Attach Drawer Mounts

- Place the drawer mount into the shelf unit in the orientation shown.
- Hook the drawer mounts onto the rear tab in the shelf side panel.

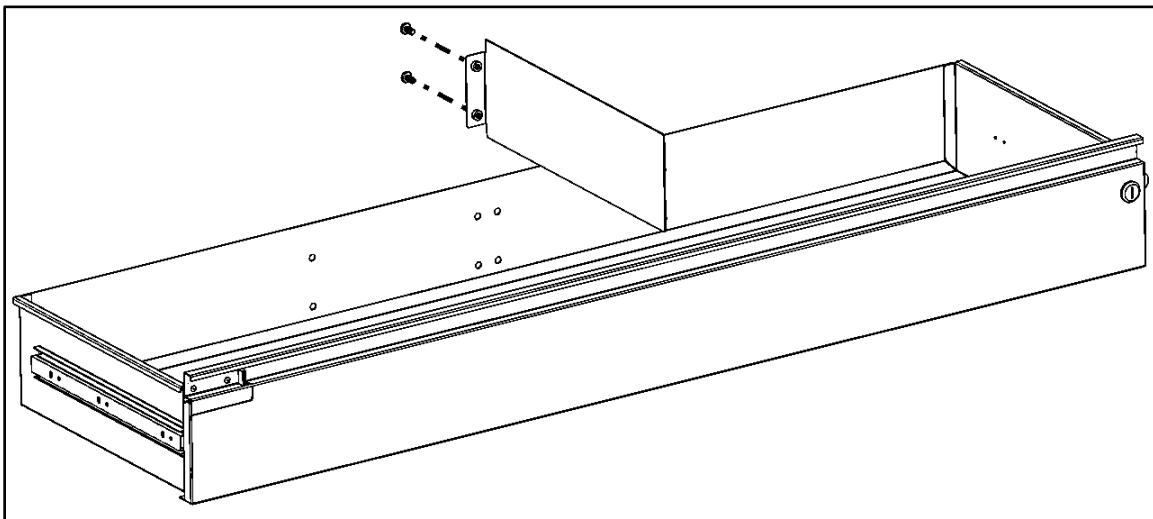
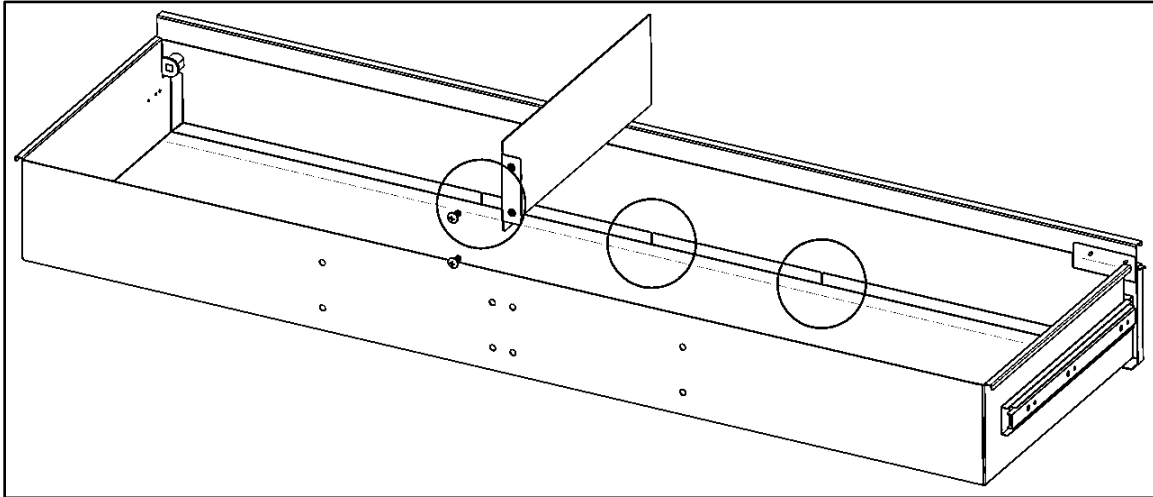


- Using two 1/4" x 1/2" pan head screws, attach the drawer mount to the threaded emboss at the rear and through the hole in the front of the shelf side panel.
- **TIGHTEN** the rear screw.
- Snug tighten the front screw.
- Repeat on opposite side.



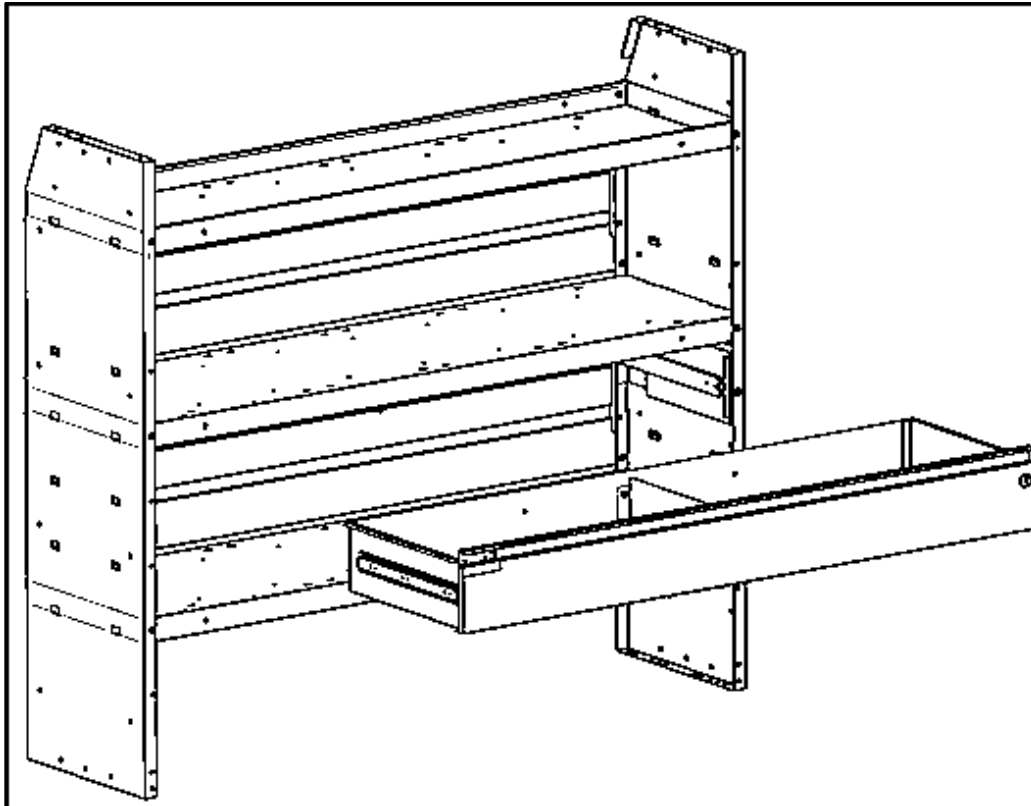
## Step 3 – Install Divider

- If desired, install the divider into the shelf assembly. There are three locations to choose from.
- Bolt into place using 1/4" x 1/2" pan head screw. Be sure the front of the divider sits in the slot at the front of the drawer assembly.



## Step 4 – Install Drawer

- Align the slider rails on the previously installed side mounts with the slides on the drawer unit.
- Slide the drawer assembly in place. The drawer should move freely in and out of place. Be sure the drawer can NOT pull out when fully opened.
- Tighten the front screws from Step 2.



## Steps to Remove Drawer from Drawer Mounts

- Extend the drawer all the way out to view the latch.
- Gently click the latch to disengage the rail.  
**Note: If the latch's original position is up, clip down to disengage and vice versa.**
- Disengage rail on both sides and pull drawer unit out.





Multiple shelf units may be installed in a variety of different locations.  
Some examples are shown below.

When only one drawer unit is being installed, it is recommended to install directly below a shelf to provide an enclosed area when the drawer is closed.

Ensure all bolts are tight. Your Installation is now complete.

