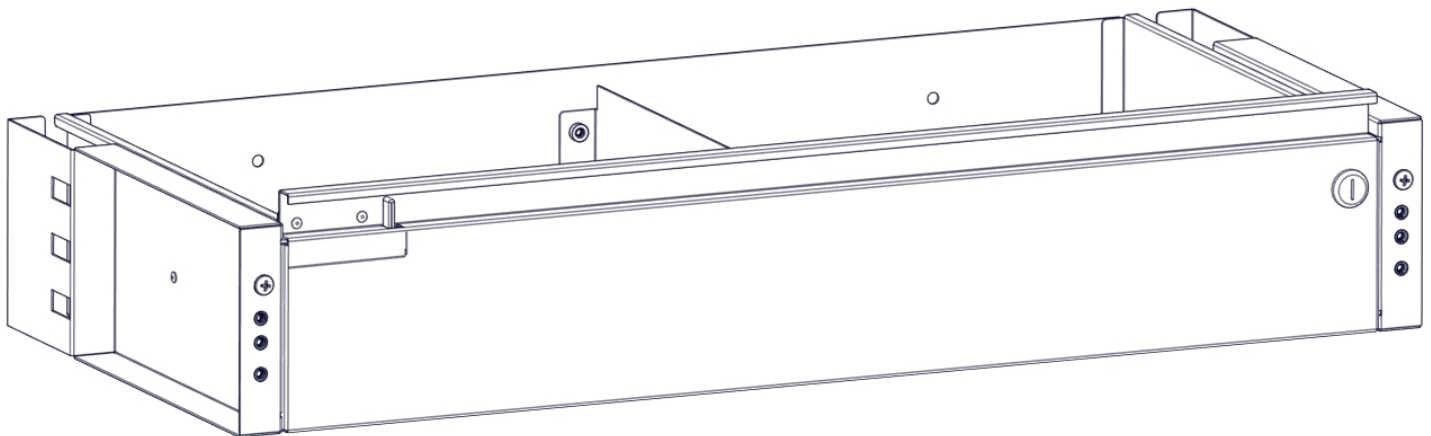

Holman

Instruction Guide

48132



Holman
Rancho Cordova, CA 95742
800-343-7486
InstallationSupport@Holman.com

*PLEASE READ ALL INSTRUCTIONS AND WARNINGS PRIOR TO ASSEMBLING,
INSTALLING, AND USING THIS PRODUCT*

Warning



Always check for wires, fuel tanks and lines, brake lines and other important vehicle functionality items prior to drilling and installing all products.

Tools Needed

Phillips Driver

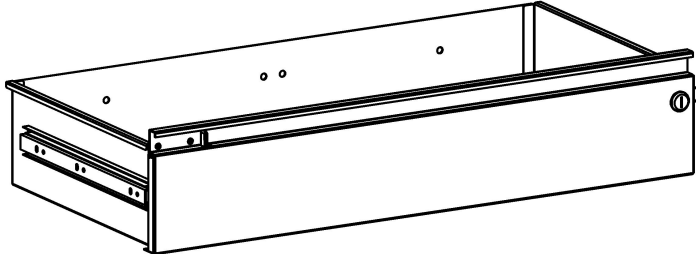
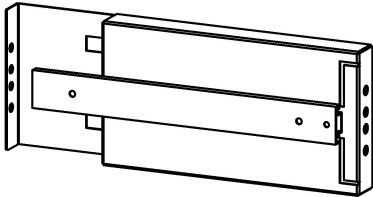
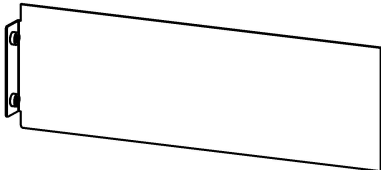
Table of Contents

Parts List	3
Hardware	3
Step 1 – Determine Location.....	4
Step 2 – Attach Drawer Mounts	5
Step 3 – Install Divider	6
Step 4 – Install Drawer	7
Drawer Removal	8

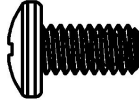
Before You Begin

- Read all instructions.
 - DO NOT OVERLOAD THE DRAWER UNIT. MAXIMUM CAPACITY IS 75lbs.
-

Parts

ITEM NO.		PART NUMBER	DESCRIPTION	QTY.
A		48132-10-R1	32" Drawer Assembly	1
B		481x2-10	Drawer Mount Assembly	2
C		481x2-20	Divider Assembly	1
		18-481x2-R1	HARDWARE	1

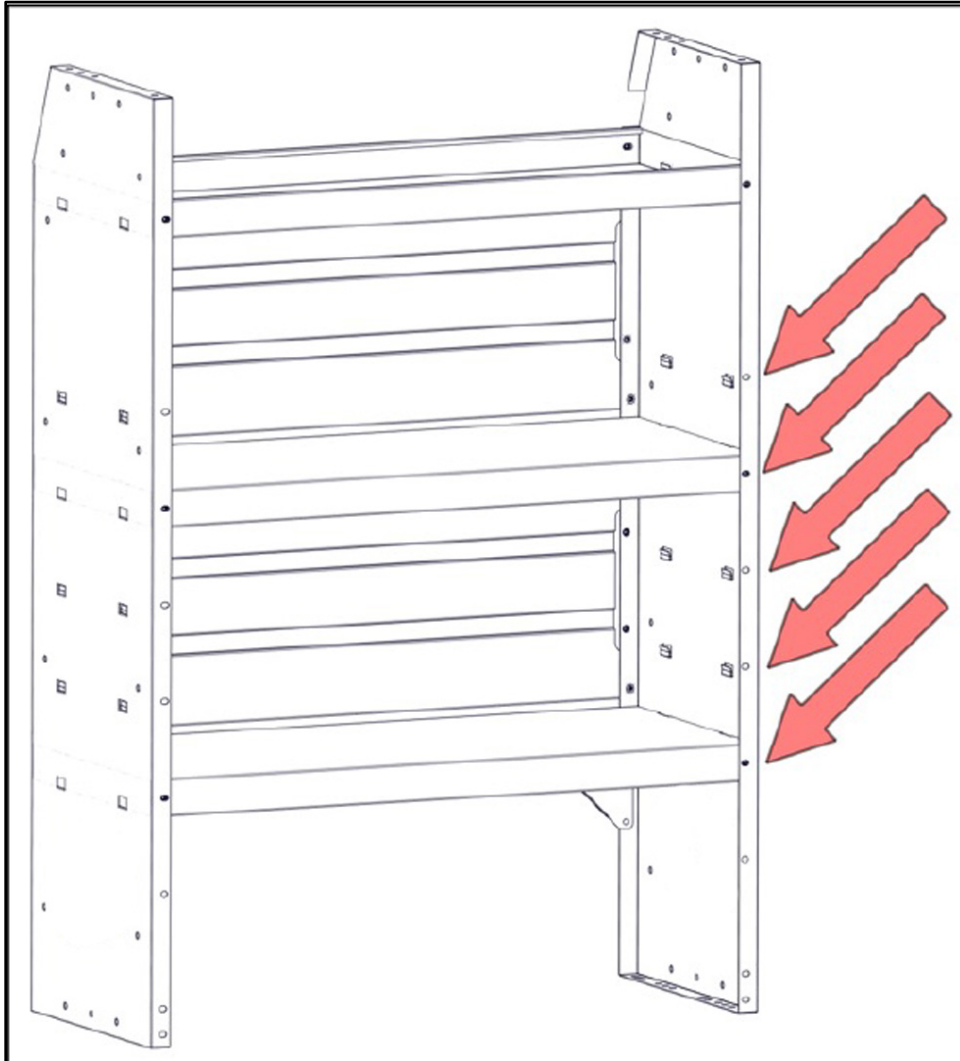
Hardware

ITEM NO.	TO SCALE	PART NUMBER	DESCRIPTION	QTY.
1		96562A537	1/4"-20 x 1/2" Pan Head Screw	6

Step 1 – Determine Location

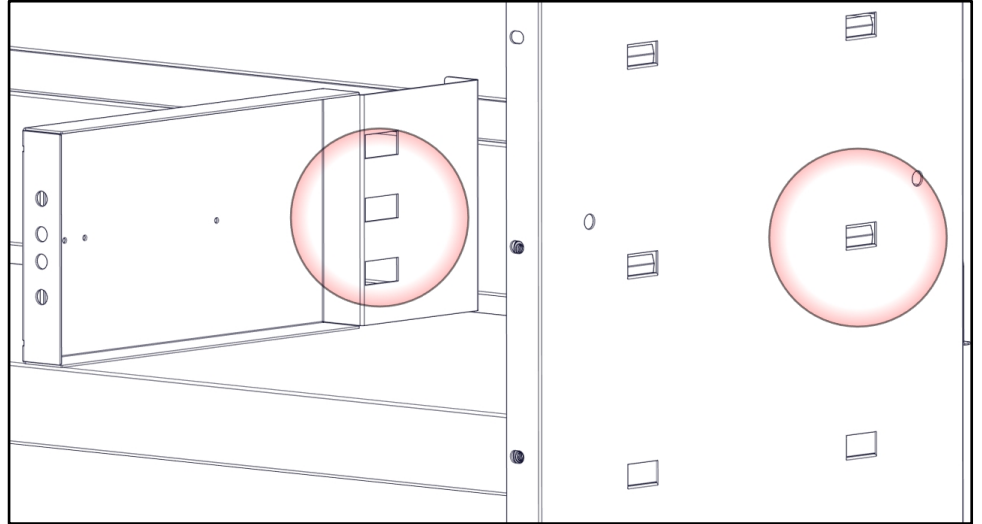
- Determine the location for the drawer to be mounted.

Note: If only one drawer unit is being installed, it is recommended to install directly under a shelf. This provides an enclosed area when drawer is closed.

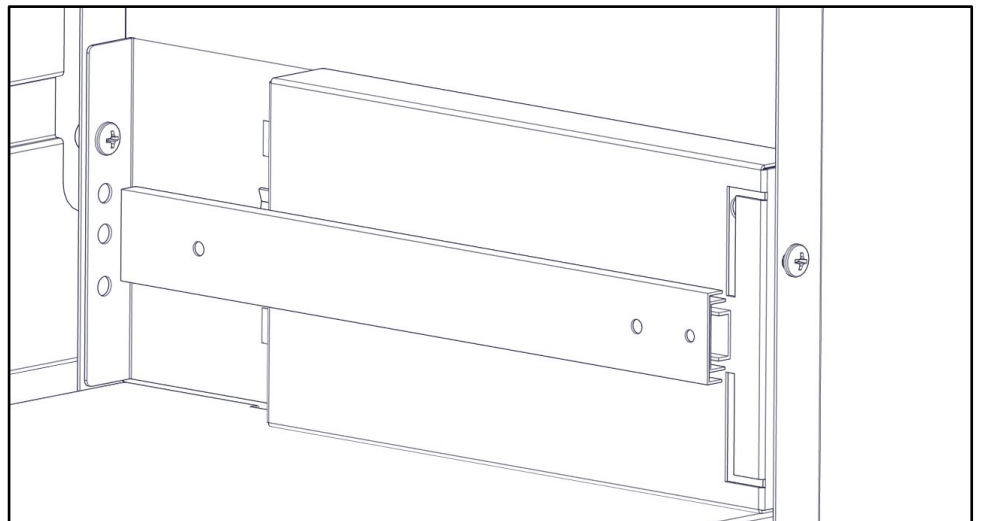
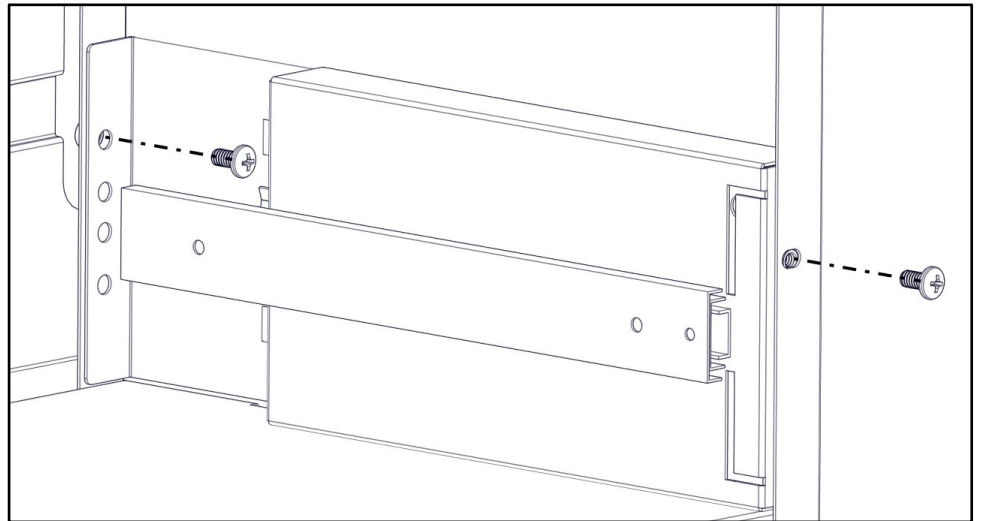


Step 2 – Attach Drawer Mounts

- Place the drawer mount into the shelf unit in the orientation shown.
- Hook the drawer mounts onto the rear tab in the shelf side panel.

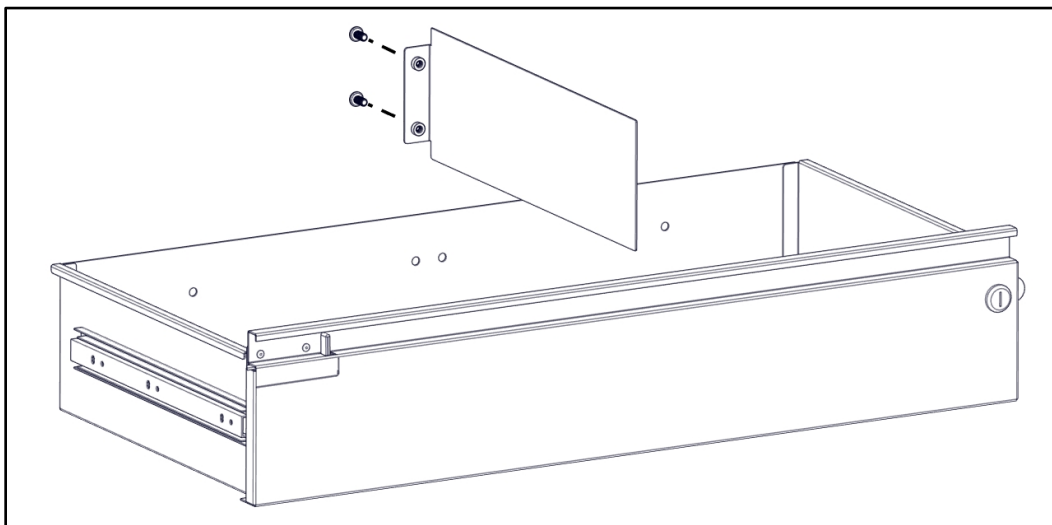
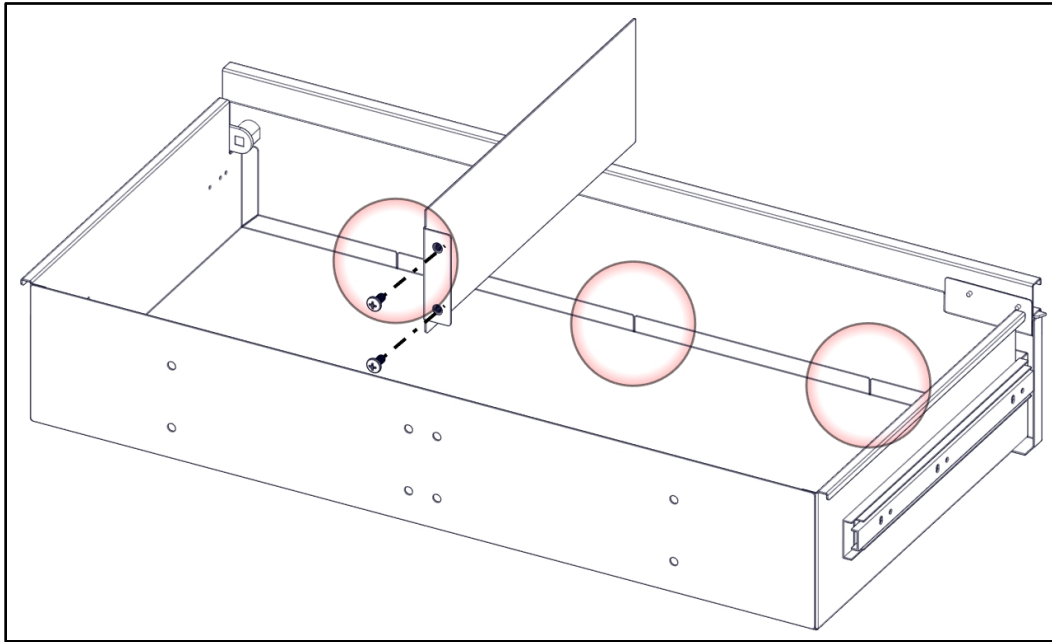


- Using two 1/4" x 1/2" pan head screws, attach the drawer mount to the threaded emboss at the rear and through the hole in the front of the shelf side panel.
- TIGHTEN the rear screw.
- Snug tighten the front screw.
- Repeat on both sides.



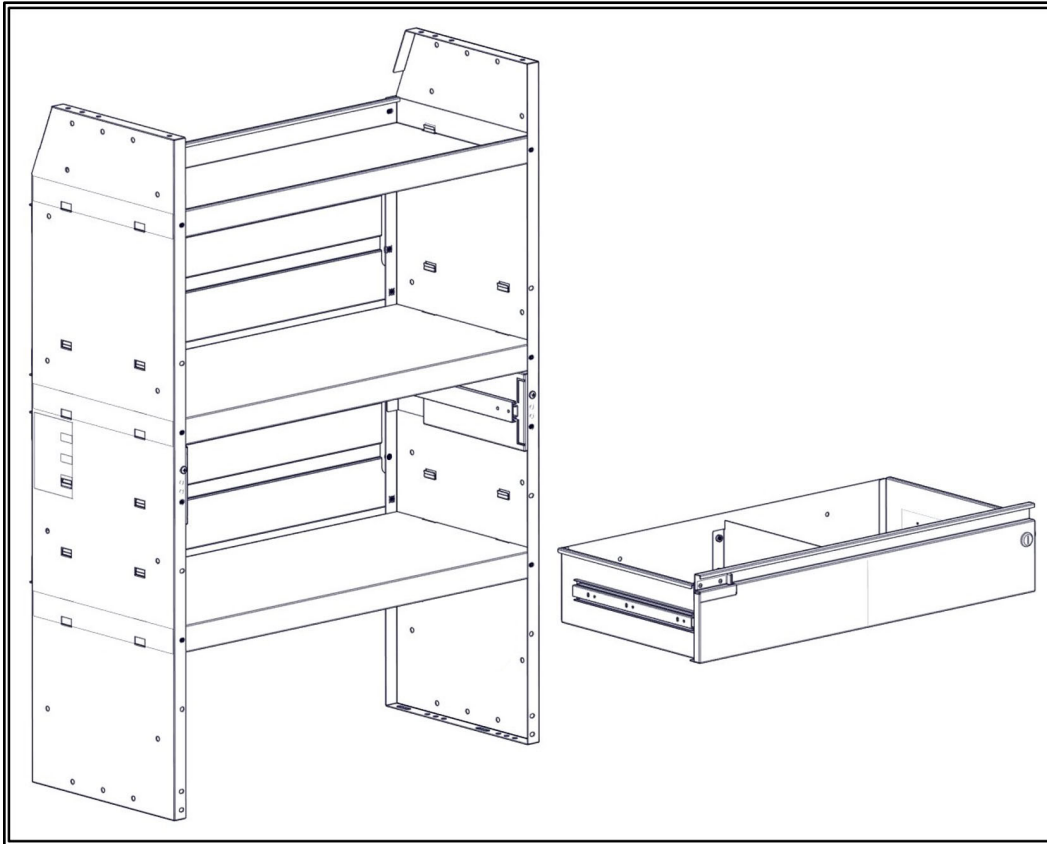
Step 3 – Install Divider

- If desired, install the divider into the shelf assembly. There are three locations to choose from.
- Bolt into place using 1/4" x 1/2" pan head screw. Be sure the front of the divider sits in the slot at the front of the drawer assembly.



Step 4 – Install Drawer

- Align the slider rails on the previously installed side mounts with the slides on the drawer unit.
- Slide the drawer assembly in place. The drawer should move freely in and out of place. Be sure the drawer can NOT pull out from sliders when fully opened.
- Tighten the front screws from Step 2.

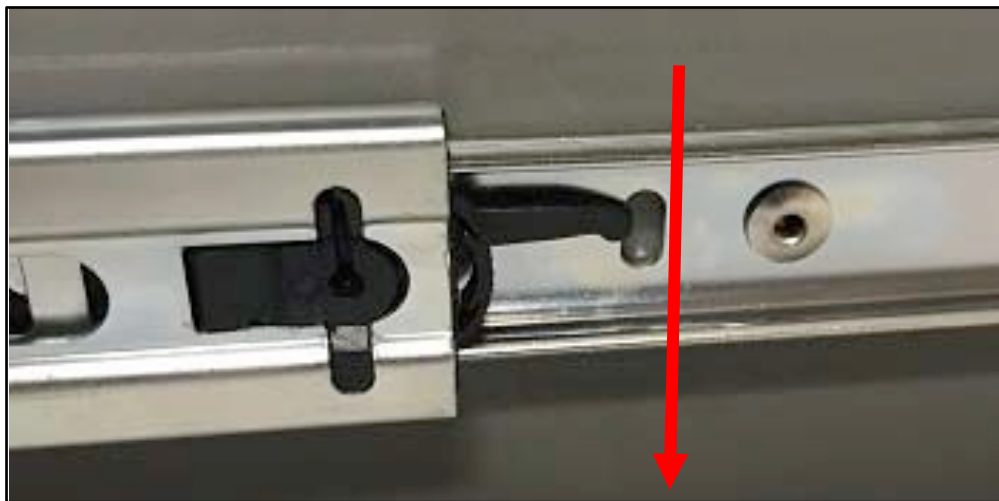


Steps to remove drawer from drawer mounts

- Extend the drawer all the way out to view the latch.
- Gently click the latch to disengage the rail.

Note: If the latch's original position is up, clip down to disengage and vice versa.

- Disengage rail on both sides and pull drawer unit out.



Multiple shelf units may be installed in a variety of different locations. Some examples are shown below.

When only one drawer unit is being installed, it is recommended to install directly below a shelf to provide an enclosed area when the drawer is closed.

Ensure all bolts are tight. Your Installation is now complete.

