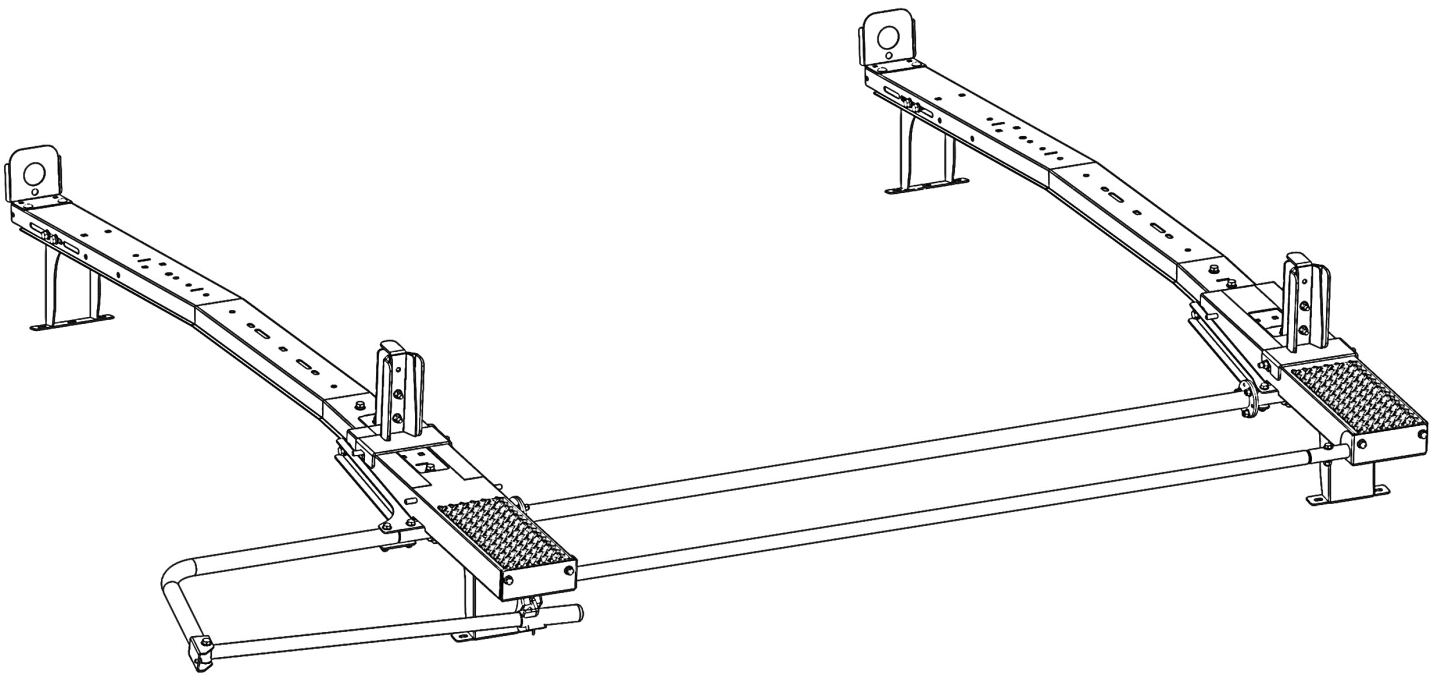


Holman

Instruction Guide

47953



Holman
Rancho Cordova, CA 95742
800-343-7486
InstallationSupport@Holman.com

PLEASE READ ALL INSTRUCTIONS AND WARNINGS PRIOR TO ASSEMBLING, INSTALLING, AND USING THIS PRODUCT.

Warning



Always check for wires, fuel tanks and lines, brake lines and other important vehicle functionality items prior to drilling and installing all products.



DO NOT EXCEED MANUFACTURERS WEIGHT CAPACITY FOR ROOF.

Tools Needed

7/16", 1/2", and 9/16" Sockets	Socket Wrench
7/16", 1/2", and 9/16" Box Wrenches	21/64" or Q Size Drill Bit
Drill	

Table of Contents

Parts List2

Hardware.....3

Step 1 – Determine Installation Location4

Step 2 – Assemble Feet4

Step 3 – Install Pan Hooks5

Step 4 – Identify Front and Rear Bows5

Step 5 – Install Torsion Bar6

Step 6 – Install Ladder Pan Stiffener6

Step 7 – Install Latch.....7

Step 8 – Install Handle.....7

Step 9 – Determine Ladder Stop Locations8

Step 10 – Install Ladder Stops9

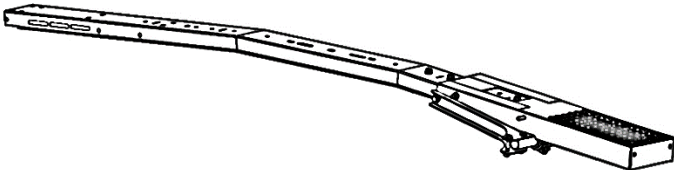
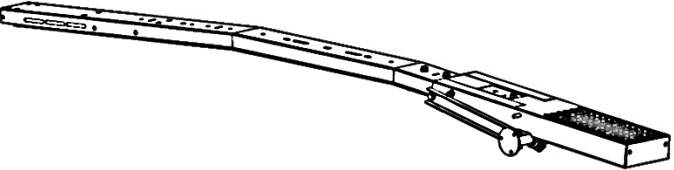
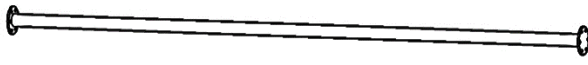

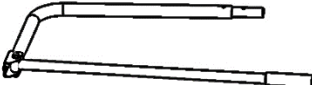

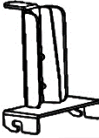




Step 11 – Install Ladder Hooks9

Step 12 – Mount Rack10

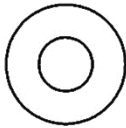

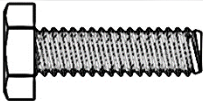

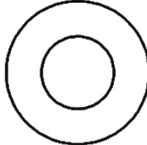
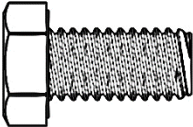


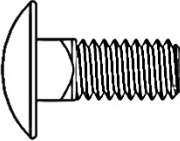
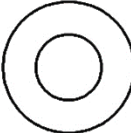
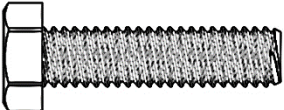
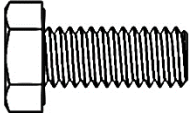
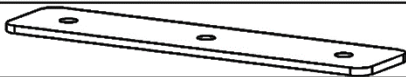
Before You Begin

- Read all instructions.
- Find your vehicle roof rail mounting locations prior to rack assembly.
- Be sure to put sealant around all threads entering cargo area and between the rubber spacer and roof of vehicle to prevent water from leaking into cargo area.
- The standard distance between the front and rear bow is 71.5". This can vary, but be sure the rack can be assembled prior to installing mounts on vehicle.

Parts List

ITEM NO.	ITEM	PART NUMBER	DESCRIPTION	QTY.
1		47800-03	REAR BOW ASSEMBLY	1
2		47800-04	FRONT BOW ASSEMBLY	1
3		40800-21	TORSION BAR, 61.25"	1
4		40953-831	LADDER PAN STIFFENER	1
5		40900-40-1	HANDLE ASSEMBLY	1
6		40900-43	LATCH ASSEMBLY	1
7		40900-31	LADDER HOOK ASSEMBLY	2
8		40900-30-004	LADDER STOP	2
9		40800-10-008	END STOP	2
10		40959-10	SERVICE BODY FOOT, WIDE	4
11		11-03093	FLAT MOUNT BACKING PLATE	4
12		18-00813	HARDWARE KIT	1

Hardware

ITEM	HARDWARE TO SCALE	PART NUMBER	DESCRIPTION	QTY.
1			1/4" FLAT WASHER	12
2		37018	1/4"-20 NYLON INSERT LOCK NUT	6
3		13004	1/4"-20 X 7/8" HEX HEAD BOLT	6
4			3/8" LOCK WASHER	16
5			3/8" FLAT WASHER	16
6		11241196	3/8"-16 X 3/4" HEX HEAD BOLT	16
7			5/16" LOCK WASHER	4
8		0169777	5/16"-18 NYLOC	14
9		21810	5/16"-18 X 3/4" CARRIAGE BOLT	6
10			5/16" FLAT WASHER	26
11		11241180	5/16"-18 X 1-1/4" HEX HEAD BOLT	8
12		92865A580	5/16"-18 X 5/8" HEX HEAD BOLT	4
13		12-00279	THREE HOLE RUBBER PAD	8
14		-	SELF-LEVELING ADHESIVE SEALANT	1

DO NOT EXCEED MANUFACTURERS WEIGHT CAPACITY FOR ROOF

Step 1 – Determine Installation Location

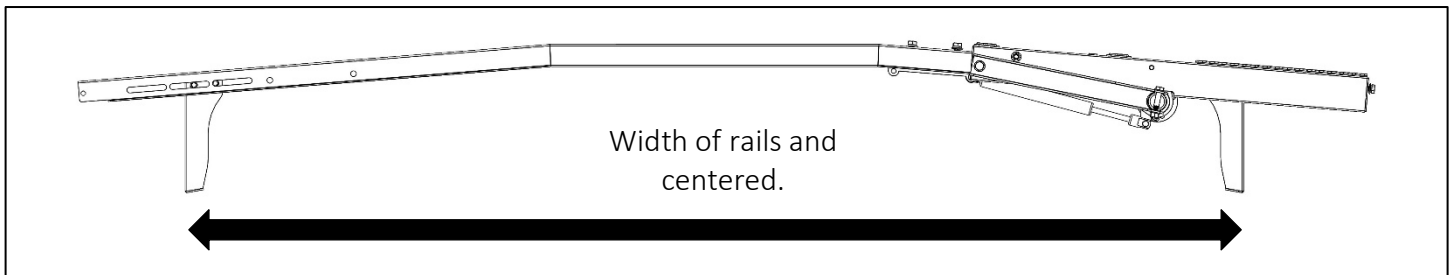
- Determine the approximate location for installation of mounting feet on closed service body or cap.



The rack will require holes be drilled into the roof, so verify the following.

Make sure the following clearances and warnings are met.

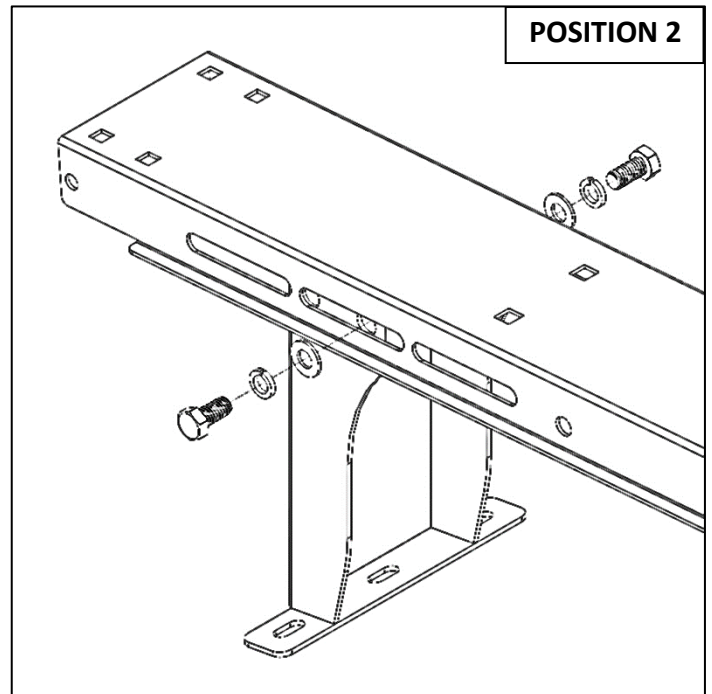
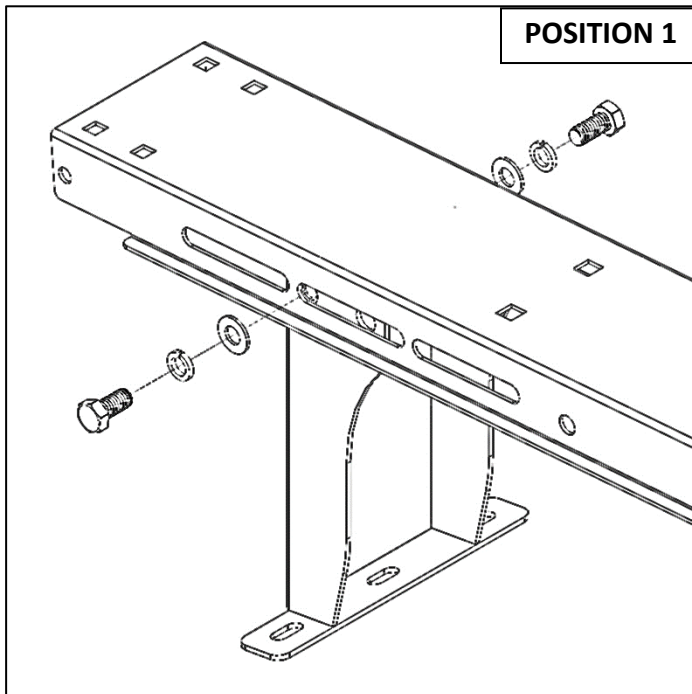
- Be sure there is proper clearance inside the service body for the flat mount backing plate.
 - Be sure there is there is no wiring below locations marked.
- Measure width between installation locations.



Step 2 – Assemble Feet

- On the cross bows, use the slots that correspond to the measured distance between the mounts.
- Using two 3/8" x 3/4" hex head bolts, four 3/8" lock washers and four 3/8" flat washers to loosely attach foot to cross member.
- DO NOT TIGHTEN at this point.

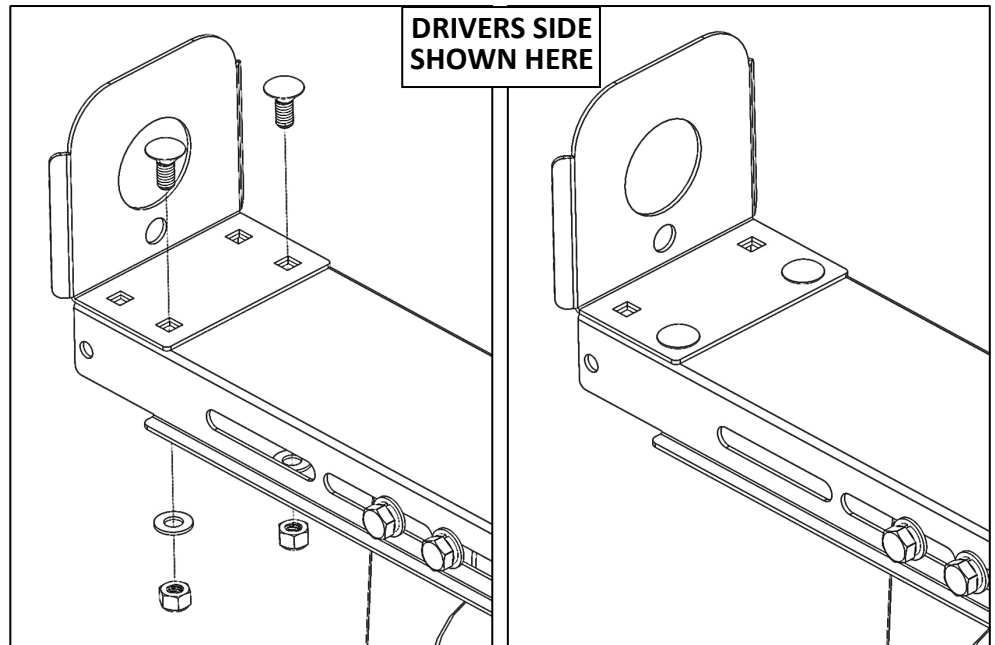
NOTE: On Passenger Side, rotate pan out of the way to access mounting slots.



Step 3 – Install Pan Hooks

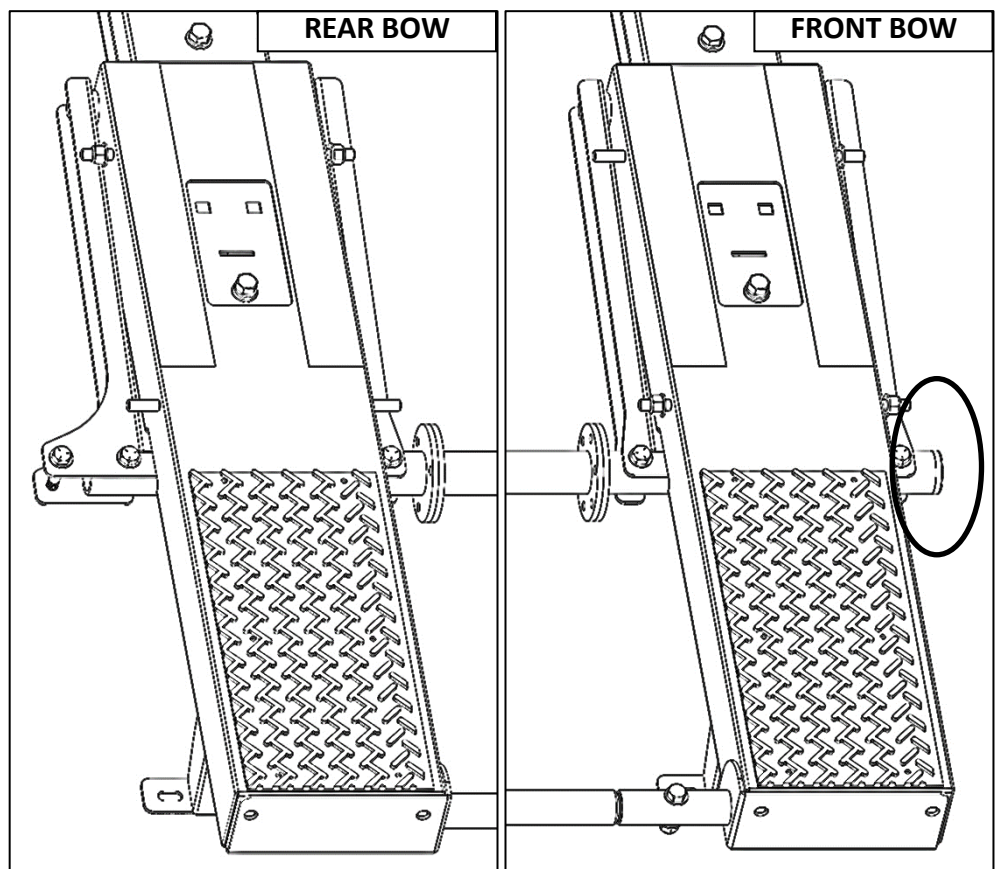
NOTE: Skip the following pan hook installation instructions if adding 40963 or 4081L to the drivers side.

- Using two 5/16" carriage bolts, two 5/16" washers and two 5/16" lock nuts, bolt the pan hooks to the exposed end of the bow.
- Repeat for second bow.
- TIGHTEN.



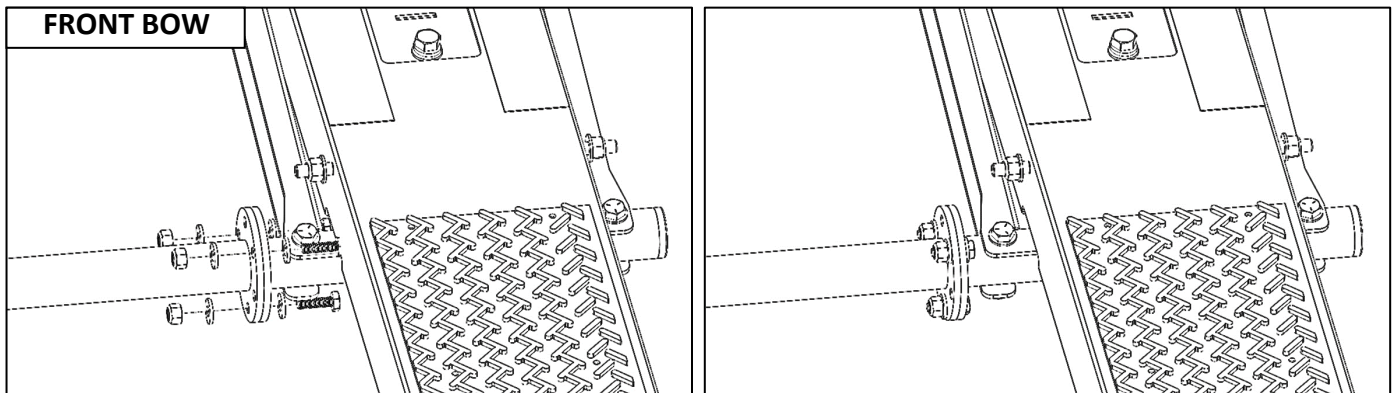
Step 4 – Identify Front and Rear Bows

- The front bow will have a cap in one end of the torsion mechanism.

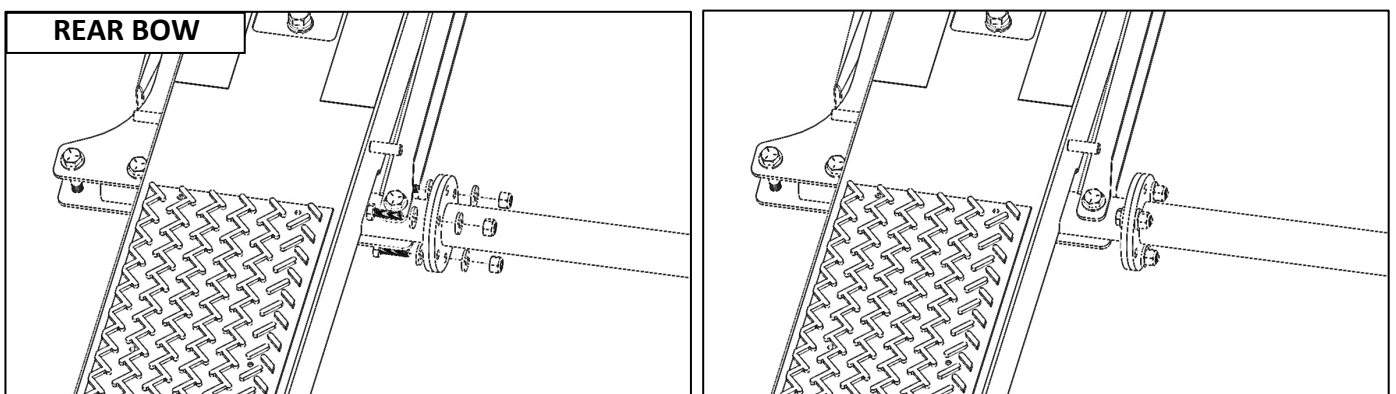


Step 5 – Install Torsion Bar

- Make sure the pan on each bow is flat against the bow.
- Using three 1/4" x 7/8" hex head screws, six 1/4" washers, and three 1/4" lock nuts, attach one end of the torsion tube to the front bow as shown below.

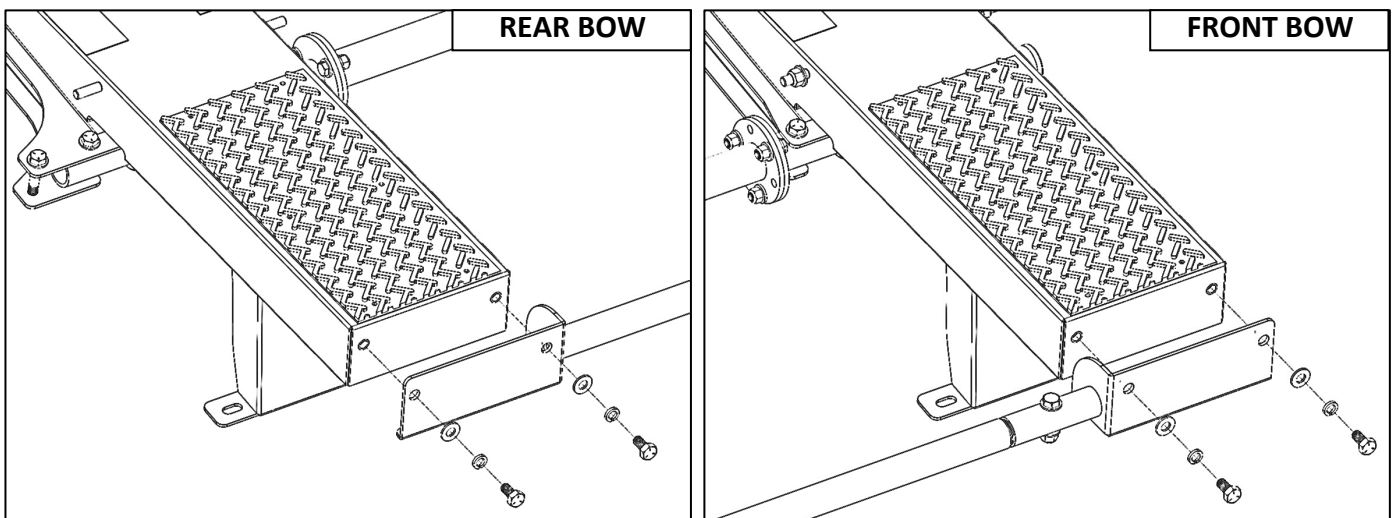


- Using three more 1/4" x 7/8" hex head screws, 1/4" washers, and 1/4" lock nuts, attach the opposite end of the torsion tube to the rear bow as shown below.



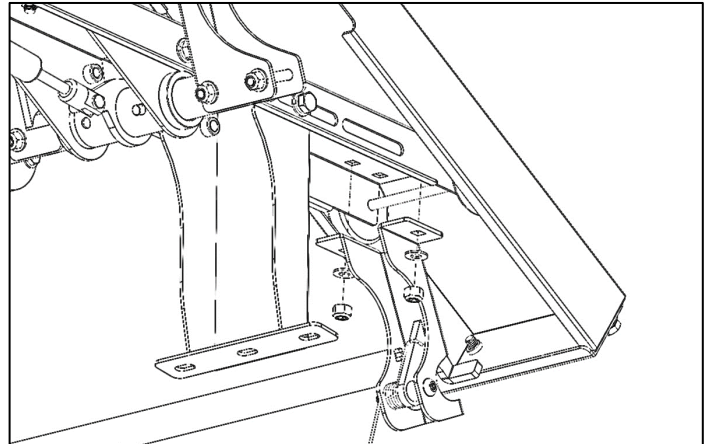
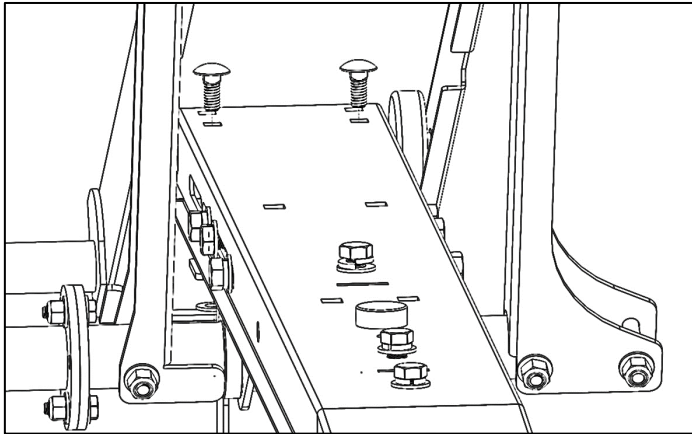
Step 6 – Install Ladder Pan Stiffener

- Using two 5/16" x 5/8" hex head bolts, 5/16" lock washers, and 5/16" washers, attach each end of the ladder pan stiffener to the pans.



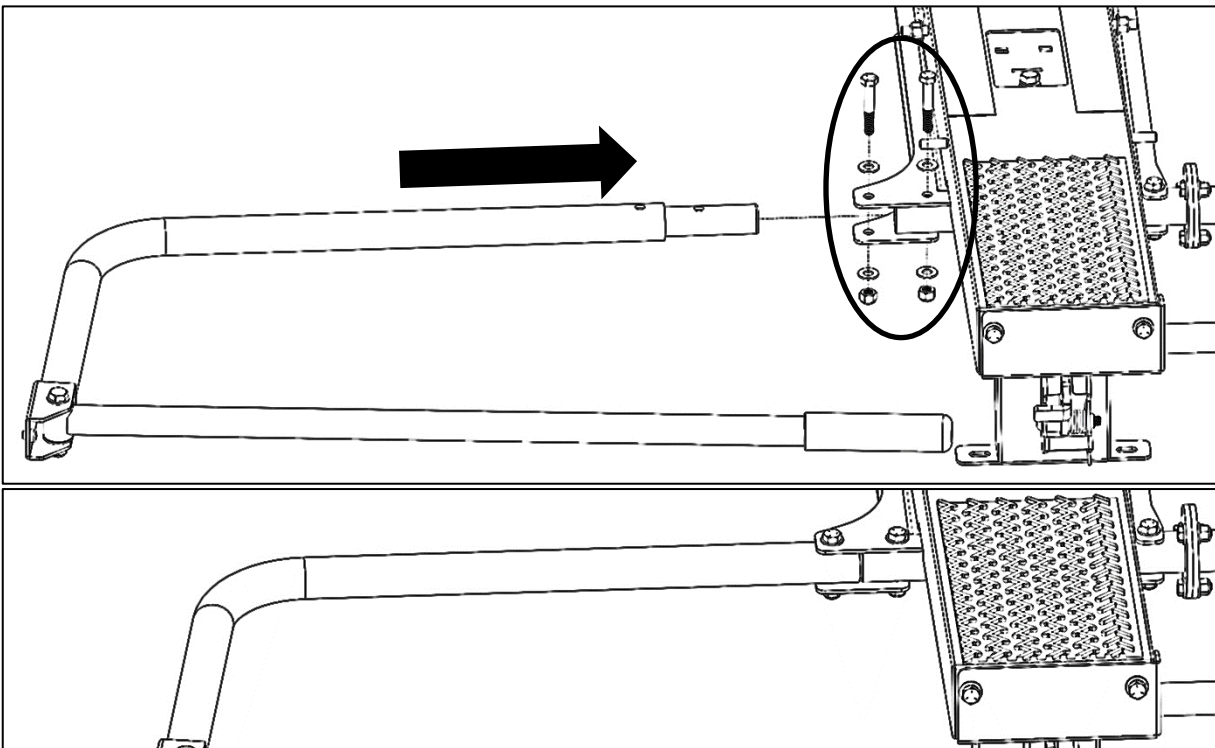
Step 7 – Install Latch

- Move rear pan assembly out of the way to expose the end of the cross member.
- Bolt through the inside most set of square holes as shown.
- Bolt latch assembly to end of cross member using two 5/16" x 3/4" carriage bolts, 5/16" flat washers and 5/16" lock nuts.
- TIGHTEN bolts and nuts.



Step 8 – Install Handle

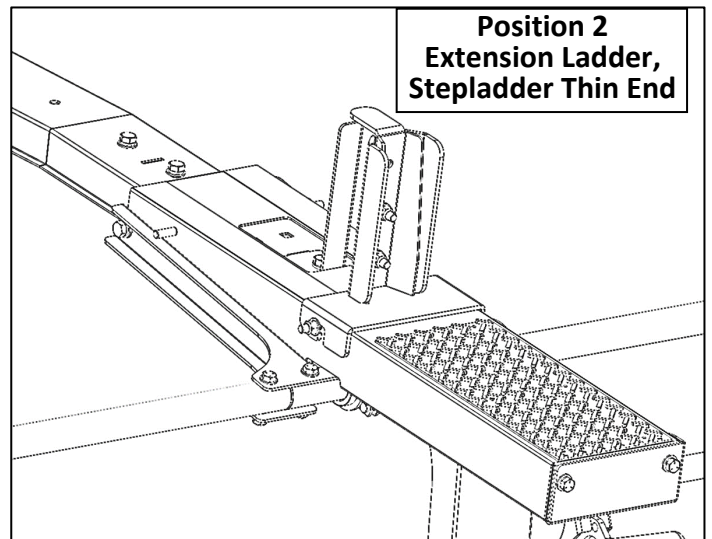
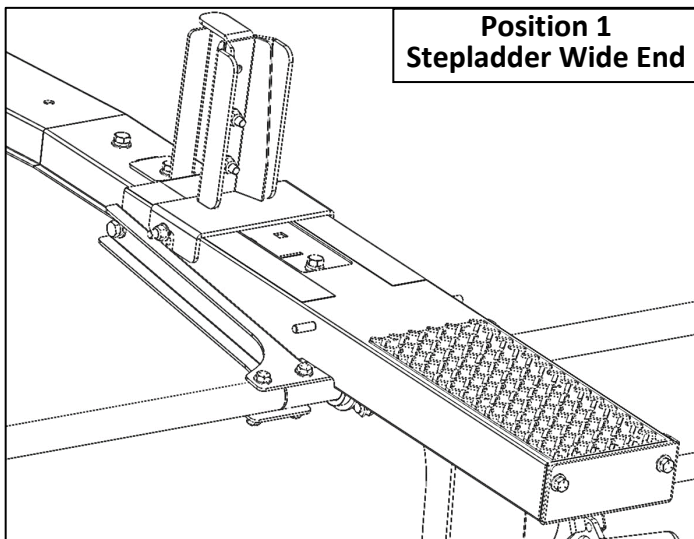
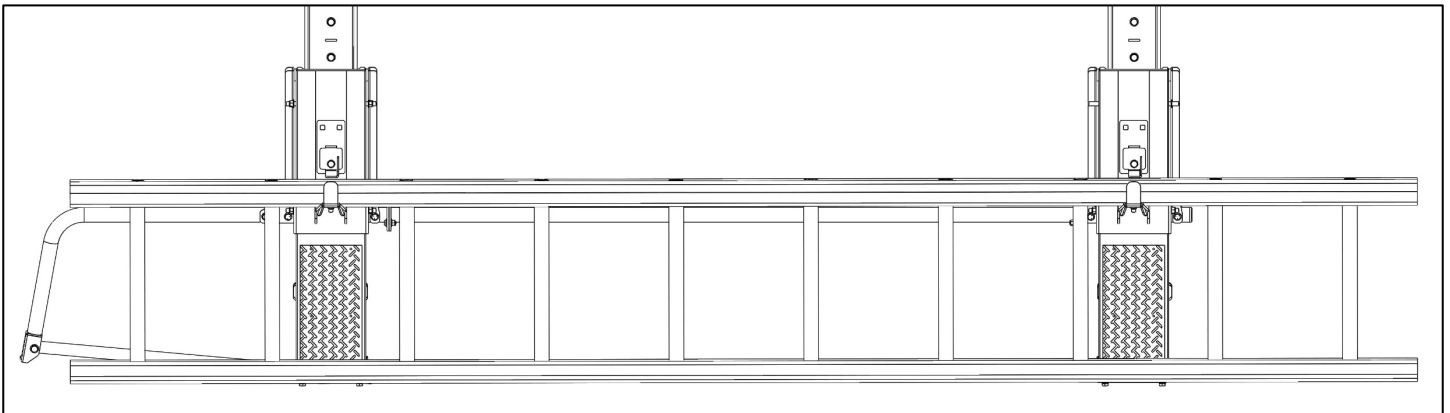
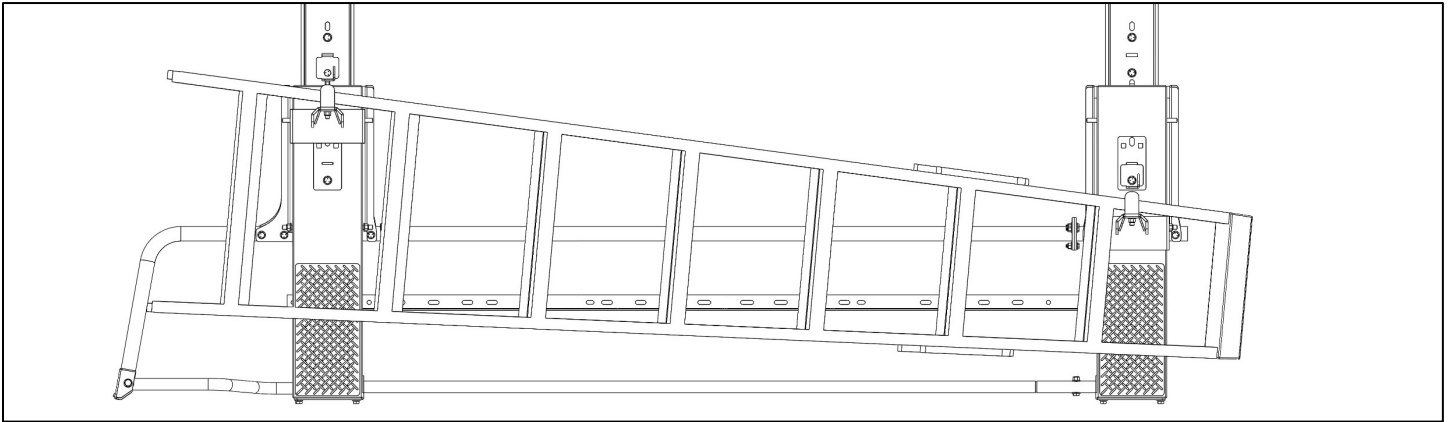
- Remove the two 5/16" x 2" flanged head screw, four 5/16" washers, and two 5/16" lock nuts from front bow as circled below.
- Insert swaged handle into the torsion mechanism so the holes in the handle tube line up with the holes in the torsion mechanism on the front ladder pan.
- Fasten swaged handle tube to torsion mechanism using the previously removed 5/16" x 2" flanged head screws, 5/16" washers, and 5/16" lock nuts.
- TIGHTEN bolts and nuts.



Step 9 – Determine Ladder Stop Locations

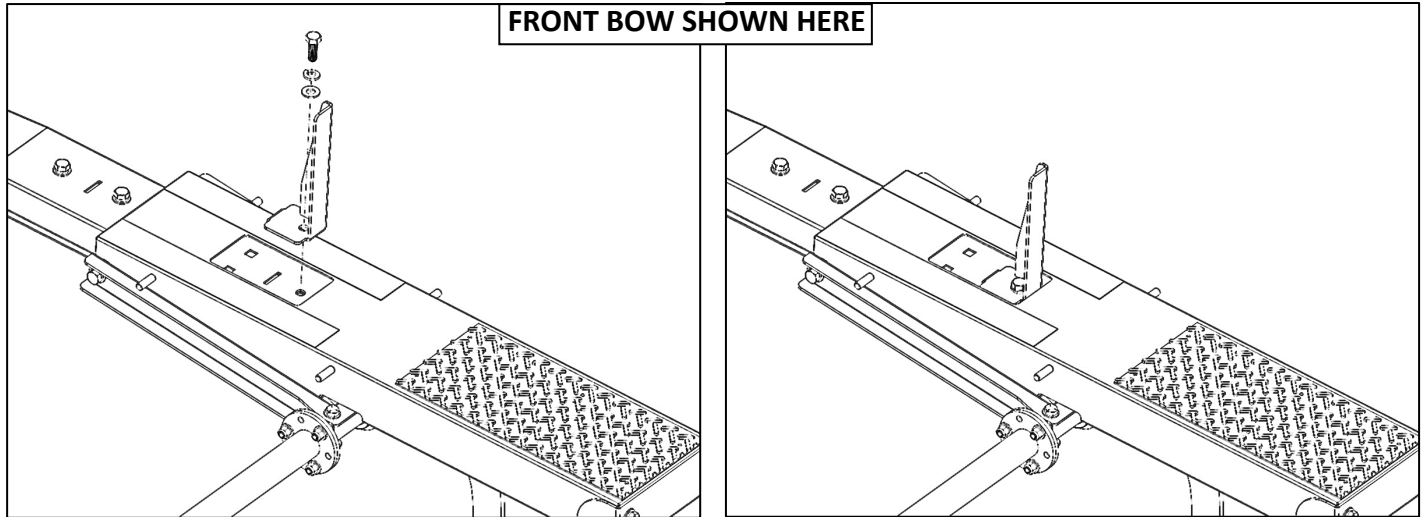
NOTE: On each bow, there are two positions available for mounting the ladder stops and ladder hooks based on the size and type of ladder. Ladder stops may be installed either further inboard or further outboard, depending on the ladder to be used. It is best to determine the size and type of ladder prior to installing the ladder stops and ladder hooks. The following are examples of a typical 8 foot stepladder and 10 foot extension ladder mounted on the drop down ladder rack.

The following are the two positions available on each bow.



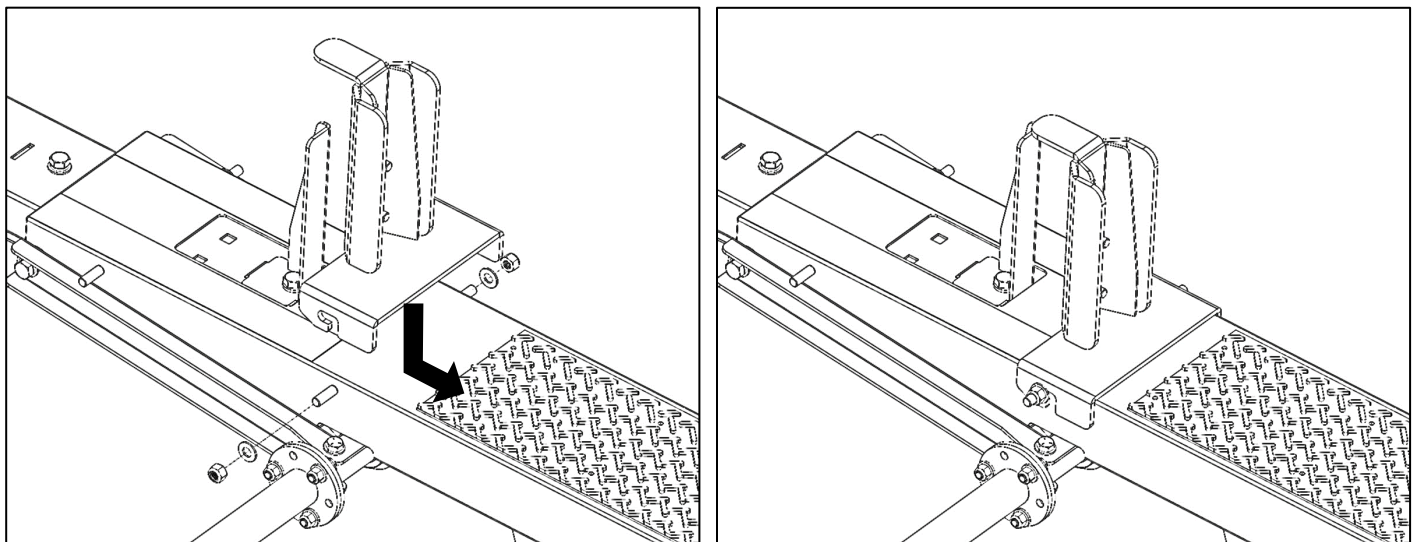
Step 10 – Install Ladder Stops

- Using the hardware in the front bow, bolt ladder stop in orientation shown below. Be sure to place the tab on the ladder stop into the slot on the bow.
- Repeat for rear bow.
- TIGHTEN hardware.



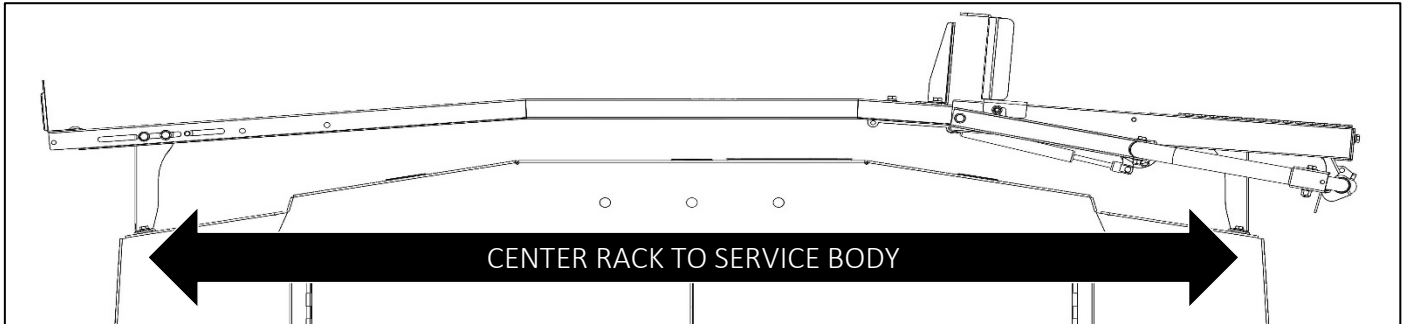
Step 11 – Install Ladder Hooks

- Using the installed studs and lock nuts on both bows, loosen nuts and slide ladder hook assembly into place.
- TIGHTEN lock nuts.



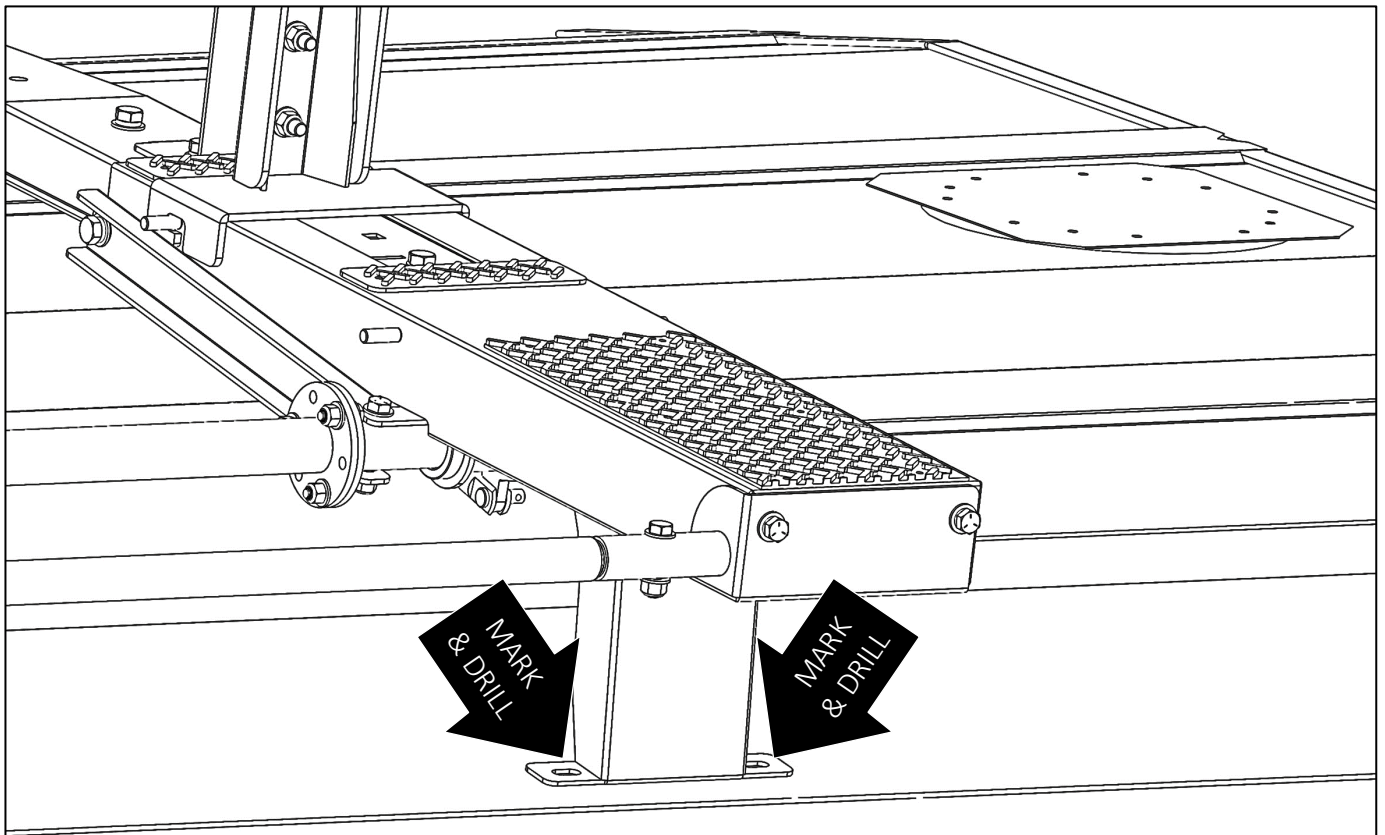
Step 12 – Mount Rack

- Set rack on top of service body and center rack side-to-side and square to the vehicle.

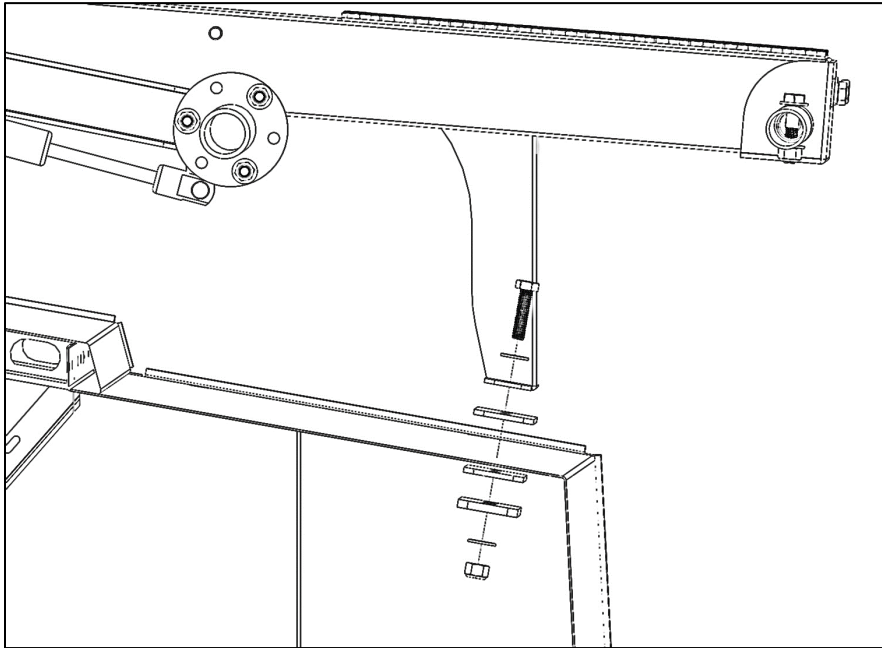


Make sure the following clearances and warnings are met.

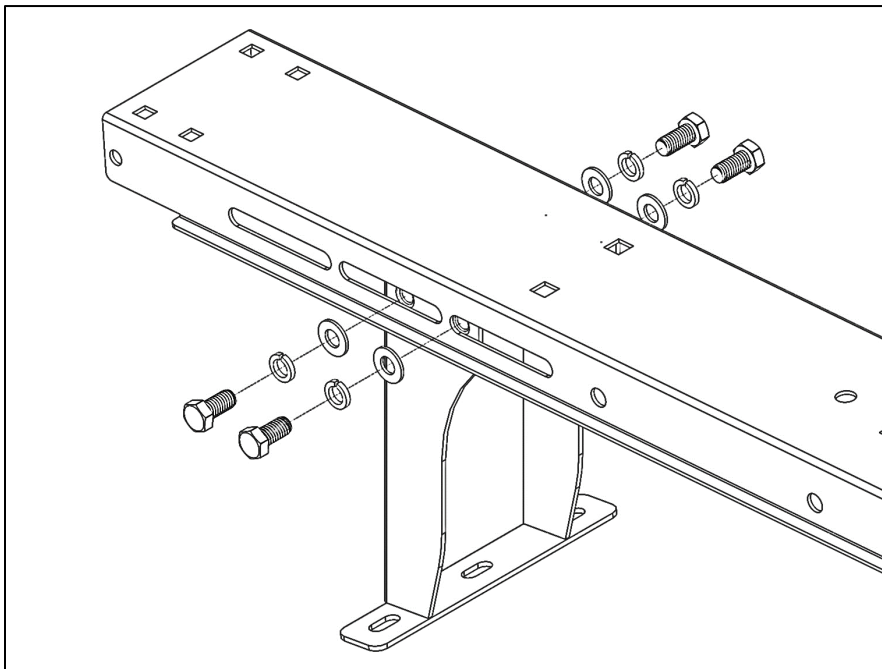
- Be sure front bow is towards front of the vehicle and handle is towards rear of vehicle.
 - Be sure there is adequate clearance behind service body for the handle to properly actuate the drop down mechanism.
 - Be sure there is proper clearance inside the service body for installation of the flat mount backing plates.
 - Be sure there is there is no wiring below installation locations that may interfere with drilling and installation.
-
- Mark onto the top of the service body the locations of holes in bottom of mounting feet.
 - Remove rack from service body.
 - Using a 21/64" or Q drill bit, drill holes in the top of the service body where marked.



- Set rack on top of service body and align rack to holes drilled.
- Using two of the three-hole rubber pads, one 5/16" x 1-1/4" hex bolt, two 5/16" flat washers and two 5/16" lock nut, secure each foot to the service body.
- Snugly tighten, but allow movement.



- Verify rack works appropriately.
- Additional 5/16" hardware has been provided for secondary fastening of feet to bows. If self-clinching nuts are accessible after installation, it is recommended to apply the additional hardware.



GO BACK AND ENSURE ALL HARDWARE IS TIGHTENED.

ASSEMBLY IS COMPLETE.