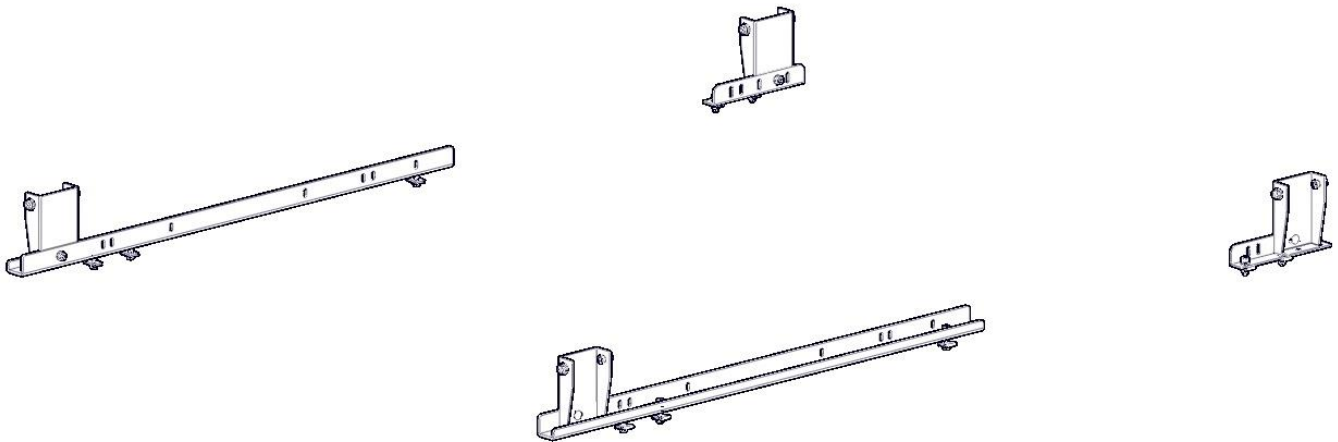


Holman

Installation Guide

409ND



Holman

Rancho Cordova, CA 95742

800-343-7486

InstallationSupport@Holman.com

PLEASE READ ALL INSTRUCTIONS AND WARNINGS PRIOR TO ASSEMBLING, INSTALLING, AND USING THIS PRODUCT.

Warning



Always check for wires, fuel tanks and lines, brake lines and other important vehicle functionality items prior to drilling and installing all products.

Tools Needed

1/2" Socket and Wrench	9/16" Socket and Wrench
5mm Allen Hex	6mm Allen Hex Key
Tape Measure	

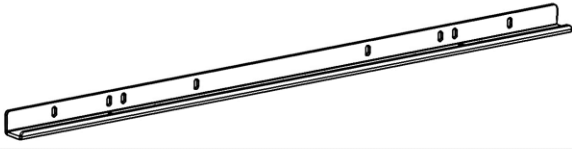
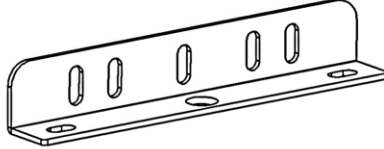
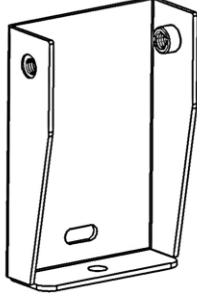
Table of Contents

Before You Begin.....	1
Parts	2
Hardware.....	3
Step 1 – Rear Mount Location	4
Step 2 – Attach Rear Rail	5
Step 3 – Front Mount Location.....	6
Step 4 – Attach Front Rail.....	7
Step 5 - Installing Feet.....	8
Step 6 – Install Rack.....	9

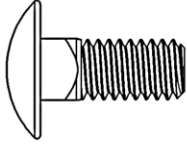
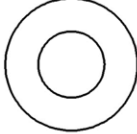


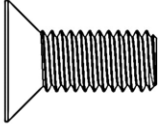
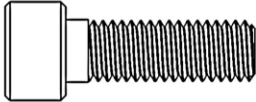
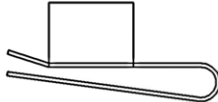
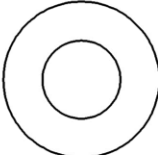
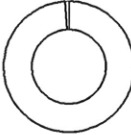
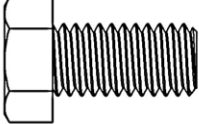
Before You Begin

- Read all instructions before installing any Holman product.
- **Have ladder rack already assembled and ready to be installed.**

Parts

ITEM NO.	ITEM	PART NUMBER	DESCRIPTION	QTY.
1		4A901-10-001	FRONT RAIL	2
2		4A903-10-001-R2	SHORT RAIL	2
3		13-03105	TALL FOOT ASSEMBLY	4
4		18-409ND	HARDWARE KIT	1

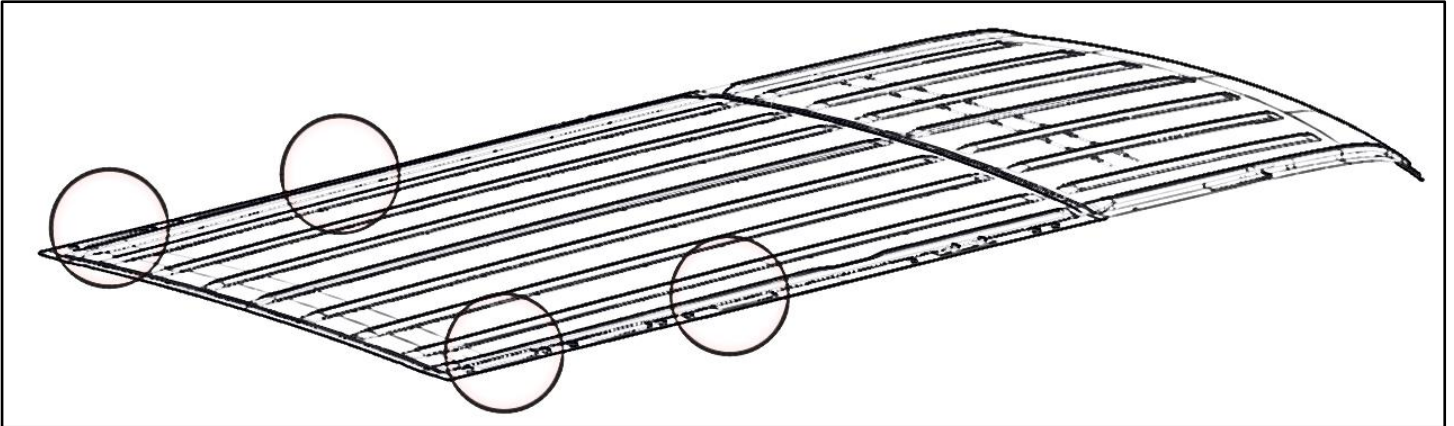
Hardware

ITEM	HARDWARE TO SCALE	PART NUMBER	DESCRIPTION	QTY.
1		21810	5/16"-18 X 3/4" CARRIAGE BOLT	4
2		33080	5/16" WASHER	10
3		1171067	5/16" SPLIT LOCK WASHER	6
4		0169777	5/16"-18 LOCK NUT	4
5			M8X20MM FHCS	4
6		11103244	M8-1.25 X 25MM SHOULDER HEAD CAP SCREW	6
7			M8 U-NUT	10
8		1133082	3/8" WASHER	8
9		1133622	3/8" LOCK WASHER	8
10		11241196	3/8"-16 X 3/4" HEX HEAD BOLT	8

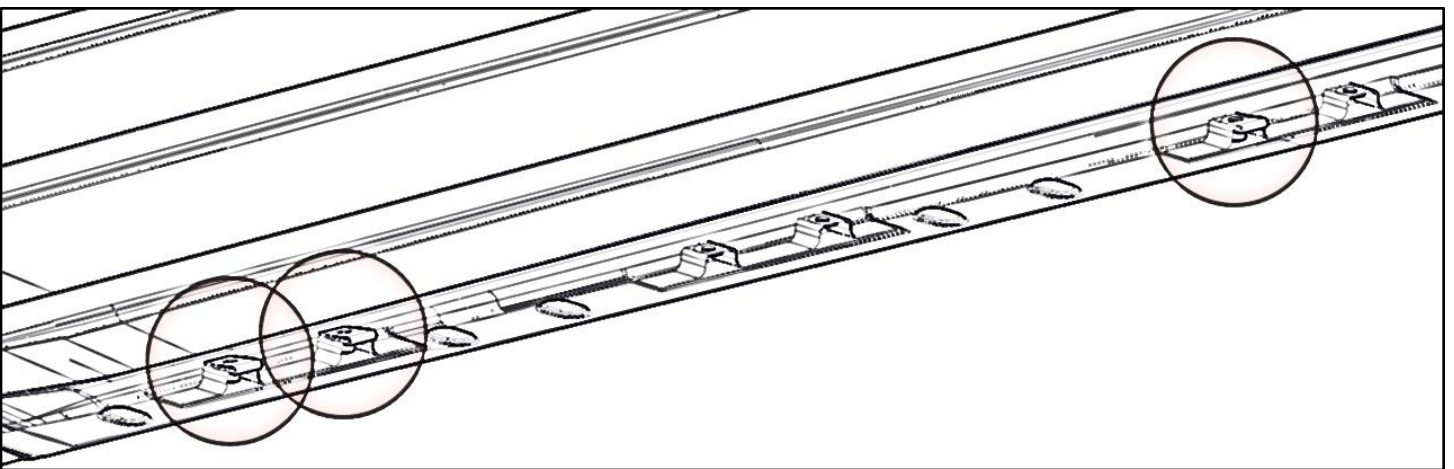
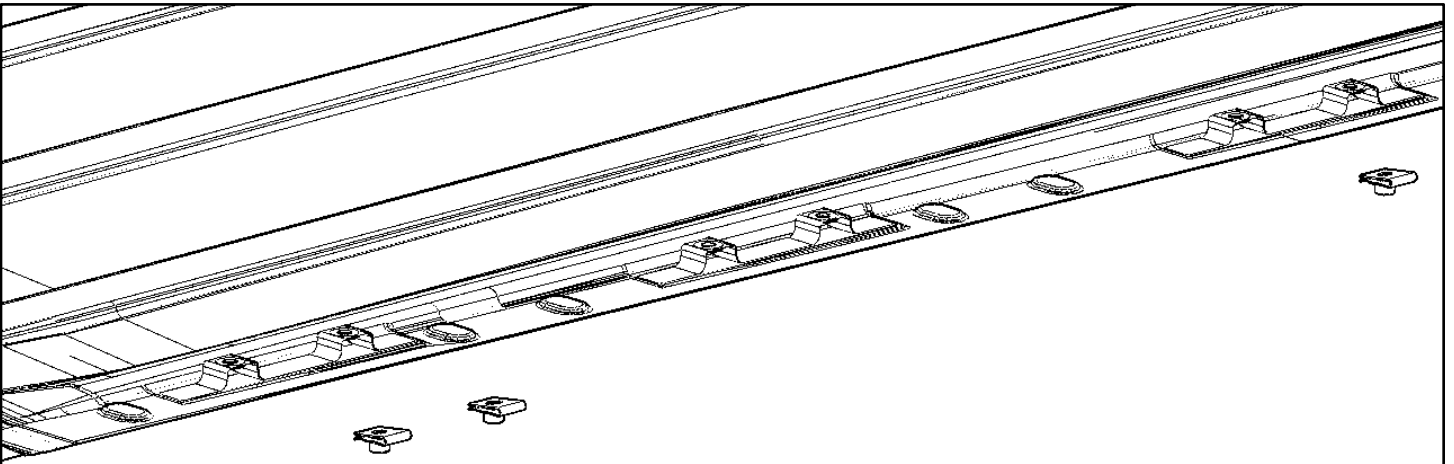
DO NOT EXCEED MANUFACTURERS WEIGHT CAPACITY FOR ROOF!

Step 1 – Rear Mount Location

- Locate rear mounting locations as shown below.



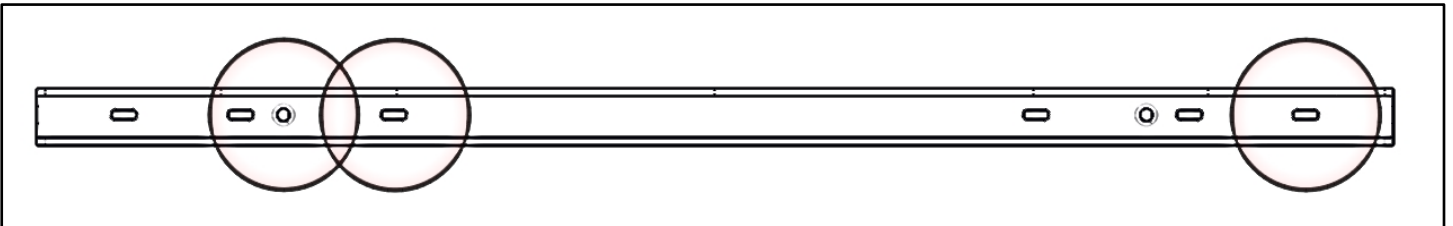
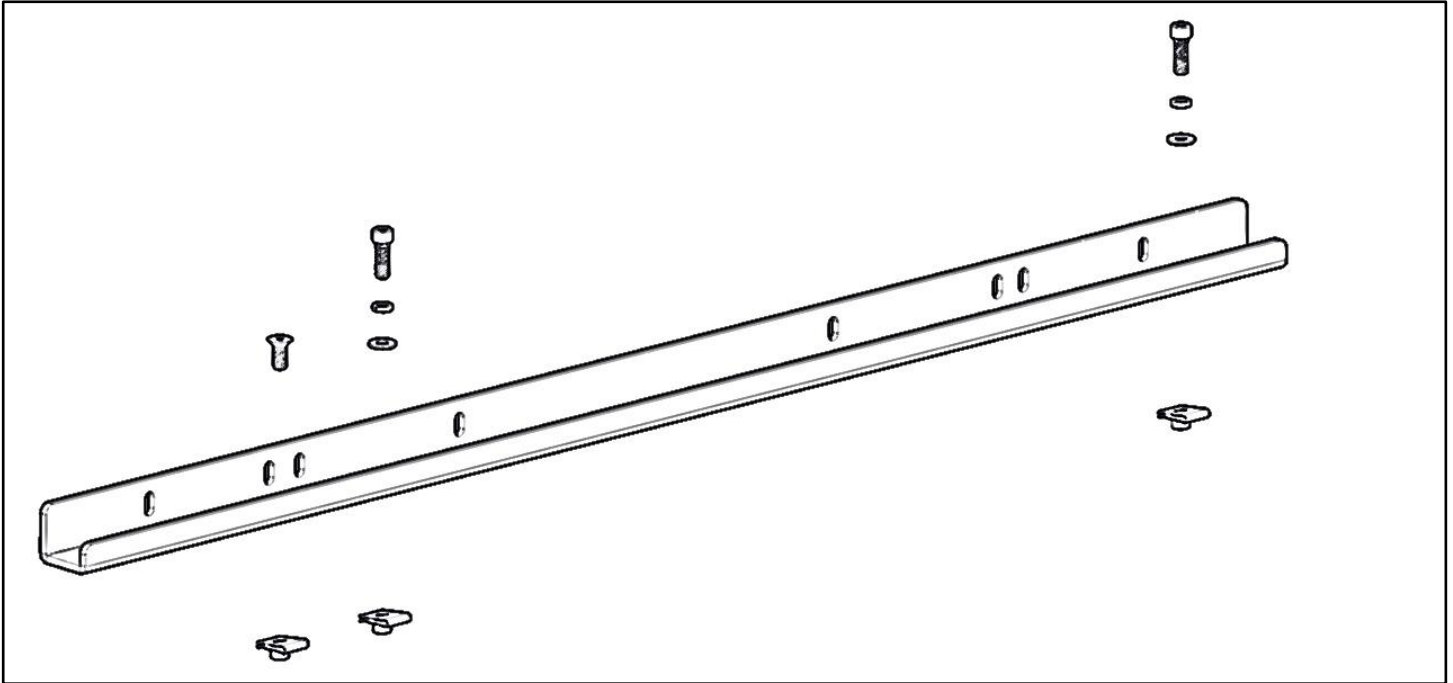
- Slide U-nut over the mounts in the locations shown. In the forward most of the two locations, only install one U-nut.



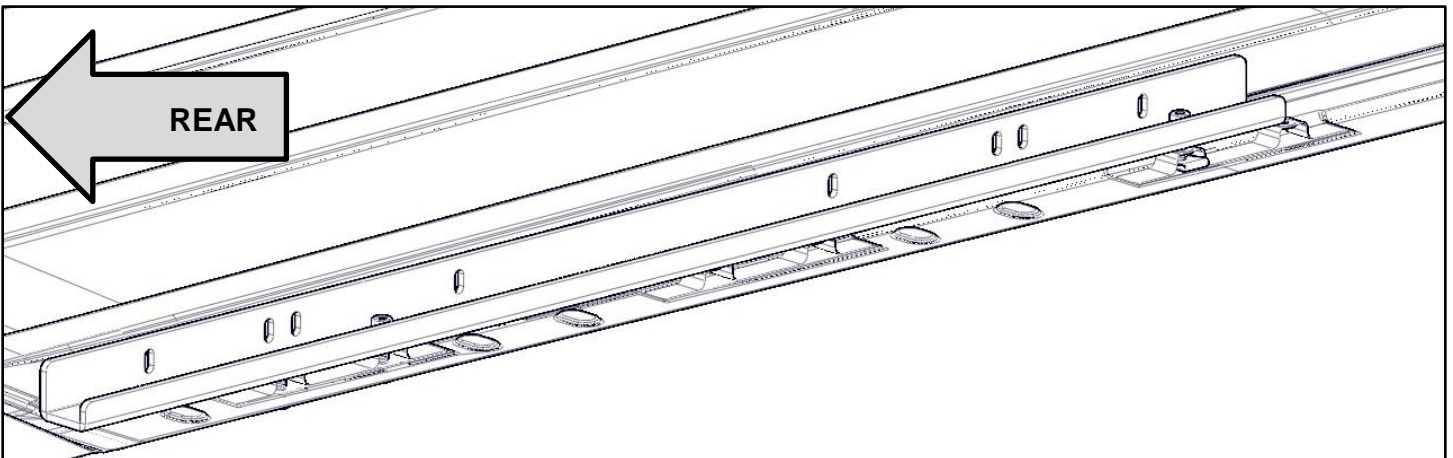
- Repeat on opposite side of van

Step 2 – Attach Rear Rail

- Bolt the long rail to the installed U-nuts. The tall flange goes to the center of the van.
- Bolt through the first slot at the front of the rail using a M8 x 25mm socket head cap screw, a 5/16" lock washer and a 5/16" flat washer.
- At the corresponding locations at the rear of the rail, install a M8 x 20mm flat head.
- At the second corresponding location, bolt through the slot using a M8 x 25mm socket head cap screw, a 5/16" lock washer and a 5/16" flat washer.
- TIGHTEN the flat head and snug tighten others.

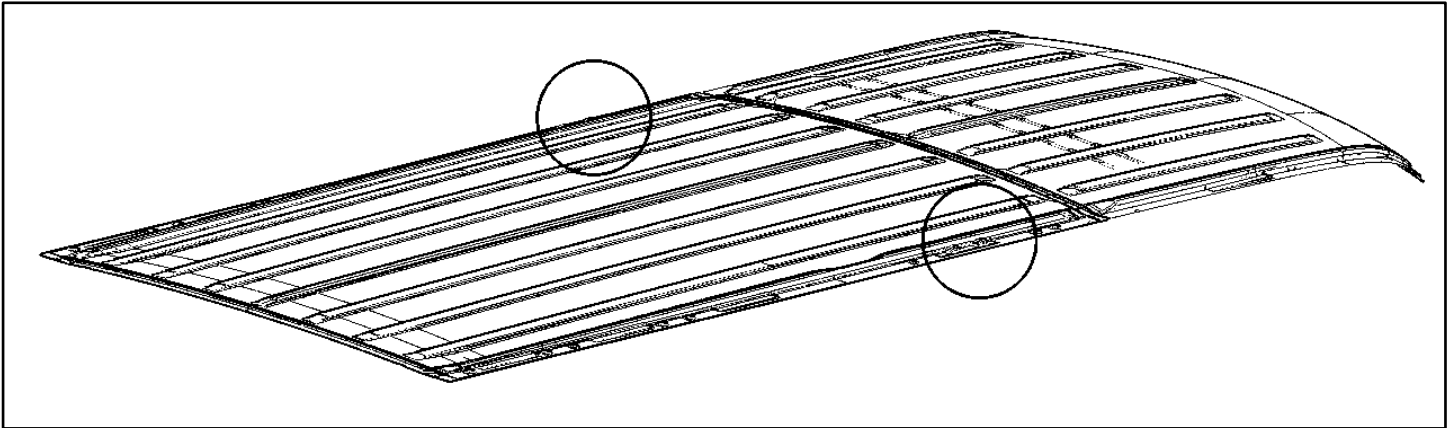


- Repeat on opposite side of van.

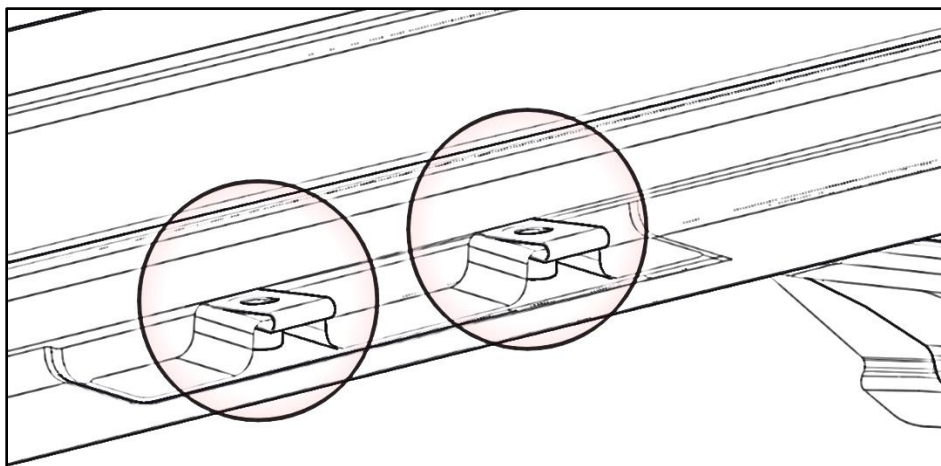
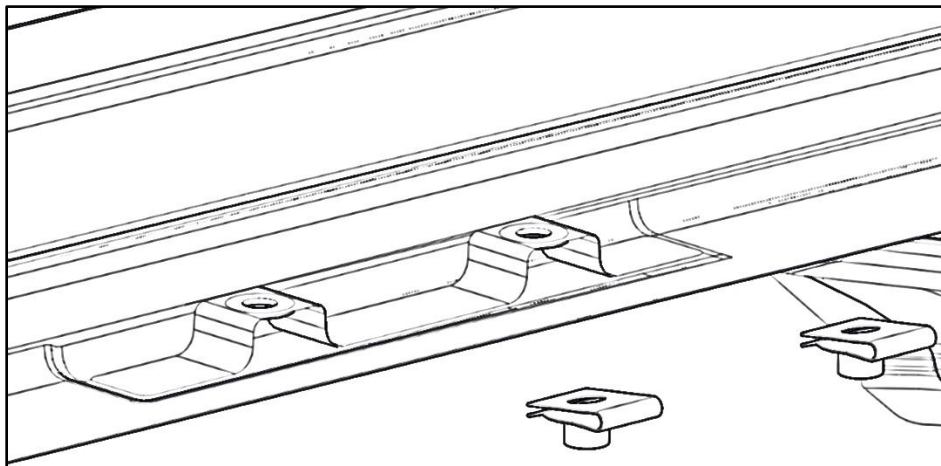


Step 3 – Front Mount Location

- Locate front mounting locations as shown below. (Low roof shown, High Roof will be in similar location)

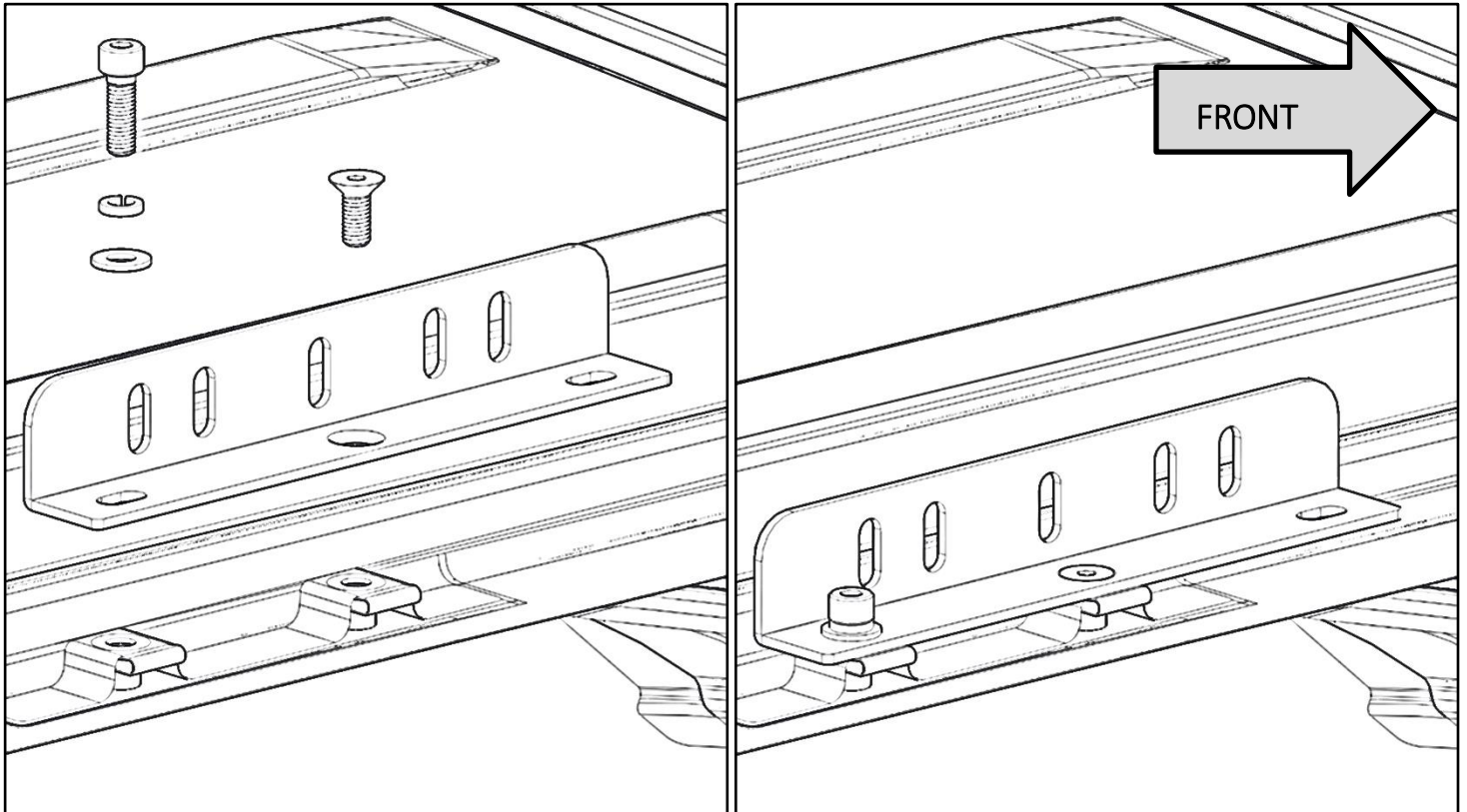


- Slide U-nut over the mounts shown below.
- Repeat on opposite side of van.



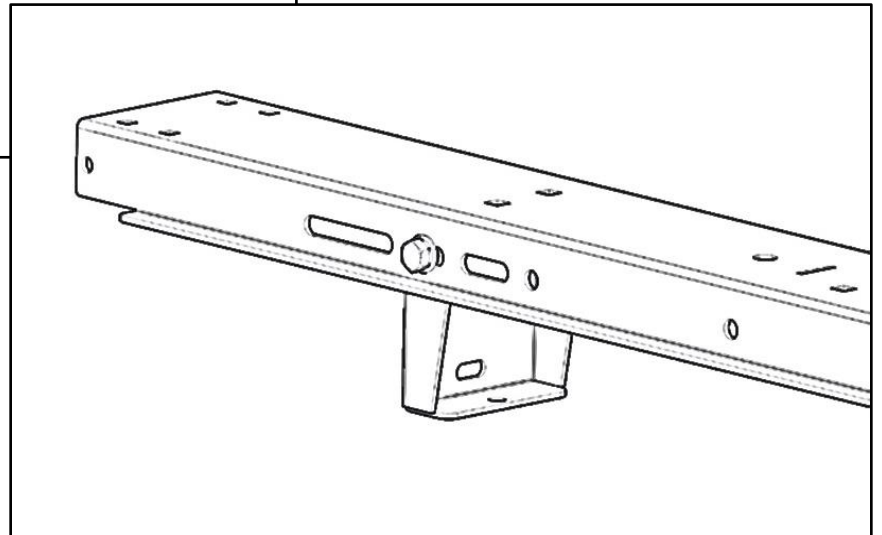
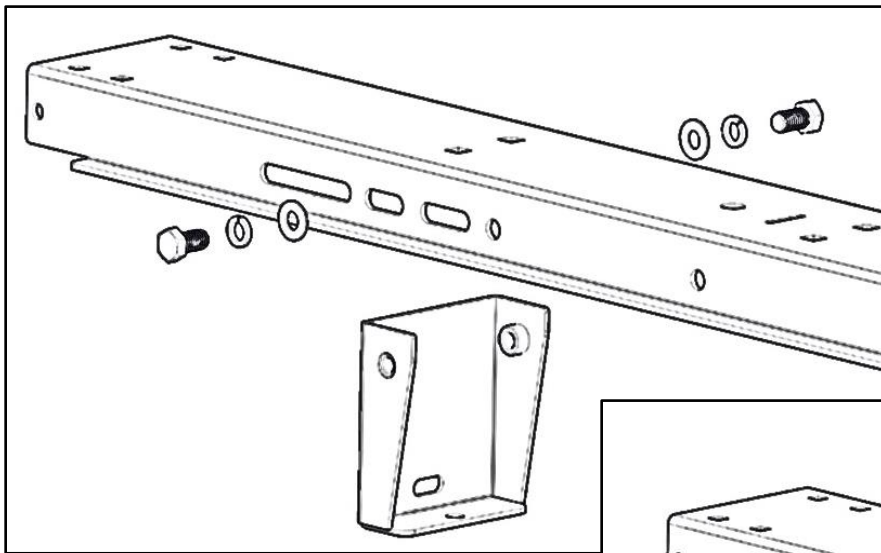
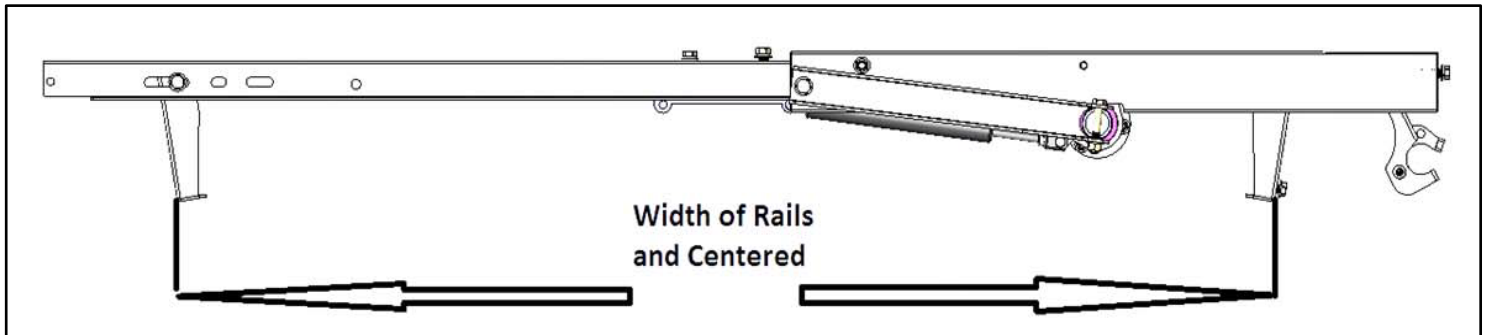
Step 4 – Attach Front Rail

- Place short rail on top of previously installed U-nuts as shown.
- Install the M8 x 20mm flat head in the counter sunk location at the center of the rail. Be sure to have the rail offset to the front.
- Bolt through the rear slot using a M8 x 25mm socket head cap screw, a 5/16" lock washer and a 5/16" flat washer.
- TIGHTEN the flat head and snug tighten the cap screw.
- Repeat on opposite side of van.



Step 5 - Installing Feet

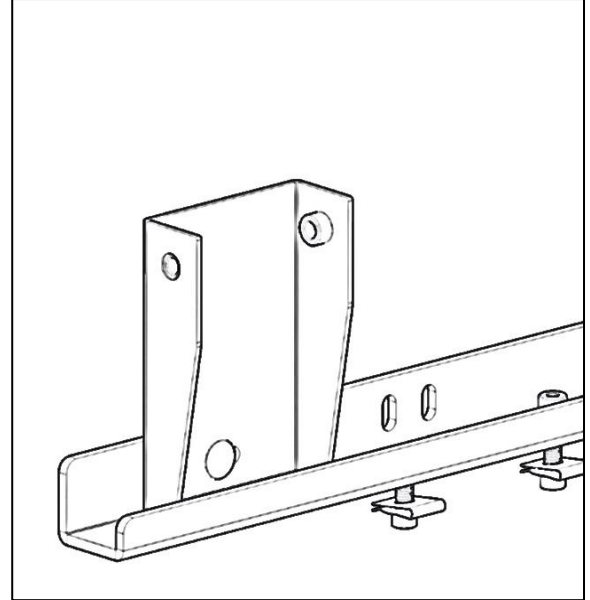
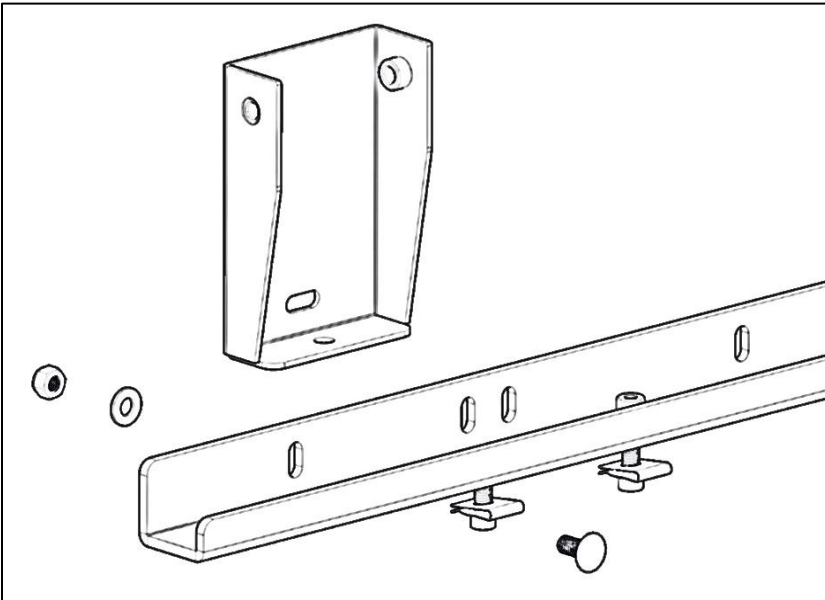
- Have rack assembled prior to mounting kit installation.
- Measure width between the mount rails on the van.
- On the cross bows, use the slots that correspond to the measured distance between rails.
- Feet can be installed as shown or reverse depending on how you mounted the rail.
- Using two 3/8" x 3/4" hex head bolt, two 3/8" lock washers and two 3/8" flat washers, bolt each foot to cross members as shown.
- Snug tighten, but allow movement. **DO NOT TIGHTEN at this point.**
- Design of feet may vary, but all foot mounting is the same.



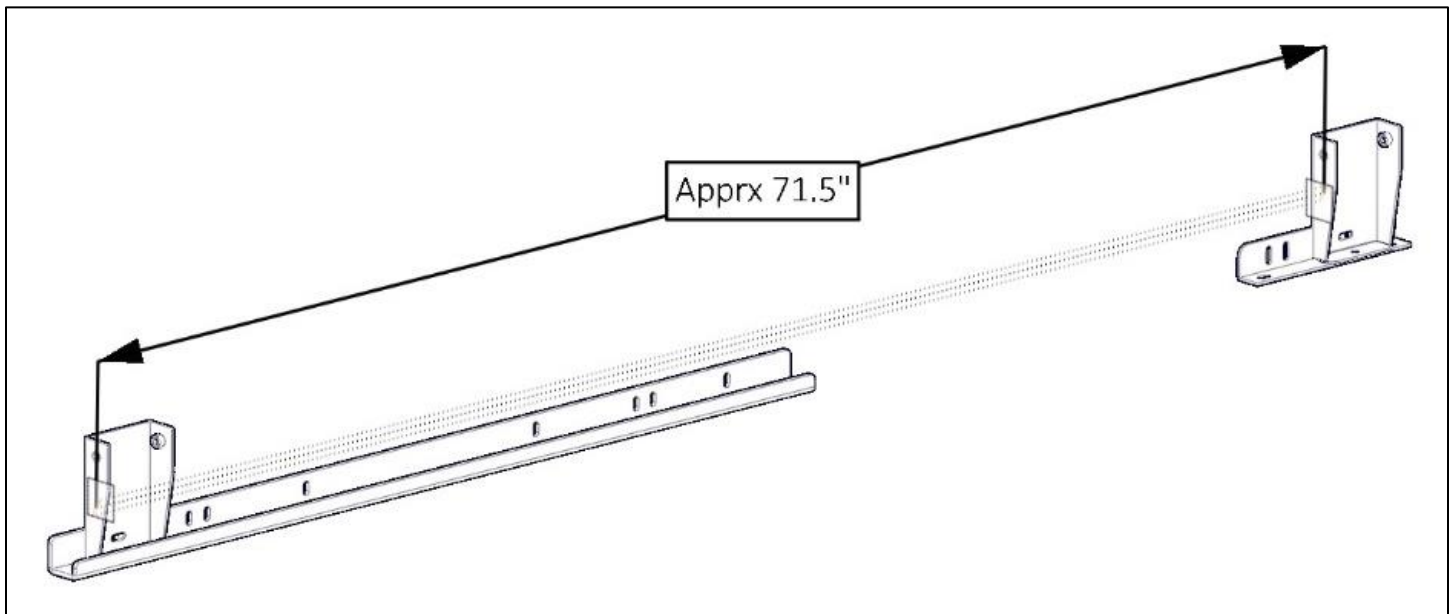
Step 6 – Install Rack

Rear

- Place rack with feet on top of previously installed rails.
- At the rear, loosely bolt through the foot and the rear-most slot in the long rail using a 5/16" carriage bolt, a 5/16" flat washer and a 5/16" lock nut in the order shown. (Rack is not shown for clarity.)
- **DO NOT TIGHTEN** at this point.

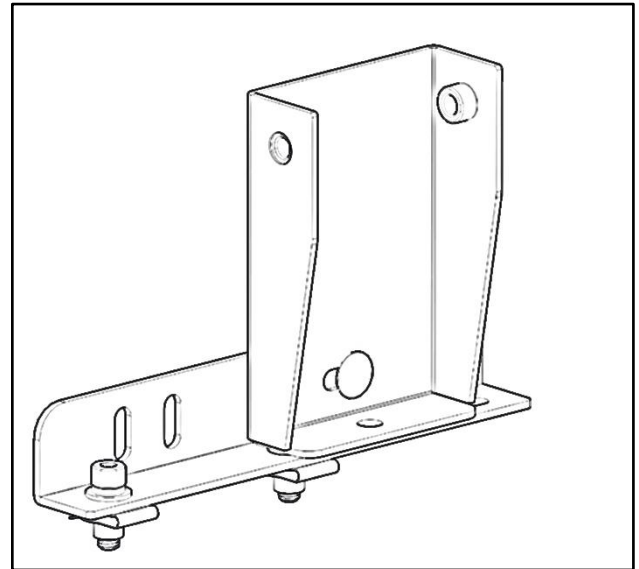
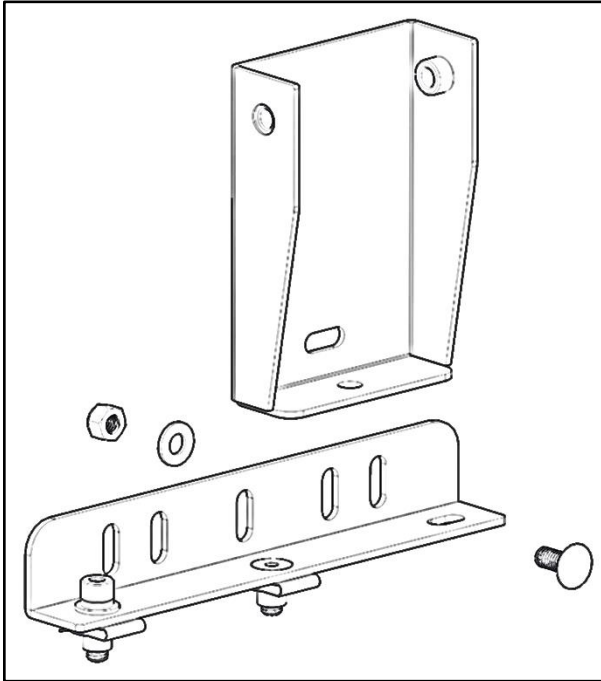


- The two feet should be approximately 71.5" apart.



Front

- At the front, using a 5/16" carriage bolt, a 5/16" flat washer and a 5/16" lock nut, bolt through the foot and the corresponding slot in the small rail in the order shown. (Rack is not shown for clarity.)
- **DO NOT TIGHTEN at this point.**
- Align and square the rack on the van.
- Tighten all hardware.



GO BACK AND TIGHTEN ALL HARDWARE.

INSTALLATION IS COMPLETE.