

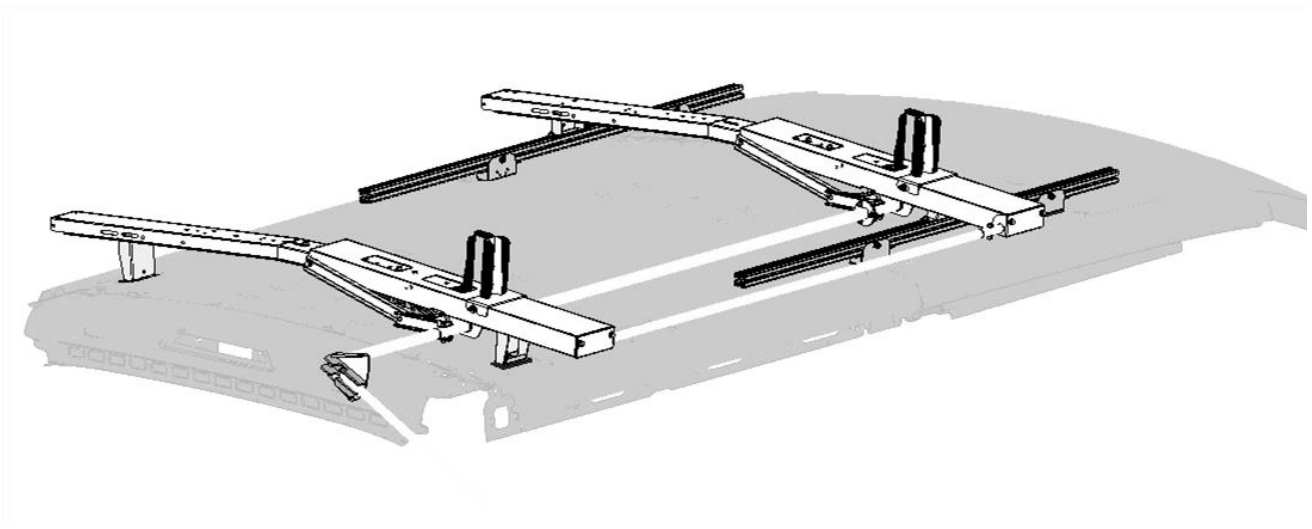
# Holman

---

## Installation Guide

### 4099H

---



---

Holman  
Rancho Cordova, CA 95742  
800-343-7486  
InstallationSupport@Holman.com

---

**\*PLEASE READ ALL INSTRUCTIONS AND WARNINGS PRIOR TO ASSEMBLING, INSTALLING, AND USING THIS PRODUCT.\***

## **Warning**



Always check for wires, fuel tanks and lines, brake lines and other important vehicle functionality items prior to drilling and installing any product.

## **Tools Needed**

1/2" Wrench and Socket	7/16" Wrench and Socket
9/16" Wrench and Socket	Tape Measure
Phillips Drive	

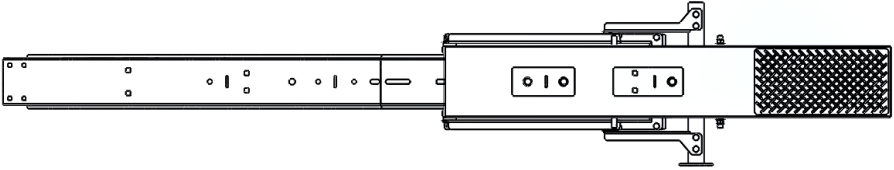
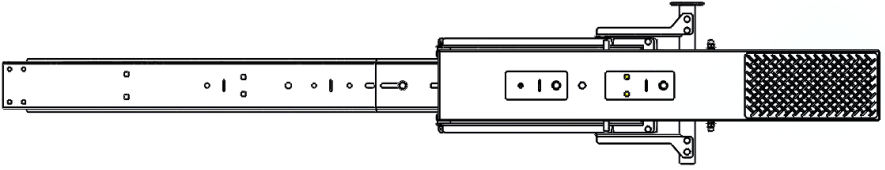
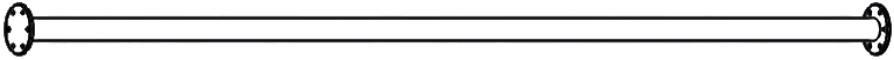

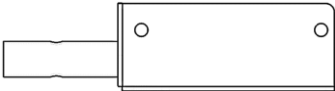


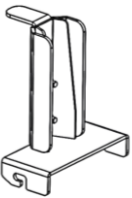

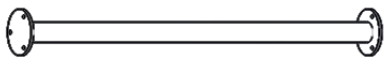
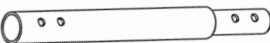

## **Table of Contents**

Parts List .....	2
Hardware List .....	3
Step 1 – Install Actuator .....	4
Step 2 – Install Front and Rear Bow Assembly .....	5
Step 3 – Torque Tube .....	6
Step 4 – Ladder Pan Support .....	8
Step 5 – Ladder Stops and Hooks .....	9
Step 6 – Install Rack .....	10
Step 7 – Install handle bar clip .....	11



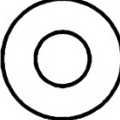

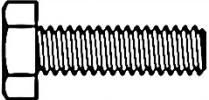
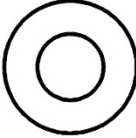
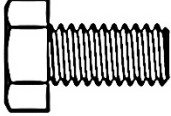
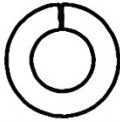

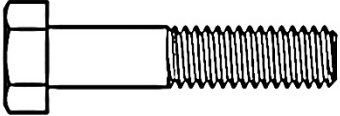
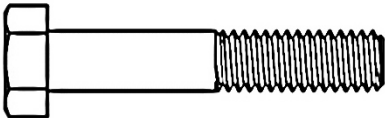
## **Before You Begin**

- Read all instructions prior to installing any product.

## Parts

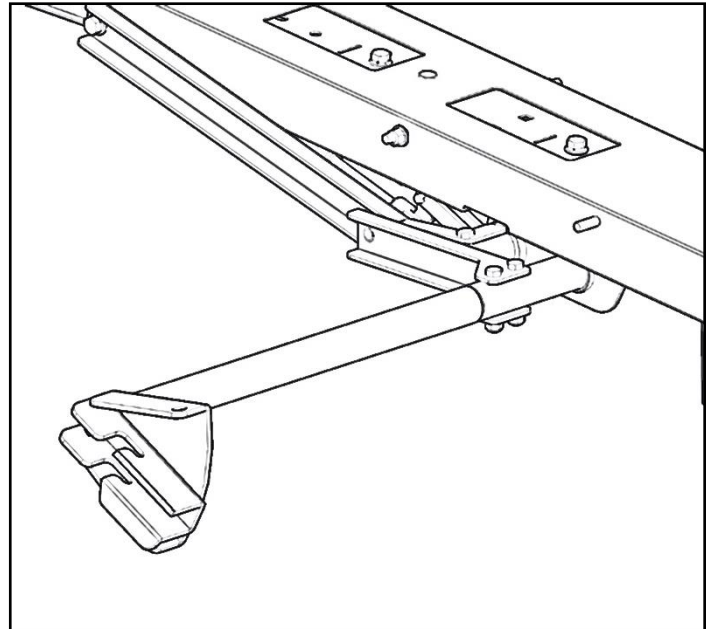
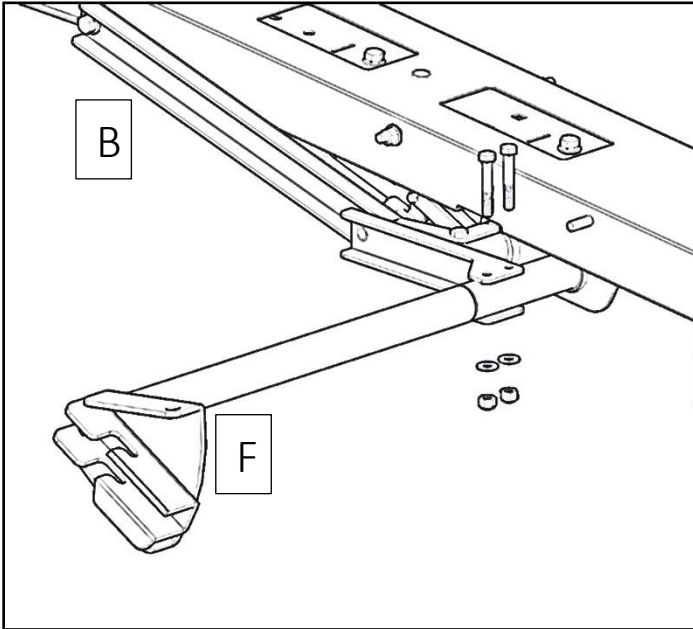
4099H PARTS		DESCRIPTION	QTY
A		Front Bow Assembly	1
B		Rear Bow Assembly	1
C		Torque Tube	1
D		Support Tube	1
E		Support Tube End	1
F		Actuator	1
G		Removable Handle	1
H		Ladder Hook	2
I		Ladder Stop	2
J		Torque Tube Extender	1
K		Handle Extender	
L		Support Tube Extender	1
		HARDWARE	1

## Hardware

ITEM NO.	TO SCALE	DESCRIPTION	QTY.
1		10-24 x .625 PH Phillips Drive	4
2		10-24 Nyloc Nut	4
3		.25 flat washer	18
4		.25-20 NYLOC NUT	9
5		.25-20 x .875 HH	9
6		.312 Flat Washer	10
7		.312-18 x .625 HH	4
8		.312 Split Lock Washer	4
9		.312-18 Nyloc Nut	3
10		.312-18 x 1.50 HH	1
11		.312-18 x 1.75 HH	2
12		Handle Holder Clip	2
13		Sealant	1

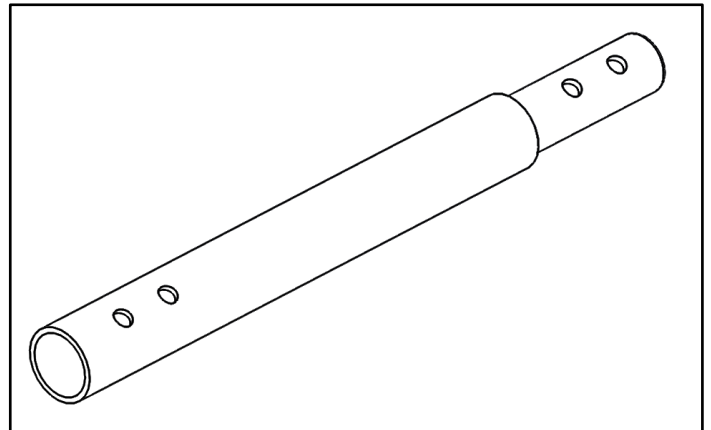
## Step 1 – Install Actuator

- This can be done on or off the van.
- Remove existing hardware from the Rear Bow Assy (B) as shown.
- Keep hardware. It will be re-used later.
- Install the Actuator (F) with the “triangle” opening towards the end of the bow.
- **Be sure to put sealant into tube swedge and around the bolt holes.**



- If installing on a High Roof Extended Transit, the Handle Extension (L) will be used.

This extension goes between the rear bow (B) and the actuator (F).

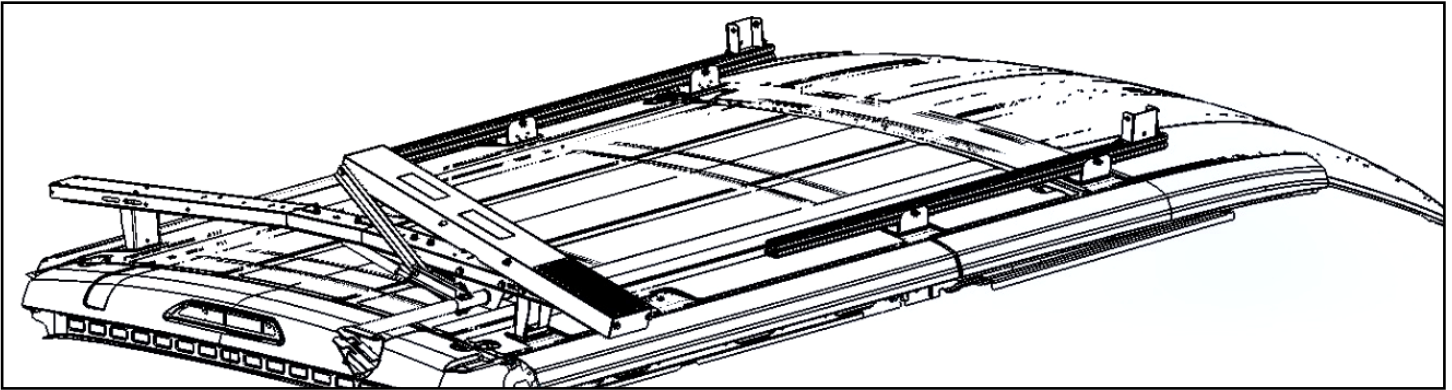


## Step 2 – Install Front and Rear Bow

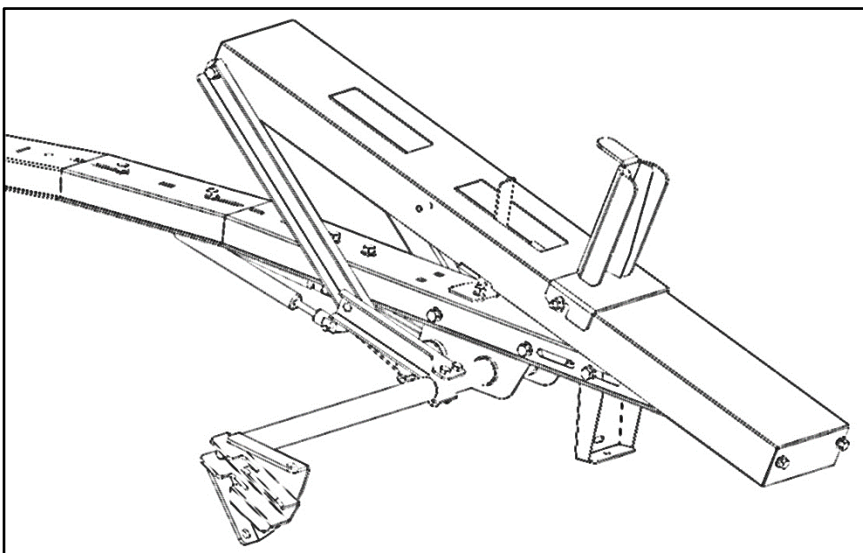
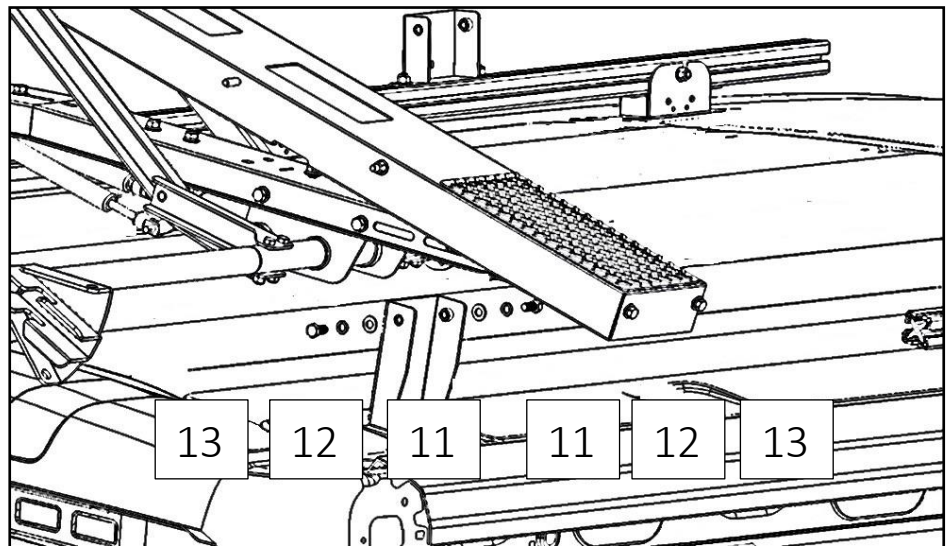
\*If you have a lift you can skip this step and continue building the rack on a bench.\*

### A. Rear Bow

- Set Rear Bow Assy (B) on rear mounting feet as shown.

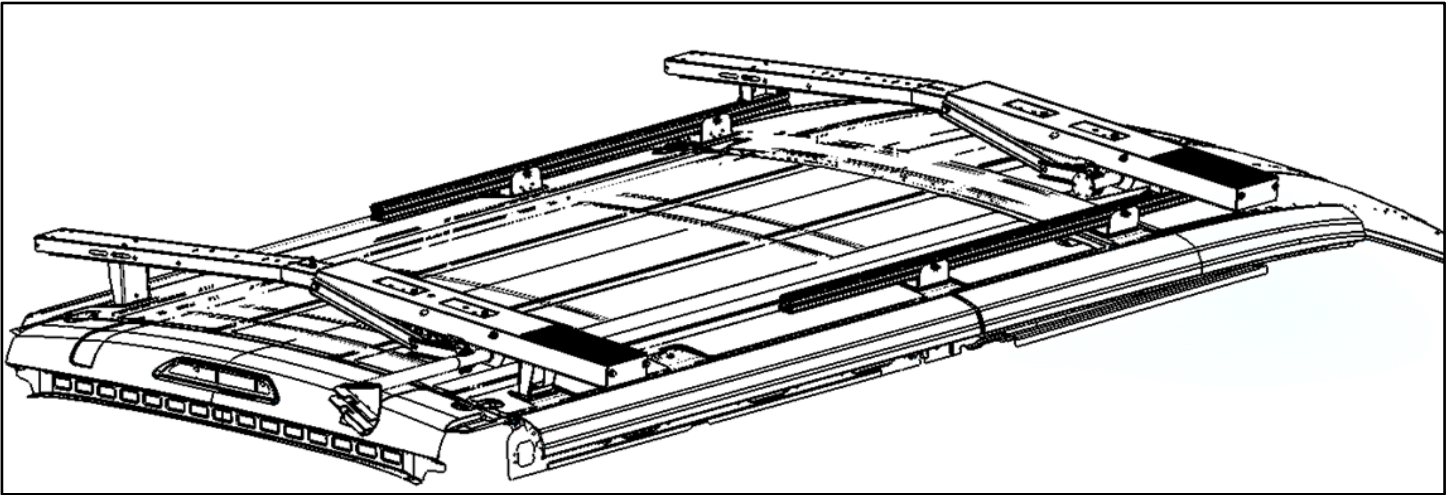


- Place a foam block from the packaging to hold the bow in the up position in order to access the mounting slots.
- Insert 3/8" x 3/4" hex head bolts (13) with 3/8" flat washer (12) and 3/8" lock washer (11) as shown.
- Leave loose until the the rack is assembled.
- Repeat on other side of bow.



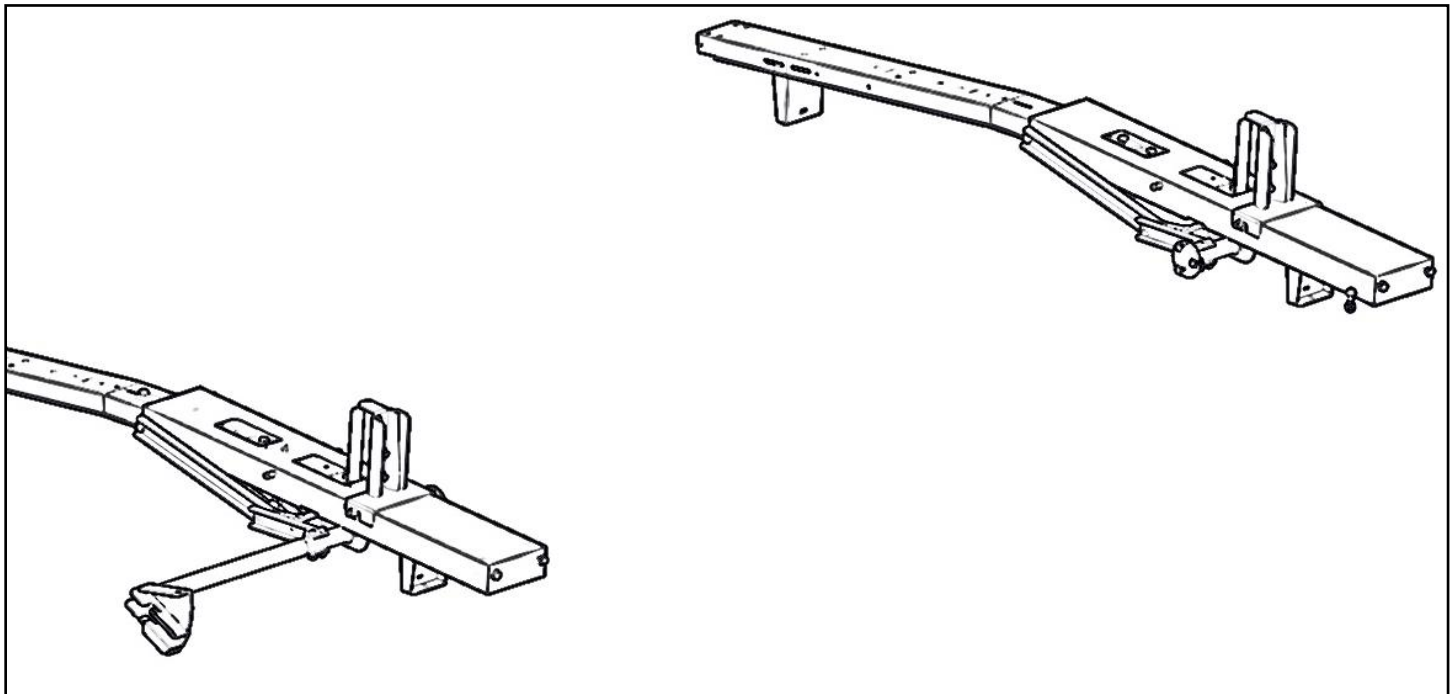
## B. Front Bow

- Repeat the process for the front bow (A).



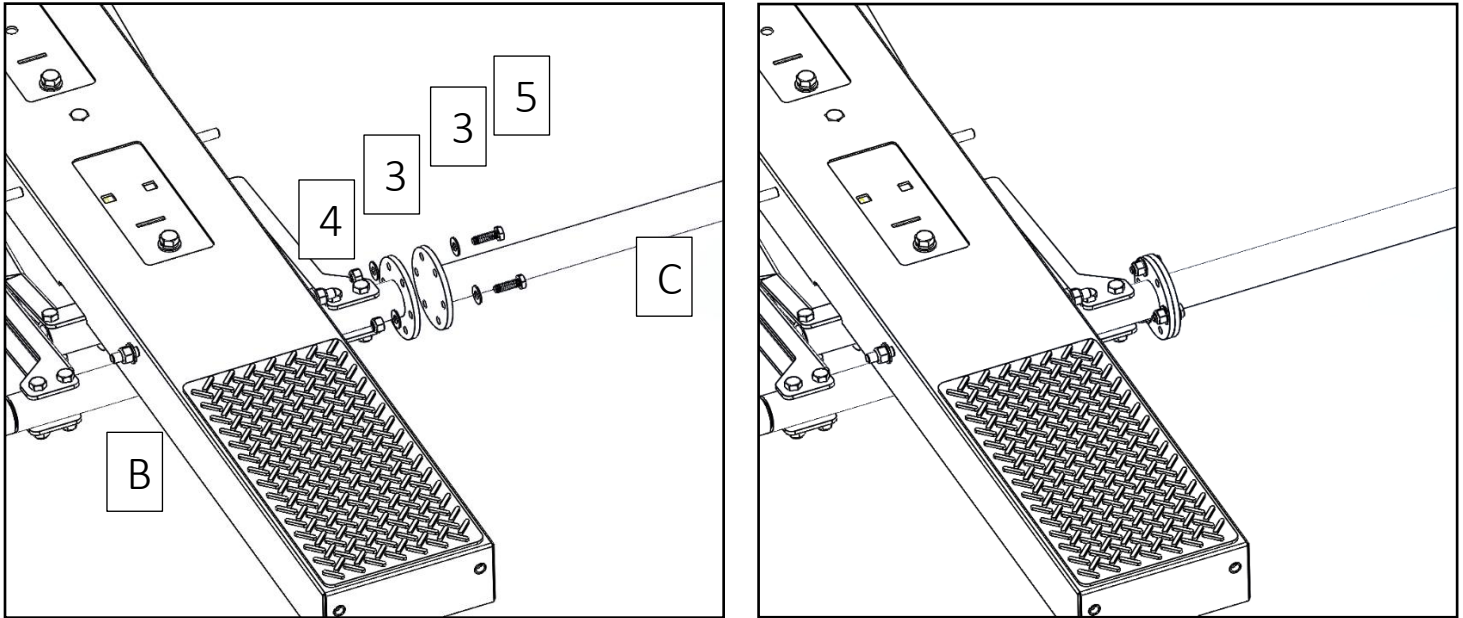
## Step 3 – Torque Tube Installation

**\*\*BE SURE THE BOTH FRONT AND REAR LADDER PANS ARE ALL THE WAY DOWN ON THE BOWS WHILE TIGHTENING.\*\***



- Bolt Torque Tube (C) to Rear Bow Assy (B) using three 1/4" x 7/8" hex head bolts (5) six 1/4" flat washers (3) and three 1/4" nyloc nuts (4).

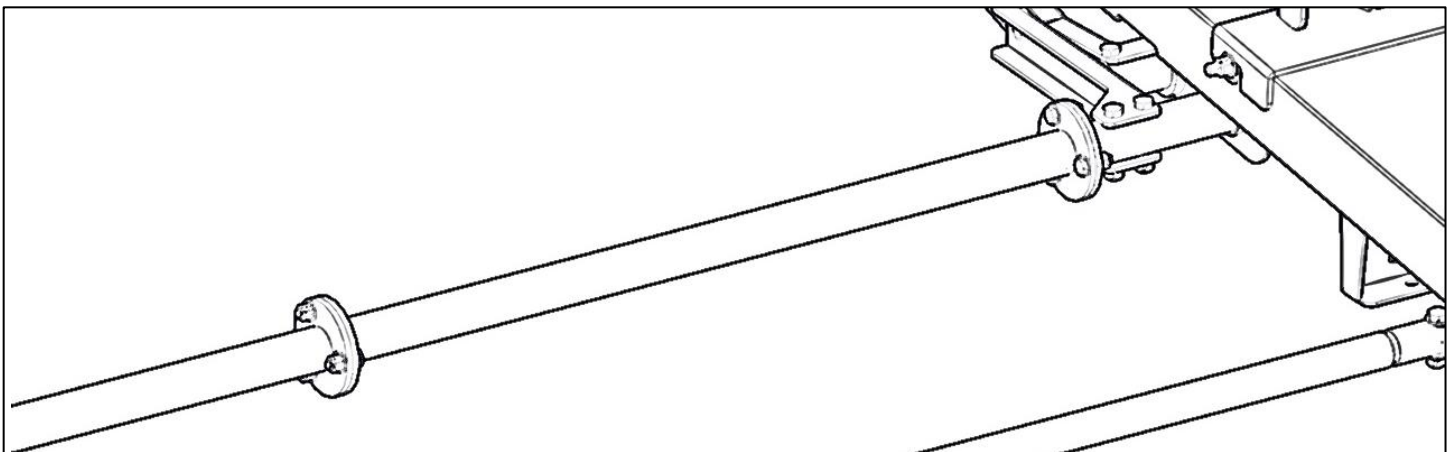
**\*\*You may want to put a foam packing block under the front of torque tube (C) to make it level while tightening.\*\***



- Repeat process to bolt to the front bow assembly (A).

**If installing on a High Roof Extended Transit, the Torque Tube Extension (K) will be used.**

**This extension goes inbetween the torque tube (C) and the front bow (A).**

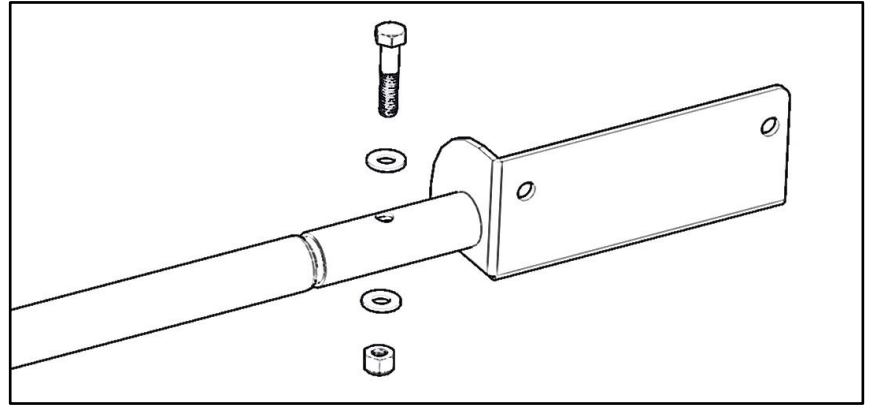




## Step 4 – Ladder Pan Support

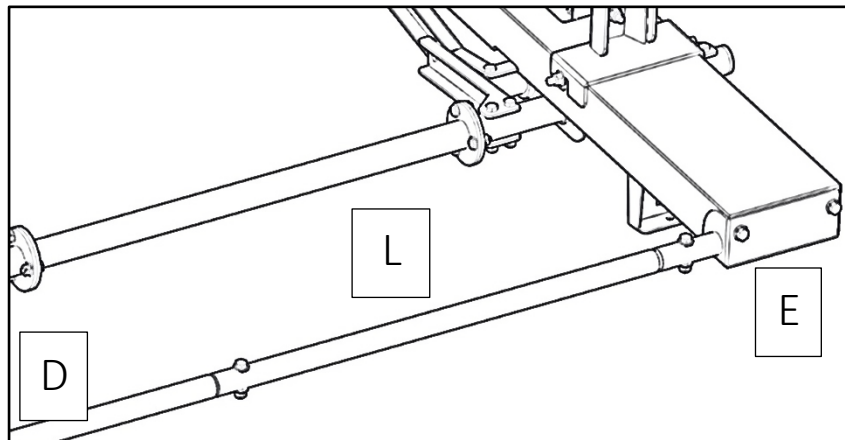
### A.

- Assemble Support Tube (D&E).
- Put sealant (13) into tube swedge and around the bolt holes to prevent water from getting into tubes.



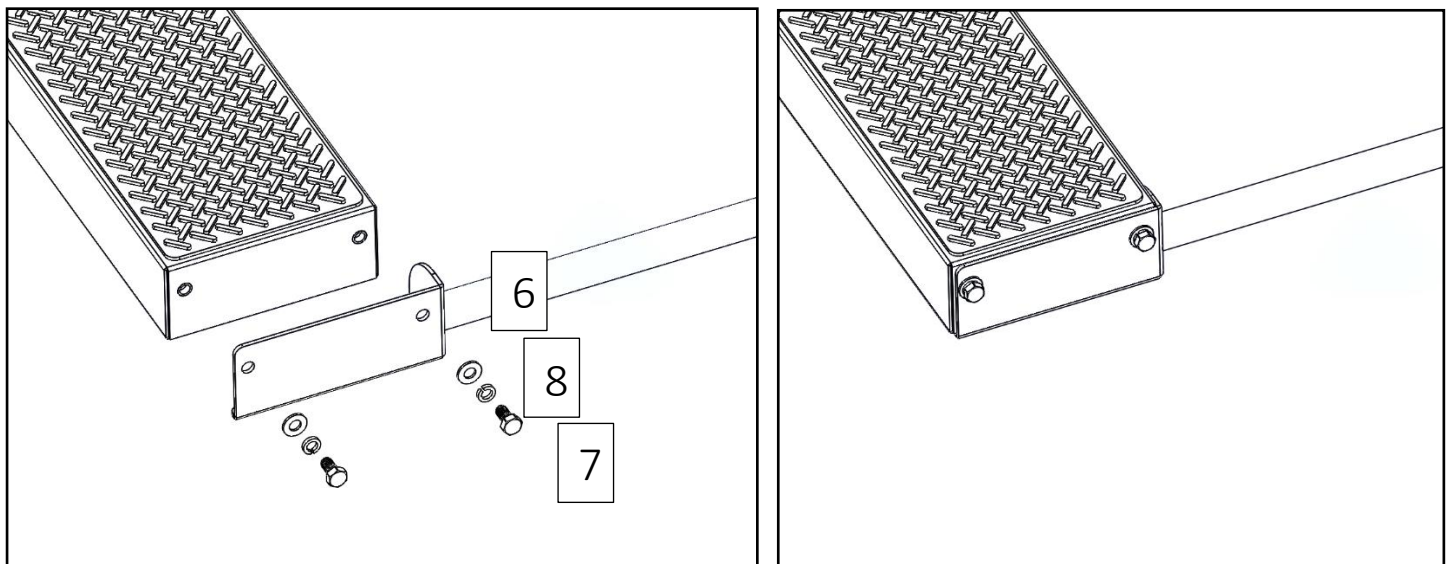
**\*\*If installing on a High Roof Extended Transit, the support tube extension (L) will be used.\*\***

This extension goes between the support tube (D) and the support tube end (E).



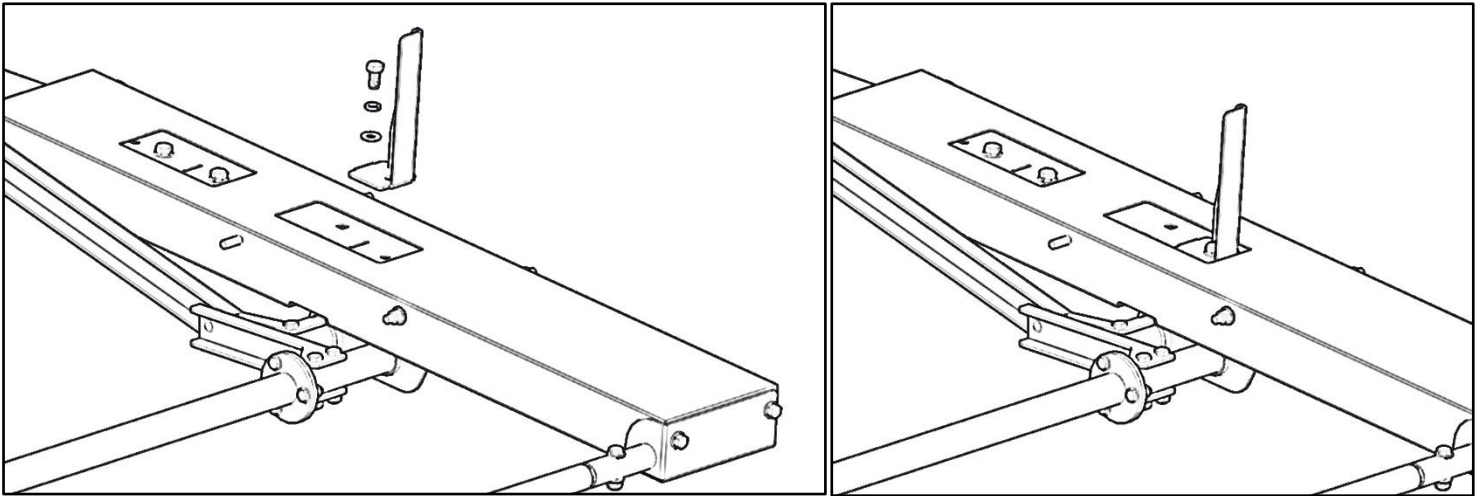
### B.

- Attach Support Tube (D & E) to the Ladder pan as shown using 5/16" x 5/8" hex head (7) with 5/16" lock washers (8) and 5/16" flat washers (6)

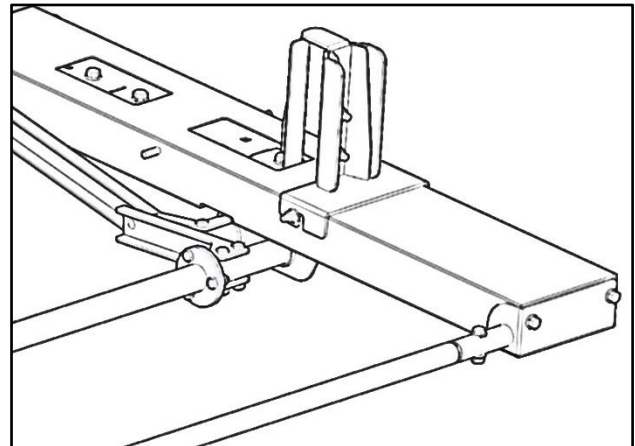
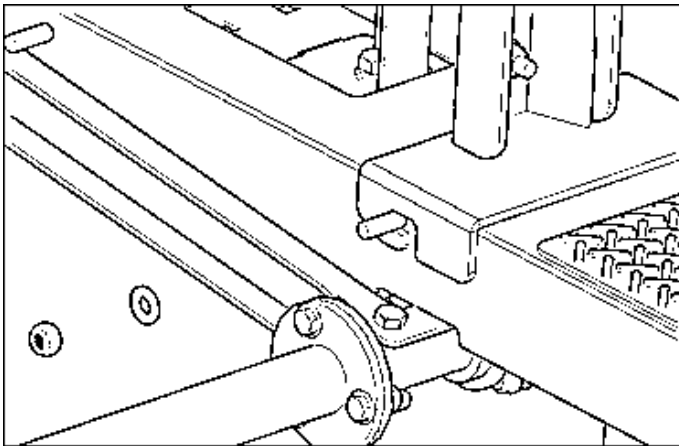


## Step 5 – Ladder Stops and Hooks

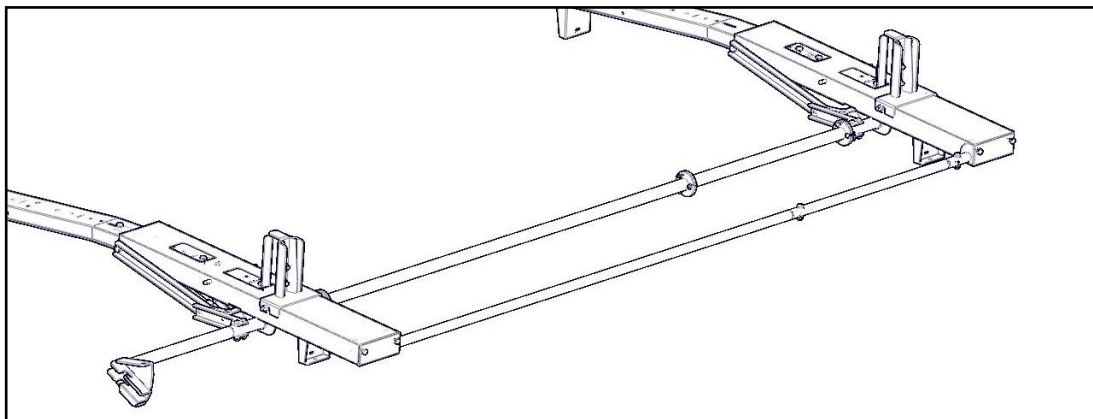
- On the front bow (A), remove 3/8" x 3/4" bolt, 3/8" split lock washer and 3/8" flat washer from shown location and install Ladder Stop (I).



- Bolt Ladder Hook (H) to the lower position where the pem studs are installed. Use a 5/16" flat washer (6) and a 5/16" nyloc nut (9).

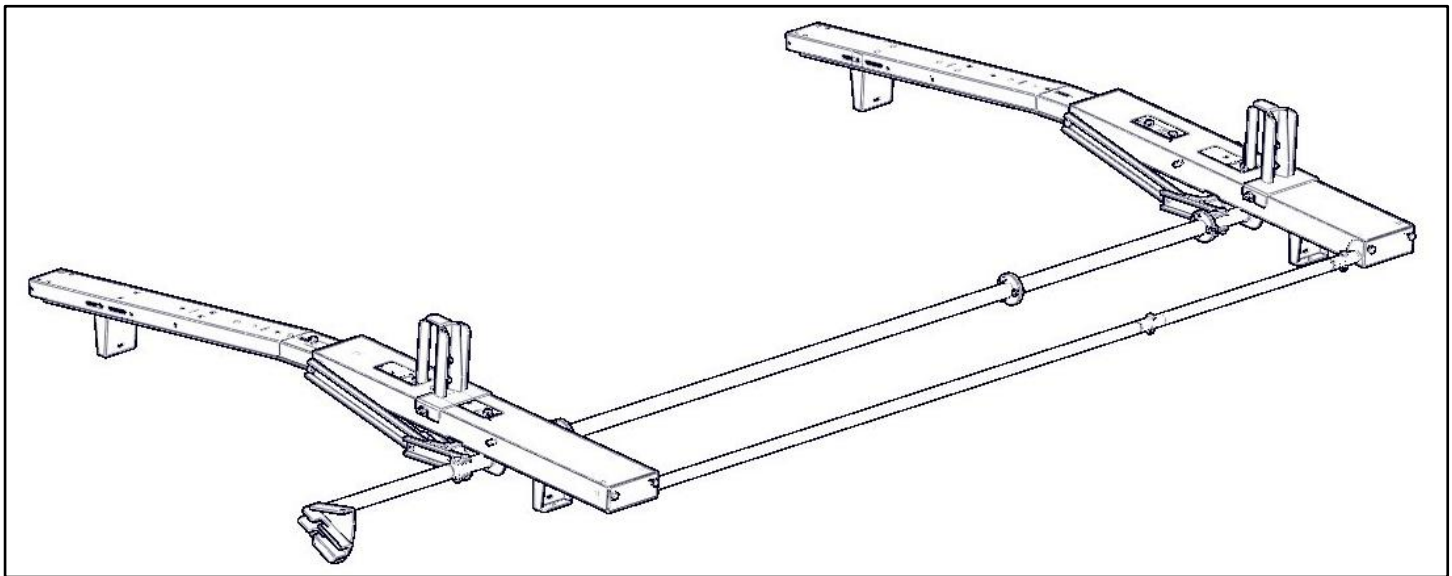
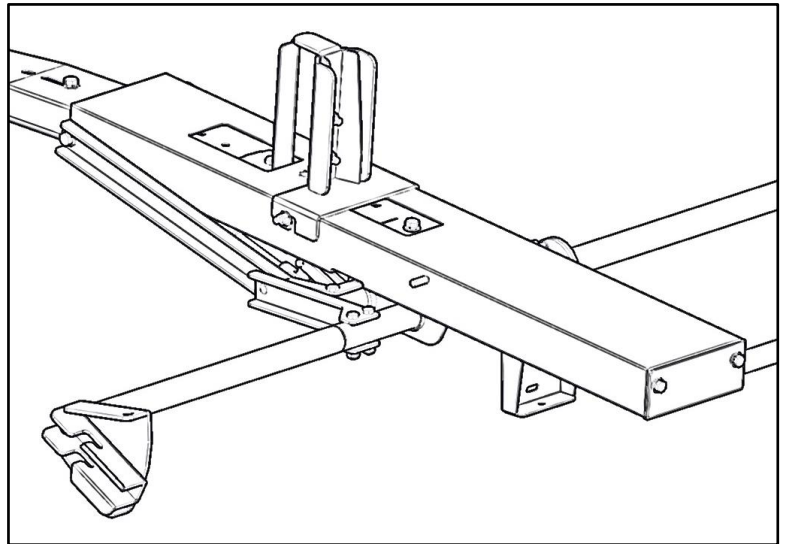


- Repeat on both sides of ladder hook (H).
- If using an "Extension Ladder" put the Ladder Stop(I) at the same location on the Front & Rear Bow Assy (A & B).



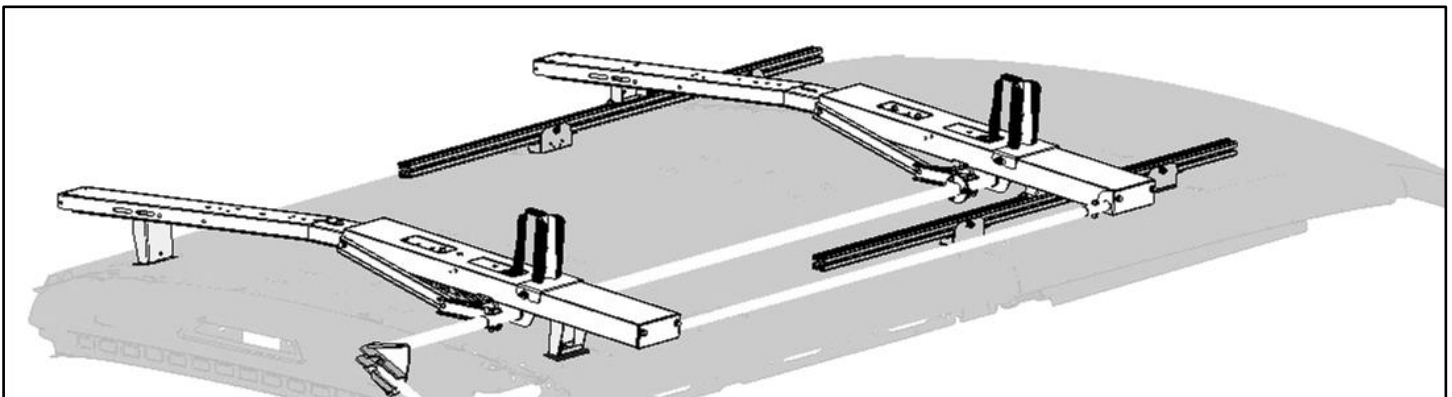
## Step Ladder Set-Up

- If installing for a “Step ladder”, The ladder hook (H) and the ladder stop (I) change positions on the rear bow.
- Both of these parts move higher up on the bow and are installed using the other pem studs.



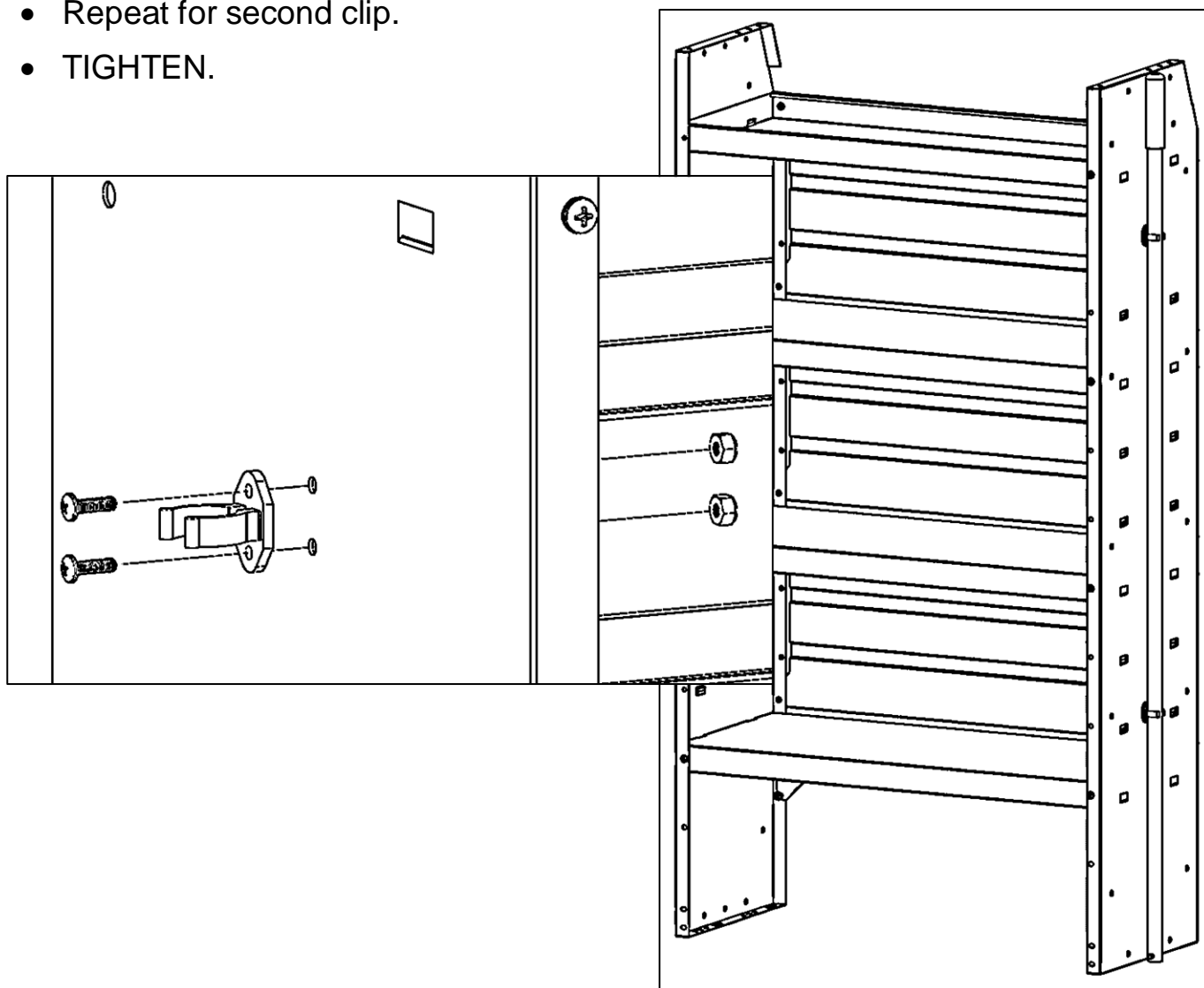
## Step 6 – Installing Rack

- If you built the rack on the bench you can now set the rack on the mounts as described in **Step 2.**
- Be sure rack is centered on the van then **TIGHTEN** all the hardware.



## Step 7 – Install Clips for Handle

- Locate a good mounting place to install the upper clip for the handle. We recommend placing towards the rear of the van on the rear panel of a shelf.
- Place the upper clip on the handle.
- Place the handle against the shelf in the desired location.
- Mark the holes onto the shelf.
- Drill the locations using a 7/32" drill.
- Attach clip using two #10 x 5/8" pan head screws and #10 nuts.
- Repeat for second clip.
- TIGHTEN.



**GO BACK AND ENSURE ALL HARDWARE IS TIGHT.**

**YOUR INSTALLATION IS NOW COMPLETE.**