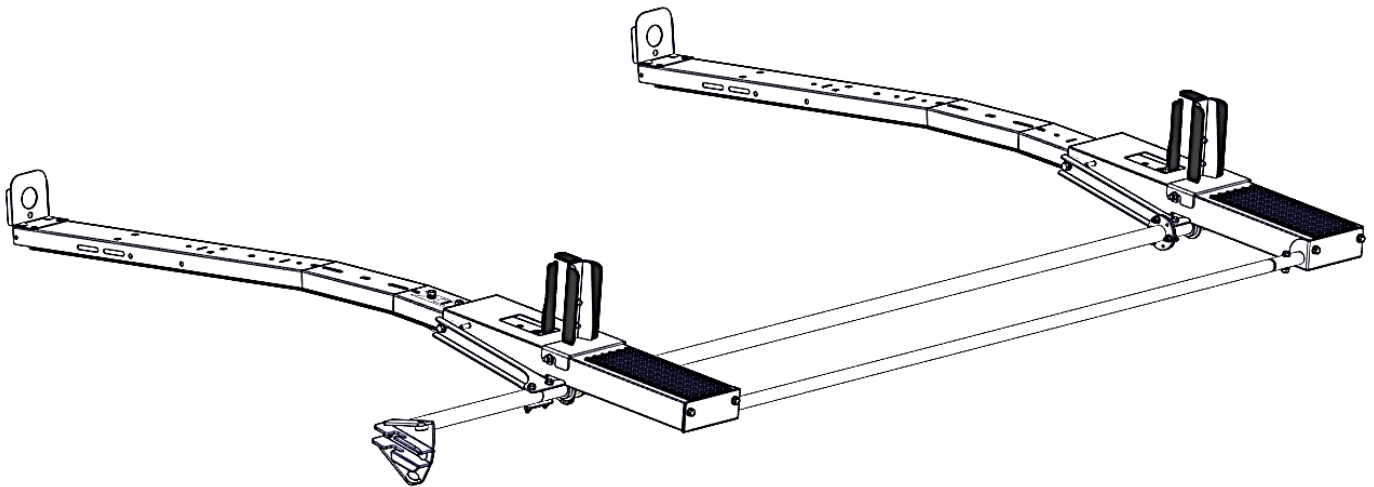


Holman

Instruction Guide 4097M



Holman
Rancho Cordova, CA 95742
800-343-7486
InstallationSupport@Holman.com

PLEASE READ ALL INSTRUCTIONS AND WARNINGS PRIOR TO ASSEMBLING, INSTALLING, AND USING THIS PRODUCT.

Warning



Always check for wires, fuel tanks and lines, brake lines and other important vehicle functionality items prior to drilling and installing all products.

Tools Needed

1/2" Socket and Wrench	7/16" Socket and Wrench
Phillips Driver	3/8" Socket and Wrench

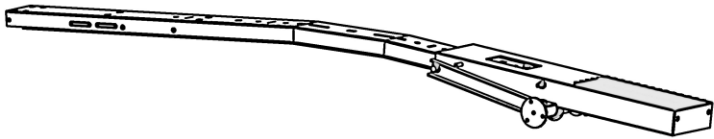
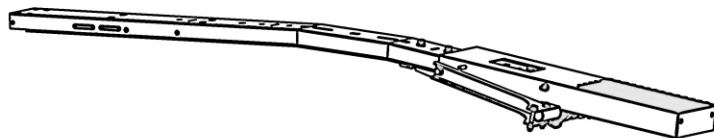



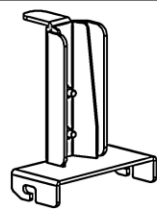
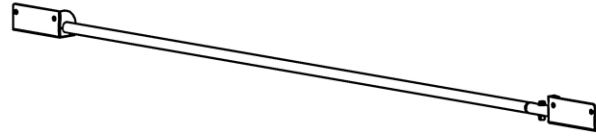

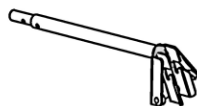
Table of Contents

Parts List	3
Hardware List	4
Step 1 – Place Bows	5
Step 2 – Install Torque Tube	6
Step 3 – Install Pan Tube	7
Step 4 – Tighten Hardware	8
Step 5 – Install Ladder Hooks	9
Step 6 – Install Ladder Stops	10
Step 7 – Install Bow Stop	11
Step 8 – Install Handle Bar Assembly	12
Step 9 – Install Clips for Handle	13
Step 10 – Test Rack	14

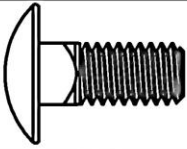
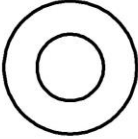

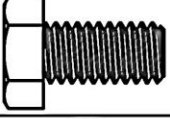
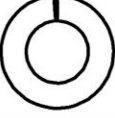
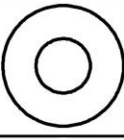

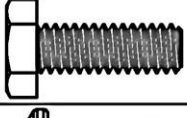


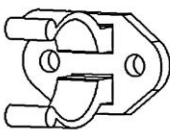
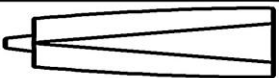
Before You Begin

- Read all instructions.
- Have your vehicle roof mounting installed prior to rack assembly.
- **DO NOT EXCEED MANUFACTURERS WEIGHT CAPACITY FOR ROOF.**

Parts

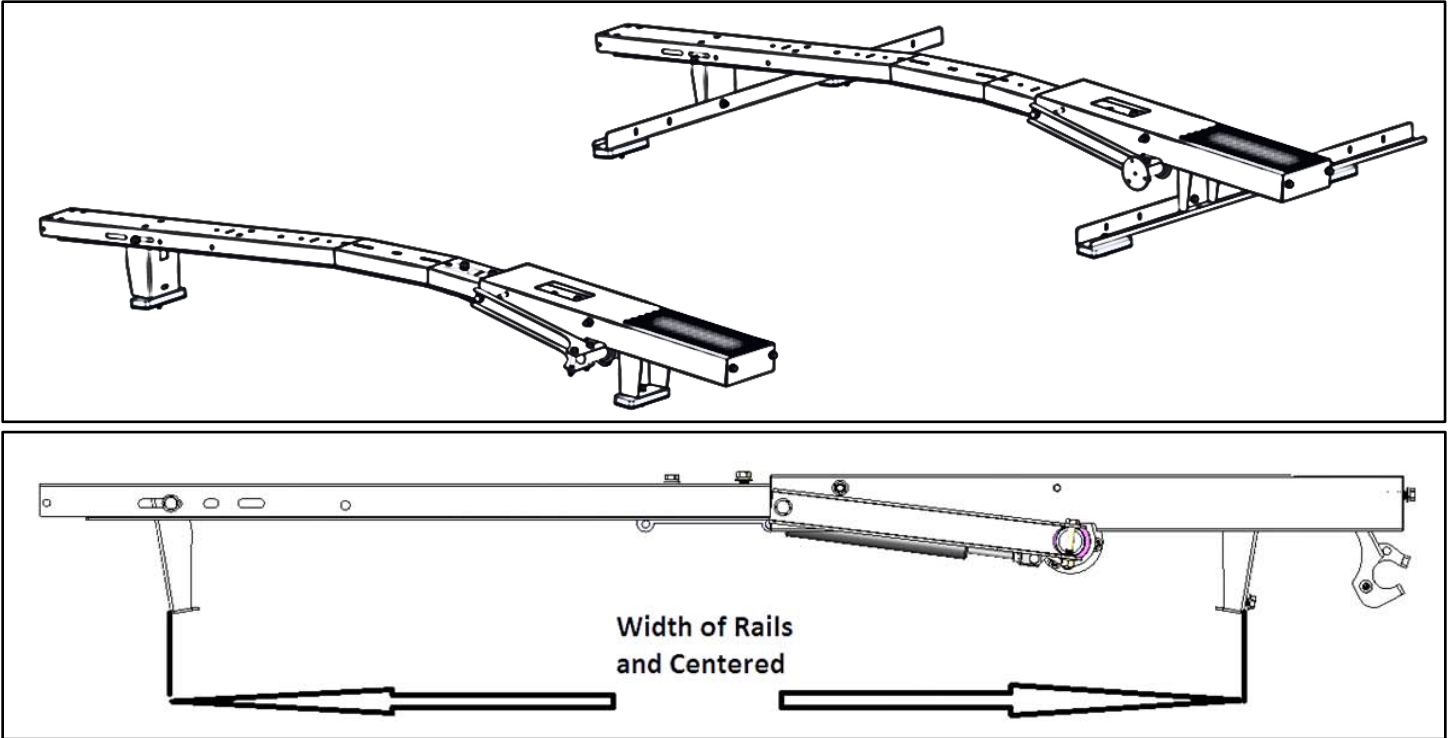
ITEM NO.		PART NUMBER	DESCRIPTION	QTY.
A		4097M-10	Front Bow ASM	1
B		4097M-20	Rear Bow ASM With Damper	1
C		40800-10-008	End Stop	2
D		40800-21	Long Torsion Mechanism	1
E		40900-30-004	Ladder Stop	2
F		40900-31	Ladder Hook Assembly	2
G		40953-831	Crosstube Assembly	1
H		40800-13	Operator Arm Assembly	1
J		40800-10	Handle Bar Assembly	1
		18-4097M	Hardware	1

Hardware

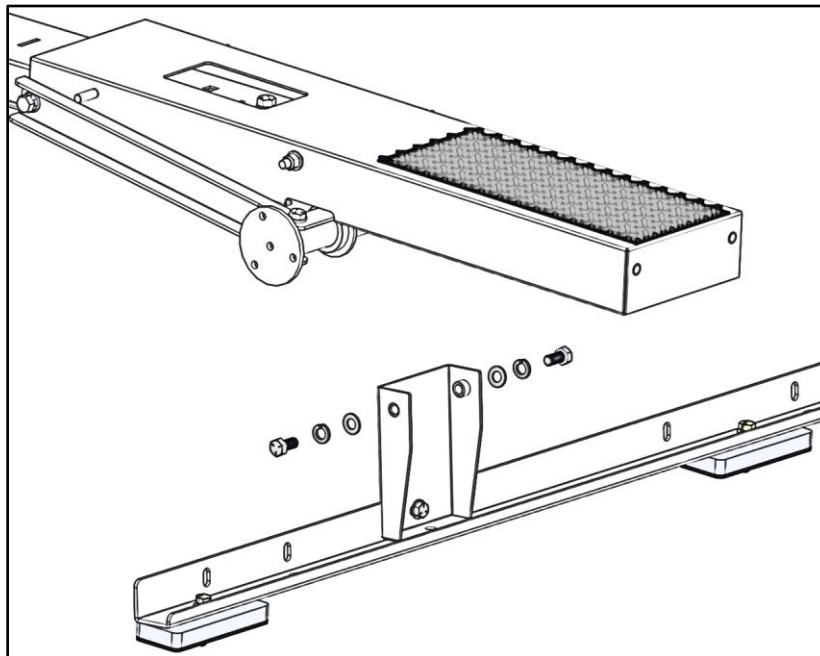
ITEM NO.	TO SCALE	PART NUMBER	DESCRIPTION	QTY.
1		90185A581	5/16" x 3/4" Carriage Bolt	4
2		90126A030	5/16" Flat Washer	8
3		95615A160	5/16" Nyloc	4
4		92865A580	5/16" x 5/8 Hex Head	4
5		91102A755	5/16" Lock Washer	4
6		90126A029	1/4" Flat Washer	12
7		95615A120	1/4" Nyloc	6
8		92865A542	1/4" x 7/8" Hex Head	6
9		90272A244	No10 x 5/8" Pan Head	4
10		90631A011	No10 Nyloc	4
11		1171A72	Handle Holder Clip	2
12			Sealant	1

Step 1 – Place Bows

- Place front bow on top of the installed feet from the mount kit.
- Place rear bow on top of the installed feet from the mount kit.
- Center both bows on the feet.



- Move the pans out of the way to access the slots in the bows.
- Use hardware from the mount kit to attach the bows to the feet.
- **DO NOT TIGHTEN at this point.**

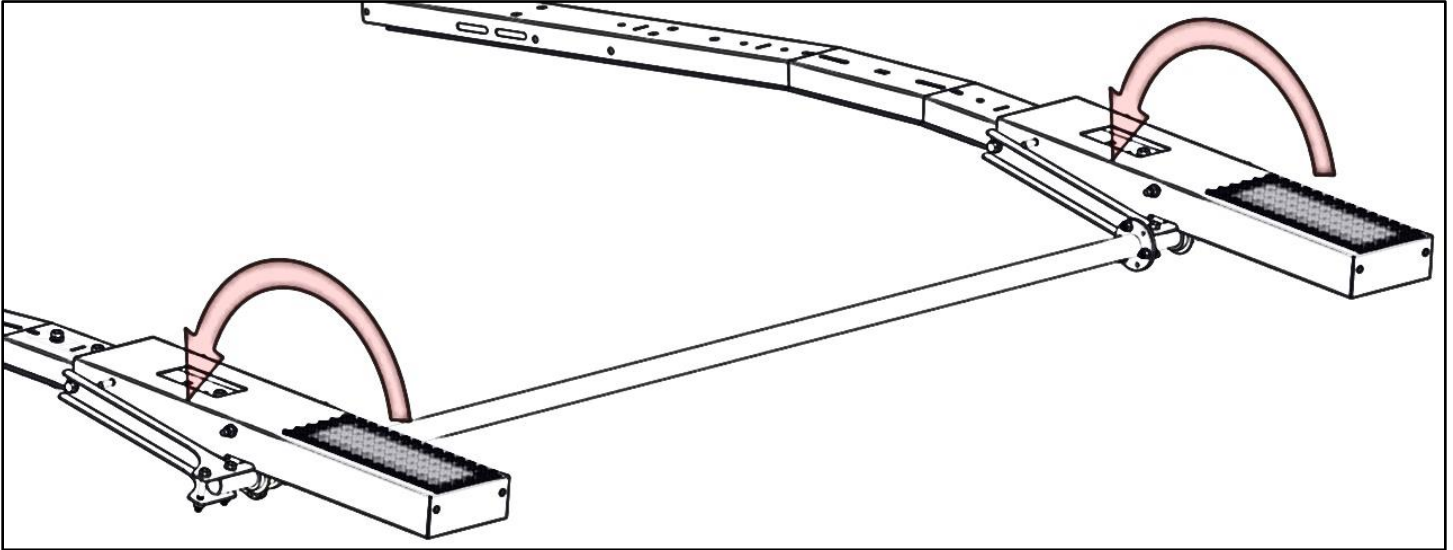


Step 2 – Install Torque Tube

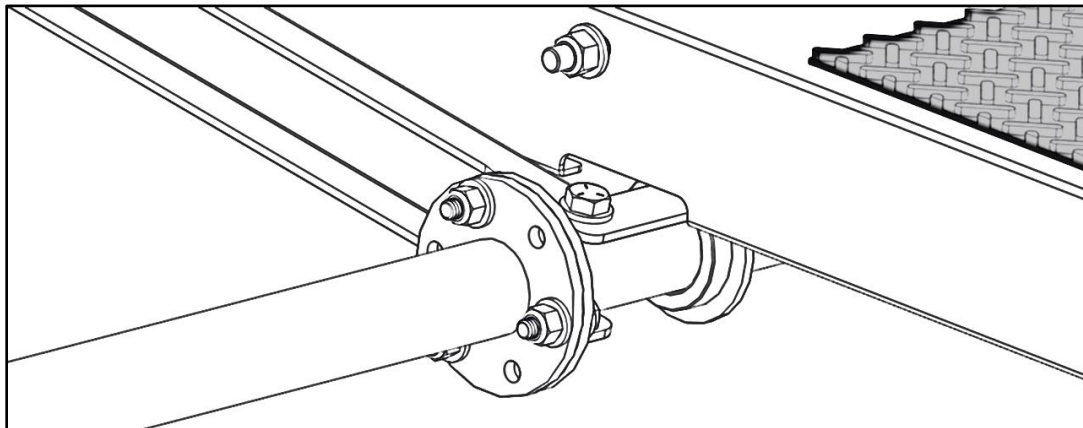
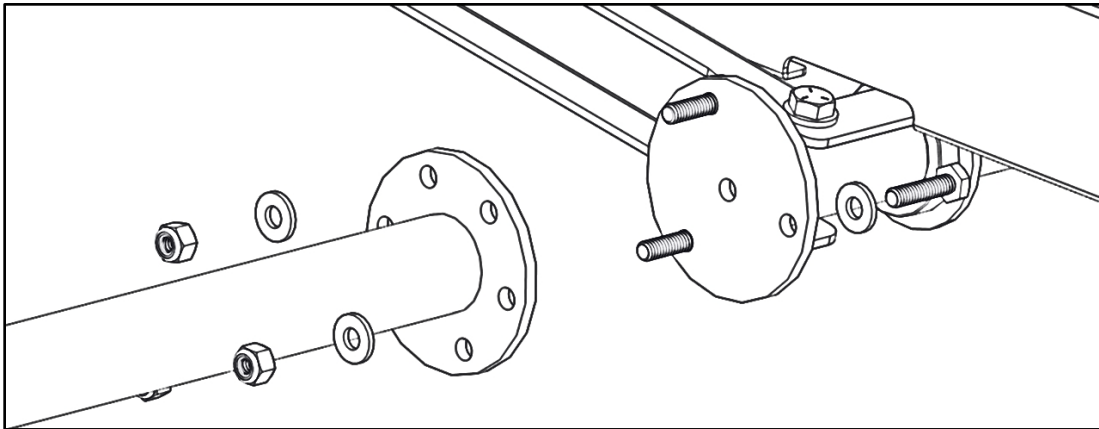
- Place torque tube in between the two bows.

Be sure both ladder pans are COMPLETELY resting on the bows as shown.

- Bolt torque tube to each bow using three 1/4" x 7/8" hex head bolts, six 1/4" flat washers and three 1/4" nyloc nuts.

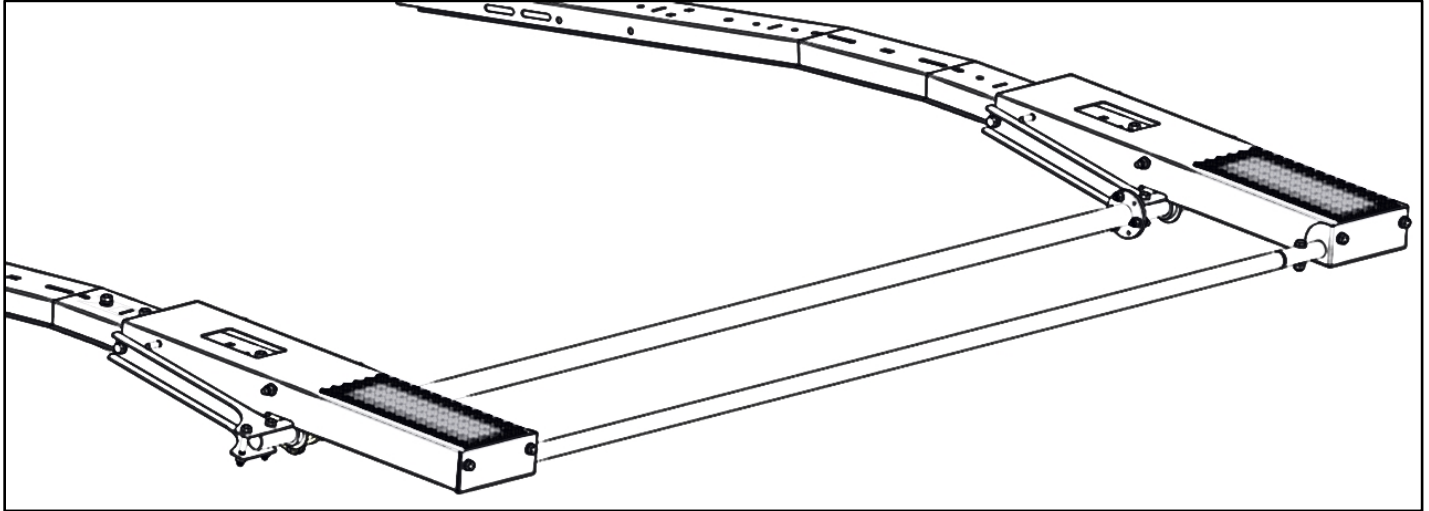


- Repeat on front and rear bow.
- **DO NOT TIGHTEN** at this point.

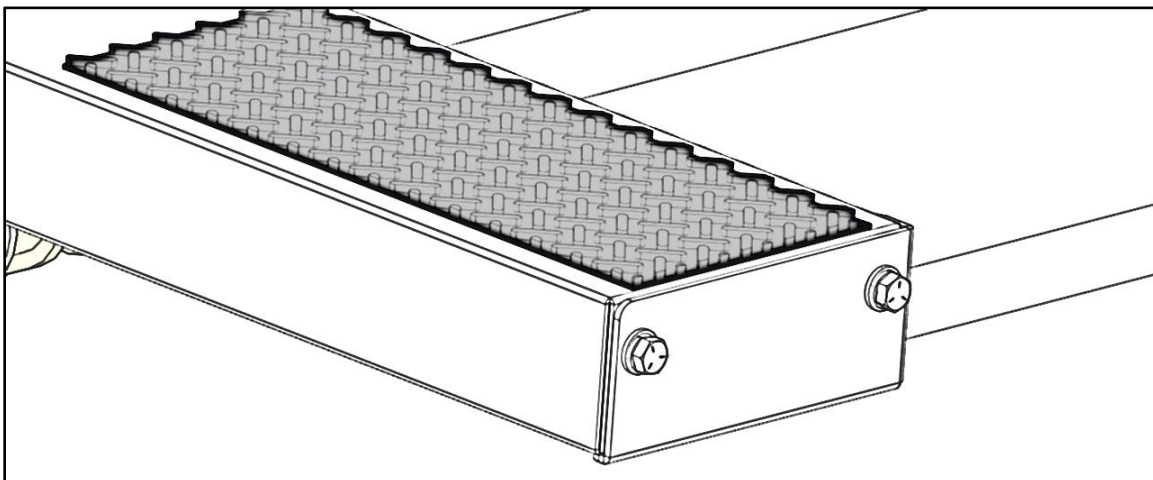
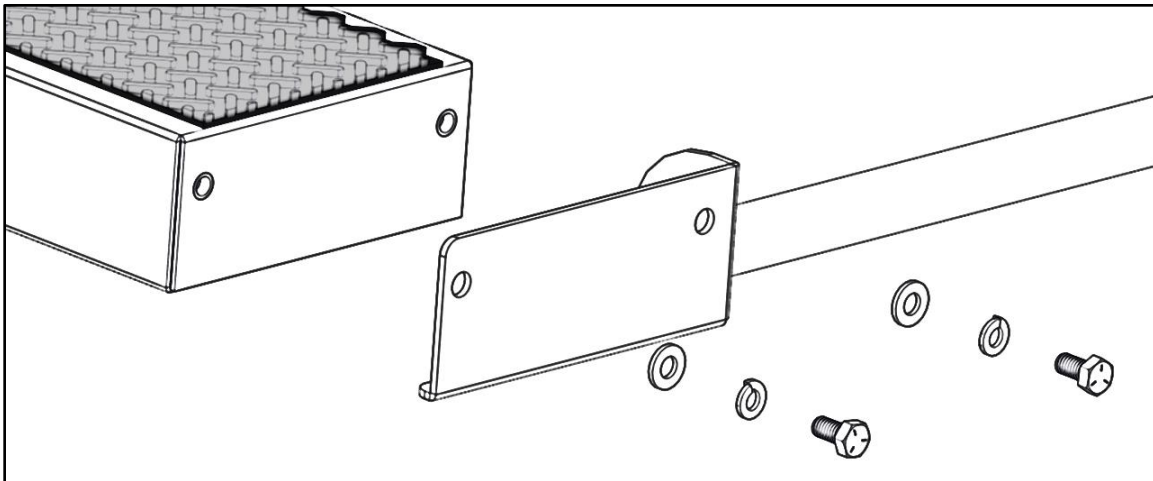


Step 3 – Install Pan Tube

- Place pan tube at the end of the two bows.
- Bolt pan tube to each bow using two 5/16" x 5/8" hex head bolts, two 5/16" split lock washers and two 5/16" flat washers.

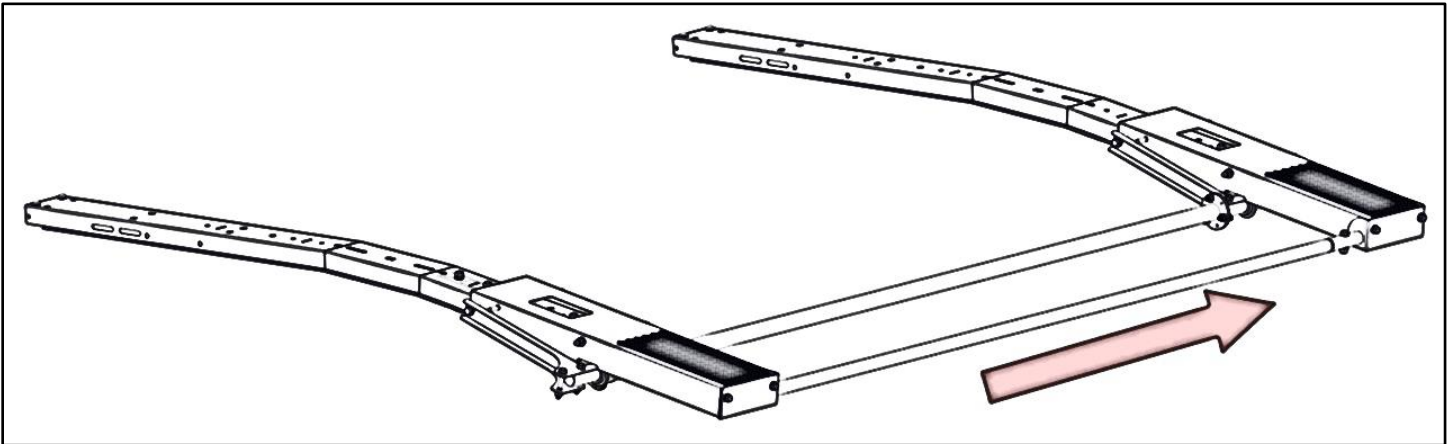


- Repeat on front and rear bow.
- **DO NOT TIGHTEN** at this point.



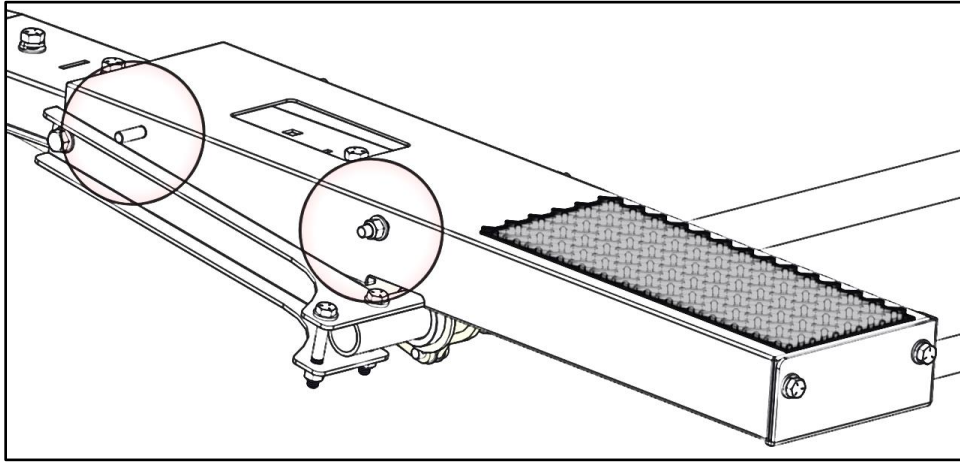
Step 4 – Tighten Hardware

- Start with tightening the rear bow to the feet.
- Tighten rear bow to torque tube from step 2.
- Tighten rear bow to pan tube from step 3.
- Tighten front bow to torque tube from step 2.
- Tighten front bow to pan tube from step 3.
- Tighten front bow to feet.
- Be sure the rack is **SQUARE**.

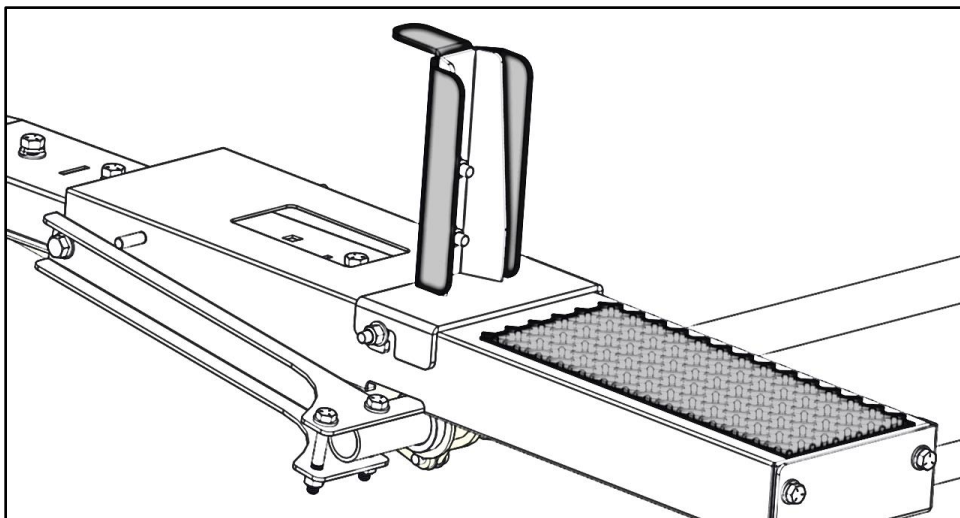
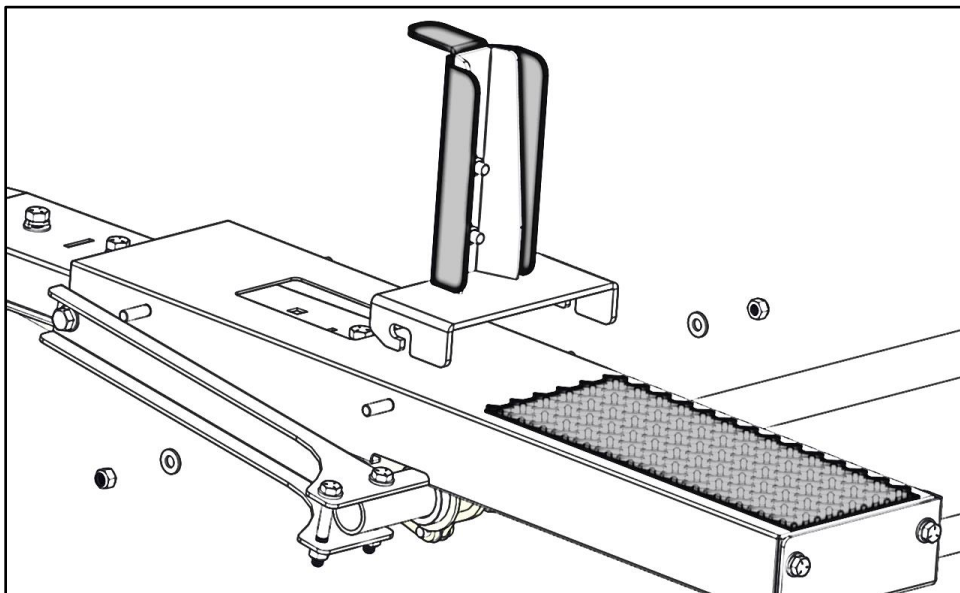


Step 5 – Install Ladder Hooks

- Choose the location where the ladder hook will be installed on both bows.

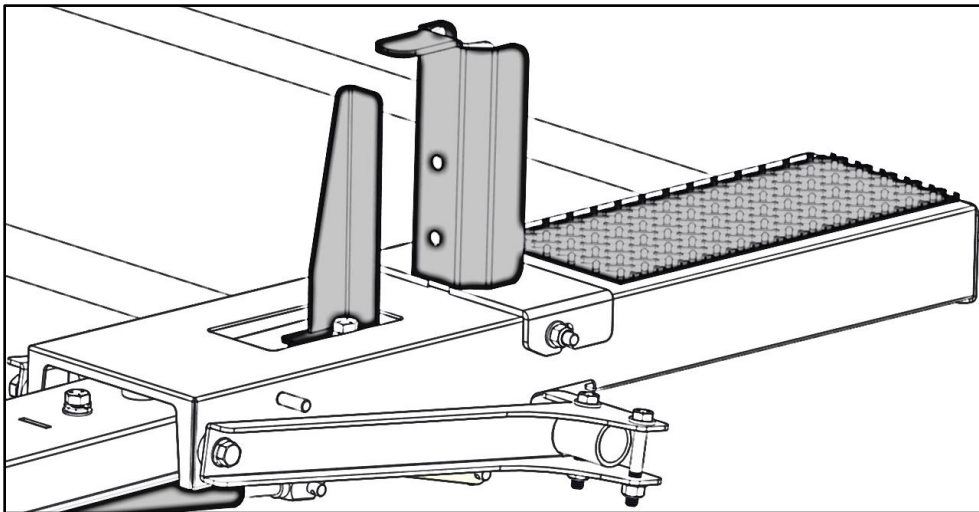
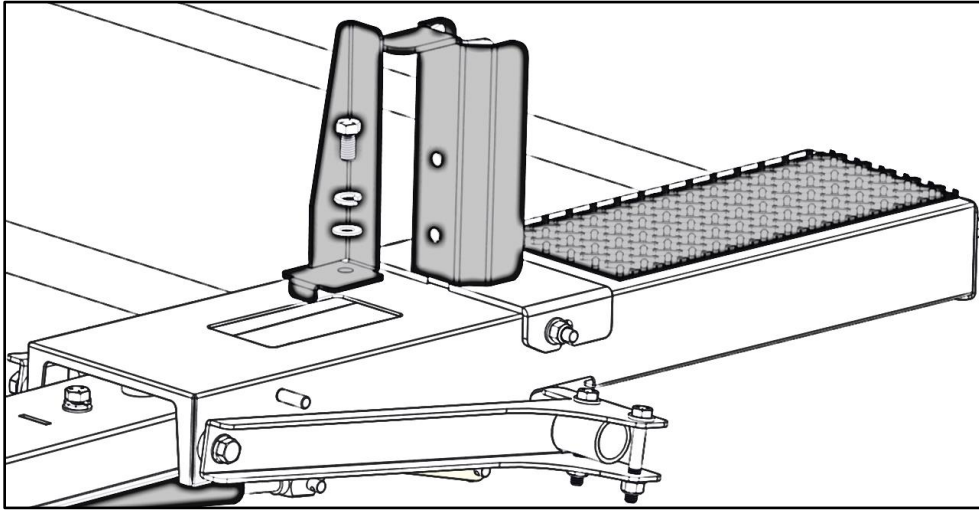


- Once the location is determined, use the pre-installed hardware on bow for installation.
- TIGHTEN.

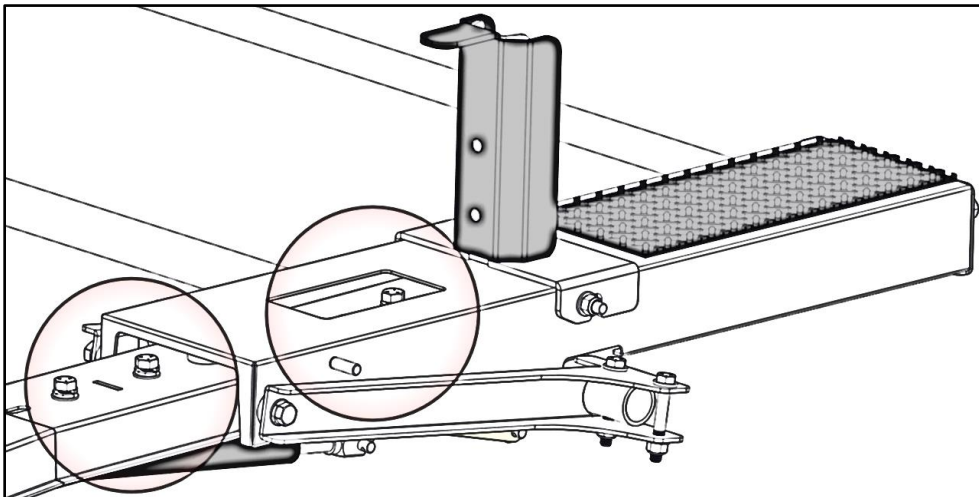


Step 6 – Install Ladder Stops

- Place ladder stop next to the previously installed ladder hook on both front and rear bows.
- Attach to bow using pre-installed hardware.

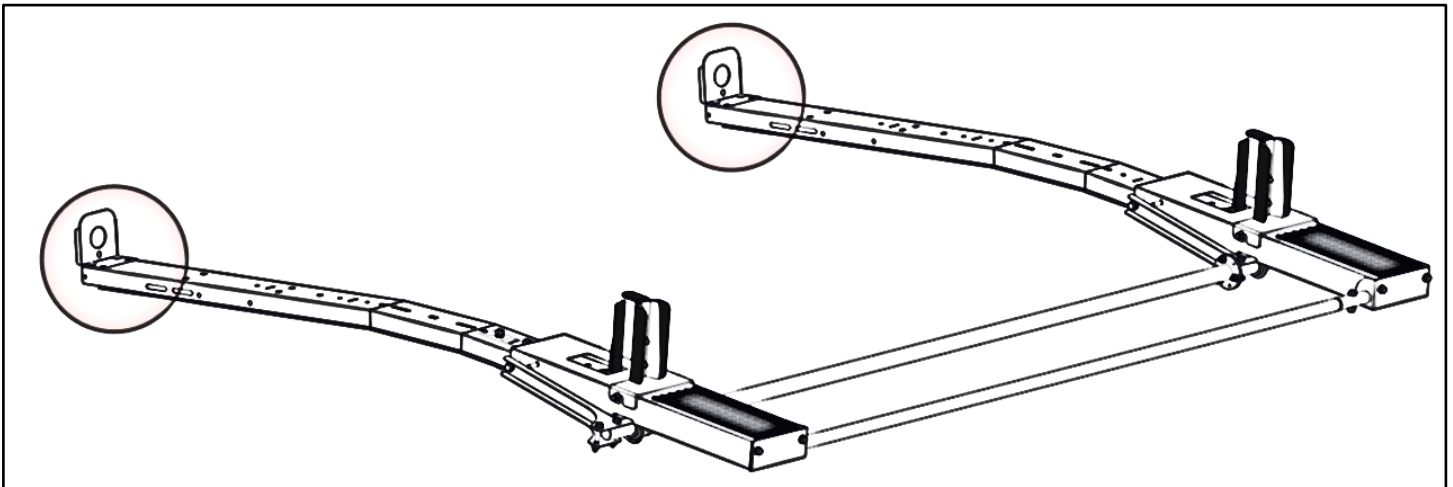
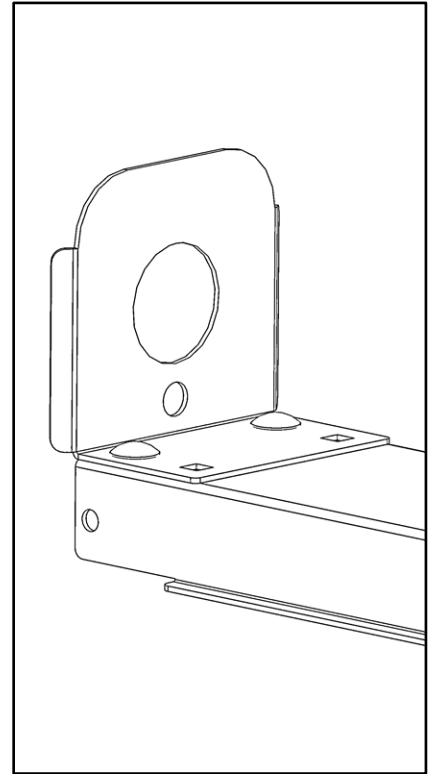
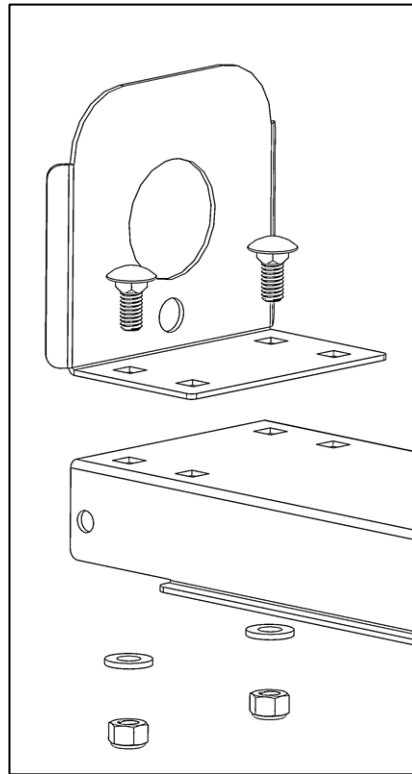


- Be sure the flange on the ladder stop lines up with the rectangular cut out in the pan.
- TIGHTEN.



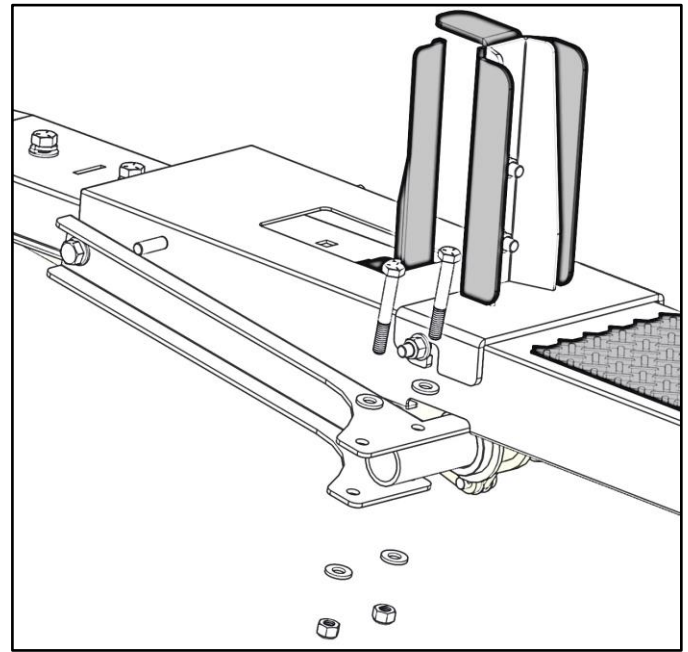
Step 7 – Install Bow Stop

- At the open end of each bow, mount the bow stop using 5/16" x 3/4" carriage bolts, 5/16" flat washers and 5/16" nylon lock nuts.

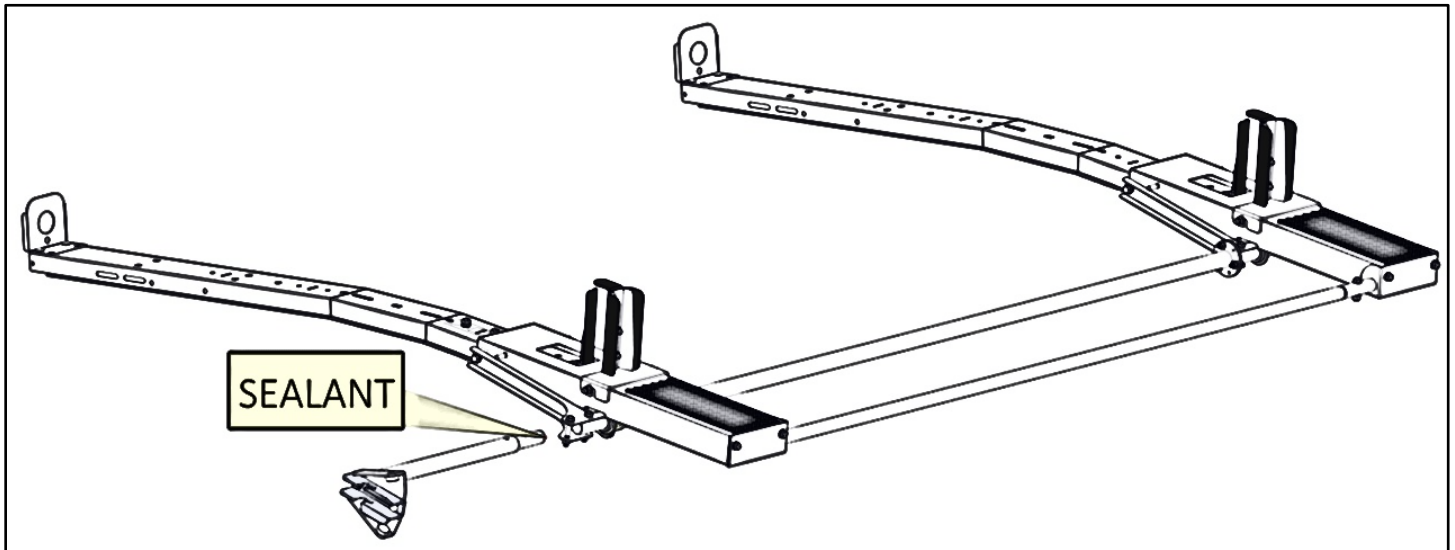


Step 8 – Install Handle Bar Assembly

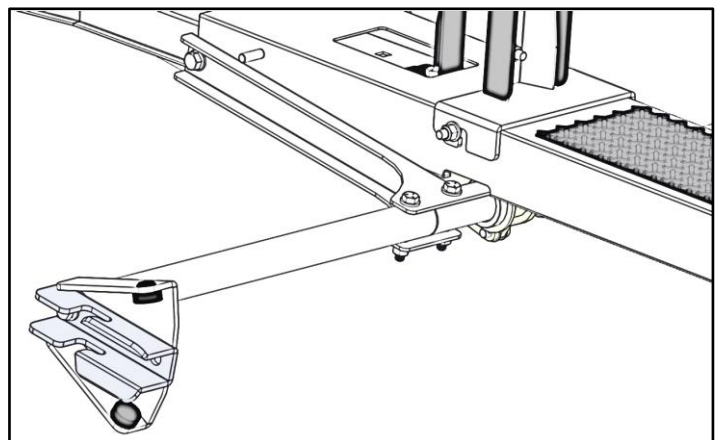
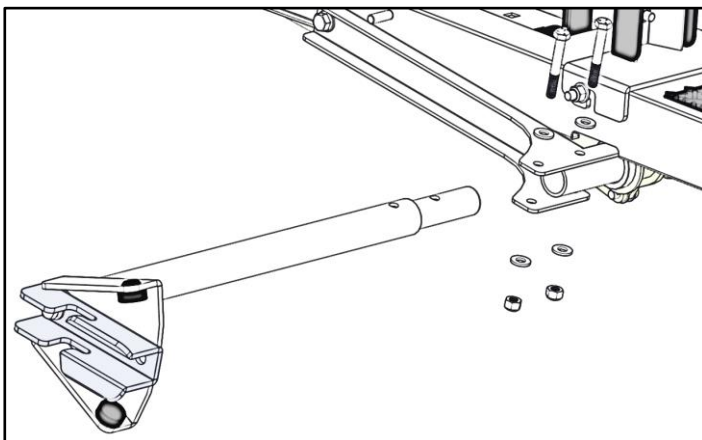
- Remove the hardware that attaches the pan arm to the rear bow tube mechanism.



- Insert handle bar assembly into the open tube in the rear bow tube mechanism.
- Place a generous amount of sealant around the swage connection.

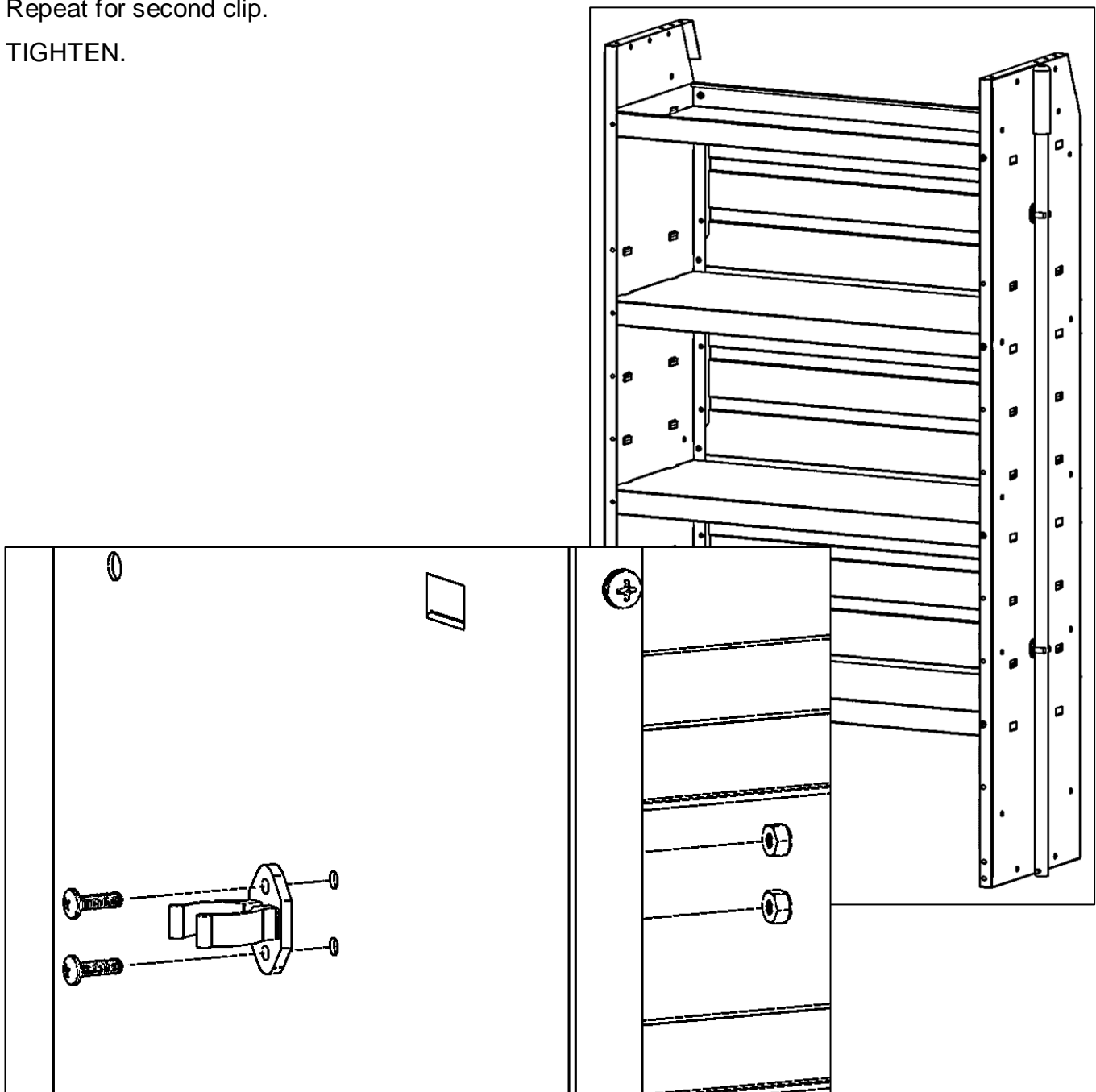


- Bolt handle bar assembly to the rear bow using the previously removed hardware.



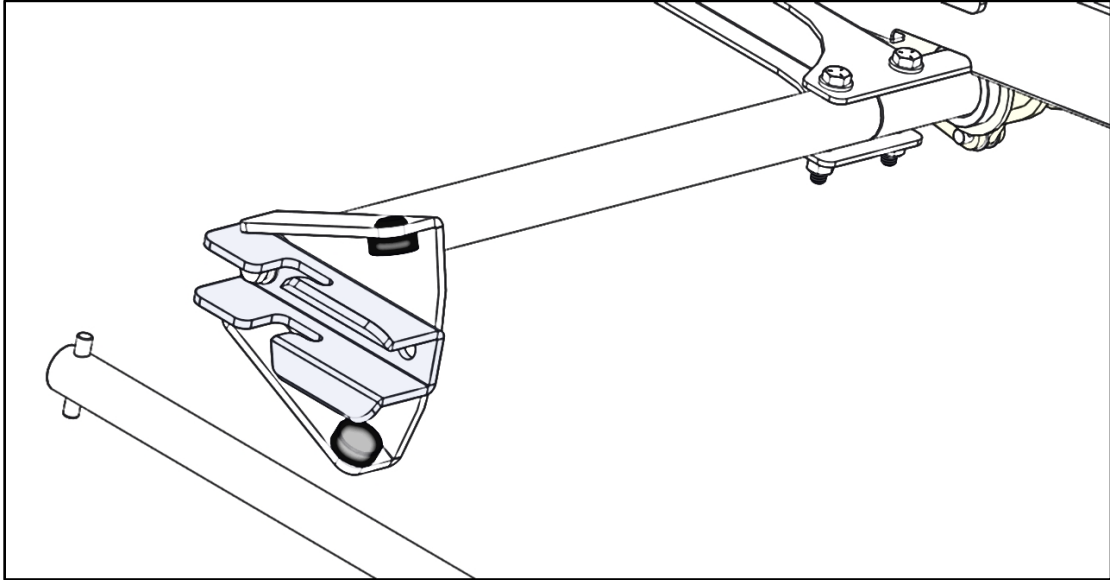
Step 9 – Install Clips for Handle

- Locate a good mounting place to install the upper clip for the handle. We recommend placing towards the rear of the van on the rear panel of a shelf.
- Place the upper clip on the handle.
- Place the handle against the shelf in the desired location.
- Mark the holes onto the shelf.
- Drill the locations using a 7/32" drill.
- Attach clip using two #10 x 5/8" pan head screws and #10 nuts.
- Repeat for second clip.
- TIGHTEN.



Step 10 – Test Ladder Rack

- Go back and ensure all hardware is tight.
- Prior to installing a ladder, place the long handle into the handle bar assembly and test that the ladder rack mechanism works correctly.



ENSURE ALL HARDWARE IS TIGHT.

YOUR INSTALLATION IS NOW COMPLETE.

