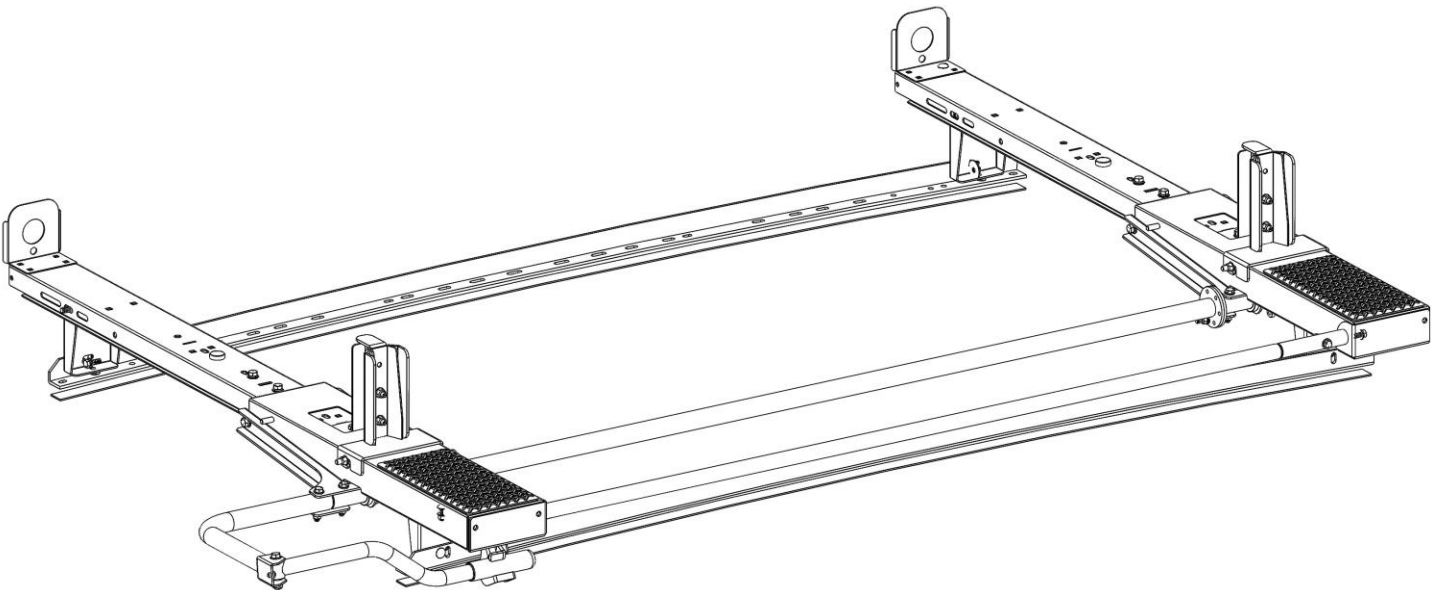


# Holman

---

## Instruction Guide 40933

---



---

Holman  
Rancho Cordova, CA 95742  
800-343-7486  
InstallationSupport@Holman.com

---

**PLEASE READ ALL INSTRUCTIONS AND WARNINGS PRIOR TO ASSEMBLING, INSTALLING, AND USING THIS PRODUCT.**

**Warning**



Always check for wires, fuel tanks and lines, brake lines and other important vehicle functionality items prior to drilling and installing all products.

**Tools Needed**

|                         |                         |
|-------------------------|-------------------------|
| 13mm Socket and Wrench  | 10mm Socket and Wrench  |
| 5mm Allen Hex           | 9/16" Socket and Wrench |
| 7/16" Socket and Wrench | 1/2" Socket and Wrench  |

**Table of Contents**

Parts ..... 2

Hardware ..... 3

ProMaster City Installation ..... 5

NV200/City Express Installation ..... 6

Transit Connect Installation ..... 7

Assembly Instructions ..... 8

Step 1 – Assembly of Foot ..... 8

Step 2 – Pan Hooks ..... 9

Step 3 – Determine Front and Rear Bows ..... 9

Step 4 – Mount Feet to Rails ..... 10

Step 5 – Place Bows on Feet ..... 10

Step 6 – Install Torque Tube ..... 11

Step 7 – Install Ladder Pan Stiffener ..... 12

Step 8 – Determine Ladder Stop Locations ..... 13

Step 9 – Install Ladder Stops ..... 14

Step 10 – Install Ladder Hooks ..... 14

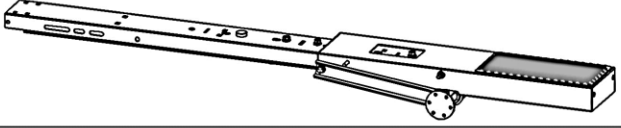
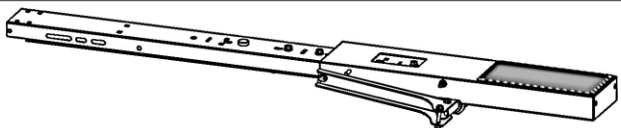

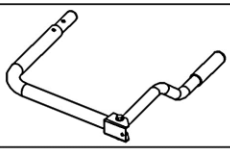
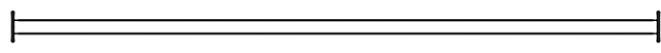
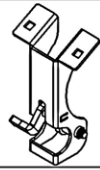
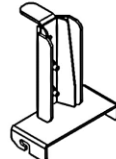

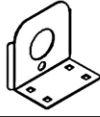


Step 11 – Install Latch ..... 15

Step 12 – Install Handle ..... 15

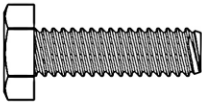
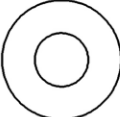


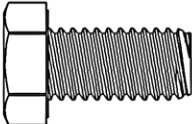
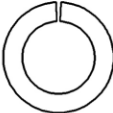
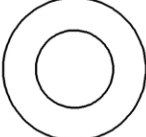
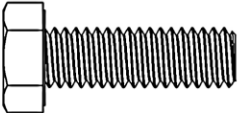
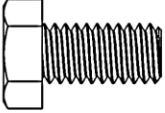
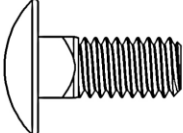
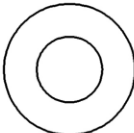
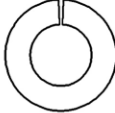

**Before You Begin**

- Read all instructions prior to assembling or installing any Holman product.
- Install the vehicle roof mounting rail prior to rack assembly.
- Be sure to put sealant around all threads entering cargo area and between the rubber spacer and roof of vehicle to prevent water from leaking into cargo area.
- **DO NOT EXCEED MANUFACTURERS WEIGHT CAPACITY FOR ROOF**
- **BE SURE TO ADJUST LADDER CLAMPS ACCORDINGLY TO SECURE LADDER TO RACK**

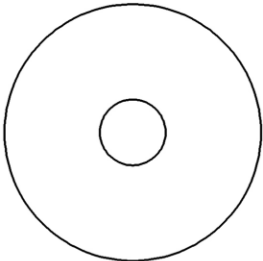
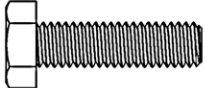
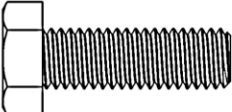
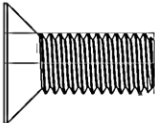

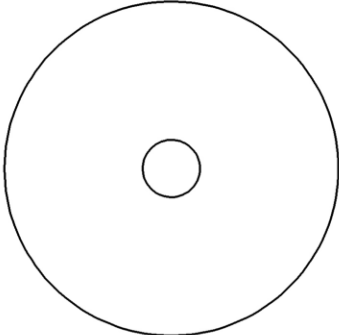

## Parts

| ITEM NO. | ITEM  | PART NUMBER  | DESCRIPTION          | QTY. |
|----------|---|--------------|----------------------|------|
| 1        |    | 40933-04     | FRONT BOW ASM        | 1    |
| 2        |    | 40933-03     | REAR BOW ASM         | 1    |
| 3        |    | 40953-831    | LADDER PAN STIFFENER | 1    |
| 4        |    | 40933-43     | HANDLE ASSEMBLY      | 1    |
| 5        |    | 40800-21     | TORQUE TUBE ASM      | 1    |
| 6        |   | 40900-43     | LATCH ASM            | 1    |
| 7        |  | 40900-31-R2  | LADDER HOOK ASSY.    | 2    |
| 8        |  | 40900-30-004 | LADDER STOP          | 2    |
| 9        |  | 40800-10-008 | LADDER STOP          | 2    |
| 10       |  | 13-03105     | FOOT                 | 4    |
| 11       |  | 11-03098     | TOP RAIL DRIVER SIDE | 2    |
| 12       |   | 18-00549     | ASSEMBLY BOLT KIT    | 1    |

## Hardware

| ITEM | HARDWARE TO SCALE   | PART NUMBER | DESCRIPTION                   | QTY. |
|------|---|-------------|-------------------------------|------|
| 1    |    | 13004       | 1/4"-20 X 7/8" HEX HEAD BOLT  | 6    |
| 2    |    | 11541082    | 1/4 FLAT WASHER               | 18   |
| 3    |    | 33618       | 1/4" LOCK WASHER              | 6    |
| 4    |    | 0169789     | 1/4-20 NYLOC NUT              | 6    |
| 5    |    | 11241196    | 3/8-16 X 3/4" HEX HEAD BOLT   | 8    |
| 6    |    | 0123496     | 3/8" SPLIT LOCK WASHER        | 8    |
| 7    |   | 11541089    | 3/8" WASHER                   | 8    |
| 8    |  | 11241179    | 5/16-18 X 1" HEX HEAD BOLT    | 4    |
| 9    |  | 92865A580   | 5/16-18 X 5/8 HEX HEAD        | 4    |
| 10   |  | 21810       | 5/16"-18 X 3/4" CARRIAGE BOLT | 6    |
| 11   |  | 33080       | 5/16" FLAT WASHER             | 26   |
| 12   |  | 1133620     | 5/16" LOCKING WASHER          | 8    |
| 13   |  | 0169777     | 5/16"-18 NYLOC                | 14   |

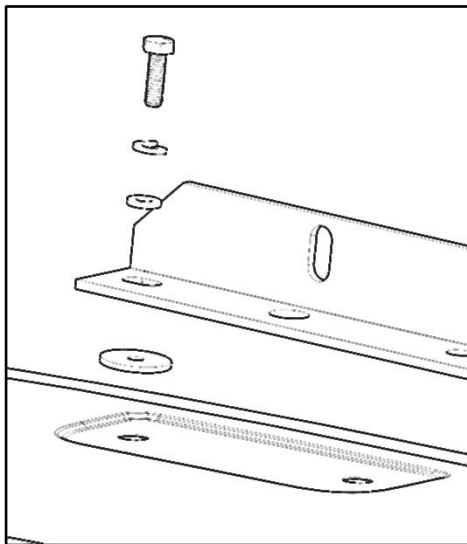
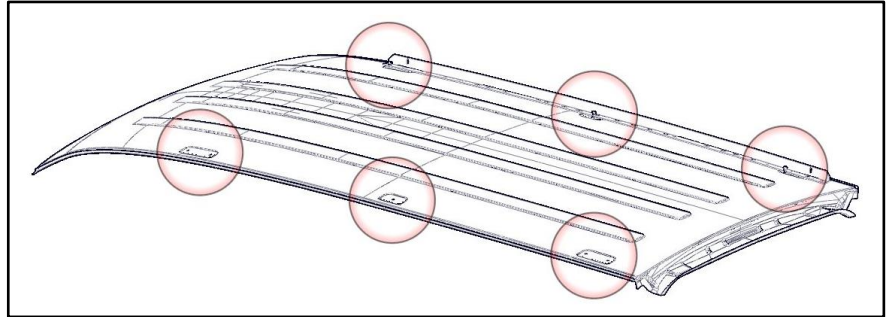
## Hardware (Continued)

| ITEM | HARDWARE TO SCALE   | PART NUMBER | DESCRIPTION                                      | QTY. |
|------|---|-------------|--|------|
| 14   |    | 33216       | 5/16" FENDER WASHER                              | 4    |
| 15   |    | 38560       | M6-1 X 22MM HEX HEAD BOLT                        | 6    |
| 16   |    |             | M8 X 25mm HEX                                    | 4    |
| 17   |    | 0141405     | M8-1.25 X 20 FLAT HEAD SOCKET CAP SCREW          | 2    |
| 18   |    | 11511017    | M8-1.25mm NYLON NUT                              | 4    |
| 19   |  |             | 5/16" RUBBER FENDER WASHER, 1-3/4" OD X 1/8" THK | 6    |
| 20   |  |             | SEALANT  | 1    |

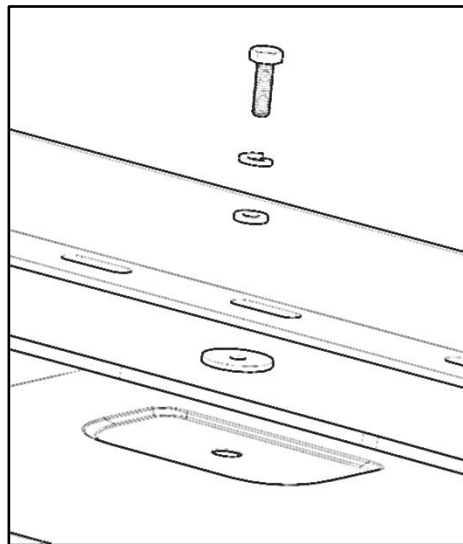
## DO NOT EXCEED MANUFACTURERS WEIGHT CAPACITY FOR ROOF.

### ProMaster City Installation

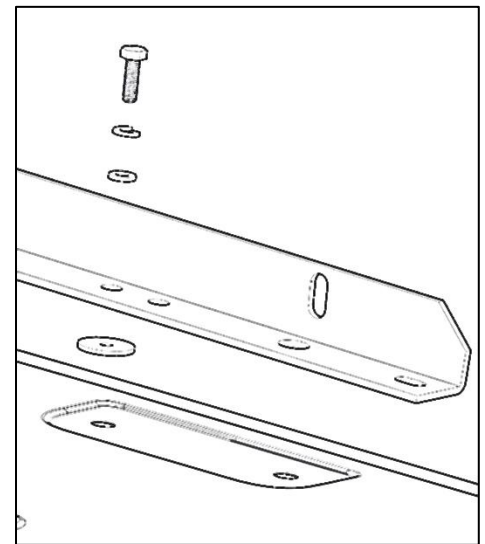
- Locate 6 mounting locations shown on roof of van.
- Install mounting rail as shown using M6 x 22mm bolts, 1/4" lock washers, and 1/4" flat washers.
- In most installs, the rail upright is to the outside of the van.
- Be sure to put rubber washer between the mounting rail and the roof to ensure sealing.
- Place sealant on and around threads to seal roof. (Passenger side shown)



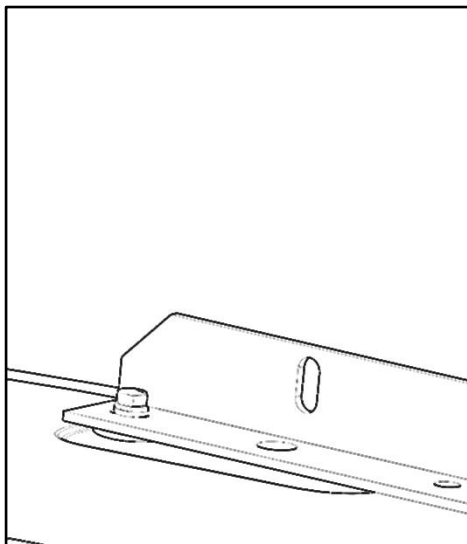
**FRONT EXPLODED**



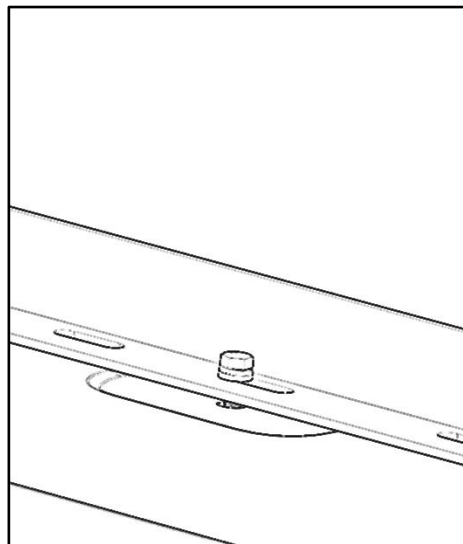
**MID EXPLODED**



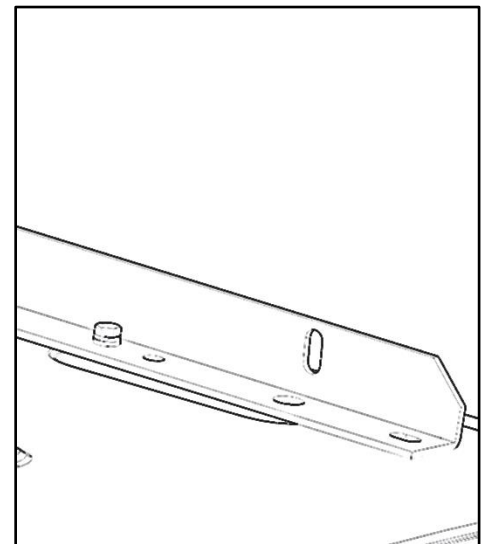
**REAR EXPLODED**



**FRONT TIGHTENED**



**MID TIGHTENED**

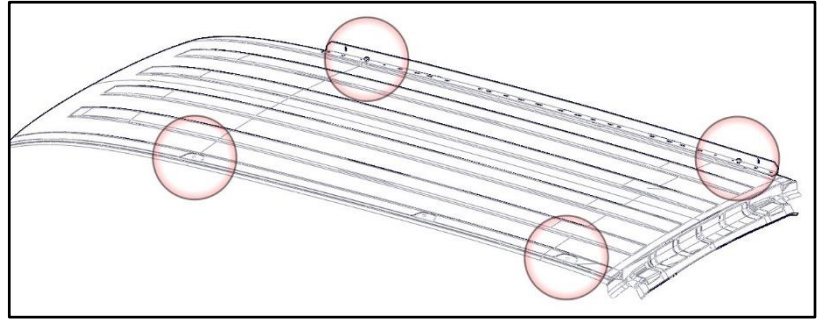


**REAR TIGHTENED**

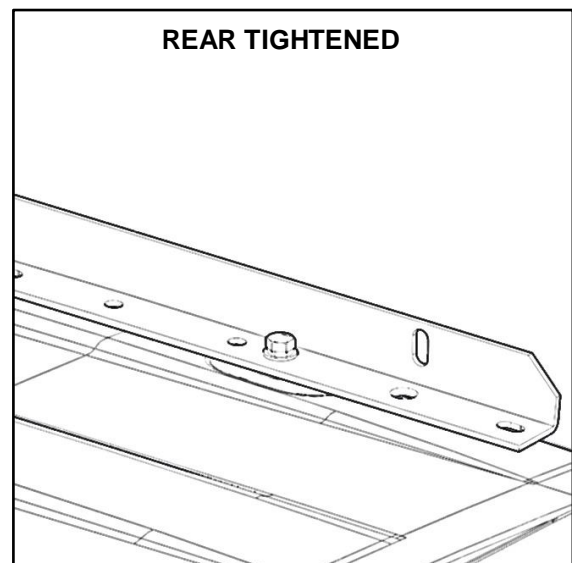
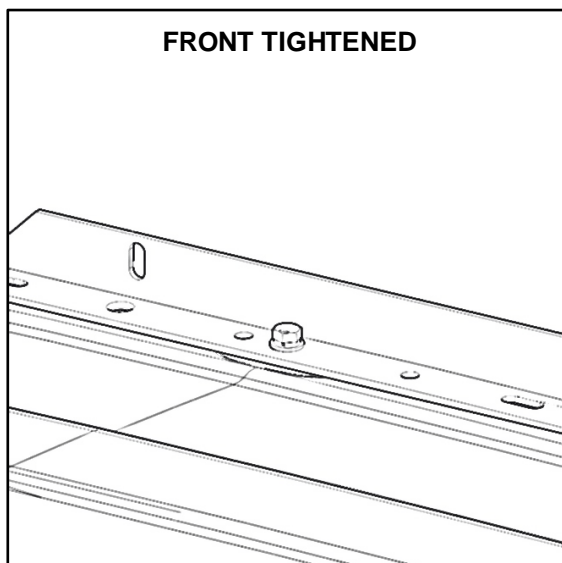
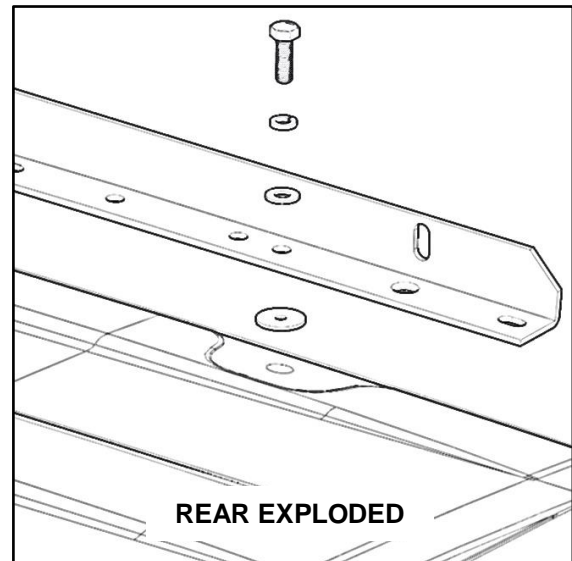
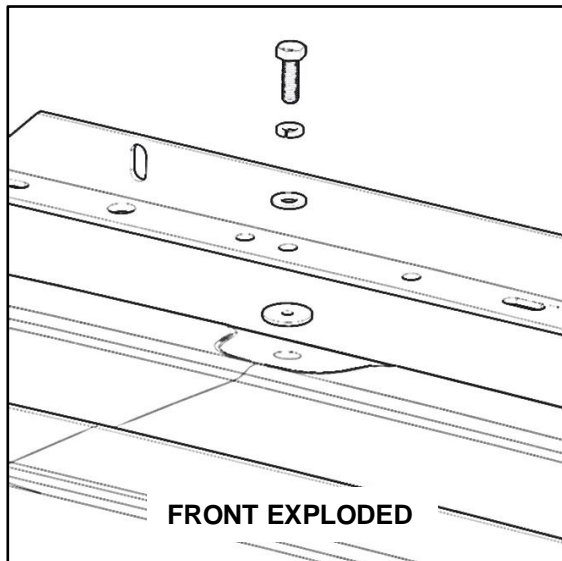
## DO NOT EXCEED MANUFACTURERS WEIGHT CAPACITY FOR ROOF.

### NV200/City Express Installation

- Locate 4 mounting locations shown on roof of van.
- Install mounting rail as shown using M8 x 25mm bolts, 5/16" lock washers and 5/16" flat washers.
- In most installs, the rail upright is to the outside of the van.
- Mount rail so there is about 1" from the rear door opening.
- Be sure to put rubber washer between the mounting rail and the roof to ensure sealing.
- Place sealant on and around threads to seal roof. (Passenger side shown)



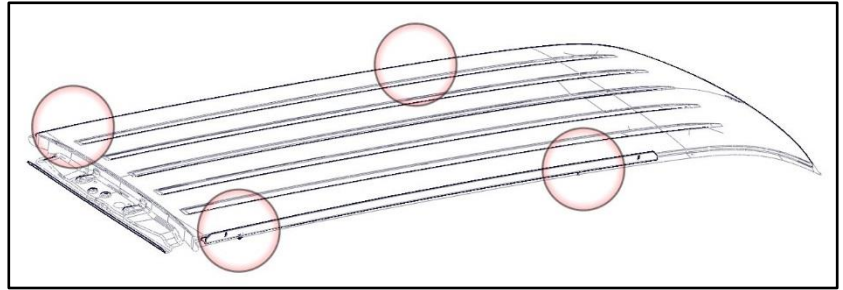
**Note: Additional M8 x 20mm flat head screws are provided if mounting of feet interferes with bolts.**



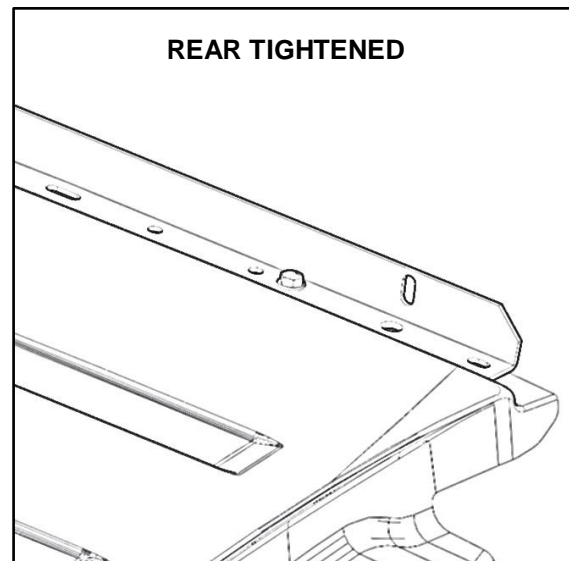
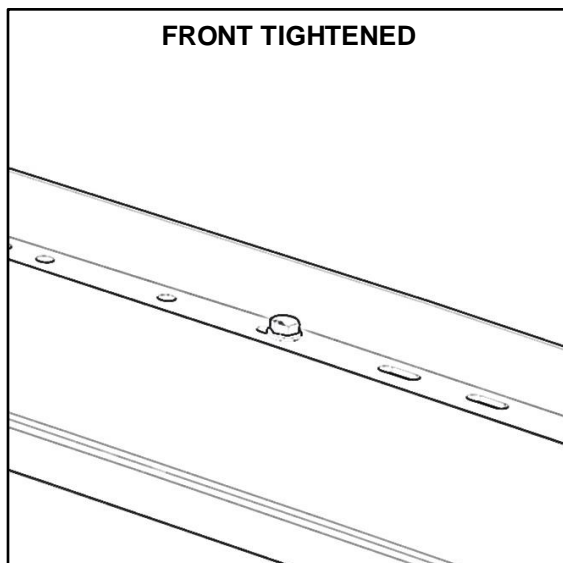
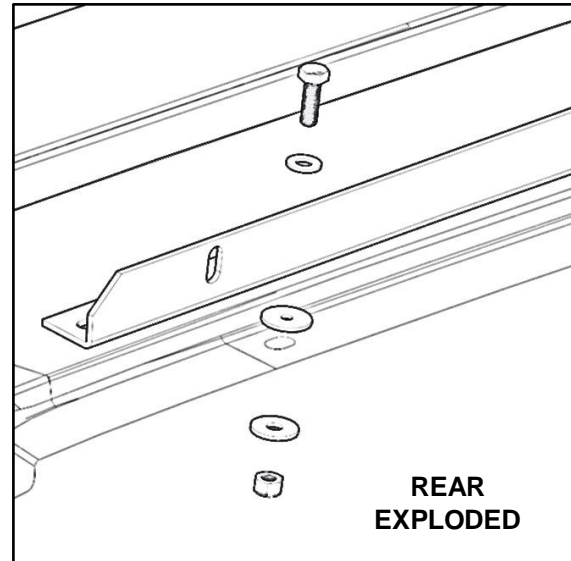
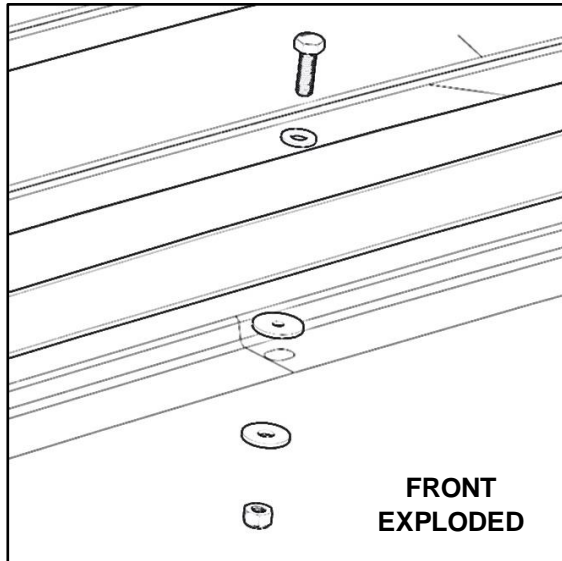
## DO NOT EXCEED MANUFACTURERS WEIGHT CAPACITY FOR ROOF.

### Transit Connect Installation

- Locate 4 mounting locations shown on roof of van.
- Be sure to put rubber washer between the mounting rail and the roof to ensure sealing. In most installs, the rail upright is to the outside of the van.
- Mount rail so there is about 1" from the rear door opening.
- Install mounting rail as shown using M8 x 25mm bolts, 5/16" flat washers on the outside. Use the 5/16" fender washer and M8 lock nut on the inside of the van.
- Place sealant on and around threads to seal roof. (Passenger side shown)



**Note: Additional M8 x 20mm flat head screws are provided if mounting of feet interferes with bolts.**

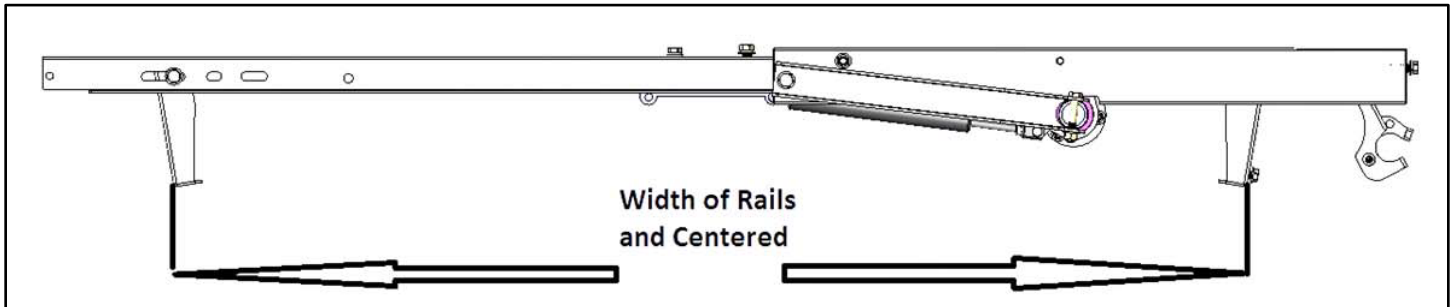




## Assembly Instructions

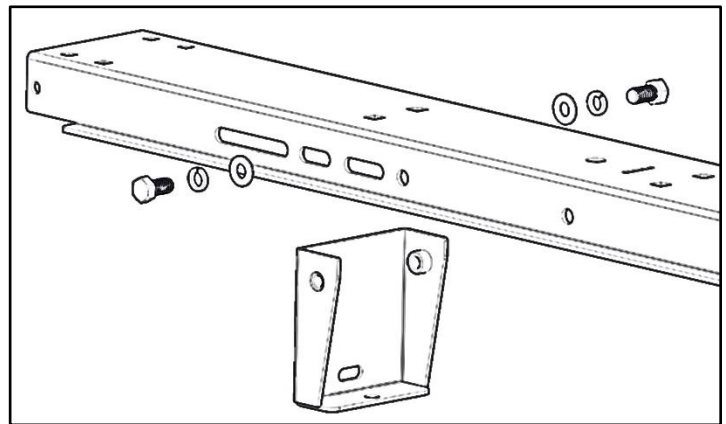
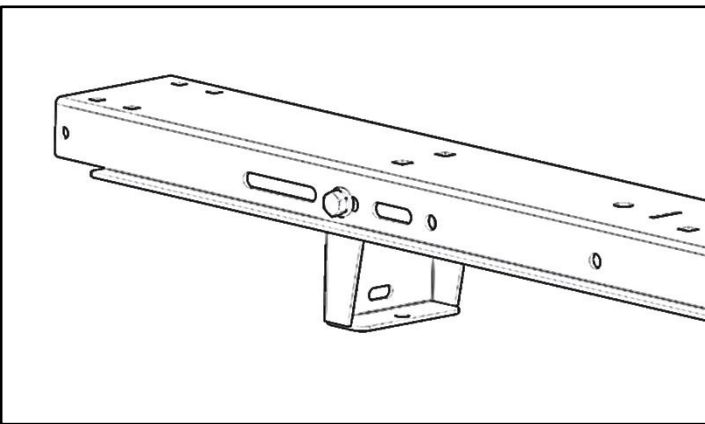
### Step 1 – Assembly of Foot

- Measure width between previously installed rails.
- On the cross bows, use the slots that correspond to the measured distance between rails.



- Bolt feet to bows as shown, **DO NOT TIGHTEN** at this point.
- Feet can be installed as shown or reverse depending on how you mounted the rail.
- Most common orientation is with the opening in the foot toward the center of the van
- Use a 3/8" x 3/4" hex head bolt, 3/8" lock washers and a 3/8" flat washer to bolt foot to crossmember. Snug Tighten, but allow movement.
- **On Passenger Side, Rotate pan out of the way to access mounting slots.**

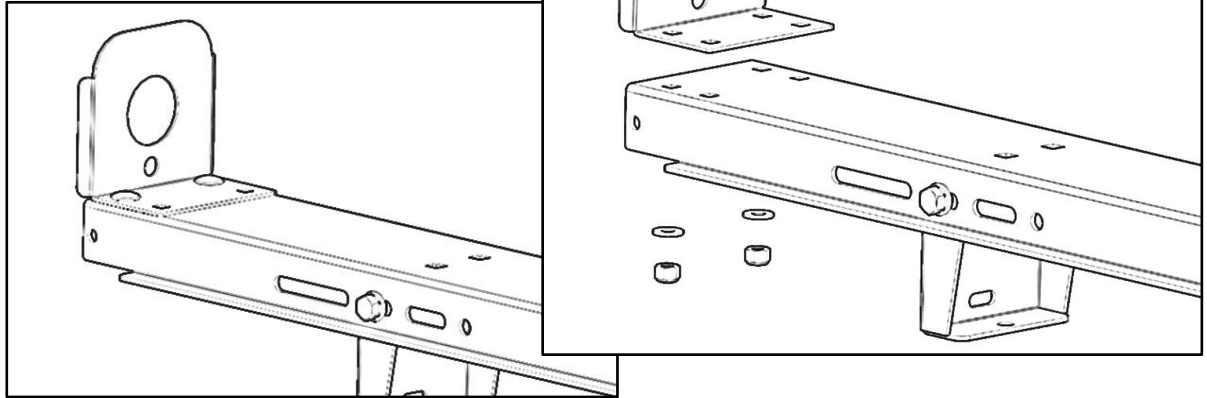
**NOTE: Driver Side Shown Below.**



## **Step 2 – Pan Hooks**

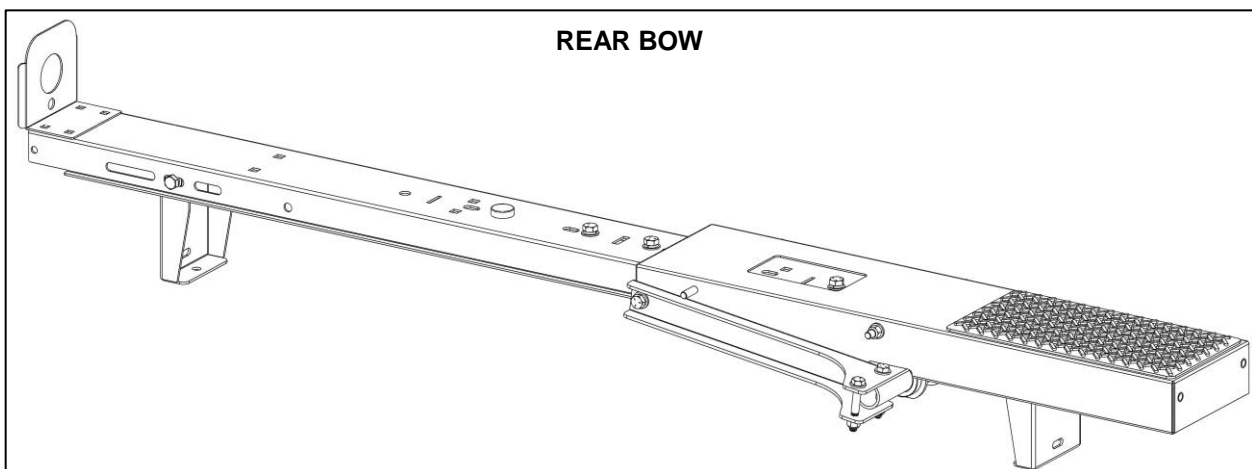
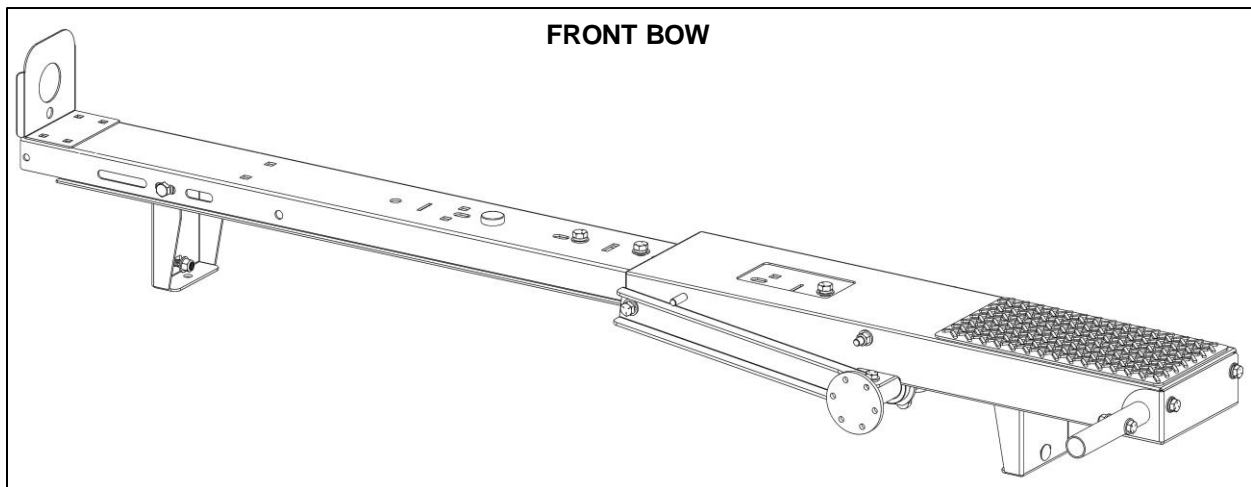
**NOTE: Skip this step if adding 4A943.**

- Use a 5/16" carriage bolts, 5/16" washers and a 5/16" lock nut to bolt pan hooks to the exposed end of each bow.
- TIGHTEN.



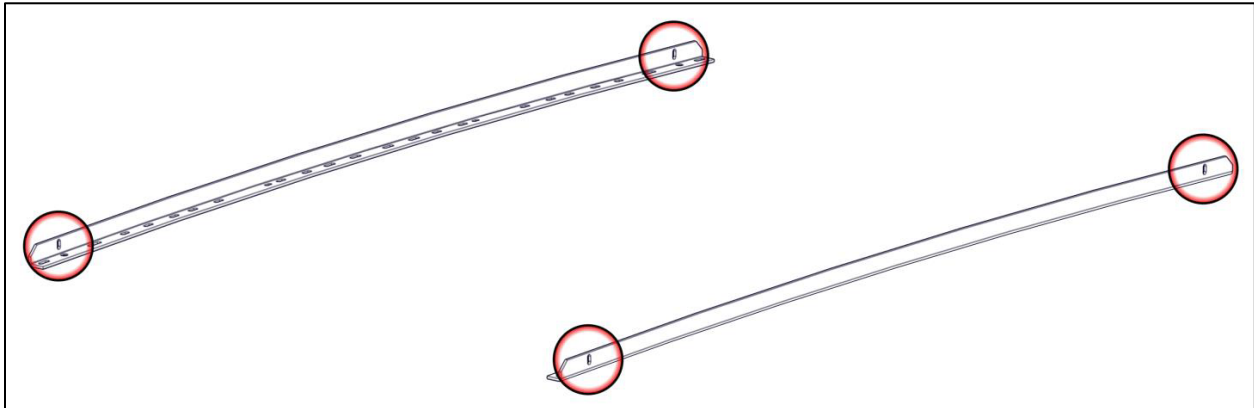
## **Step 3 – Determine Front and Rear Bows**

- Determine front and rear bow. The rear bow will have a dampening mechanism attached. Notice the location of the triangular piece

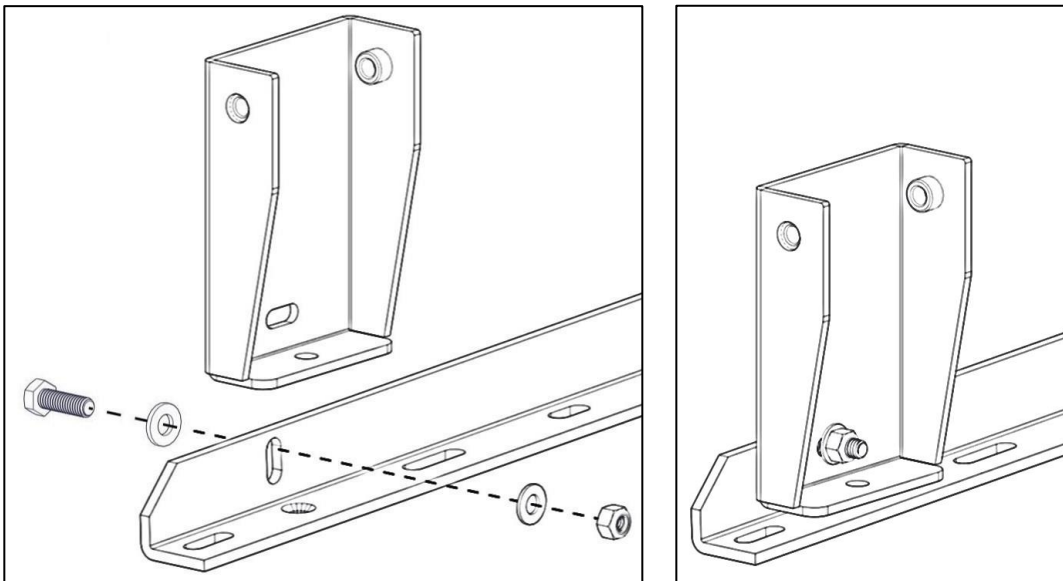


## Step 4 – Mount Feet to Rails

- Locate the four mounting locations on the mount rails as shown below.

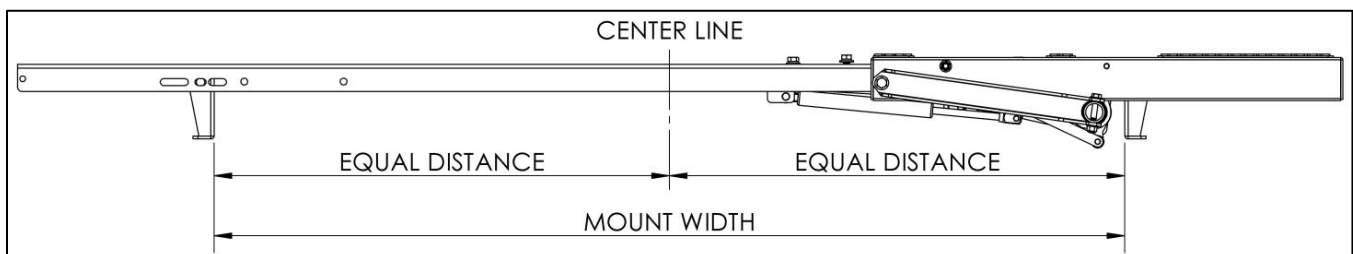


- Using 5/16" x 1" hex head bolts, 5/16" flat washers and 5/16" lock nuts, bolt the foot to the mount rail in the orientation shown.



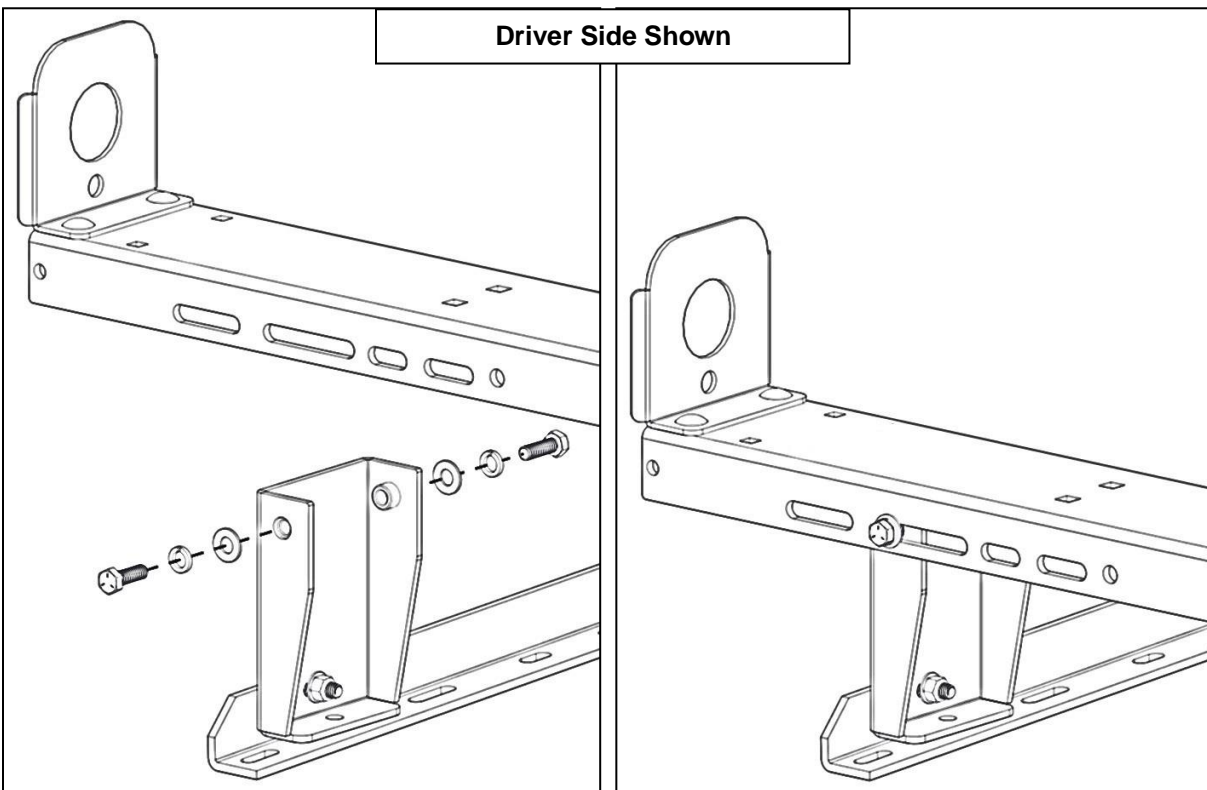
## Step 5 – Place Bows on Feet

- Place the front bow on top of the front most mounts on the vehicle and the rear bow on the rear most mounts.
- Be sure there is an equal distance from the center of the cross bow to each foot as shown below. The same slot, but on opposite ends of the bow should be used.



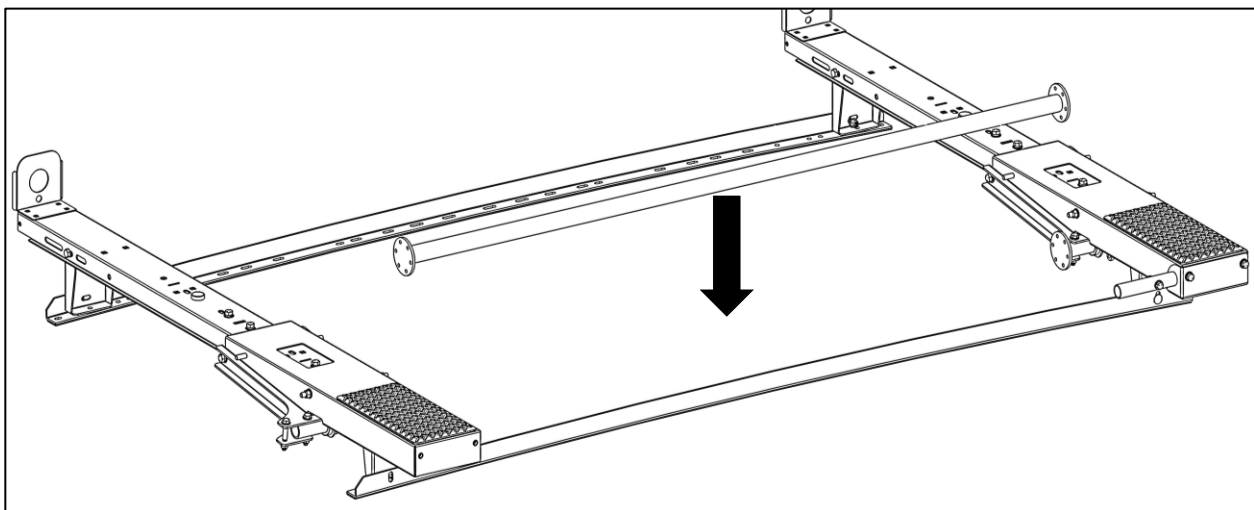
- Rotate the pan to expose the slots in the bow. Place a foam block from the packaging to hold the pan in an up position in order to access the mounting slots.

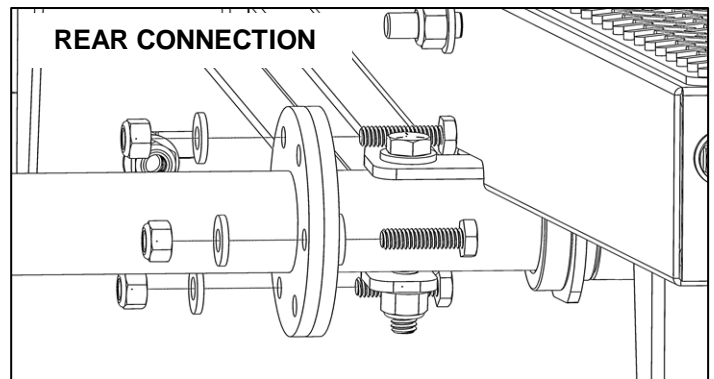
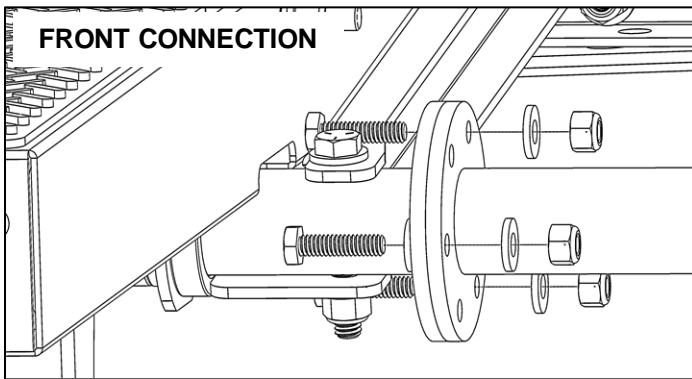
- Using 3/8" x 1" hex head bolts, 3/8" split lock washers and 3/8" flat washers, attach the bow to foot as shown.
- DO NOT tighten hardware. Leave hardware loose until the rack is assembled.
- Repeat these steps for installing remaining feet.



## **Step 6 – Install Torque Tube**

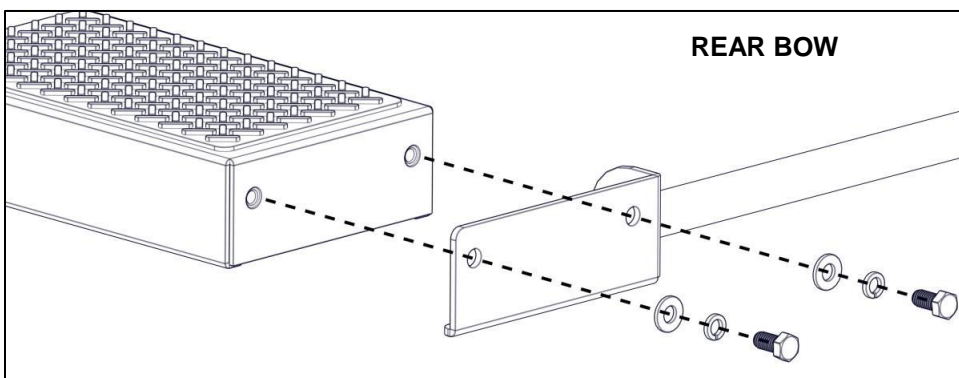
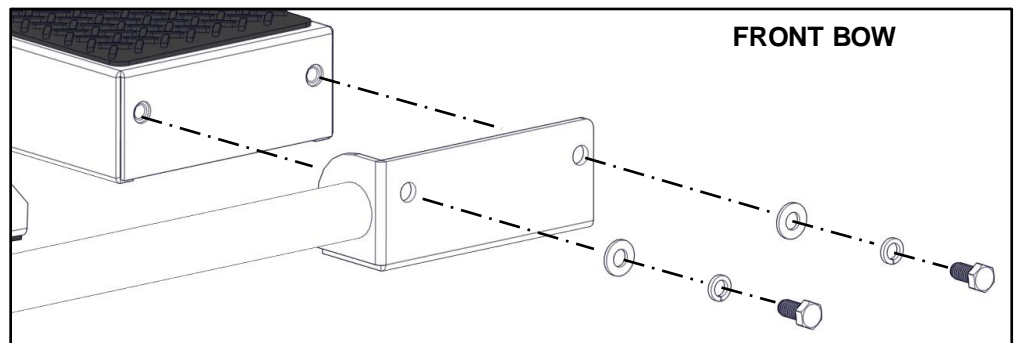
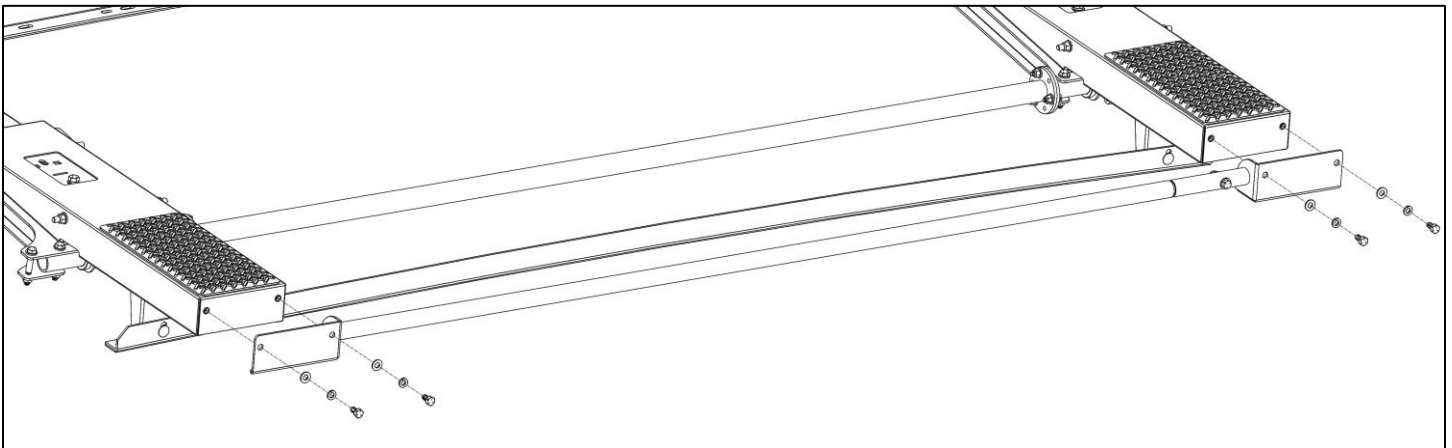
- Bolt the torque tube to the front and the rear bow using a 1/4" x 1" hex head bolt, two 1/4" flat washers and a 1/4" lock nut at each location.
- Repeat near each bow.





## Step 7 – Install Ladder Pan Stiffener

- Using 3/8" x 3/4" hex heads, 3/8" lock washers and 3/8" flat washers, install ladder pan stiffener to the end of each bows pan assembly.
- TIGHTEN.

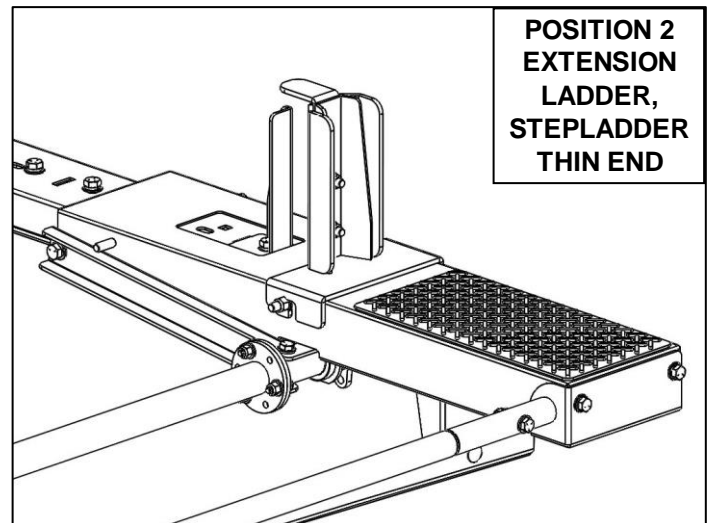
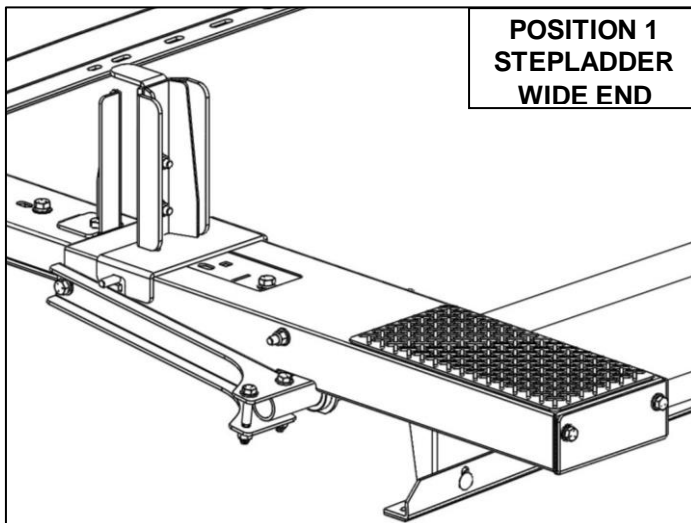
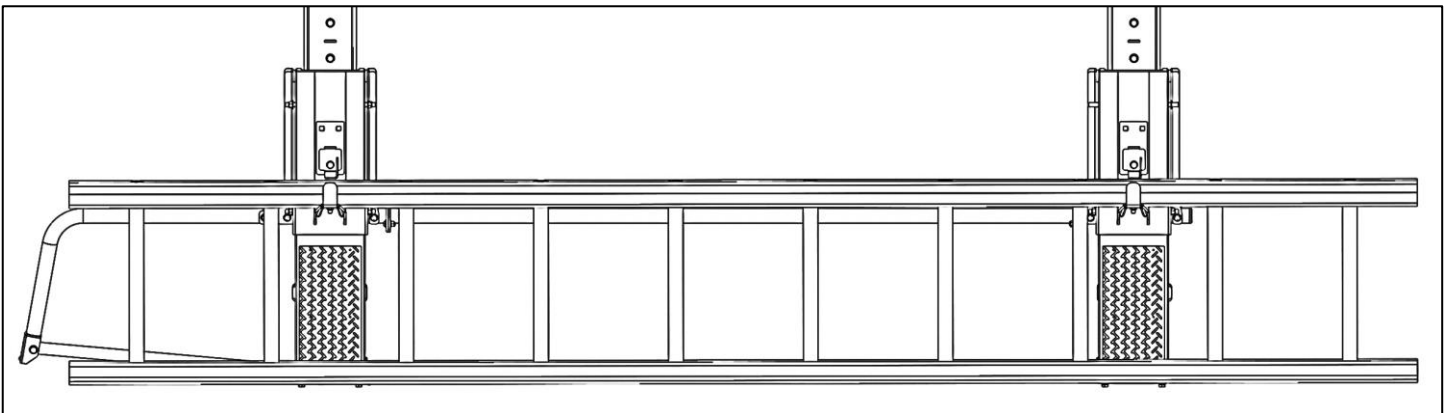
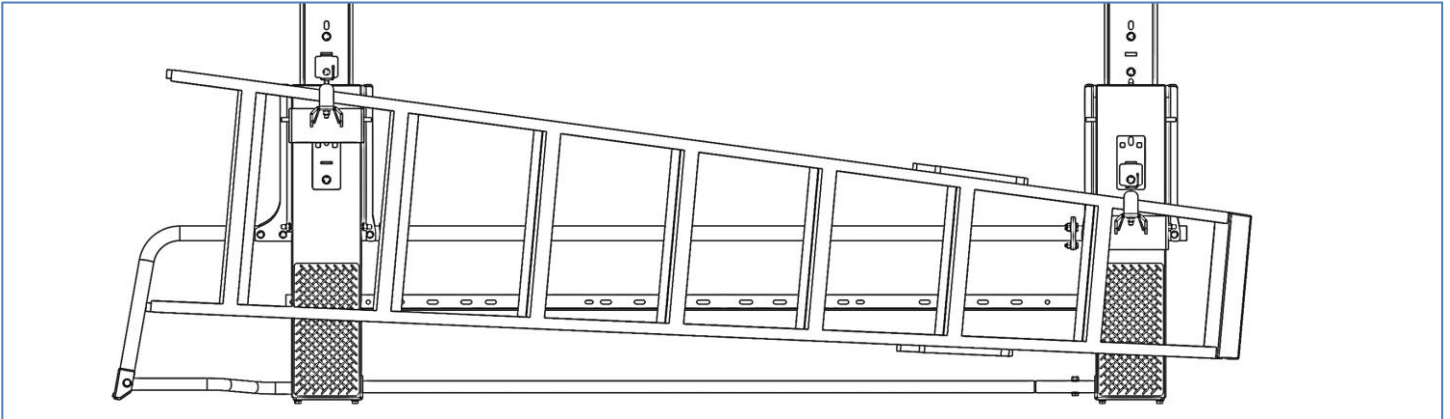


## **Step 8 – Determine Ladder Stop Locations**

NOTE: On each bow, there are two positions available for mounting the ladder stops and ladder hooks based on the size and type of ladder. Ladder stops may be installed either further inboard or further outboard, depending on the ladder to be used. It is best to determine the size and type of ladder prior to installing the ladder stops and ladder hooks. The following are examples of a typical 8 foot stepladder and 10 foot extension ladder mounted on the drop down ladder rack.

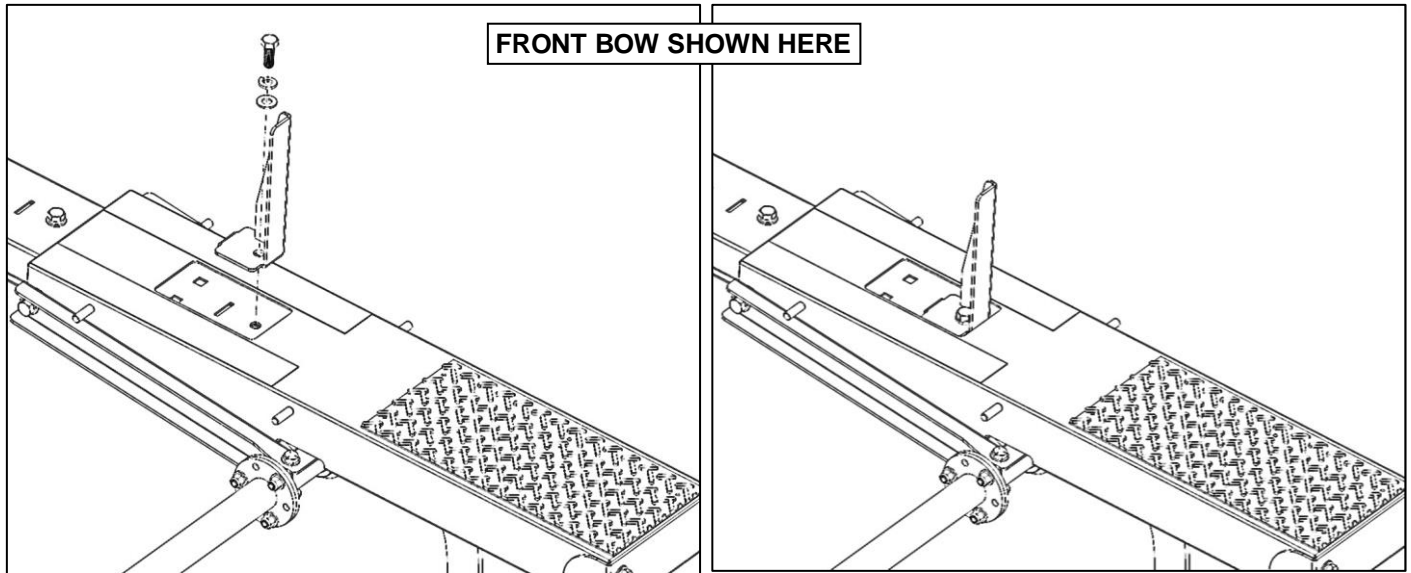
The following are the two positions available on each bow.

**NOTE: In the rare instance the upper location on the front bow needs to be used, a 3/8" bolt and lock nut will need to be used to install the ladder stop.**



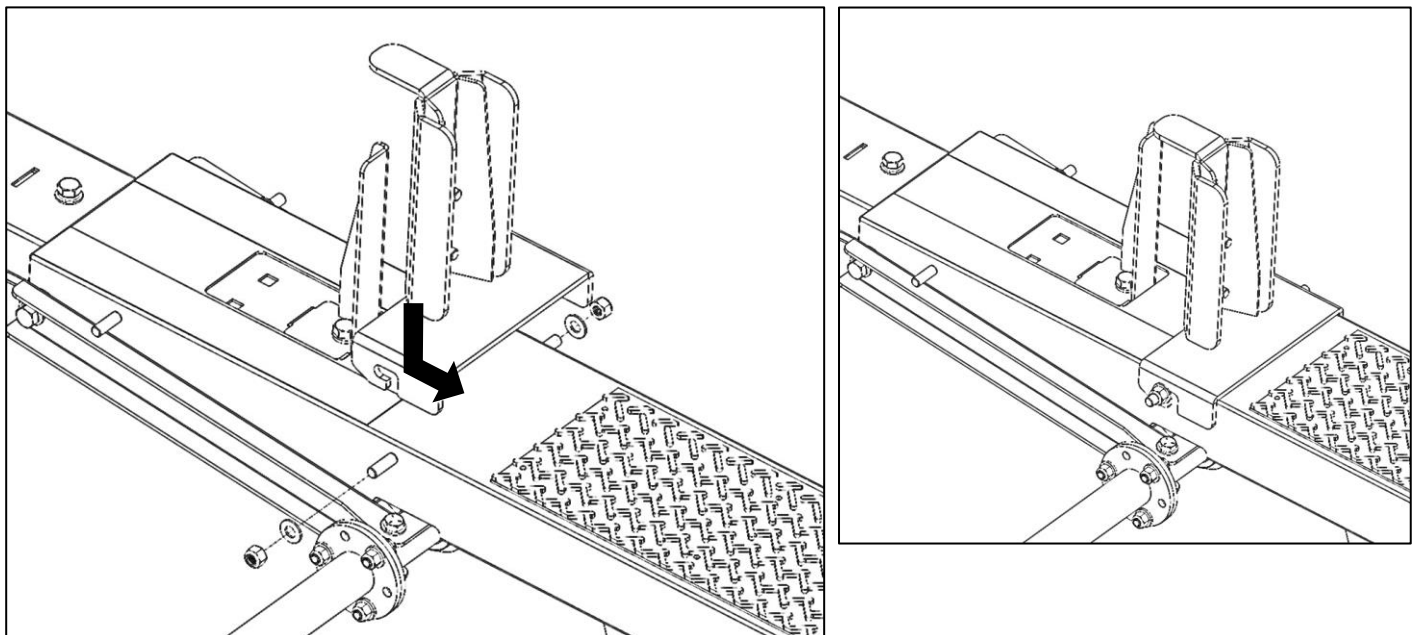
## **Step 9 – Install Ladder Stops**

- Using the hardware in the front bow, bolt ladder stop in orientation shown below. Be sure to place the tab on the ladder stop into the slot on the bow.
- Repeat for rear bow.
- TIGHTEN hardware.



## **Step 10 – Install Ladder Hooks**

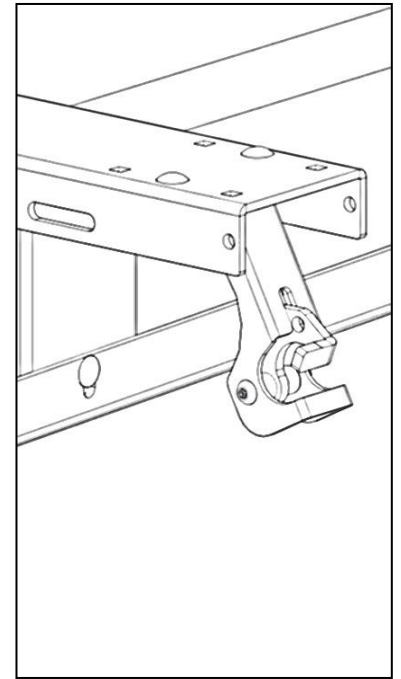
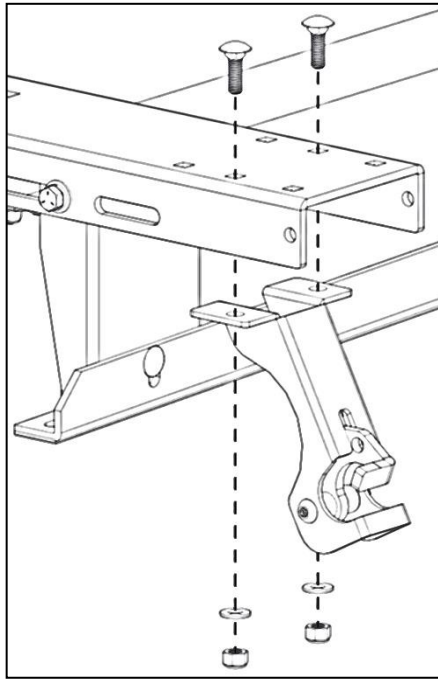
- Using the installed studs and lock nuts on both bows, loosen nuts and slide ladder hook assembly into place.
- TIGHTEN lock nuts.



## **Step 11 – Install Latch**

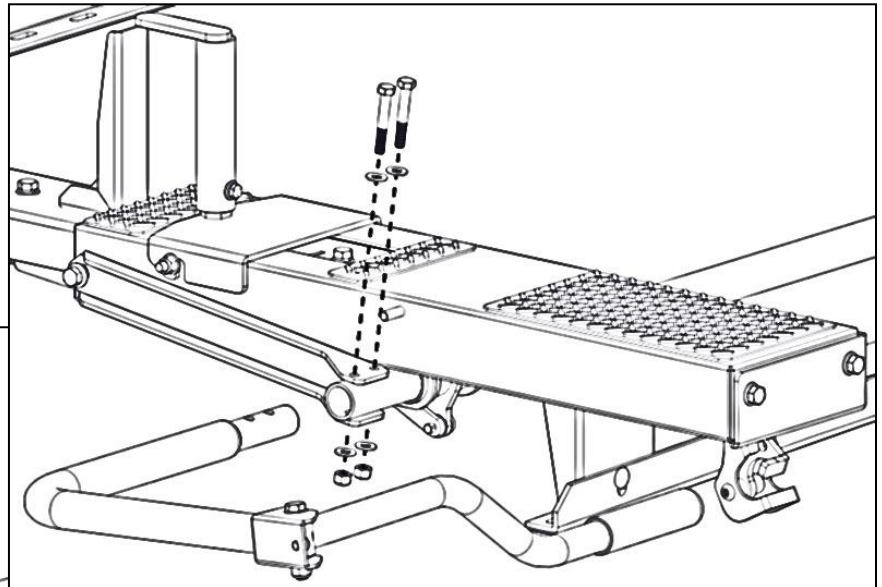
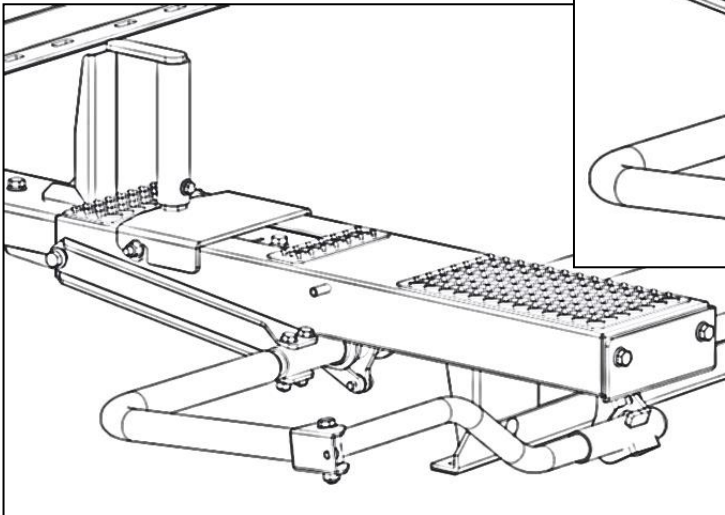
- Move rear pan assembly out of the way to expose the end of the cross member.
- Using 5/16" x 1" carriage bolts, 5/16" flat washers and 5/16" lock nuts, bolt through the middle set of square holes as shown.
- TIGHTEN.

**NOTE: Shown without pan for clarity.**



## **Step 12 – Install Handle**

- Apply sealant to swaged end of handle.
- Use the hardware in the rear bow to bolt handle into position as shown.
- TIGHTEN.



**GO BACK AND ENSURE ALL HARDWARE IS TIGHT.**  
**ASSEMBLY AND INSTALLATION ARE COMPLETE.**