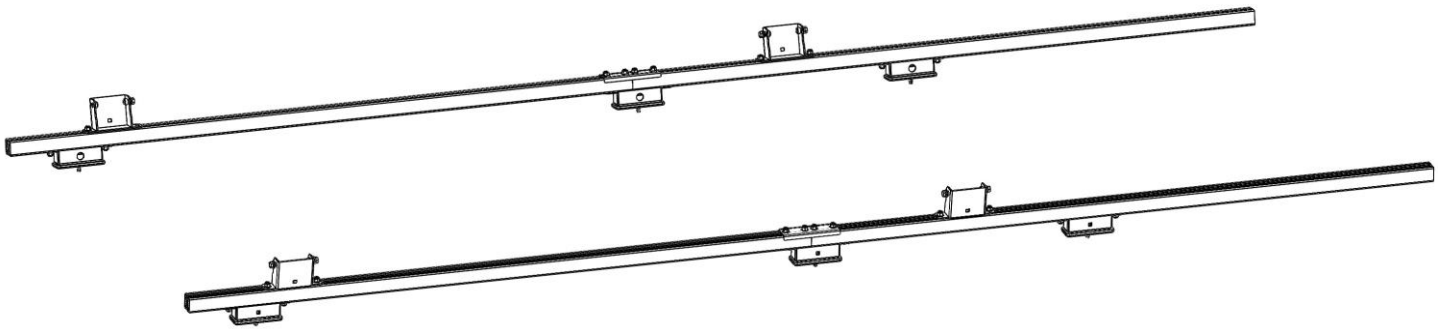




WE PUT EVERYTHING WITHIN REACH.

Instruction Guide

40918 – Transit



Kargo Master
Rancho Cordova, CA 95742
800-343-7486
CustomerService@KargoMaster.com

PLEASE READ ALL INSTRUCTIONS AND WARNINGS PRIOR TO ASSEMBLING, INSTALLING, AND USING THIS PRODUCT.

Warning



Always check for wires, fuel tanks and lines, brake lines and other important vehicle functionality items prior to drilling and installing all products.

Tools Needed

1/2" Socket and Wrench	9/16" Socket and Wrench
13mm Socket and Wrench	Tape Measure

Table of Contents

Parts 2

Hardware – Splice Plate Bolt Kit (18-40918-SP) 2

Hardware – Foot Bolt Kit (18-409180-FT) 3

Hardware – Transit Bolt Kit (18-4A818-T) 4

Step 1 – Combine Extrusions 5

Step 2 – Find Mount Locations on Roof of Van 6

Step 3 – Install Mount Block 6

Step 4 – Install Extrusion 7

Step 5 – Install Feet 8


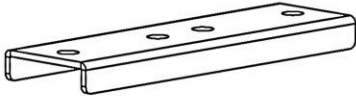
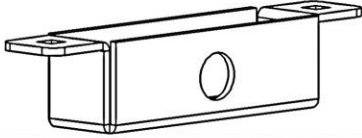
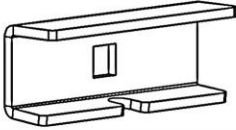
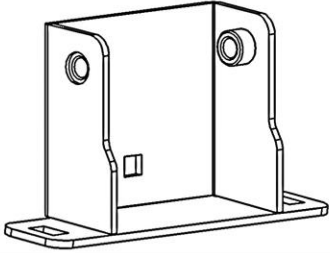
Step 6 – Mount Feet to Rack 9

Step 7 – Adjust Rail Length 9

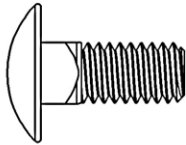
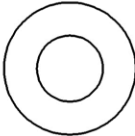


Before You Begin

- Read all instructions prior to assembling or installing any Kargo Master product.
- Find your truck cap roof mounting locations prior to rack assembly.
- **The standard distance between the front and rear bow is 71.5" or 96". This can vary, but be sure the rack is assembled prior to installing mounts on vehicle.**
- **This is a universal mounting kit. Hardware for different vehicles is included. There will be extra hardware remaining after installation.**

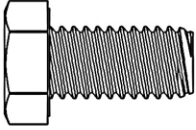
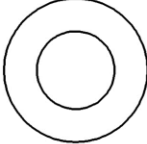
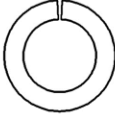
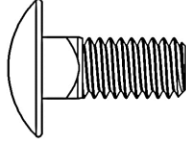
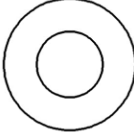

Parts

NO.	ITEM	PART NUMBER	DESCRIPTION	QTY.
1		40918-00-001	EXTRUSION	4
2		40918-00-006	SPLICE PLATE	2
3		40918-00-003	MOUNT BLOCK	6
4		40918-00-005	PM MOUNT CLIP	6
5		40918-10	COMMERCIAL CAP FOOT ASSEM	4
6		18-40918-FT	FOOT BOLT KIT	1
7		18-40918-SP	SPLICE PLATE BOLT KIT	1
8		18-4A818-T	TRANSIT BOLT KIT	1
9		18-40818-NV	NV BOLT KIT	1
10		18-40818-S	SPRINTER BOLT KIT	1

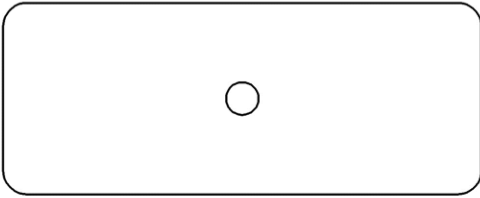
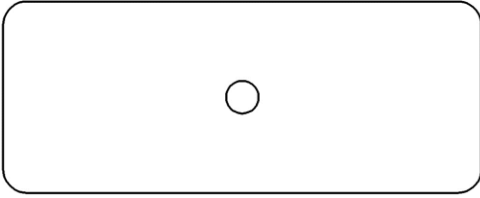
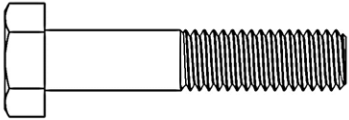
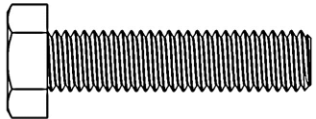
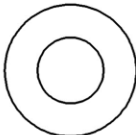
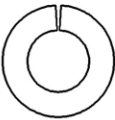
Hardware – Splice Plate Bolt Kit (18-40918-SP)

ITEM	HARDWARE TO SCALE	PART NUMBER	DESCRIPTION	QTY.
1		21810	5/16"-18 X 3/4" CARRIAGE BOLT	8
2		33080	5/16" WASHER	8
3		0169777	5/16"-18 LOCK NUT	8
4		92620A591	5/16" x 1-1/2" Threaded Stud	2

Hardware – Foot Bolt Kit (18-40918-FT)

ITEM	HARDWARE TO SCALE	PART NUMBER	DESCRIPTION	QTY.
1		11241196	3/8"-16 X 3/4" HEX HEAD BOLT	8
2		1133082	3/8" WASHER	8
3		1133622	3/8" LOCK WASHER	8
4		21810	5/16"-18 X 3/4" CARRIAGE BOLT	20
5		33080	5/16" WASHER	20
6		0169777	5/16"-18 LOCK NUT	20

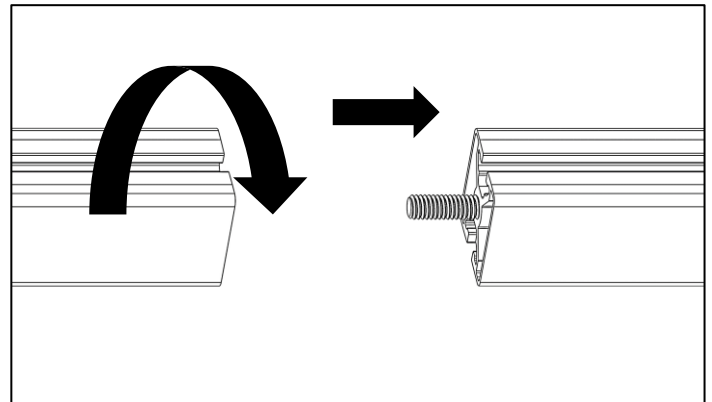
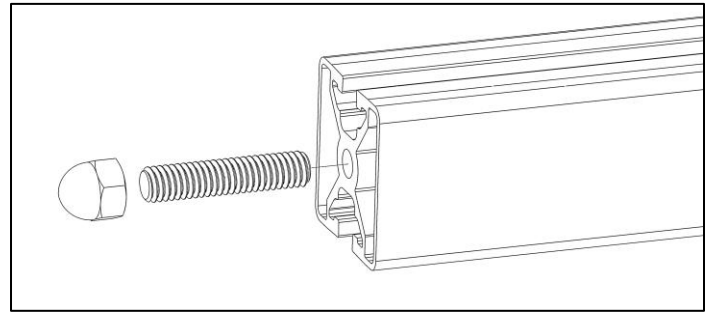
Hardware – Transit Bolt Kit (18-4A818-T)

ITEM	HARDWARE TO SCALE	PART NUMBER	DESCRIPTION	QTY.
1		T249-02	UV Resistant EPDM (1:2 Scale)	6
2		T250-01	Transit Roof Plate (1:2 Scale)	6
3			M8 x 1.25 x 40mm Hex Head Bolt	6
4		0158989	M8-1.25 X 35MM HEX HEAD BOLT	6
5		33080	5/16" WASHER	6
6		1171067	5/16" LOCKING WASHER	6

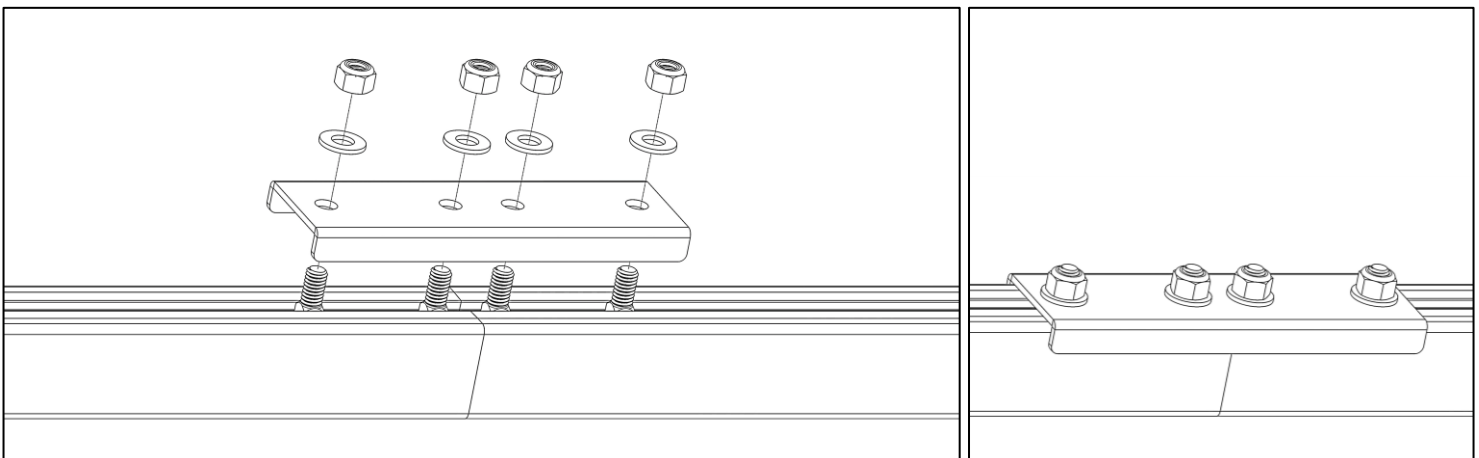
DO NOT EXCEED MANUFACTURERS WEIGHT CAPACITY FOR ROOF

Step 1 – Combine Extrusions

- Thread threaded stud into center hole of one end of one extrusion. Using either a cap nut or two nuts on the end of threaded stud will aid in threading the stud into the extrusion.
- Screw the other extrusion onto the other end of threaded stud.

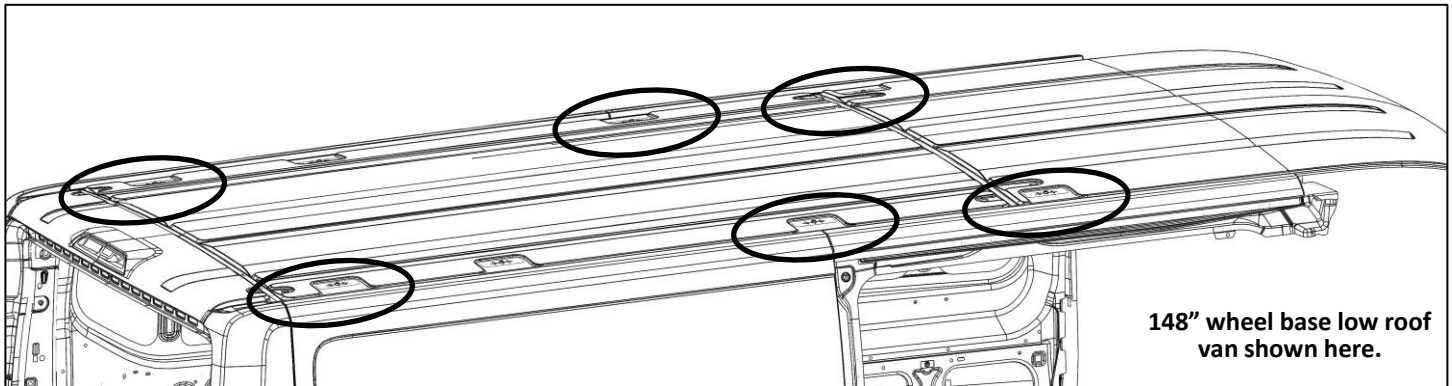


- Slide two 5/16" x 3/4" carriage bolts into the end of each rail.
- Set the splice plate over the four carriage bolts.
- Using four 3/8" washers and four 3/8" lock washers, fasten the splice plate to the extrusions. Be sure the splice plate is centered over the two extrusions.
- Tighten.
- Repeat for other two extrusions.



Step 2 – Find Mount Locations on Roof of Van

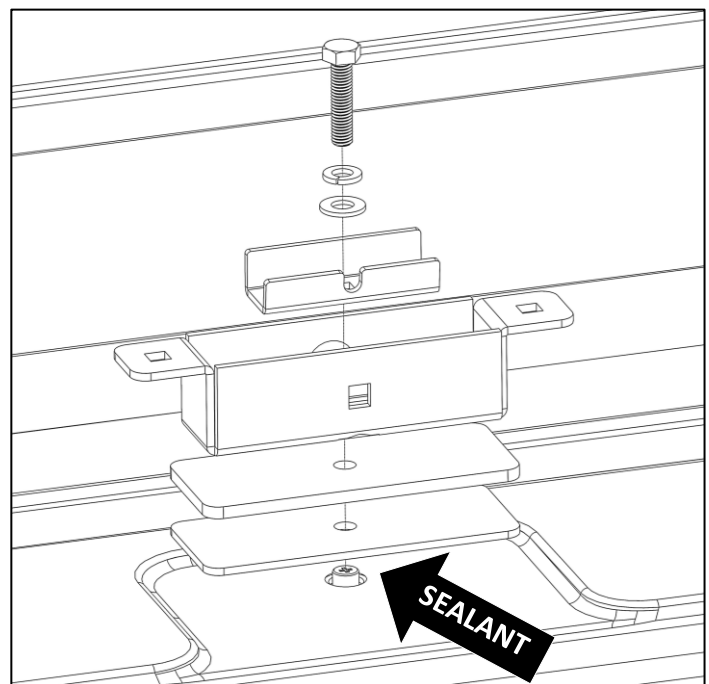
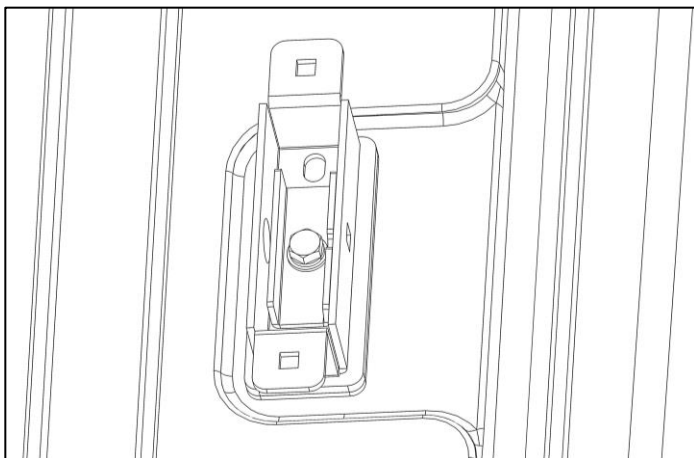
- Locate 6 mounting locations on each side of van. These are mounting blocks installation locations.
- Remove plugs from roof.



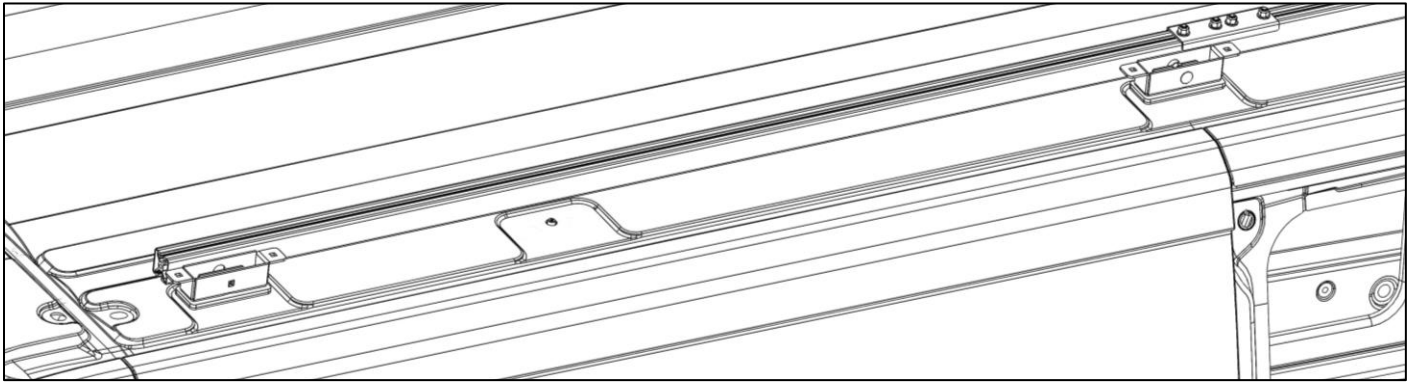
Step 3 – Install Mount Block

Due to variations in vehicle manufacturing, extra M8 x 40mm hex head bolts have been supplied in case the M8 x 35mm bolts are too short to get secure grip.

- Apply sealant around M8 x 35mm hex head bolt and factory installed threaded hole.
- Using M8 x 35mm hex head bolt, 5/16" lock washer, and 5/16" flat washer, bolt through PM mount clip, mount block, T250-01 roof plate, and T249-02 rubber pad and into the factory installed threaded holes in the roof. Be sure the bolt is through the square hole in the PM mount clip.
- Loosely tighten but allow for movement.
- Repeat for other two locations on same side of vehicle.

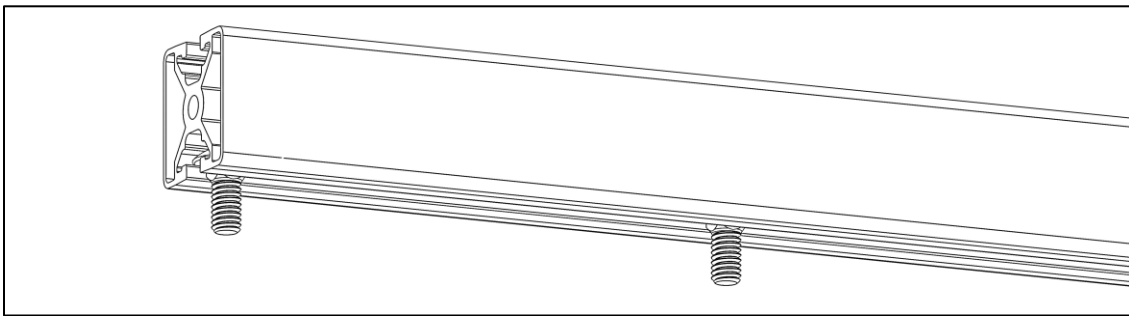


- Hold preassembled extrusion against sides of mount block to align mount blocks.
- Keeping mount blocks aligned, tighten hardware to secure mount block to roof.
- Repeat for opposite side.

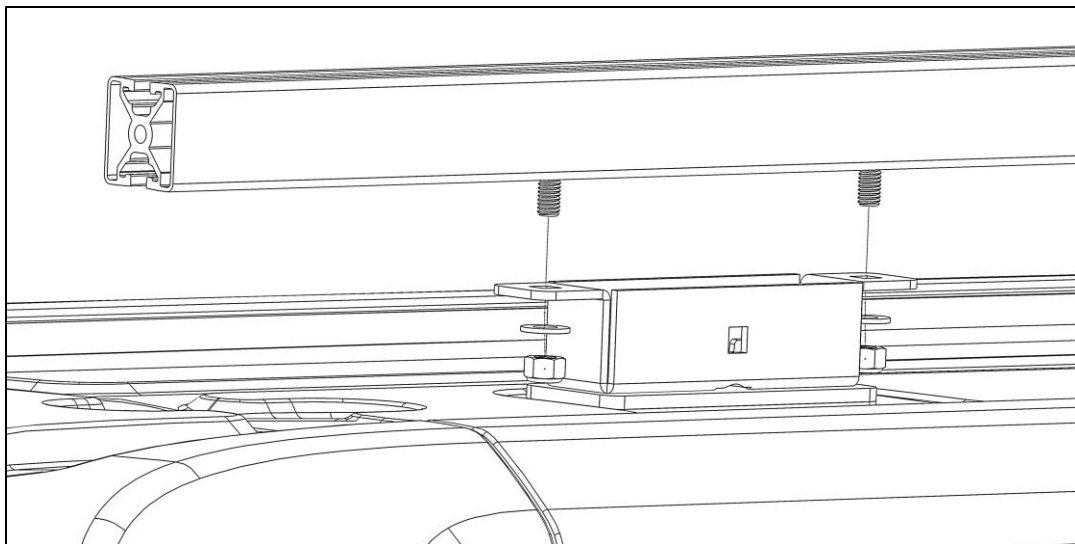


Step 4 – Install Extrusion

- For each mounting block, slide two 5/16" x 3/4" carriage bolts into the bottom slot of the extrusion.



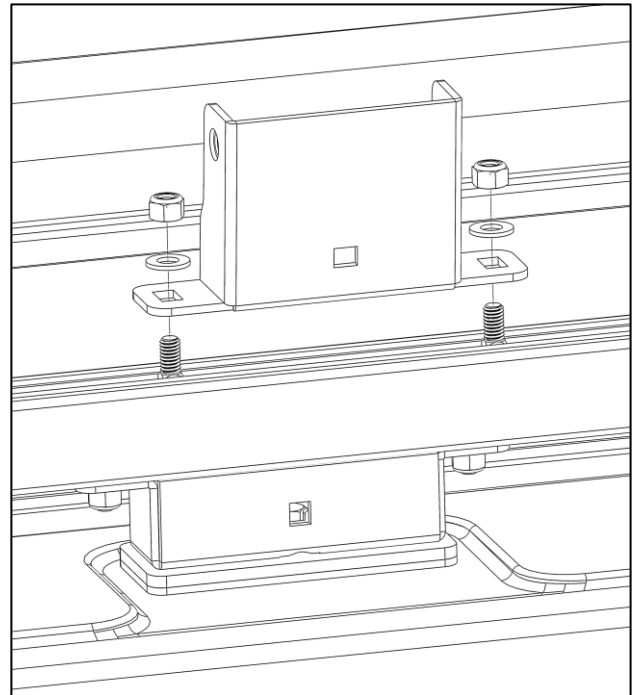
- Set extrusion onto mounting blocks aligning carriage bolts with mounting blocks.
- Using two 5/16" washers and 5/16" lock nuts, bolt extrusion to mounting blocks.
- Loosely tighten.
- Repeat on opposite side.



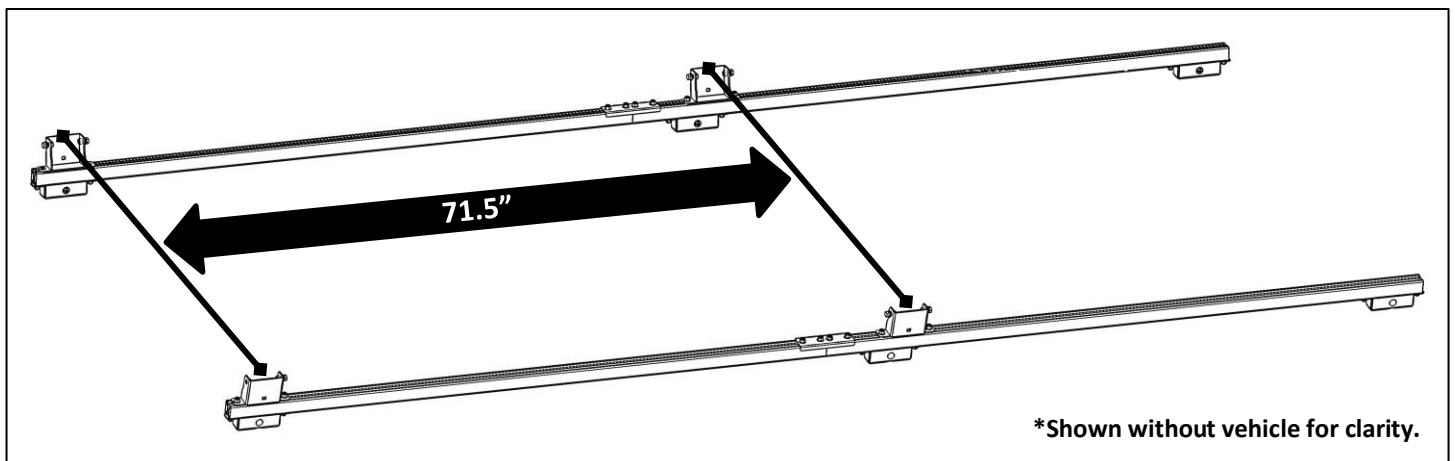
Step 5 – Install Feet

Depending on the rack to be installed, the feet will be either center-to-center 71-1/2" apart or 96" apart.

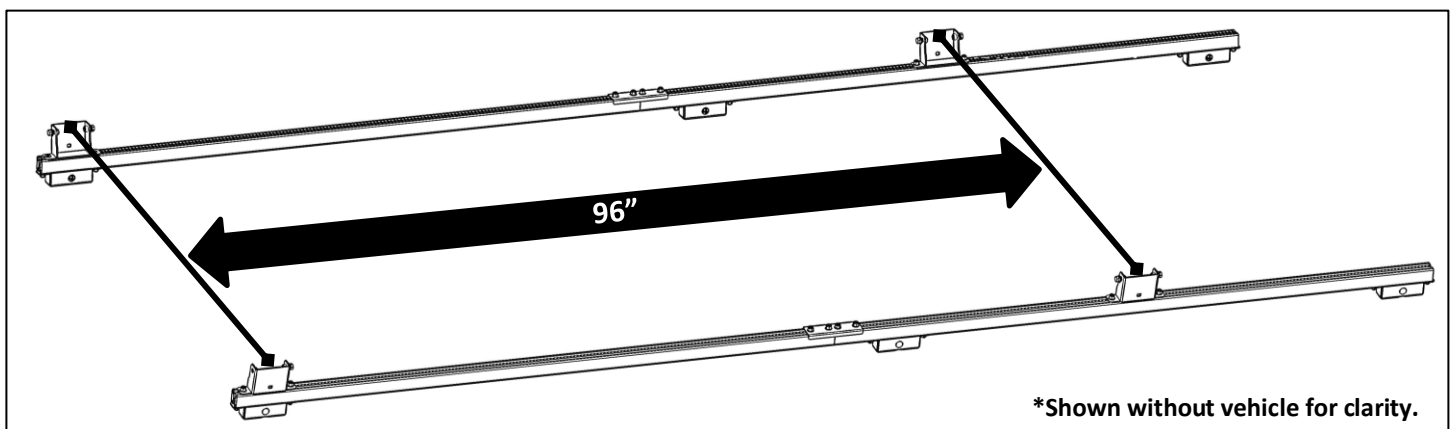
- For each foot, slide two 5/16" x 3/4" carriage bolts into the top slot of the extrusion.
- Set foot onto extrusion aligning carriage bolts with mounting blocks.
- Using two 5/16" washers and 5/16" lock nuts, bolt extrusion to mounting blocks.
- Snug tighten but allow for movement. Feet location will be adjusted when installing ladder rack.
- Repeat on opposite side.



Example of feet 71-1/2" apart.



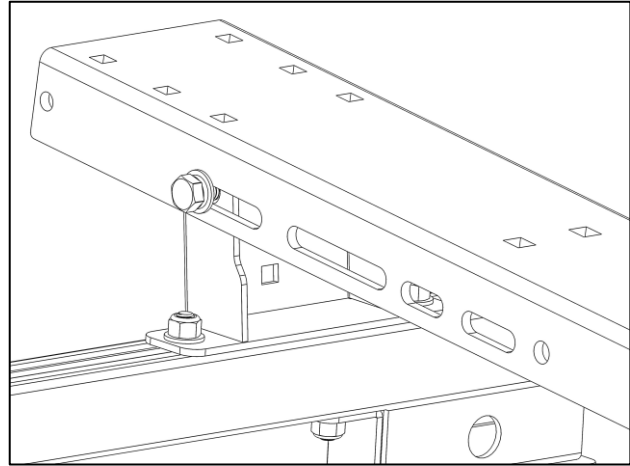
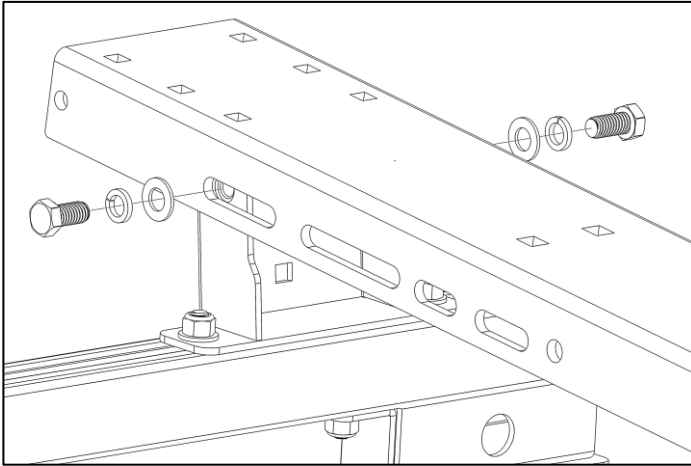
Example of feet 96" apart.



Step 6 – Mount Feet to Rack

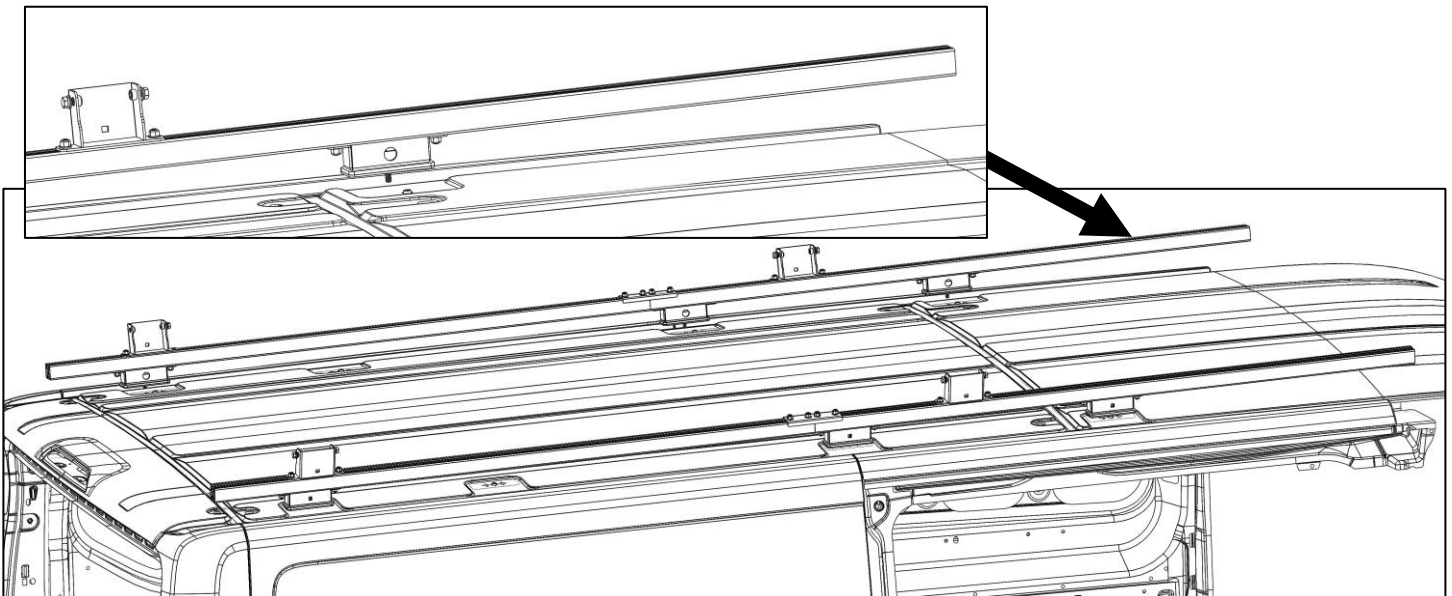
The hardware for installation of rack to feet is included with this kit.

- Follow the rack installation instructions to mount rack to feet.
- Attach rack to feet using the two 3/8" x 3/4" hex head bolts, two 3/8" lock washers, and two 3/8" flat washers provided.



Step 7 – Adjust Rail Length

- For shorter wheelbase vehicles, it may be desirable to cut off a length of the rail. It is best to determine desired length after rack installation and placement of feet at the distance apart required by the rack to be installed.



GO BACK AND TIGHTEN ALL HARDWARE.

DO NOT OVERTIGHTEN nuts securing PM mount clips to T-studs.

INSTALLATION AND ASSEMBLY ARE COMPLETE.