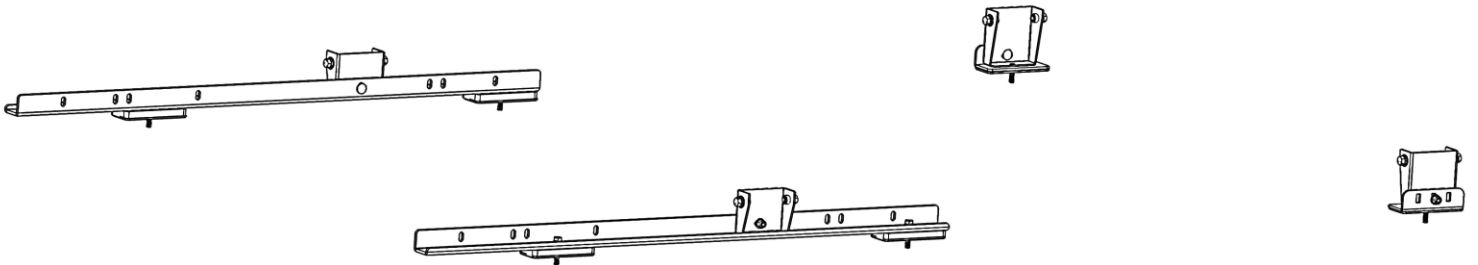


# Holman

---

## Installation Guide 408TC

---



---

Holman  
Rancho Cordova, CA 95742  
800-343-7486  
InstallationSupport@Holman.com

---

**\*PLEASE READ ALL INSTRUCTIONS AND WARNINGS PRIOR TO ASSEMBLING, INSTALLING, AND USING THIS PRODUCT.\***

## Warning



Always check for wires, fuel tanks and lines, brake lines and other important vehicle functionality items prior to drilling and installing all products.

## Tools Needed

13mm Wrench and Socket	1/2" Wrench and Socket
5mm Allen Hex	9/16" Wrench and Socket

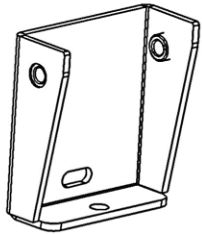
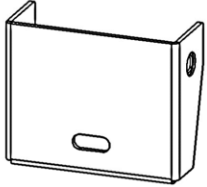

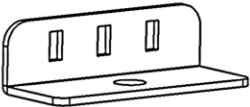

## Table of Contents

Parts List .....	2
Hardware List .....	3
<u>Ford Transit Installation</u>	
Step 1 – Rear Foot Mounting (exclude EXT) .....	4
<u>130" Wheelbase</u>	
Step 2A – 130" WB Front Mount .....	5
<u>148" Wheelbase</u>	
Step 2B – 148" WB Front Mount .....	7
<u>EXT Installation</u>	
Step 3A – EXT Rear Foot Mounting .....	9
Step 3B – EXT Front Mount .....	10
<u>Installation on Van</u>	
Step 4 – Installing Feet to Rack .....	11
Step 5 – Installing Rack to Van .....	12

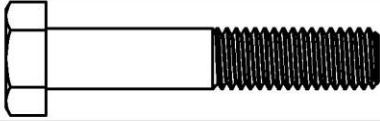
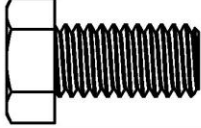

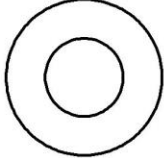
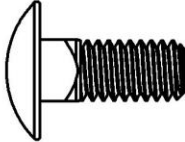

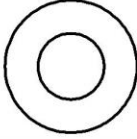

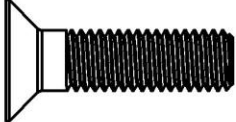
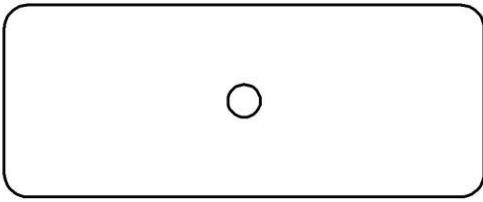
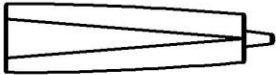
## Before You Begin

- Read ALL instructions prior to installing any Holman product.
- Feet mount locations will vary based on size of van and rack type.
- **When installing on Ford Transit, be sure to put sealant around exposed threads in roof.**
- **Seal between the roof and the rubber pad.**
- **Put some on the threads of the bolt going into roof.**

## Parts

ITEM NO.	ITEM	PART NUMBER	DESCRIPTION	QTY.
1		40800-17	TALL FOOT	2
2		408TC-10	SHORT FOOT	2
3		4A901-10-001	FRONT RAIL	2
4		4A9ST-00-001	RR BRACKET	2
5		T249-01	T-249 PLATE	4
6		18-408TC	HARDWARE KIT	1

## Hardware

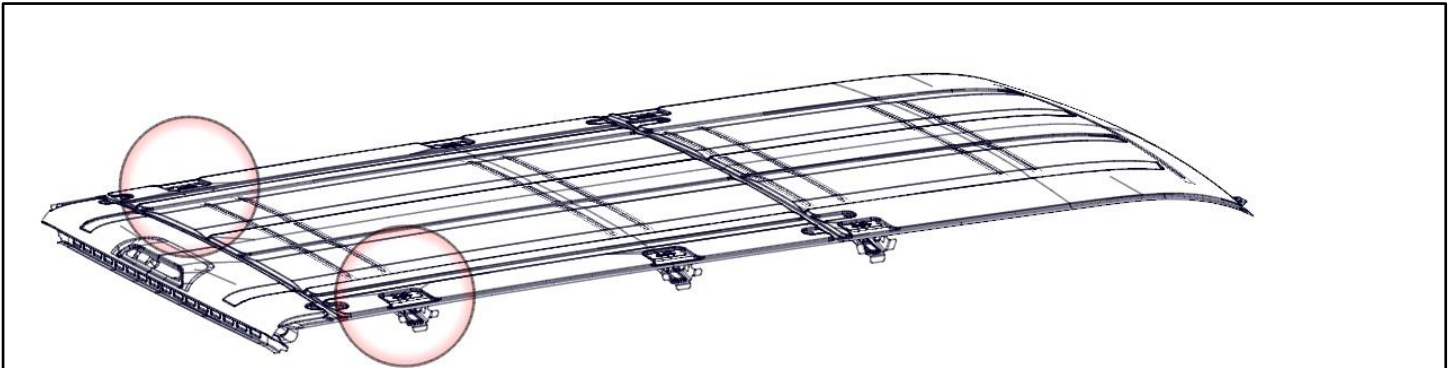
ITEM NO.	TO SCALE	PART NUMBER	DESCRIPTION	QTY.
1		95327A569	M8 x 45mm Hex Head	4
2		92865A622	3/8" x 3/4" Hex Head	8
3		91102A760	3/8" Split Lock Washer	8
4		90126A031	3/8" Flat Washer	8
5		90185A581	5/16"-18 x 3/4" Carriage Bolt	4
6		95615A160	5/16" Nyloc	4
7		90850A150	5/16" Flat Washer	8
8		91104A030	5/16" Split Lock Washer	4
9		91263A845	M8 x 30mm Flat Head	2
10		T249-02	EPDM Rubber 3MM Scale 1:2	6
11		BH-821	SEALANT	1

## Ford Transit (EXCLUDING High Roof EXT)

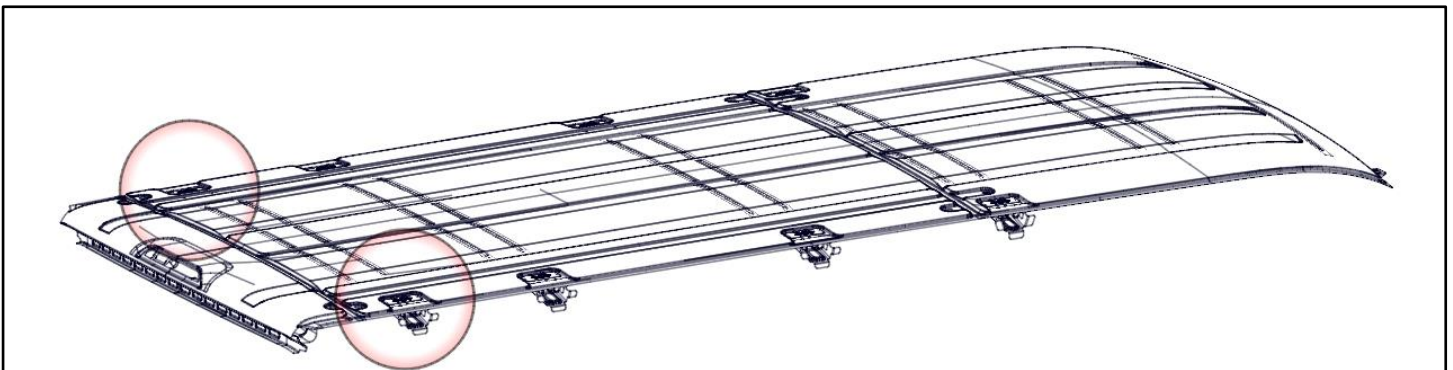
### Step 1 - Rear Foot Mounting

- Locate threaded emboss at rear of van. Plugs will need to be removed.

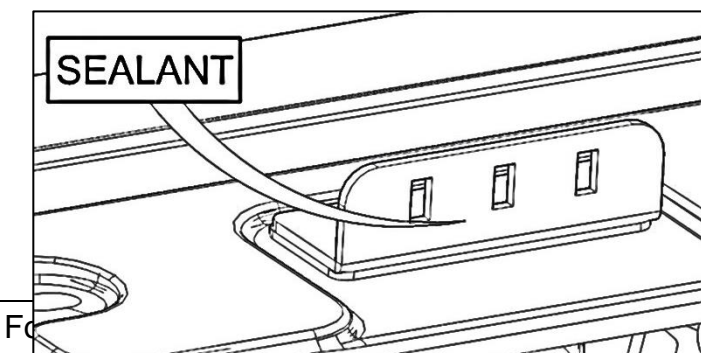
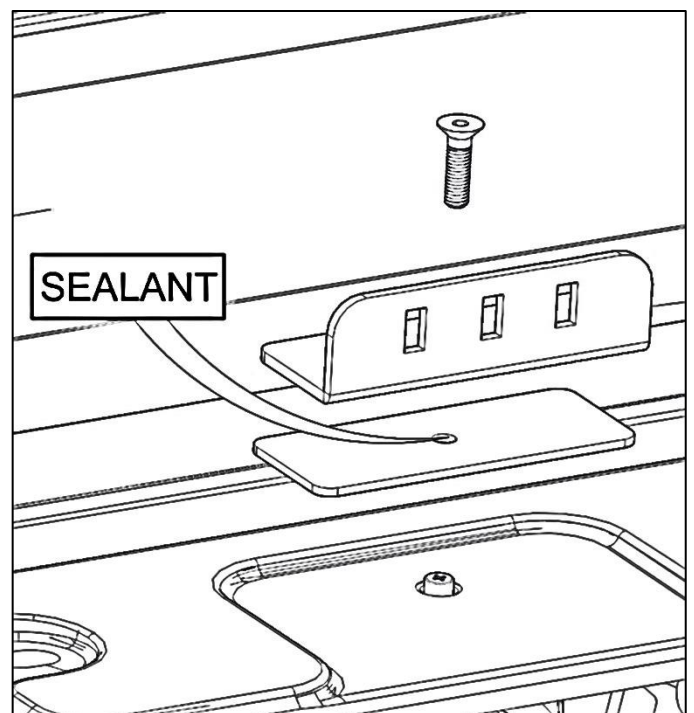
#### 130" Wheel Base



#### 148" Wheel Base

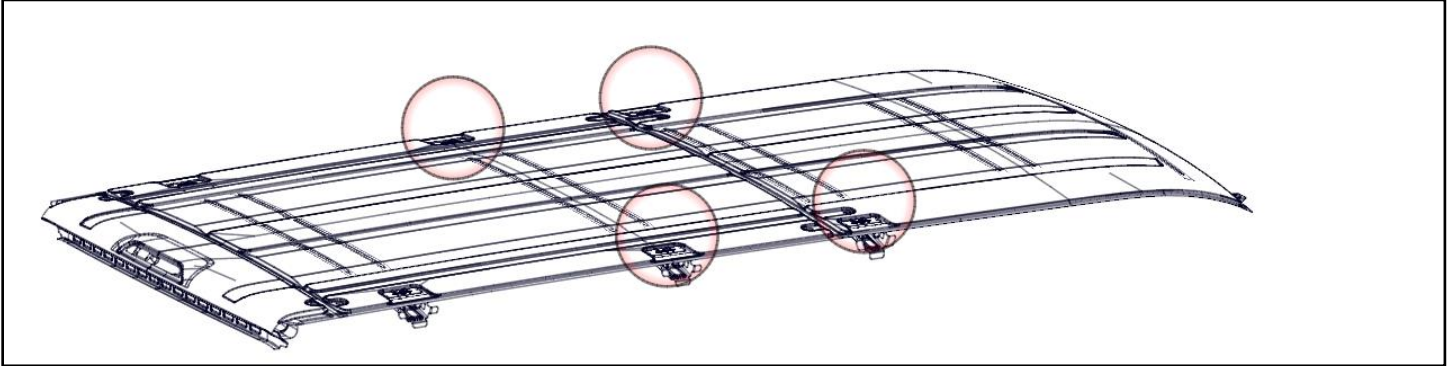


- Mount the rear mount bracket with M8 x 30mm Flat Head bolts. Place rubber pad between the bracket and the roof of the van. Place the bracket parallel with the length of the van.
- Have the flange on the bracket towards the outside of the van as shown.
- Passenger side shown, repeat on driver side.
- **Be sure to place sealant around the threads and under the rubber pad to ensure no water can leak into the cabin of the van.**
- Tighten.

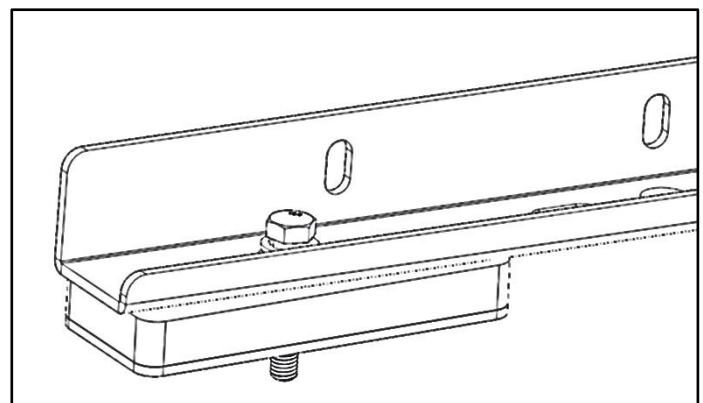
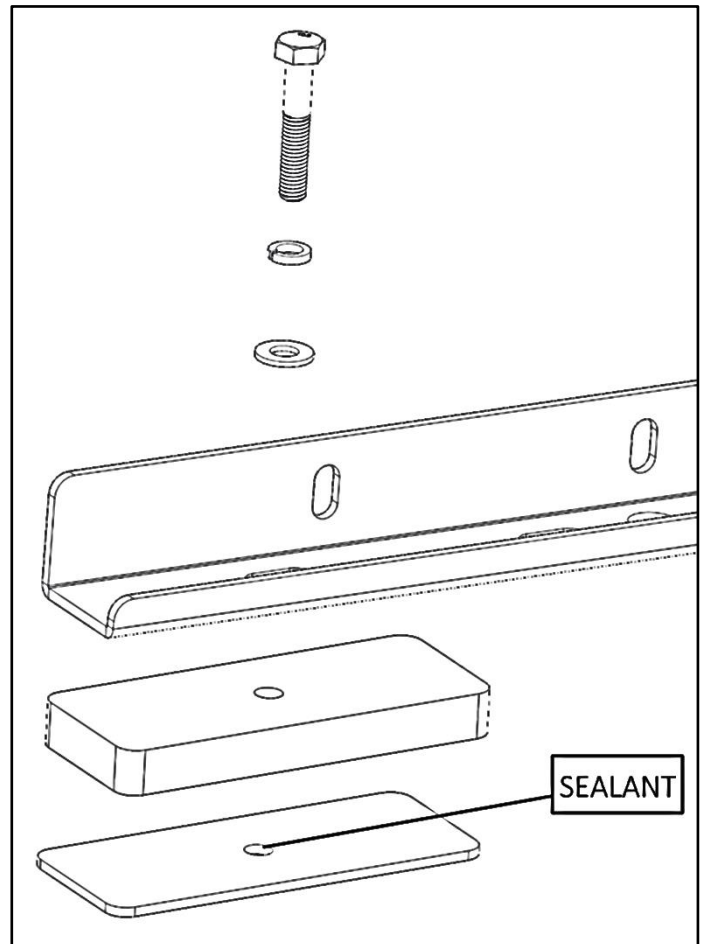


## Step 2A – Front Mount on 130” WB (Low/Mid Roof)

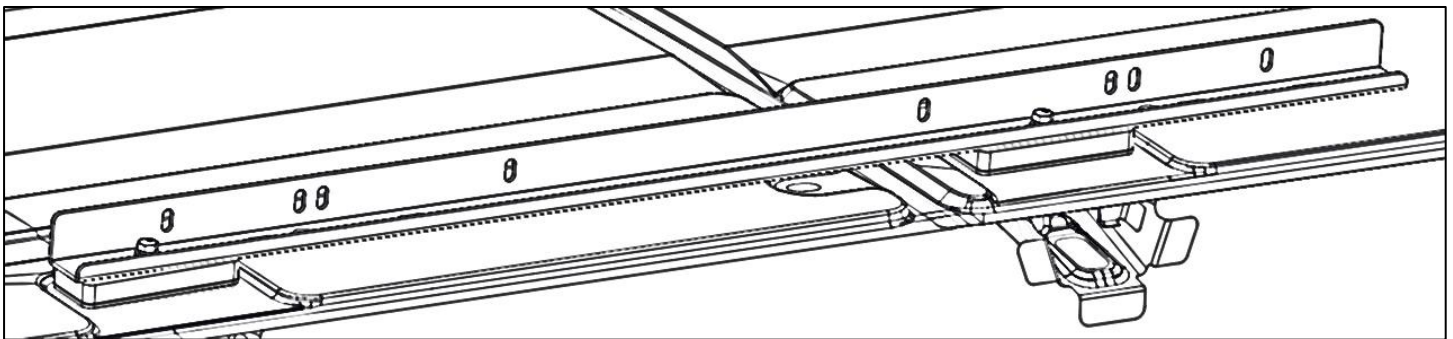
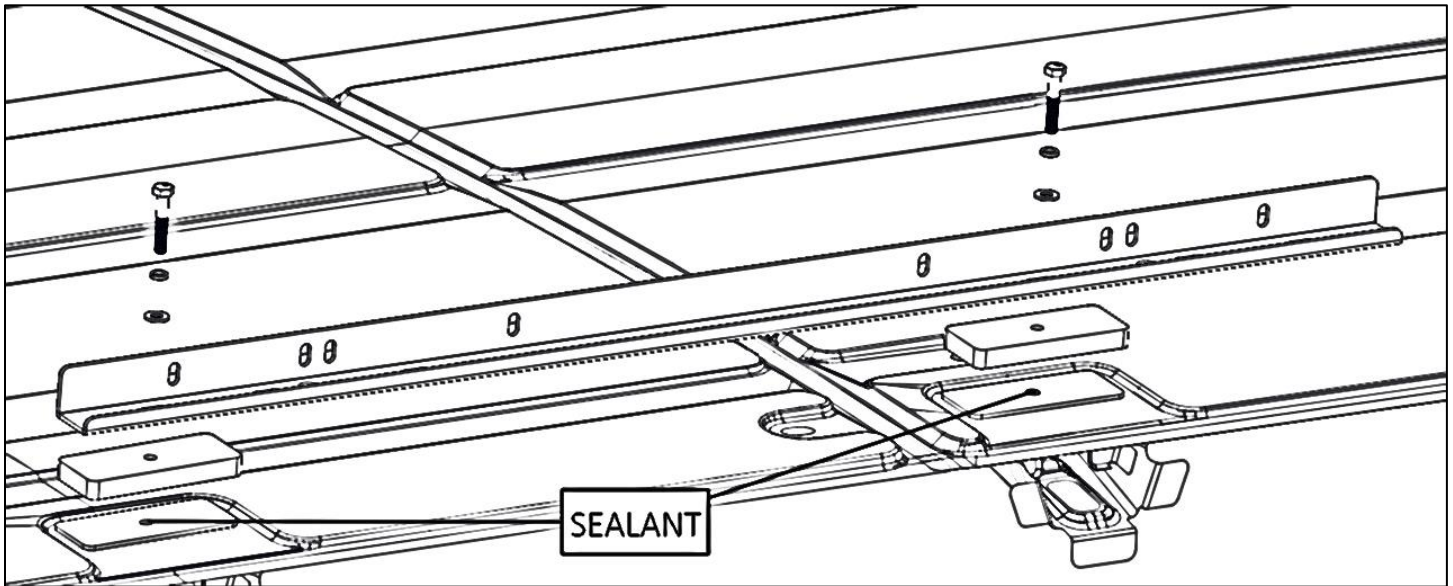
- Locate the other threaded emboss at the front of van. Plugs will need to be removed.



- Place the long mount rail with the tall flange to the center of the van.
- Bolt through the farthest rear slot and the corresponding front slot in the rail using M8 x 45mm bolts with lock washers and flat washers.
- The rail should be offset to the front of the van.
- The picture shown here is the rear most mount on the rail.
- **Be sure to place sealant around the threads and under the rubber pad to ensure no water can leak into the cabin of the van.**

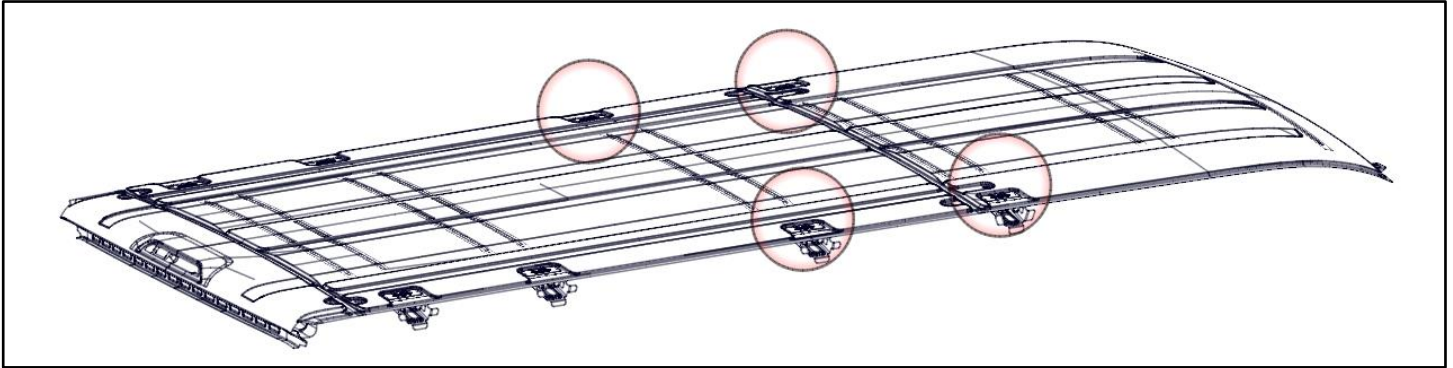


- Passenger side shown, repeat on driver side.
- Snug tighten.

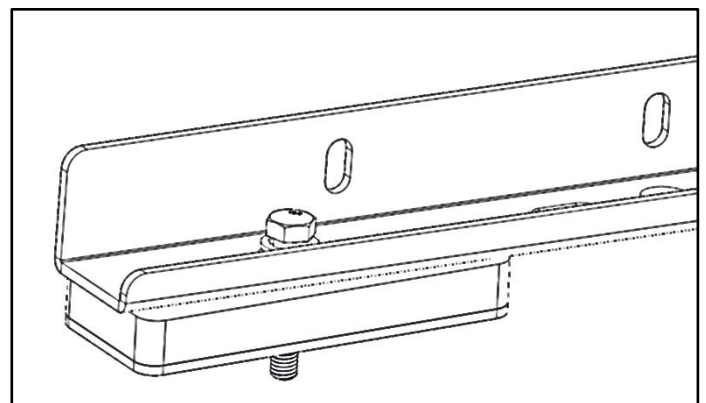
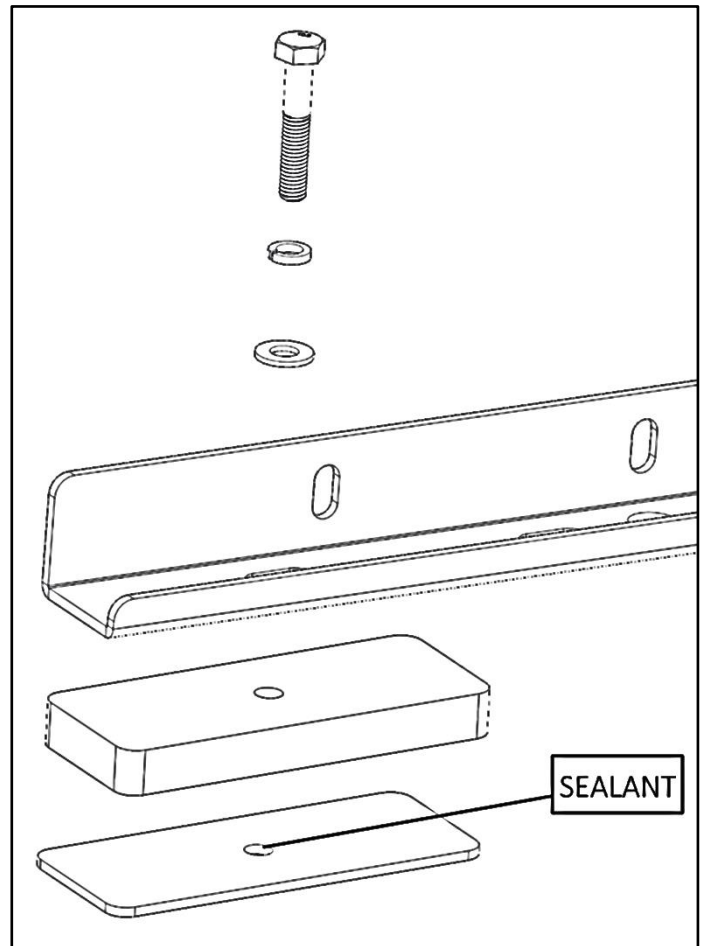


## Step 2B – Front Mount on 148” WB (Low/Mid/High Roof exclude EXT)

- Locate the other threaded emboss at front of van. Plugs will need to be removed.

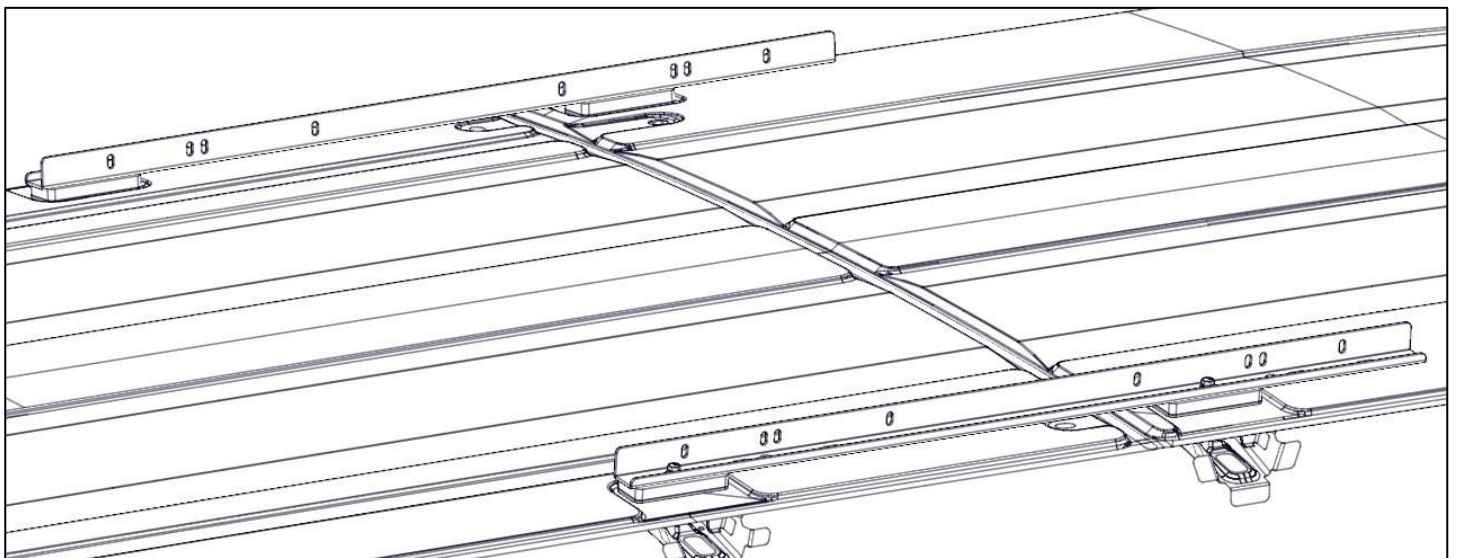
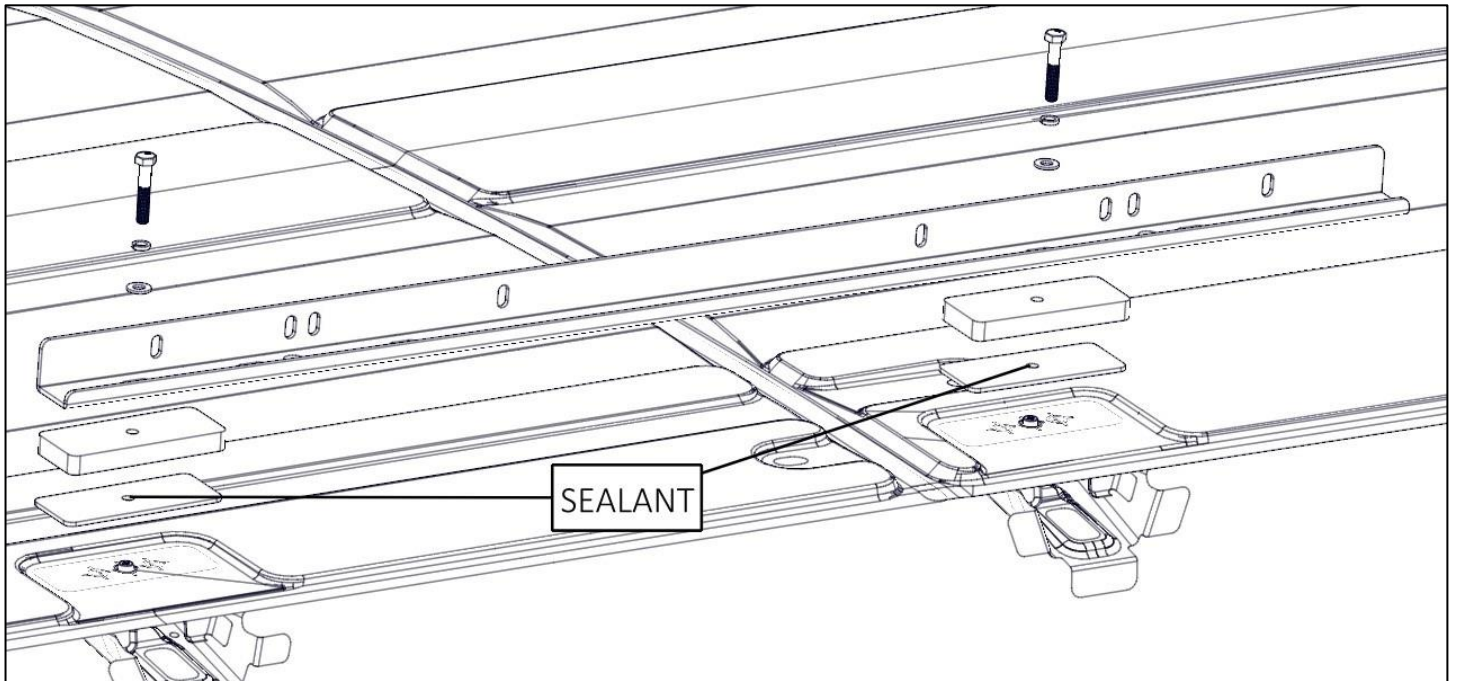


- Place the long mount rail with the tall flange to the center of the van.
- Bolt through the farthest rear slot and the corresponding front slot in the rail using M8 x 45mm bolts with lock washers and flat washers.
- The rail should be offset to the front of the van.
- The picture shown here is the rear most mount on the rail.
- **Be sure to place sealant around the threads and under the rubber pad to ensure no water can leak into the cabin of the van.**



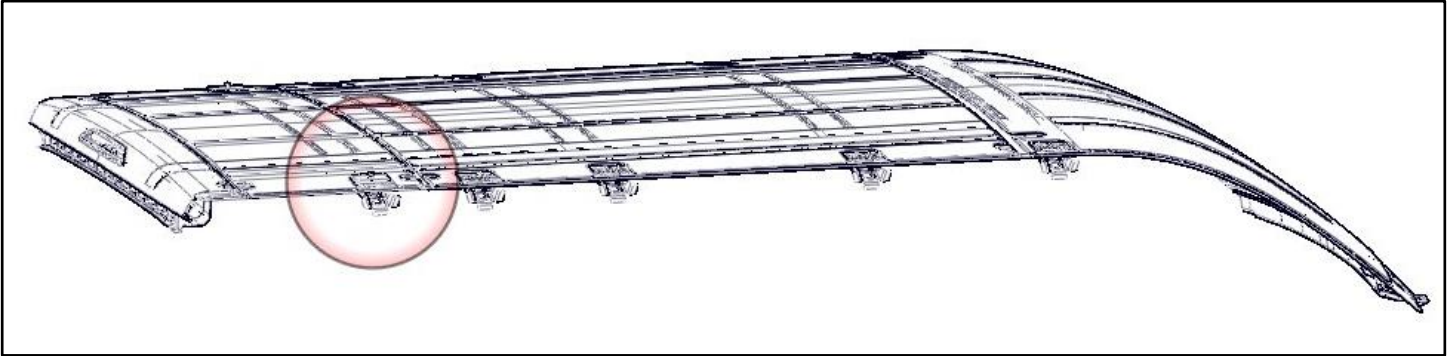


- Passenger side shown, repeat on driver side.
- Snug tighten.

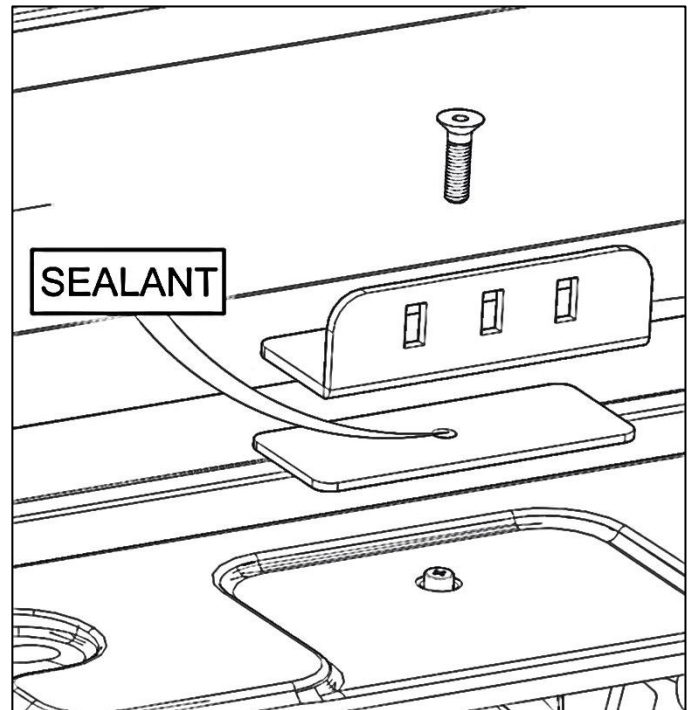
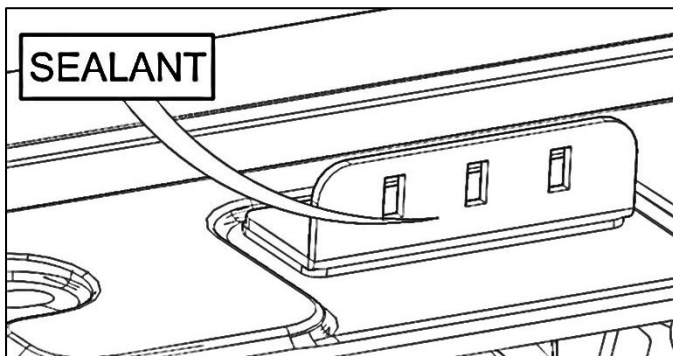


## Transit 148" Wheelbase, High Roof, EXT

### Step 3A – EXT Rear Foot Mounting

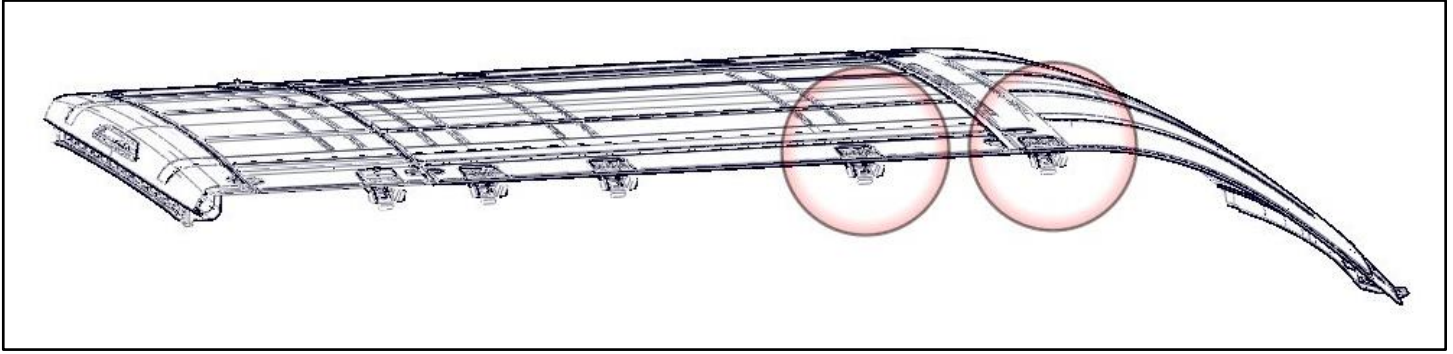


- Mount the rear mount bracket with M8 x 30mm flat head bolts. Place rubber pad between the bracket and the roof of the van. Place the bracket parallel with the length of the van.
- Have the flange on the bracket towards the outside of the van as shown.
- Passenger side shown, repeat on driver side.
- **Be sure to place sealant around the threads and under the rubber pad to ensure no water can leak into the cabin of the van.**
- Tighten.

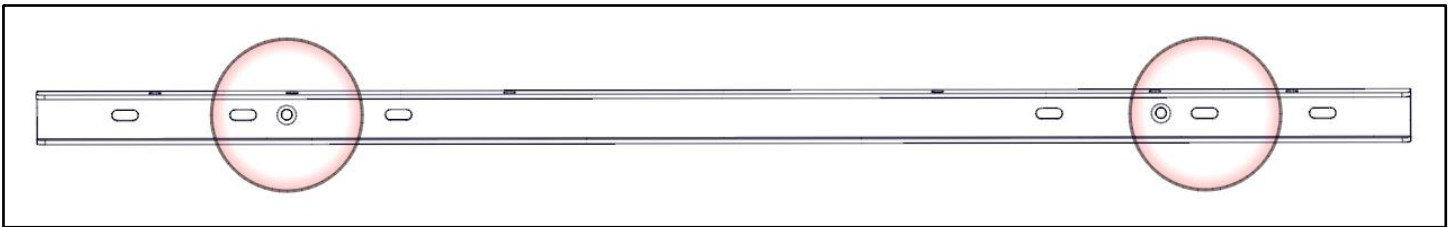


## Step 3B – EXT Front Mount

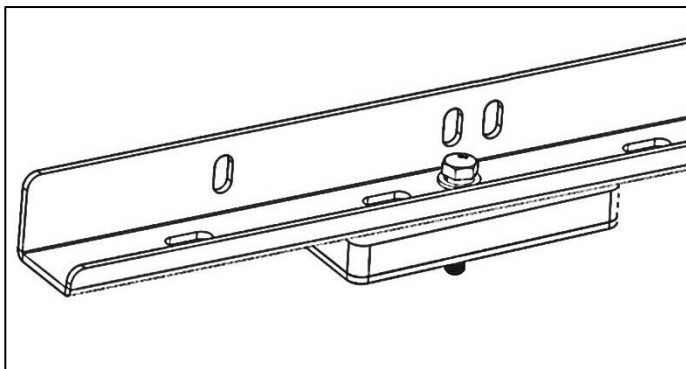
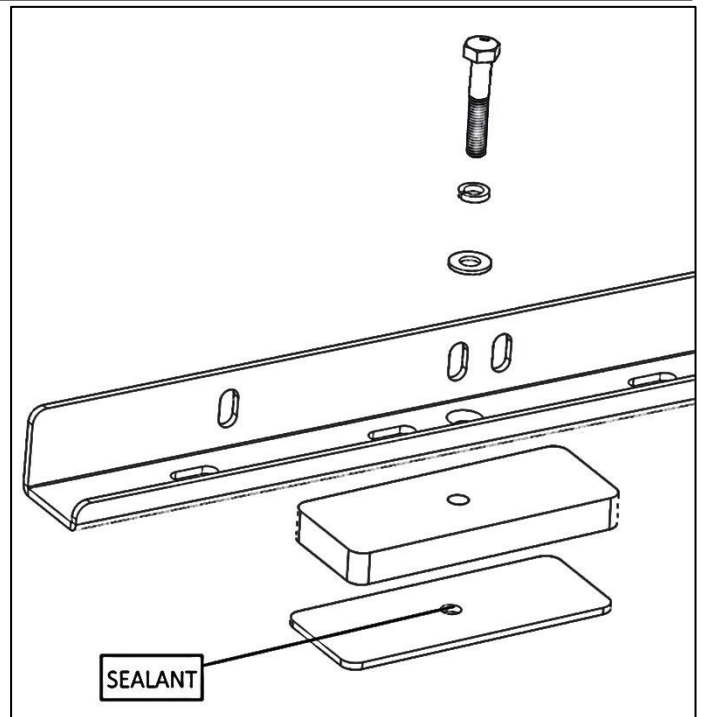
- Locate other two threaded emboss at front of van. A plug will need to be removed.



- Place the long mount rail with the tall flange to the center of the van.
- Bolt through the farthest rear countersunk hole and the 2nd slot from the front using M8 x 45mm bolts with lock washers and flat washers.



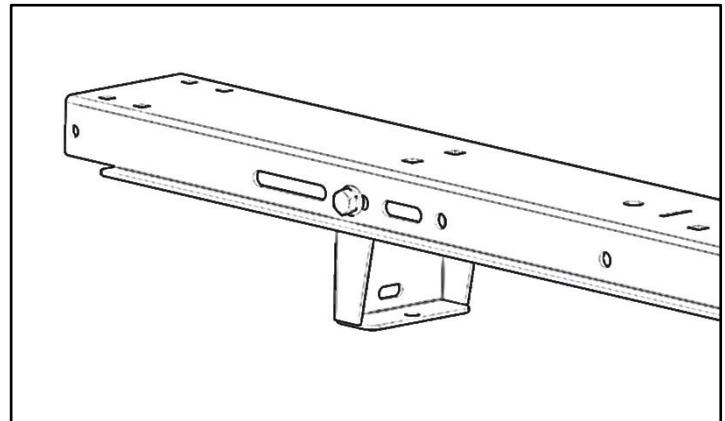
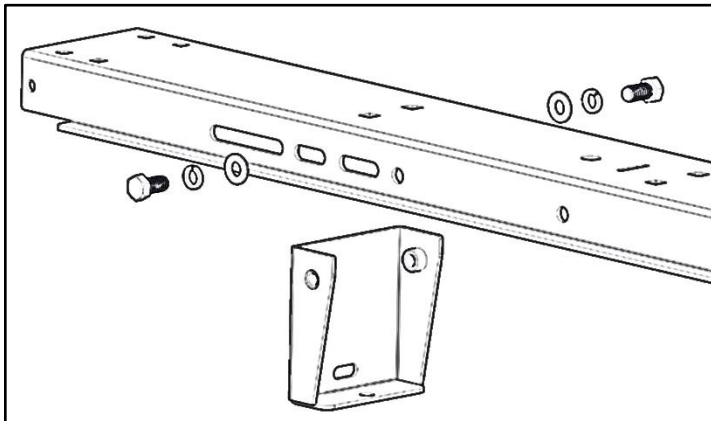
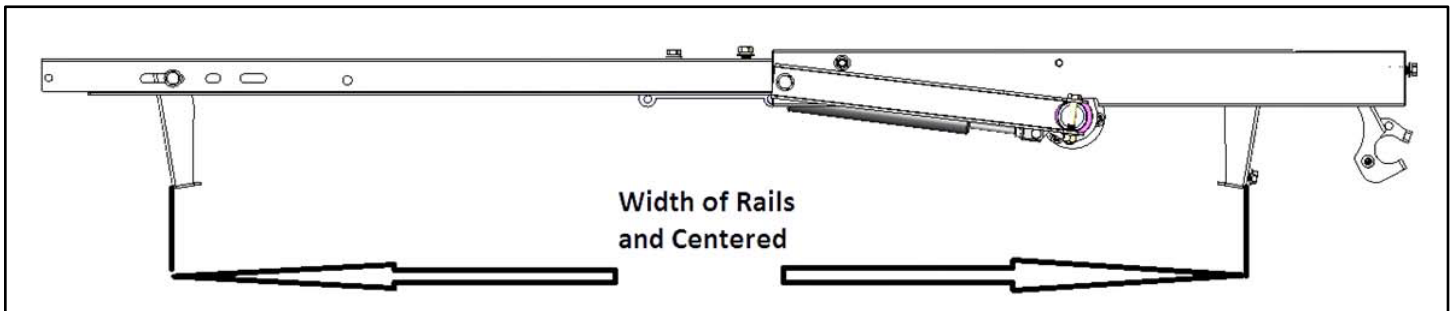
- The picture shown here is the rear most mount on the rail (through the countersunk hole).
- Passenger side shown, repeat on driver side.
- **Be sure to place sealant around the threads and under the rubber pad to ensure no water can leak into the cabin of the van.**
- Snug tighten.



## **Step 4 – Installing Feet**

- Have rack assembled.
- Measure width between the mounts on the van.
- On the cross bows, use the slots that correspond to the measured distance between rails.
- Bolt feet to bows as shown. **DO NOT TIGHTEN** at this point.
- Feet can be installed as shown or reverse depending on how you mounted the rail.
- Use a 3/8" x 3/4" hex head bolt, 3/8" lock washers and a 3/8" flat washer to bolt feet to crossmembers. Snug tighten, but allow movement.
- Design of feet may vary, but all mounting is the same.

**\*\*The tall feet will be installed on the rear bow.\*\***

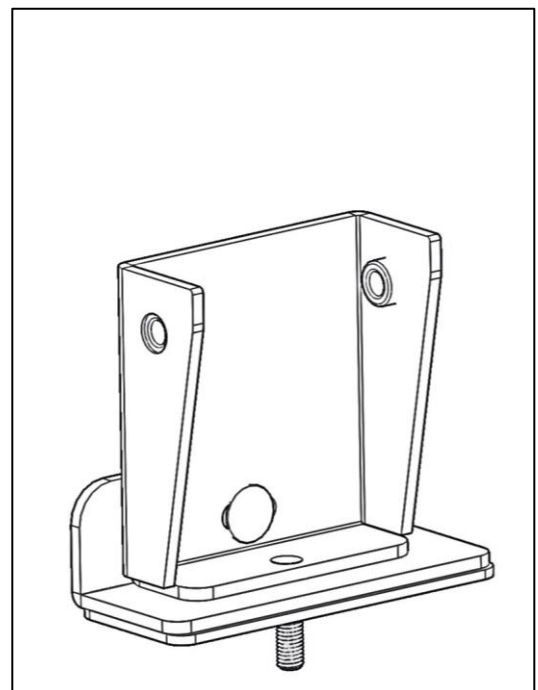
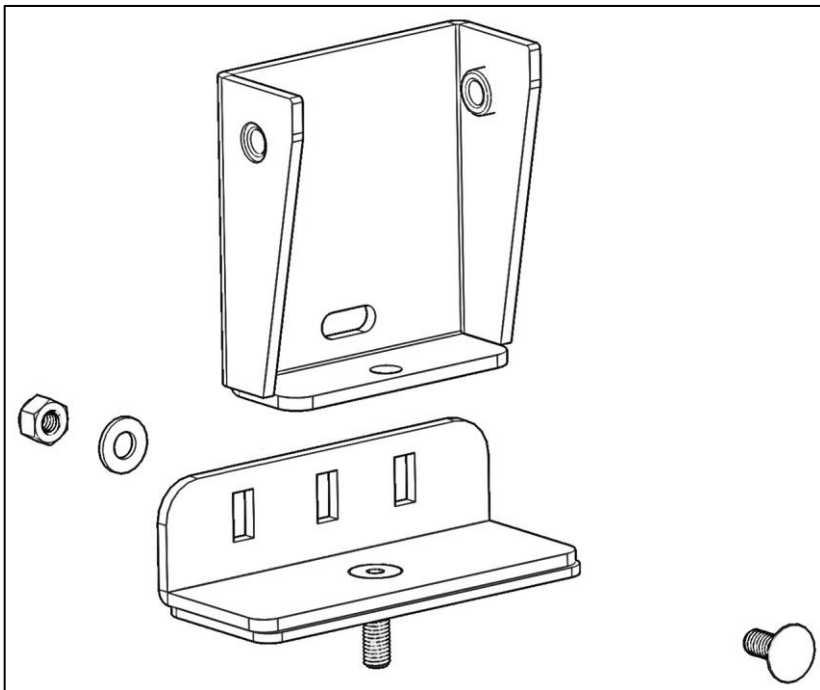


## Step 5 – Installing Rack on Van

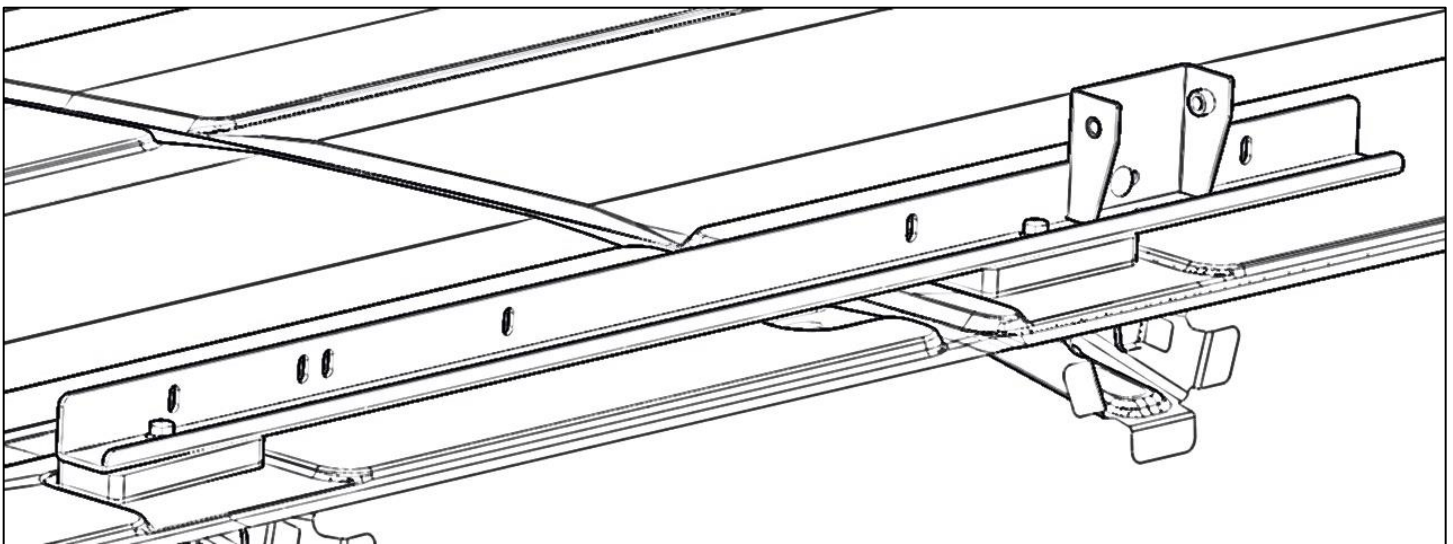
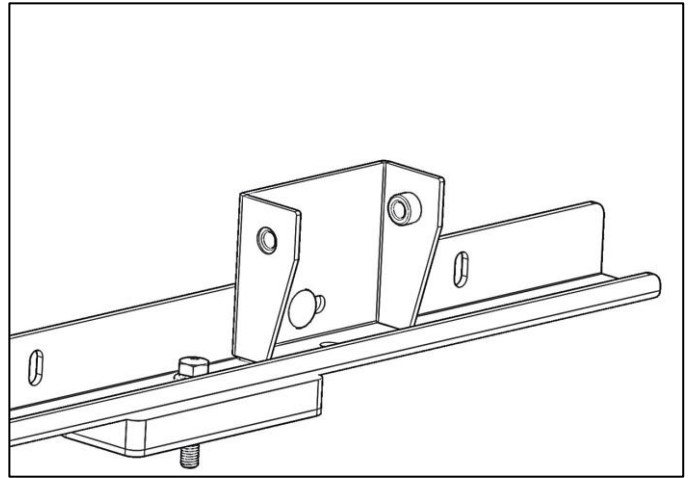
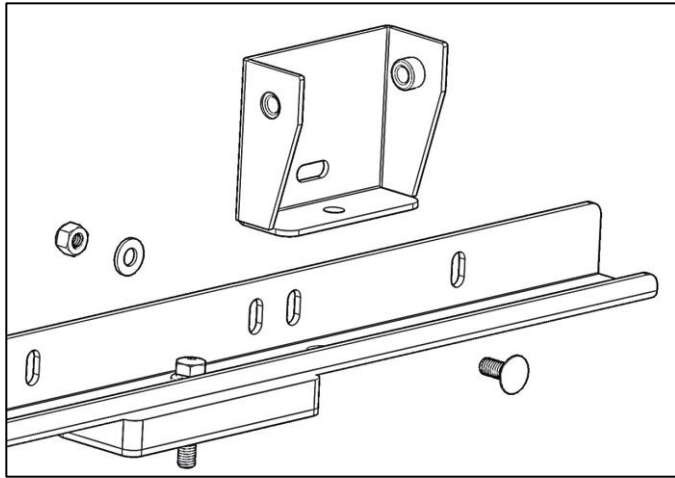
- First, line the rear foot up with the rear mount of van.
- Bolt rear foot to rear mount using 5/16" x 3/4" carriage bolts, 5/16" flat washers and a 5/16" lock nuts. (Driver Side Shown without roof and rack for clarity)
- In the front of the van, mount foot to previously installed rail using a 5/16" x 3/4" carriage bolts, 5/16" flat washers and a 5/16" lock nuts.
- Adjust as necessary.
- Notice, the tall feet are installed at the rear.

**\*Shown without rack and roof for clarity\***

### REAR



## FRONT



**Notice the short feet are installed at the front.**

**Go back and ensure all hardware is tight. This includes into the roof, within the rack assembly and the mounting of the rack to roof brackets.**

**Your installation is complete.**

