

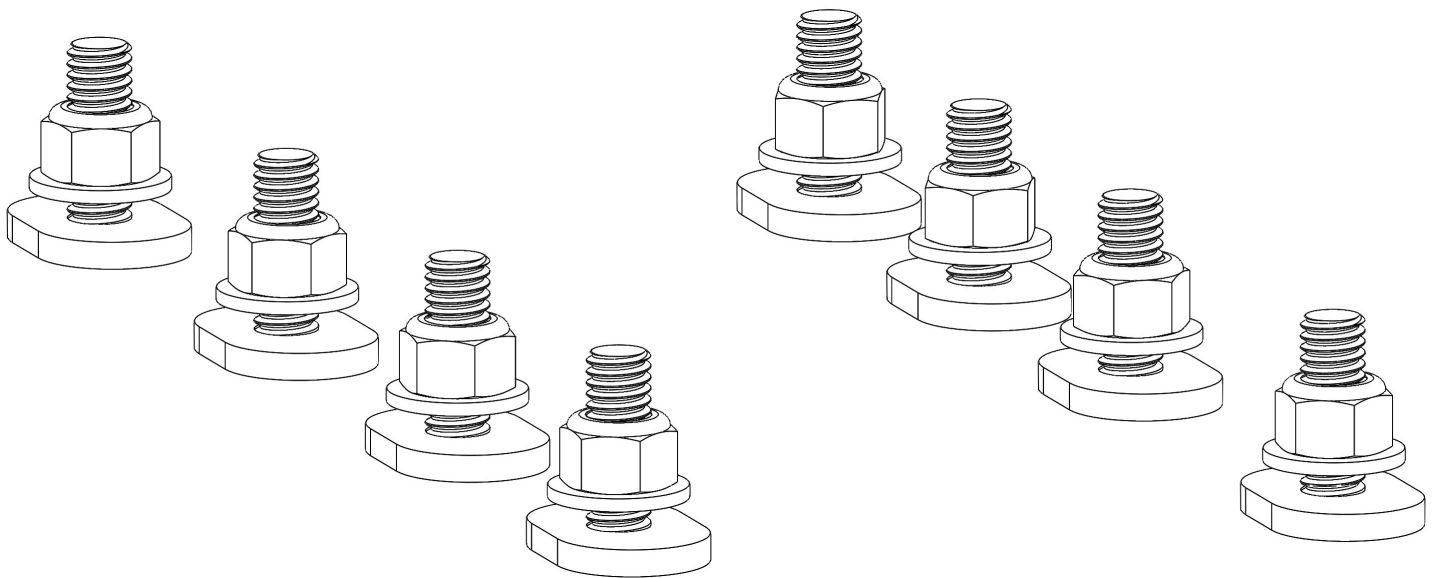
# Holman

---

## Instruction Guide

### 408GC

---



---

Holman  
Rancho Cordova, CA 95742  
800-343-7486  
InstallationSupport@holman.com

**\* PLEASE READ ALL INSTRUCTIONS AND WARNINGS PRIOR TO ASSEMBLING, INSTALLING, AND USING THIS PRODUCT. \***

**Warning**



**DO NOT EXCEED MANUFACTURERS WEIGHT CAPACITY FOR ROOF.**

**Tools Needed**

1/2" Socket and Socket Wrench

**Table of Contents**

Before You Begin..... 1

Parts ..... 1

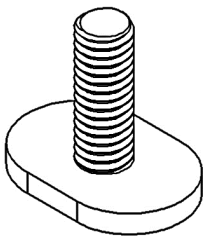
Hardware ..... 2

Install Feet to Rails ..... 2

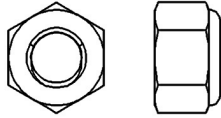
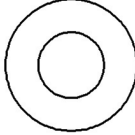
**Before You Begin**

- Read all instructions prior to assembling or installing any Kargo Master product.
- **Always locate your installation locations prior to performing any work.**
- **Have rack preassembled before installing mounting hardware.**

**Parts**

NO.	ITEM	PART NUMBER	DESCRIPTION	QTY.
1		408SC-001	RAIL SLOT MOUNTING STUD	8
2		18-408GC	HARDWARE KIT	1

## Hardware

ITEM	HARDWARE TO SCALE	PART NUMBER	DESCRIPTION	QTY.
1		0169777	5/16"-18 LOCK NUT	8
2		11545144	5/16" FLAT WASHER	8

## DO NOT EXCEED MANUFACTURERS WEIGHT CAPACITY FOR ROOF

### Step 1 – Install Feet to Rails

It is recommended to have rack preassembled before installing mounting hardware.

- Determine mounting locations on cap.
- Insert rail slot stud into rail slot and slide to each mounting position.
- Set rack mounting foot over rail slot stud. Be sure stud is going through hole in bottom of foot.
- For each foot, loosely fasten use a 5/16" flat washer and 5/16" lock nut to each stud. **DO NOT tighten until all washers and nuts have been loosely installed.**
- Snug tighten hardware but allow for movement. **Tighten hardware after rack installation is complete.**
- Install rack to feet per mount kit instructions.

