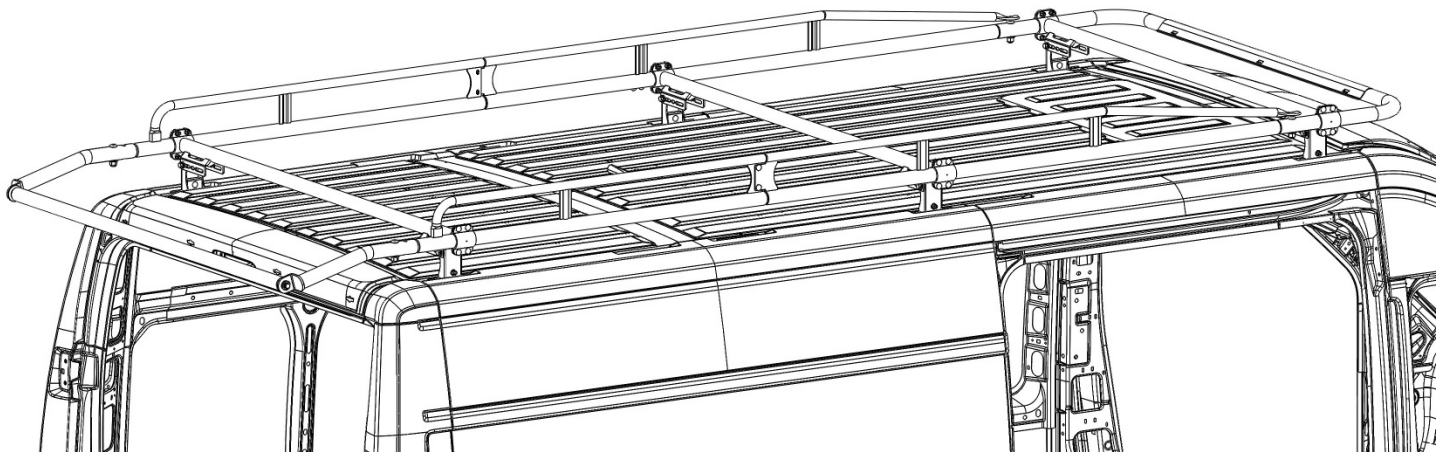


Holman

Instruction Guide 4089P



Holman
Rancho Cordova, CA 95742
800-343-7486
InstallationSupport@Holman.com

PLEASE READ ALL INSTRUCTIONS AND WARNINGS PRIOR TO ASSEMBLING, INSTALLING, AND USING THIS PRODUCT.

Warning



Always check for wires, fuel tanks and lines, brake lines and other important vehicle functionality items prior to drilling and installing all products.

Tools Needed

1/2" Socket and Wrench	9/16" Socket and Wrench
Tape Measure	

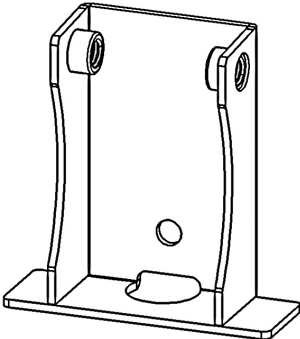
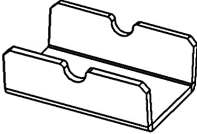
Table of Contents

Before You Begin	1
Parts List	2
Hardware 18-4089P	2
Step 1 – Find Mount Locations on Roof of Van	3
Step 2 – Install Feet	4
Step 3 – Measure distance between feet.....	5
Step 4 – Mount Rack	5

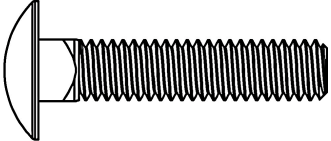
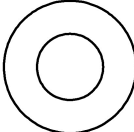

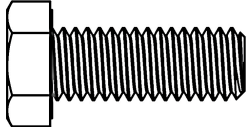
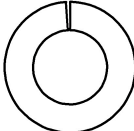
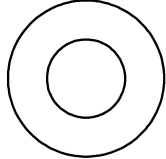
Before You Begin

- Read all instructions.
- Use these instructions along with the assembly instructions found with the rack to complete installation.
- The 3/8" hardware will be used when installing the rack to the feet.

Parts List

NO.	ITEM	PART NUMBER	DESCRIPTION	QTY.
1		4089A-P0	PROMASTER MOUNT FOOT	6
2		4089A-P0-002	PROMASTER MOUNT BRACKET	6
3		18-4089P	HARDWARE KIT	1

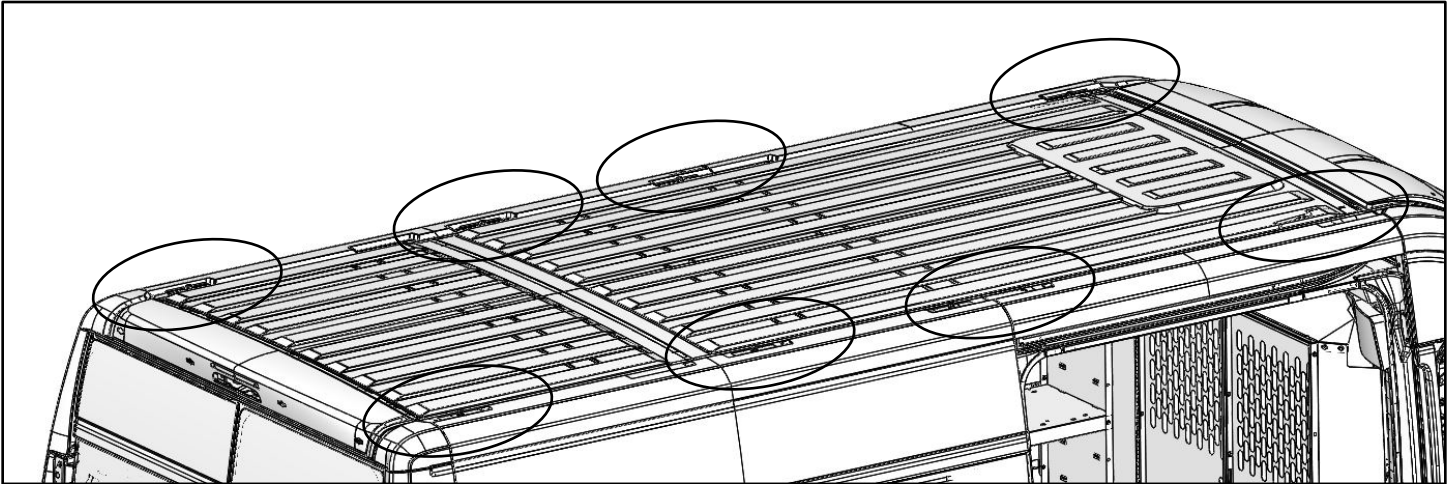
Hardware 18-4089P

ITEM NO.	TO SCALE	DESCRIPTION	PART NUMBER	QTY.
1		5/16"-18 x 1-1/2" Carriage Bolt	92356A587	6
2		5/16" Flat Washer	90126A030	6
3		5/16" Nyloc	95615A160	6
4		3/8"-16 x 1" Hex Head	92240A622	12
5		3/8" Split Lock Washer	92146A031	12
6		3/8" Flat Washer	90126A031	12

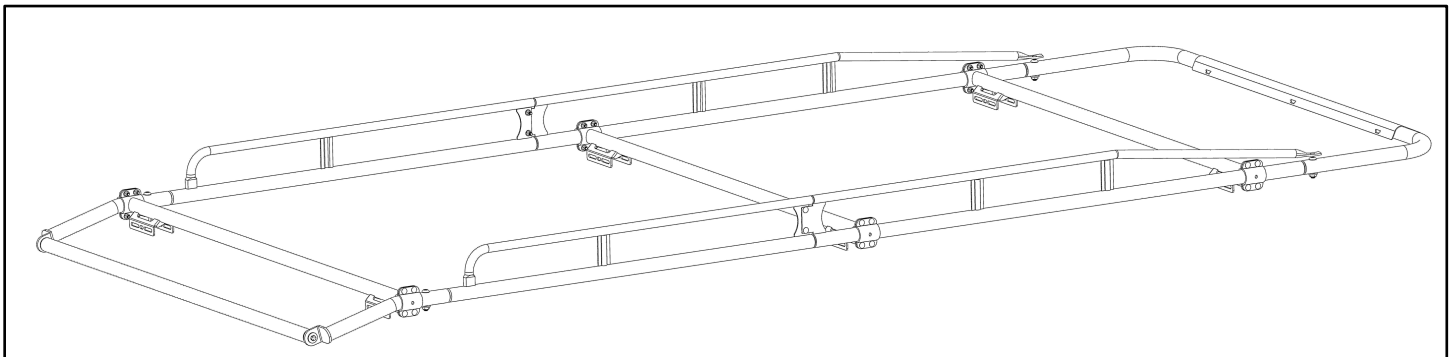
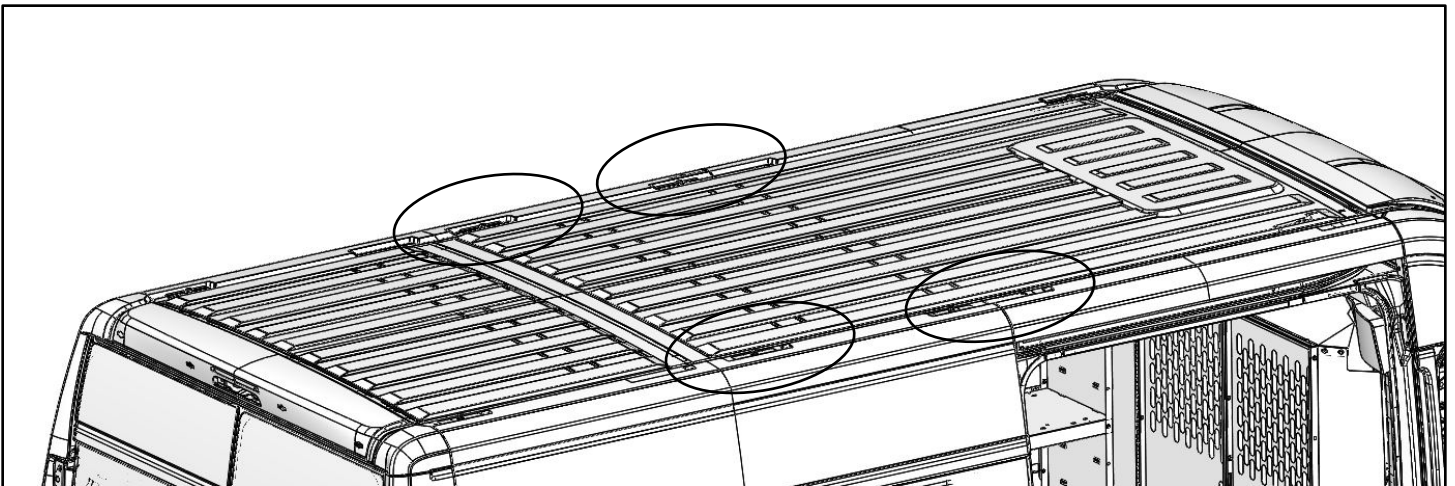
Step 1 – Find Mount Locations on Roof of Van

- Locate the mounting studs on the roof of the van. There will be studs protruding on both sides. The farthest forward and farthest back studs will be used in all applications.

NOTE: The following pictures show on a 159" wheel base, high roof van.

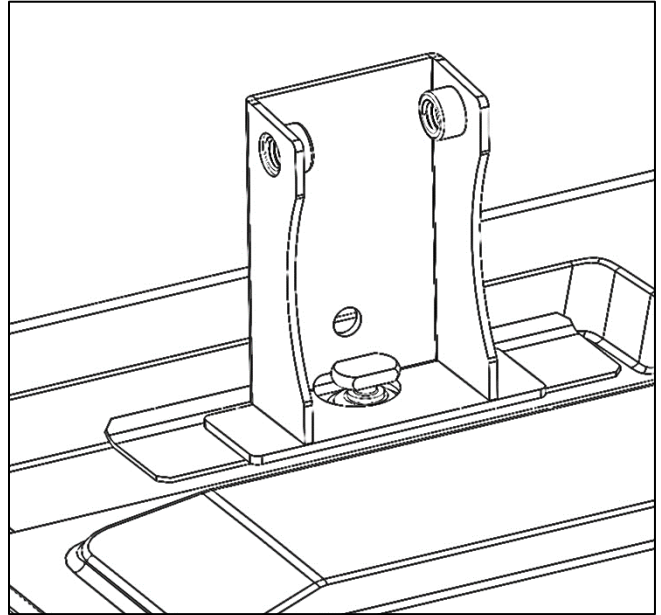
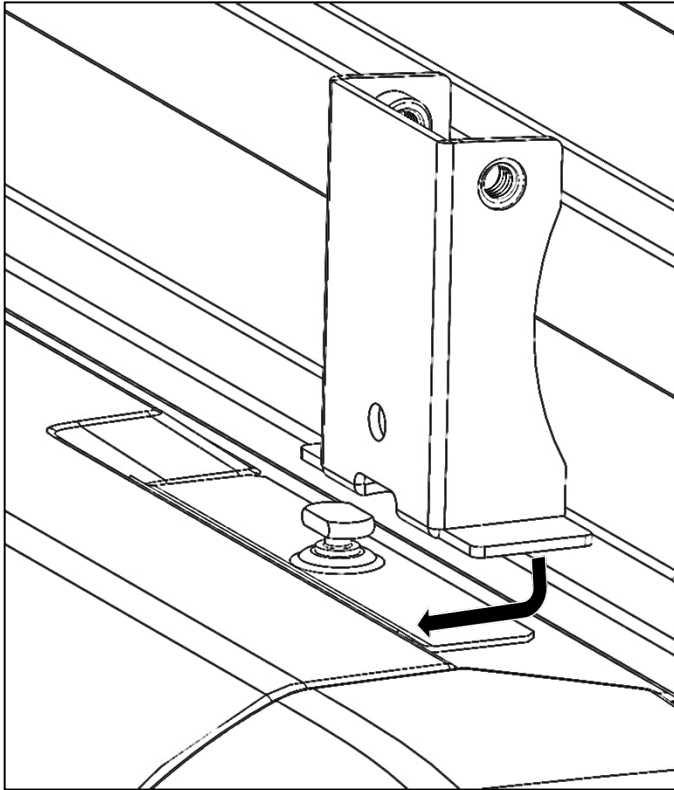


- Choose the desired middle crossbar location from the middle four studs, shown below. Crossbars should be spaced enough for even weight distribution.
- An example location for the center cross member is shown below. These instructions use the studs toward the front of the van.

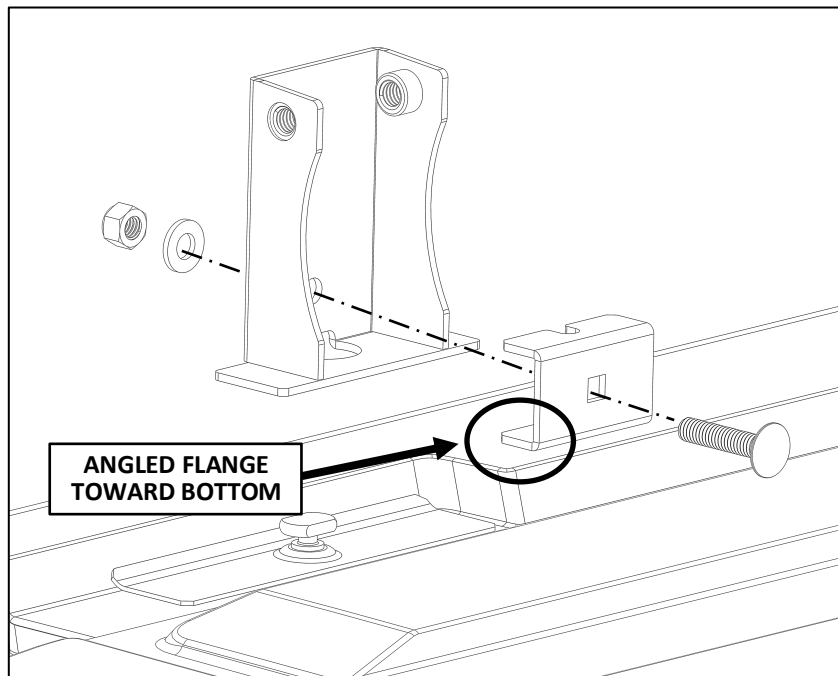


Step 2 – Install Feet

- Place foot and mount bracket over the stud protruding from the roof in the orientation shown below.

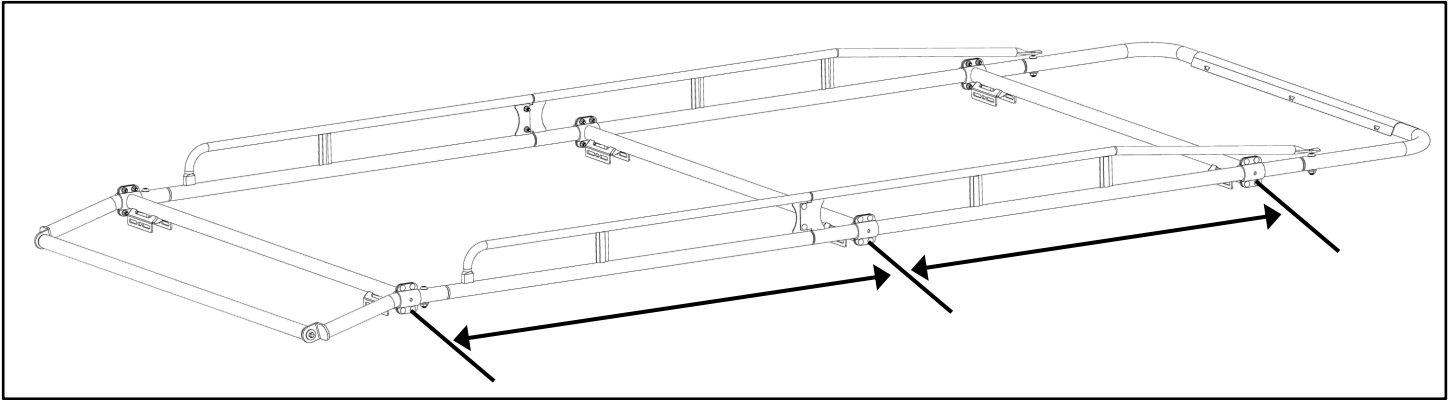


- Bolt through the foot and the mount bracket using a 5/16" x 1-1/2" carriage bolt, a 5/16" flat washer, and a 5/16" lock nut as shown.
- Tighten, but allow some movement until the rack is placed onto the feet. **DO NOT OVER-TIGHTEN.**
- Repeat this step for remaining feet.



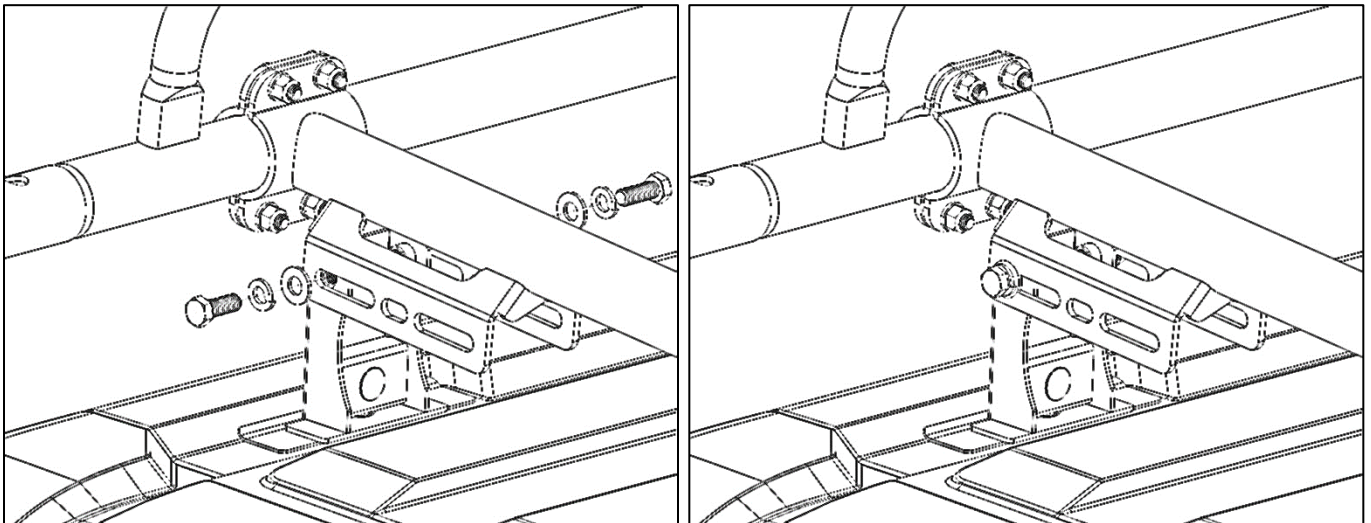
Step 3 – Measure distance between feet

- Measure the distance between the feet mounted in the previous step.
- Write these dimensions down to assist when assembling the rack. Using the distance measured, align the crossbars with the feet.
- Tighten snugly, but do not over-tighten.



Step 4 – Mount Rack

- Place the assembled rack on top of the previously installed feet.
- Bolt the crossbars to the feet using 3/8" x 3/4" hex head bolts, 3/8" split lock washers, and 3/8" flat washers. (Picture of feet may vary, but installation is the same.)



ENSURE ALL HARDWARE IS TIGHT

YOUR INSTALLATION IS NOW COMPLETE.