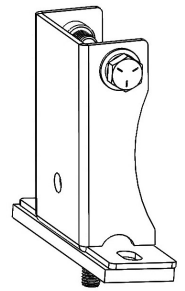
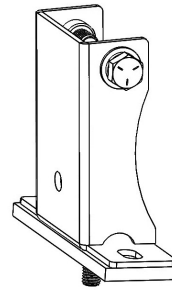
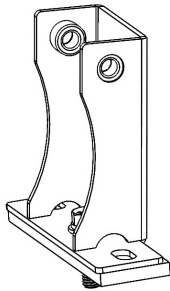
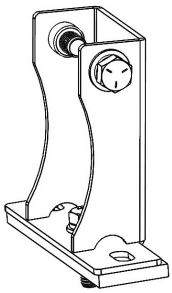


Holman

Instruction Guide 4089D



Holman
Rancho Cordova, CA 95742
800-343-7486
InstallationSupport@holman.com

*** PLEASE READ ALL INSTRUCTIONS AND WARNINGS PRIOR TO ASSEMBLING, INSTALLING, AND USING THIS PRODUCT. ***

Warning



Always check for wires, fuel tanks and lines, brake lines and other important vehicle functionality items prior to drilling and installing all products.



DO NOT EXCEED MANUFACTURERS WEIGHT CAPACITY FOR ROOF.

Tools Needed

9/16" Socket and Wrench	9/16" Box Wrench
10mm, 13mm Sockets and Wrench	13mm Box Wrench

Table of Contents

Before You Begin..... 1

Parts 2

Hardware 2

Transit Connect Installation 4

ProMaster City Installation 5

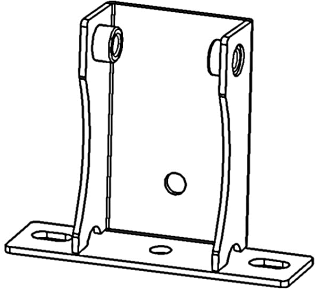
NV200/City Express Installation..... 7

Camper Shell Installation 8

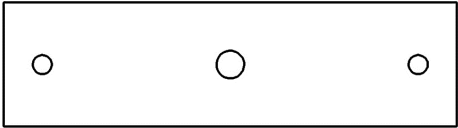
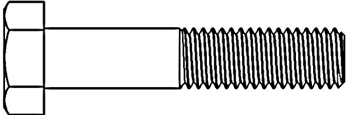
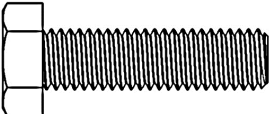

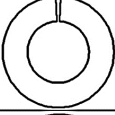
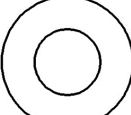
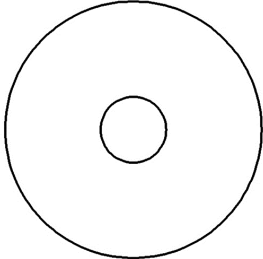
Before You Begin

- Read all instructions prior to assembling or installing any Kargo Master product.
- **Always locate your installation locations prior to performing any work.**
- **Be sure to put sealant around all threads entering cargo area and between the rubber spacer and roof of vehicle to prevent water from leaking into cargo area.**
- **These instructions are for the mounting kit only. Refer to the instructions that came with the rack for help with rack assembly.**

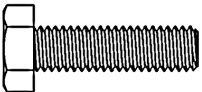

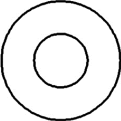
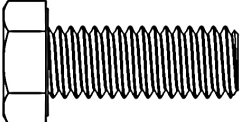
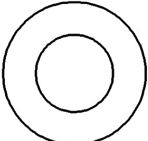
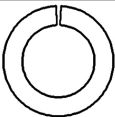
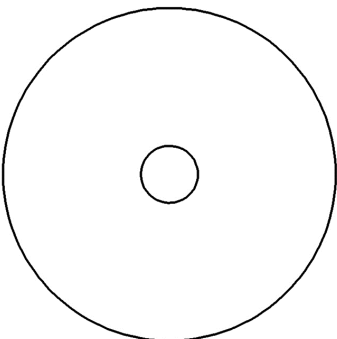
Parts

NO.	ITEM	PART NUMBER	DESCRIPTION	QTY.
1		4089A-T0-004	COMPACT VAN FOOT	4
2		18-4089D	BOLT KIT-PRO III-COMPACT VANS & CAPS	1

Hardware

ITEM	HARDWARE TO SCALE	PART NUMBER	DESCRIPTION	QTY.
1	 1:2 Scale		3 HOLE RUBBER PAD	4
2			M8-1.25 X 40mm HEX HEAD BOLT	8
3		11552488	M8-1.25 X 30MM HEX HEAD BOLT	4
4		11511017	M8-1.25 NYLON NUT	8
5		1133620	5/16" LOCKING WASHER	4
6		33080	5/16" WASHER	8
7		33216	5/16" FENDER WASHER	8

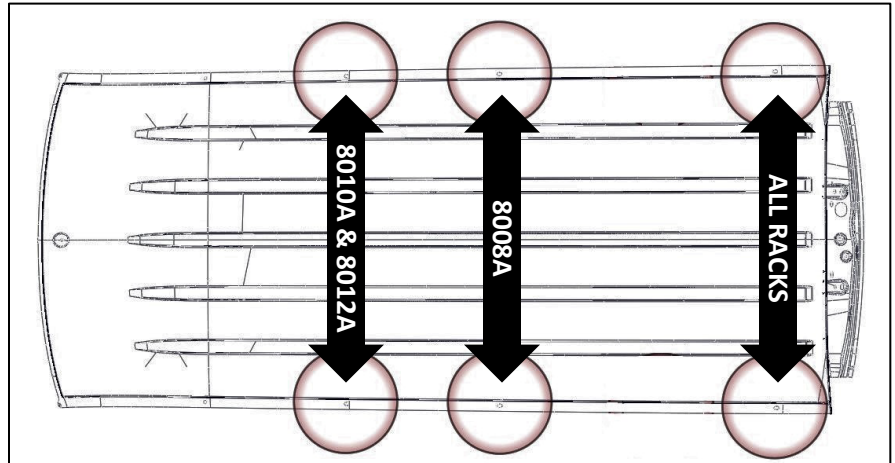
Hardware (Continued)

ITEM	HARDWARE TO SCALE	PART NUMBER	DESCRIPTION	QTY.
8		38560	M6 X 1.0 X 22MM HEX HEAD BOLT	8
9		1133618	1/4"-20 LOCK WASHER	8
10		33078	1/4" WASHER	8
11		70105	3/8-16 X 1" HEX HEAD BOLT	8
12		1133082	3/8" WASHER	8
13		1133622	3/8" LOCK WASHER	8
14		-	1/8" X 5/16" X 1-3/4" RUBBER WASHER	8
15		-	SELF-LEVELING ADHESIVE SEALANT	1

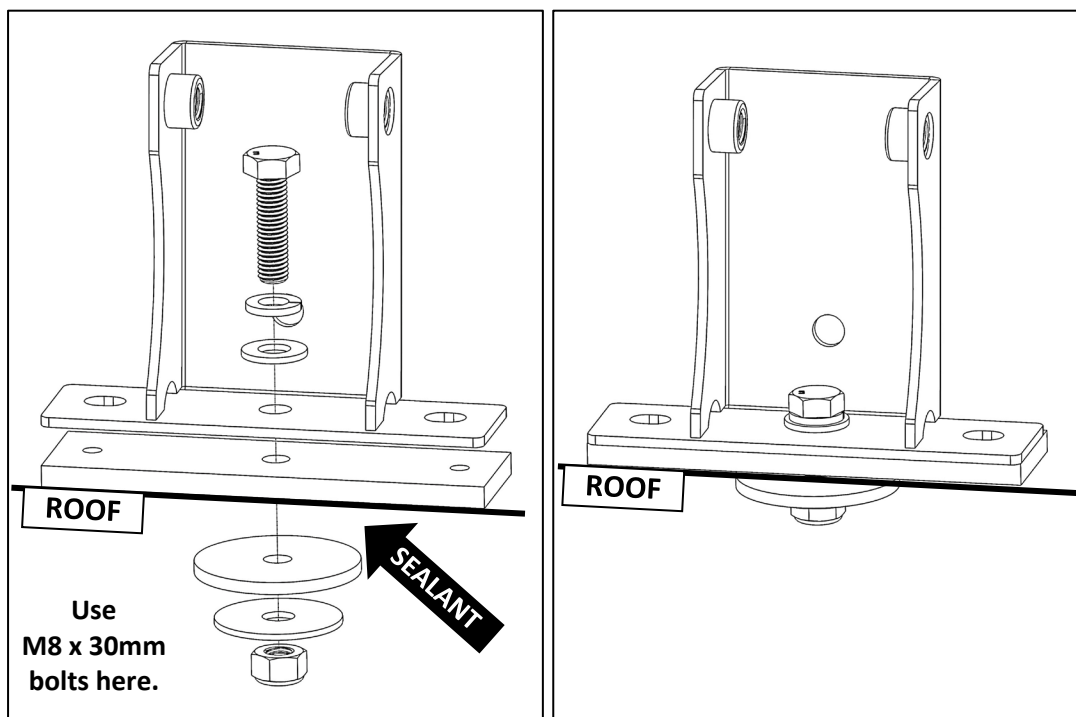
DO NOT EXCEED MANUFACTURERS WEIGHT CAPACITY FOR ROOF

Transit Connect Installation

- Locate the plugs on the roof of the van in the locations shown.
- Remove the plugs from the roof in the **FOUR** desired mounting locations to expose mounting slots. **ONLY REMOVE PLUGS FROM FOUR INTENDED INSTALLATION LOCATIONS.**



- Apply sealant around mounting slots in the roof.
- Place the three-hole rubber pad on top of the van with the center hole over the mounting location. **Be sure the sealant is applied to prevent water from leaking into the cargo area.**
- Place the foot on top of the three-hole rubber pad with the cup of the foot facing outwards.
- Using a M8 x 30mm hex head, 5/16" flat washer, bolt through bottom-center hole in foot, center of three-hole pad, and then hole in top of roof. Inside roof, bolt through round rubber washer, 5/16" fender washer, and M8 lock nut. **The roof sandwiches between rubber pad and rubber washer.**

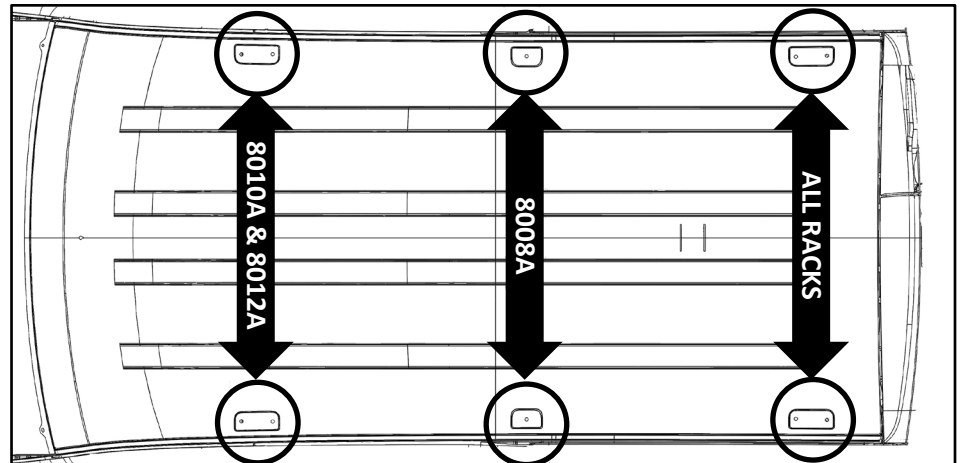


- Snug tighten, but allow movement.
- Repeat for remaining three installation locations.

Mount rack to feet per instructions that came with rack.

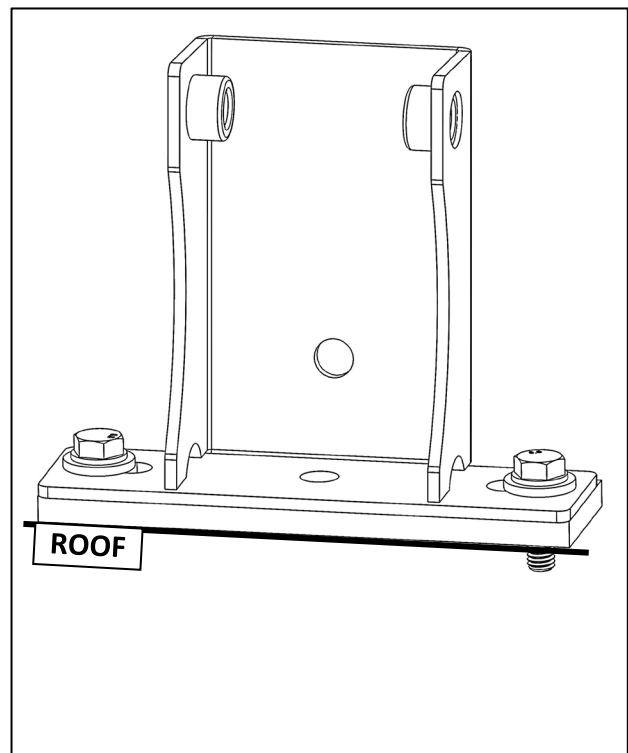
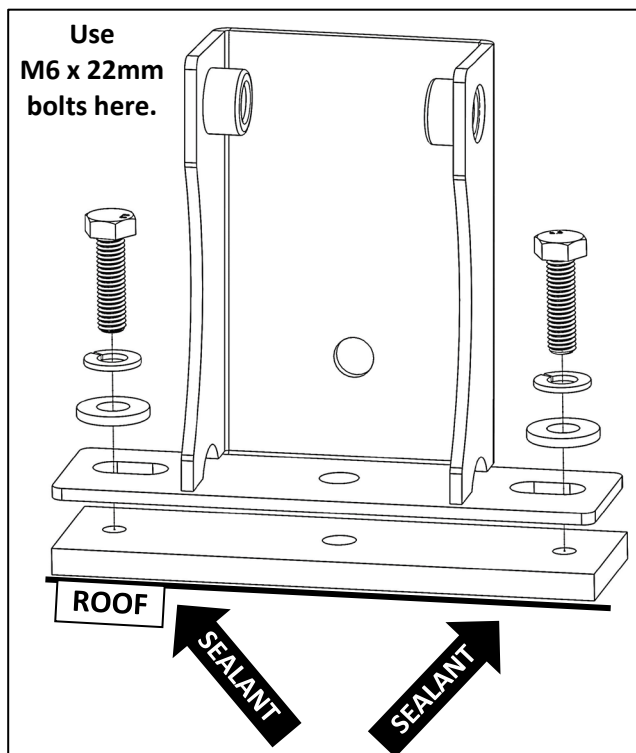
ProMaster City Installation

- Remove the plugs from the roof in the **FOUR** mounting locations shown to expose the threaded inserts. **ONLY REMOVE PLUGS FROM FOUR INTENDED INSTALLATION LOCATIONS.**



Rear and Front Mount Locations:

- Apply sealant around the threaded inserts in the roof.
- Place the three-hole rubber pad on top of the van with the **TWO OUTER HOLES** over the threaded inserts. **Be sure to apply sealant thoroughly to prevent water from leaking into the cargo area.**
- Bolt through the foot into the threaded inserts in the roof using M6 x 22mm hex heads, 1/4" lock washers, and 1/4" flat washers, in the order shown.

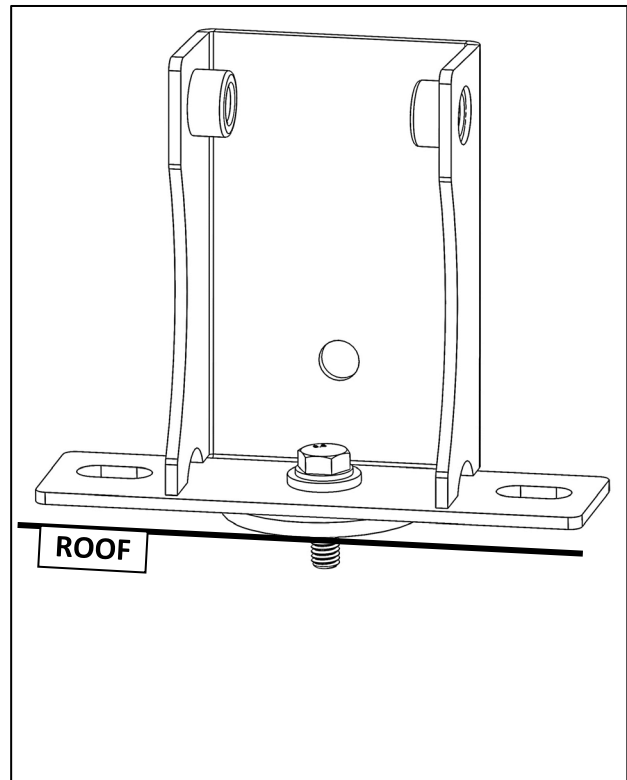
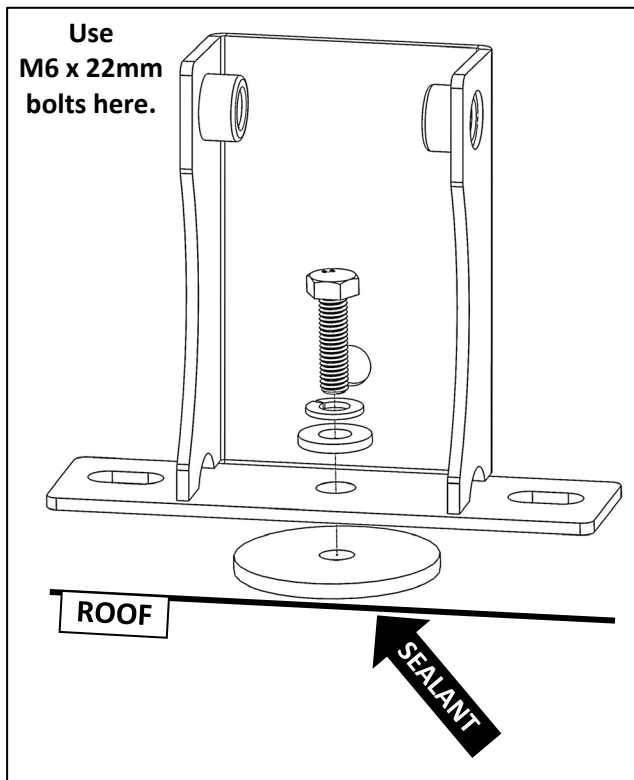


- Snug tighten, but allow movement.
- Repeat for opposite side of vehicle.

ProMaster City Installation (Continued)

Mid Mount Location (8008A only):

- Apply sealant around the threaded insert in the roof.
- Place the RUBBER WASHER on top of the van CENTERED over the threaded insert. **Be sure to apply sealant thoroughly around threaded insert to prevent water from leaking into the cargo area.**
- Place the foot on top of the rubber washer with the cup of the foot facing outwards.
- Using M6 x 22mm hex heads, 1/4" lock washers, and 1/4" flat washers, bolt through foot into the threaded inserts in the roof, in the order shown.

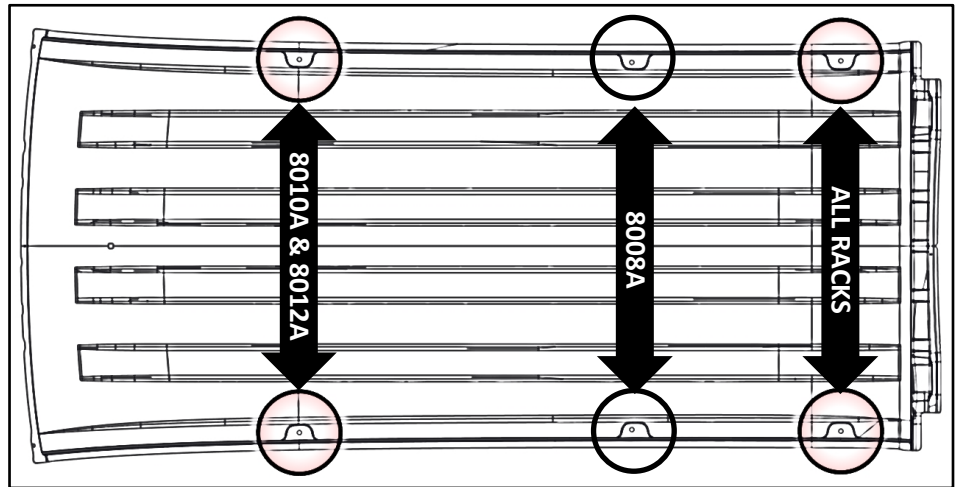


- Snug tighten, but allow movement.
- Repeat for opposite side of vehicle.

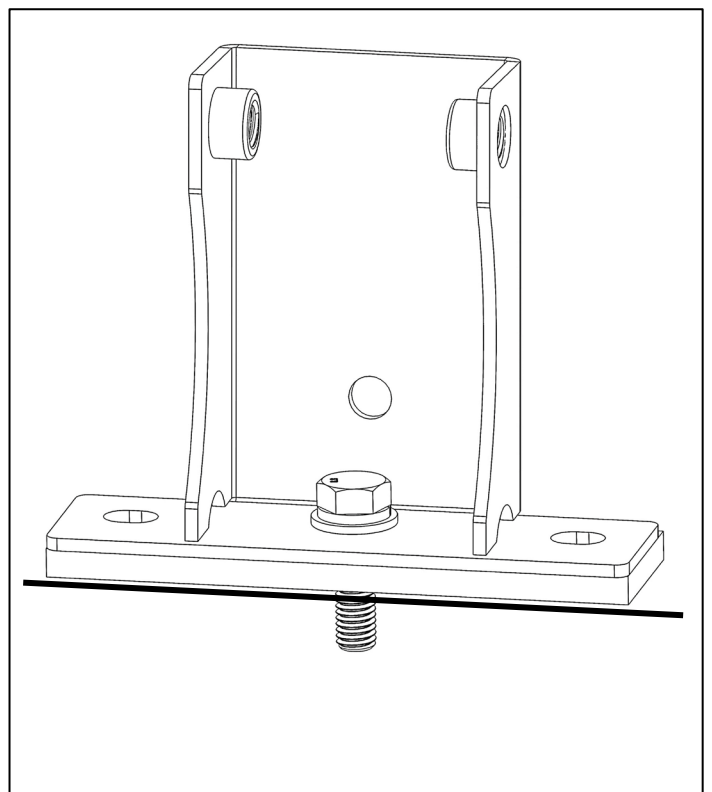
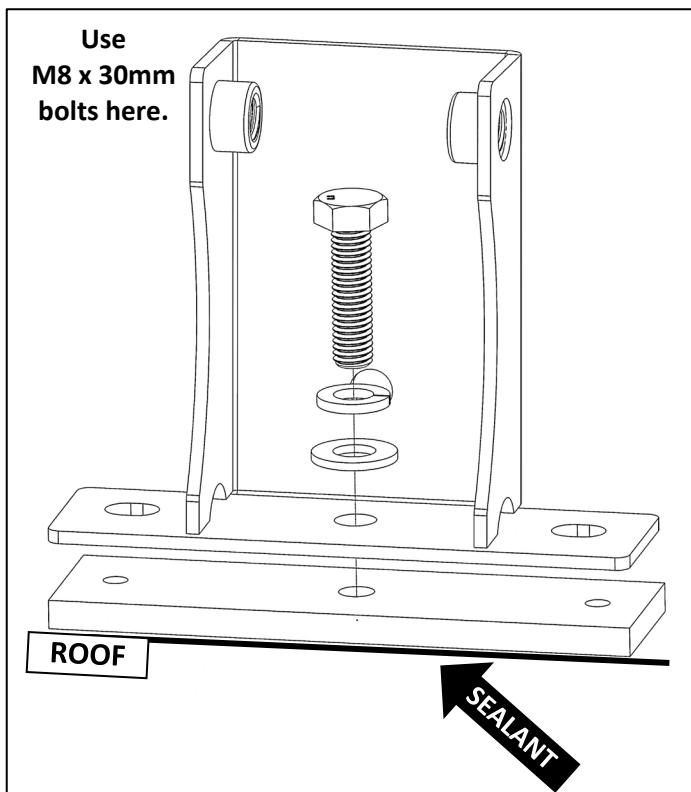
Mount rack to feet per instructions that came with rack.

NV200/City Express Installation

- Remove the plugs from the roof in the **FOUR** mounting locations shown to expose the threaded inserts. **ONLY REMOVE PLUGS FROM FOUR INTENDED INSTALLATION LOCATIONS.**



- Apply sealant around the threaded inserts in the roof. **Be sure to apply sealant thoroughly to prevent water from leaking into the cargo area.**
- Place the three-hole rubber pad on top of the van with the center hole over the threaded insert.
- Place the foot on top of the three-hole rubber pad with the cup of the foot facing outwards.
- Bolt through the foot into the threaded inserts using a M8 x 30mm hex head, 5/16" lock washer, 5/16" flat washer and a rubber pad in the order shown.

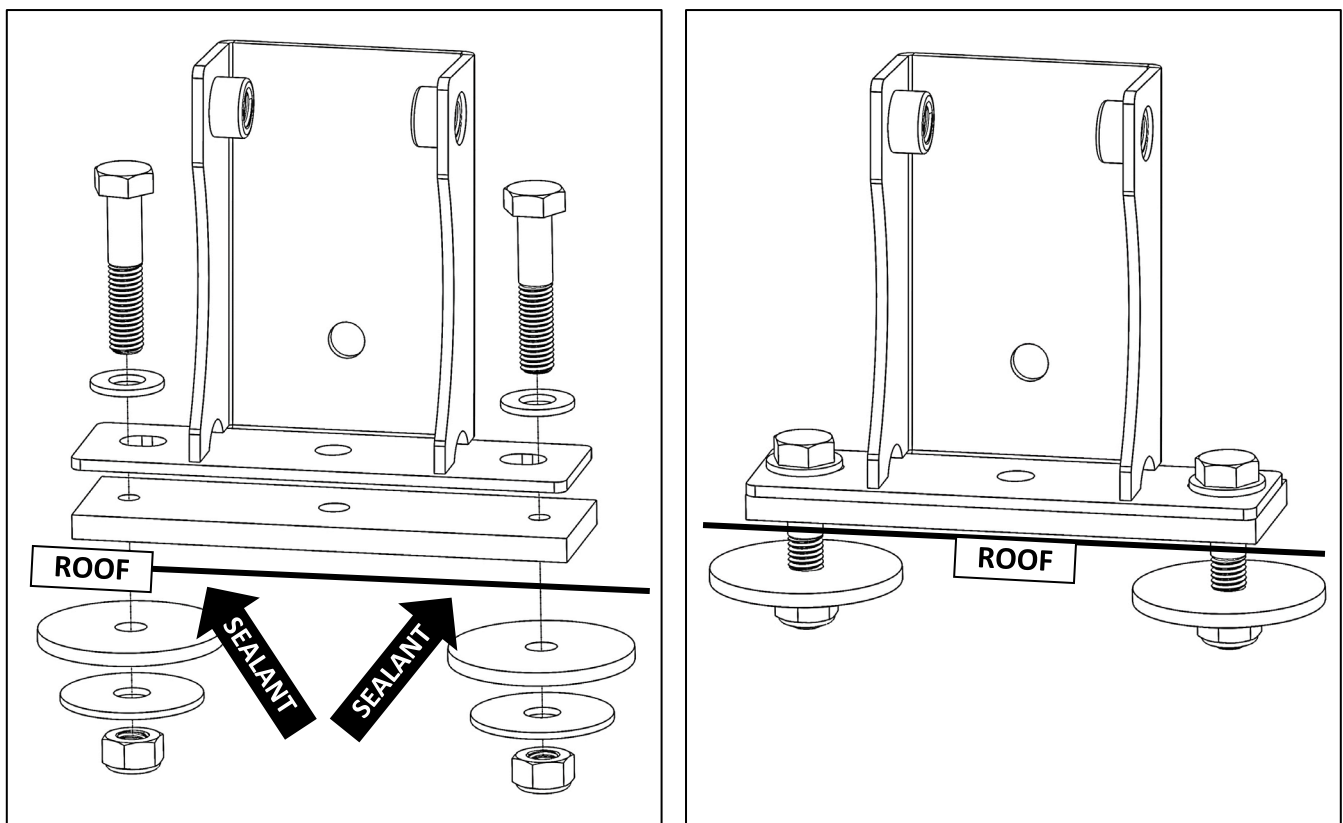


- Repeat for remaining three locations.
- Snug tighten, but allow movement.

Mount rack to feet per instructions that came with rack.

Camper Shell Installation

- Find the desired ladder location on top of camper shell. Some caps will have reinforced mounting locations built into the cap. **THIS STEP MAY BE EASIER IF THE FEET ARE INSTALLED ON THE RACK.**
- Place the feet on top of the camper shell in the desired location.
- Mark through the slots in the feet onto the top of the camper shell. **Be sure the marked location is safe to drill.**
- Drill the center of each slot using a 5/16" drill.
- **APPLY SEALANT** around the exposed holes in the cap to help prevent water from leaking into the cargo area.
- Place a three-hole rubber pad on top of the holes in the cap.
- Place the foot on top of the rubber pad.
- Bolt through the foot, the rubber pad and the camper shell using two M8 x 40mm hex heads and two 5/16" flat washers.
- From the inside of the camper shell, LOOSELY attach a rubber washer, a 5/16" fender washer and M8 lock nut onto bolts.
- **Thoroughly APPLY SEALANT** around the holes in the foot and rubber pad.
- Snug tighten, but allow movement.
- Repeat at remaining three locations.



Mount rack to feet per instructions that came with rack.