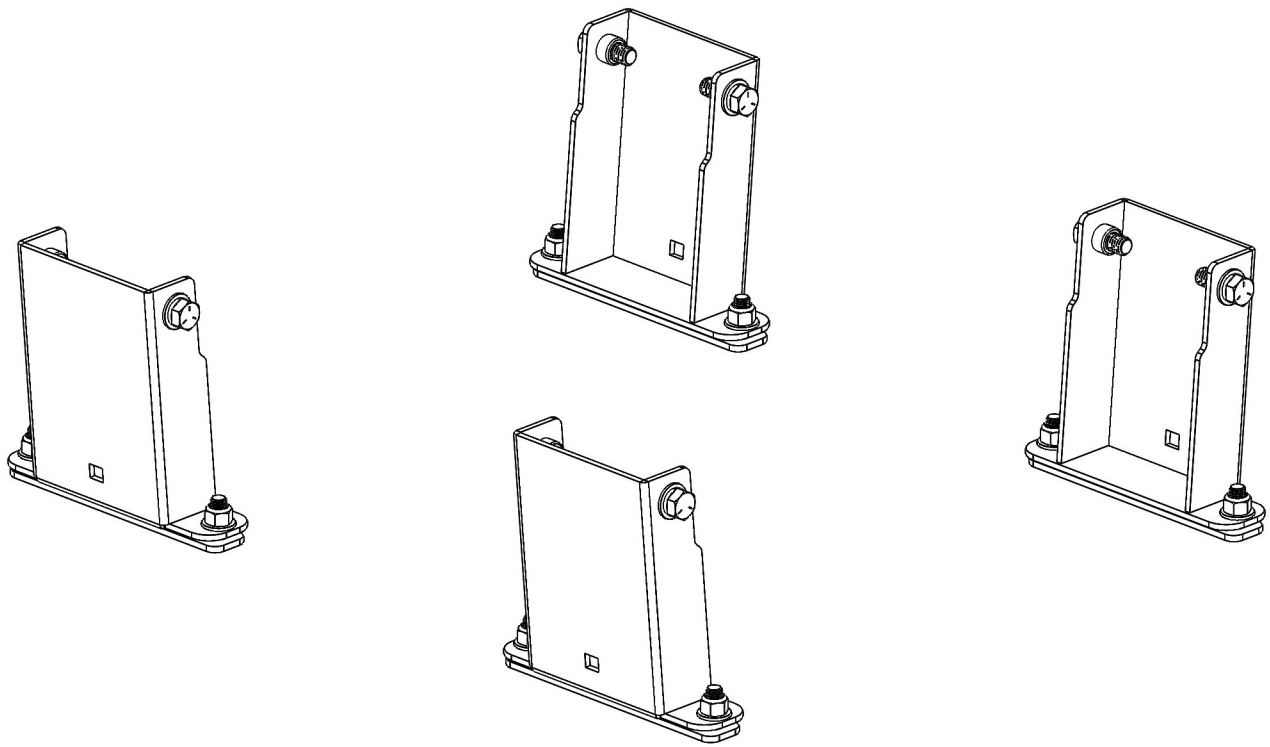


Holman

Instruction Guide 4081SF



Holman
Rancho Cordova, CA 95742
800-343-7486
InstallationSupport@holman.com

*** PLEASE READ ALL INSTRUCTIONS AND WARNINGS PRIOR TO ASSEMBLING, INSTALLING, AND USING THIS PRODUCT. ***

Warning



Always check for wires, fuel tanks and lines, brake lines and other important vehicle functionality items prior to drilling and installing all products.



DO NOT EXCEED MANUFACTURERS WEIGHT CAPACITY FOR ROOF.

Tools Needed

1/2", 9/16" Sockets and Wrench	Tape Measure
--------------------------------	--------------


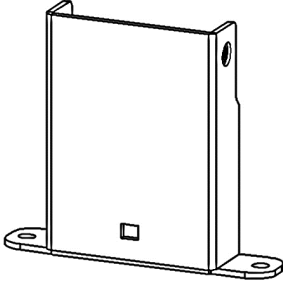
Table of Contents

Before You Begin.....	1
Parts	2
Hardware	2
Step 1 – Install Feet to Factory Rails.....	3
Step 2 – Install Rack to Feet.....	5

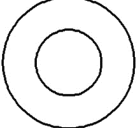

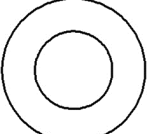
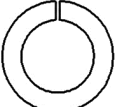
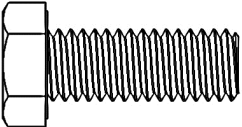
Before You Begin

- Read all instructions prior to assembling or installing any Kargo Master product.
- **Always locate your installation locations prior to performing any work.**
- **ENSURE SAFETY WHILE INSTALLING OR DRILLING INTO VEHICLE.**
- Refer to assembly instructions provided with rack to assemble rack. It is recommended to have the rack assembled before installation.

Parts

NO.	ITEM	PART NUMBER	DESCRIPTION	QTY.
1		4081SF-001	SPRINTER FACTORY RAIL SLIDER	4
2		4081SF-02	SPRINTER FACTORY RAIL FOOT	4
3		18-4081SF	4081SF HARDWARE KIT	1

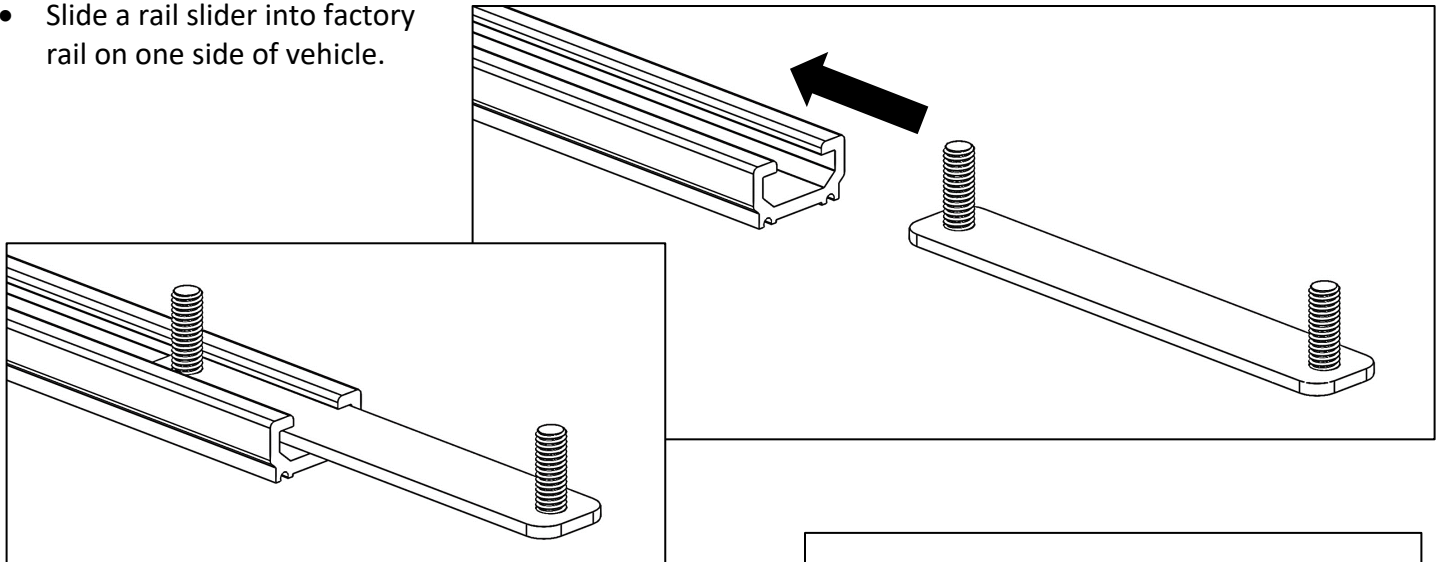
Hardware

ITEM	HARDWARE TO SCALE	PART NUMBER	DESCRIPTION	QTY.
1		11545144	5/16" FLAT WASHER	8
2		0169777	5/16"-18 LOCK NUT	8
3		1133082	3/8" WASHER	8
4		1133622	3/8" LOCK WASHER	8
5		70105	3/8-16 X 1" HEX HEAD BOLT	8

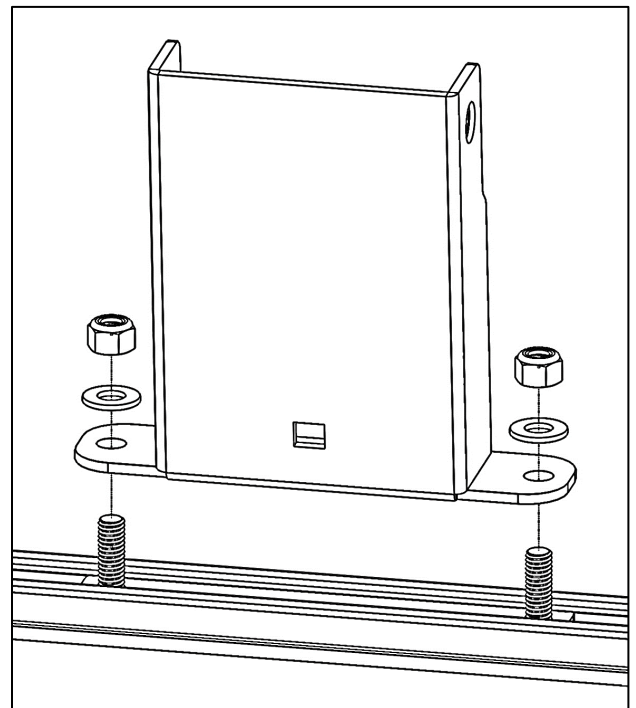
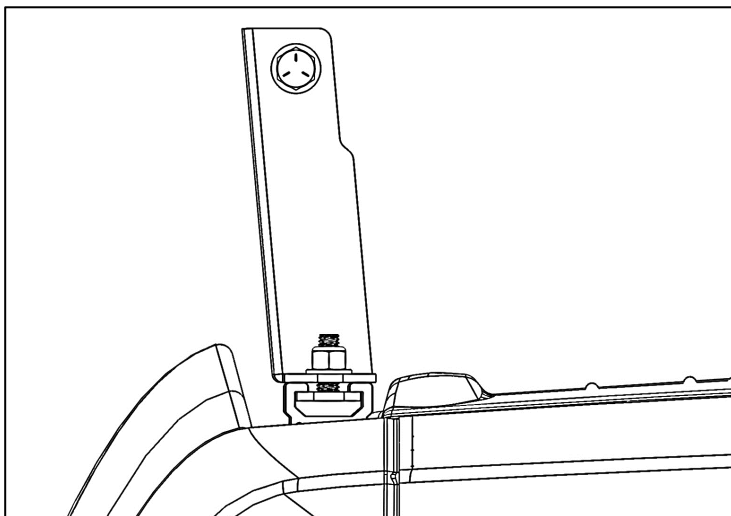
DO NOT EXCEED MANUFACTURERS WEIGHT CAPACITY FOR ROOF

Step 1 – Install Feet to Factory Rails

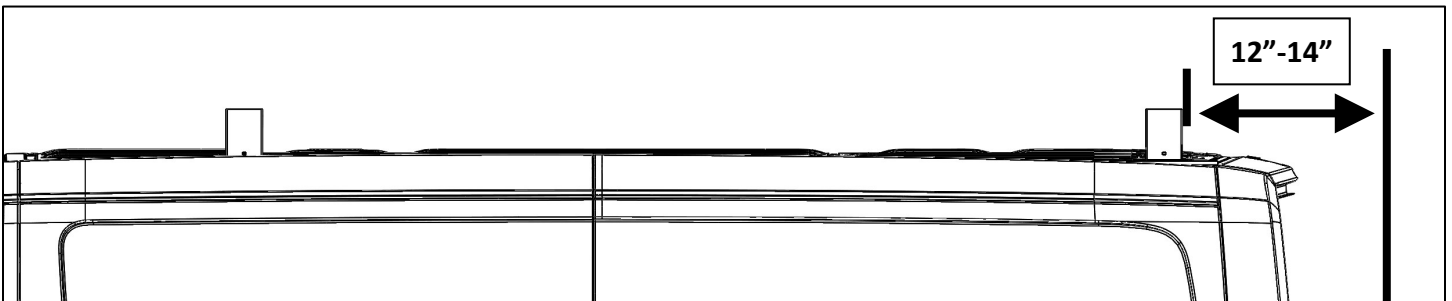
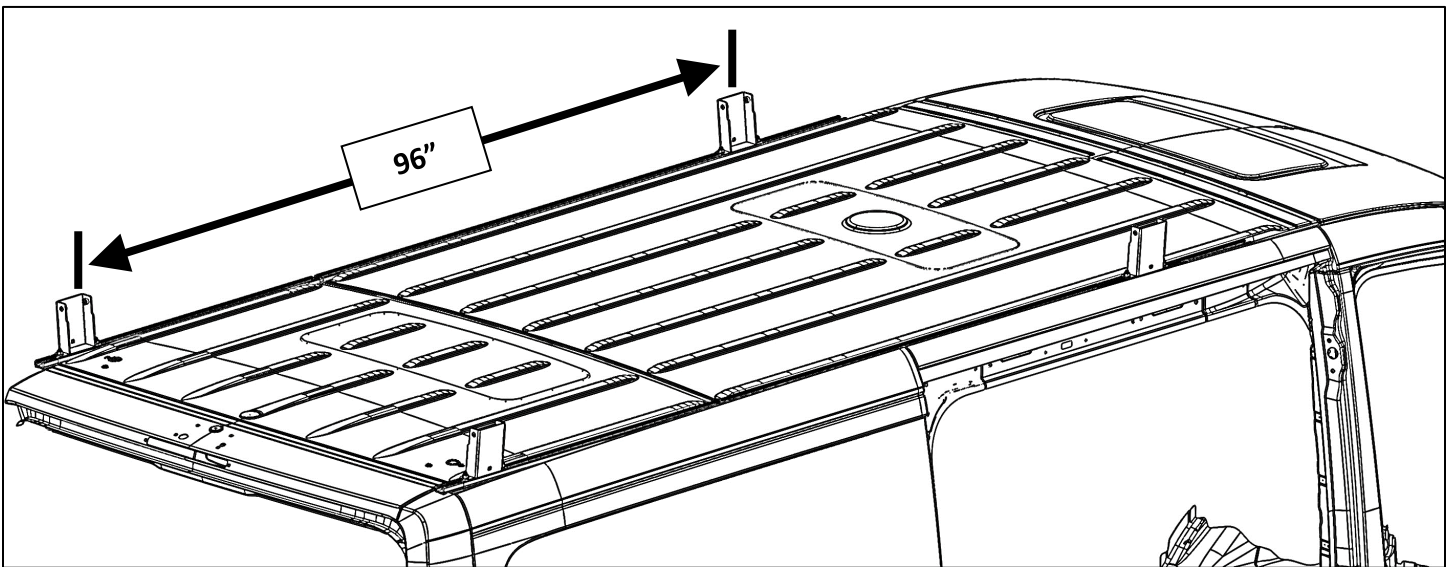
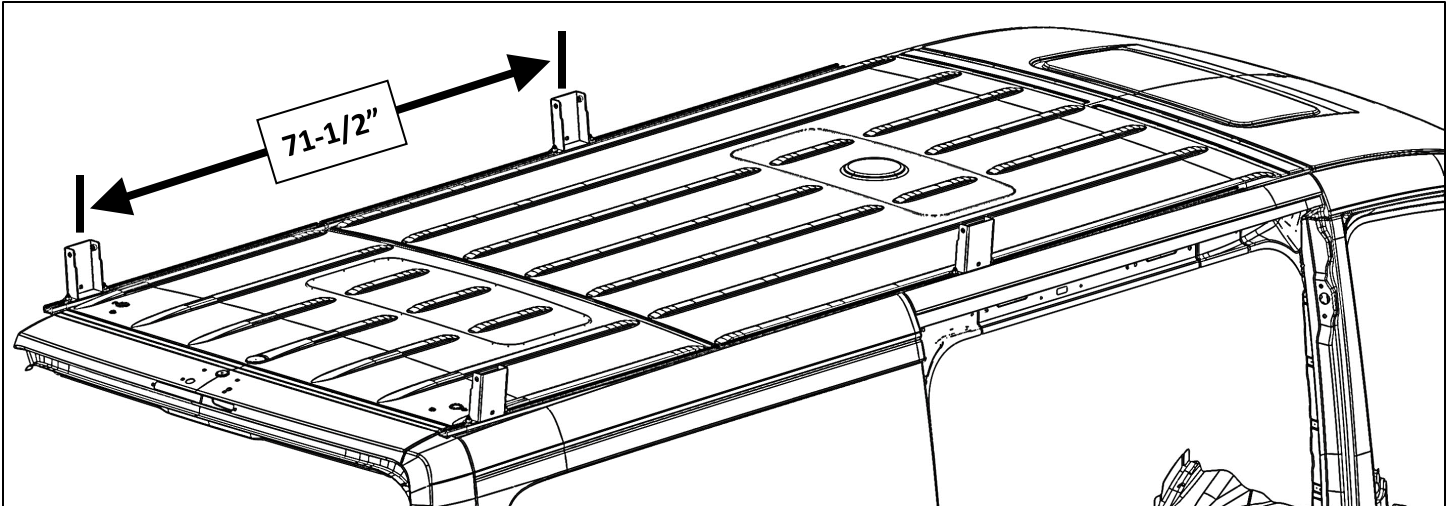
- Measure the bow center to bow center distance on rack being installed. Standard bow-to-bow distances are 71-1/2" or 96".
- Slide a rail slider into factory rail on one side of vehicle.



- Set foot over rail slider studs with saddle in foot towards center of vehicle.
- LOOSELY attach a 5/16" washer and 5/16" lock nut to each stud.
- Repeat for second foot.

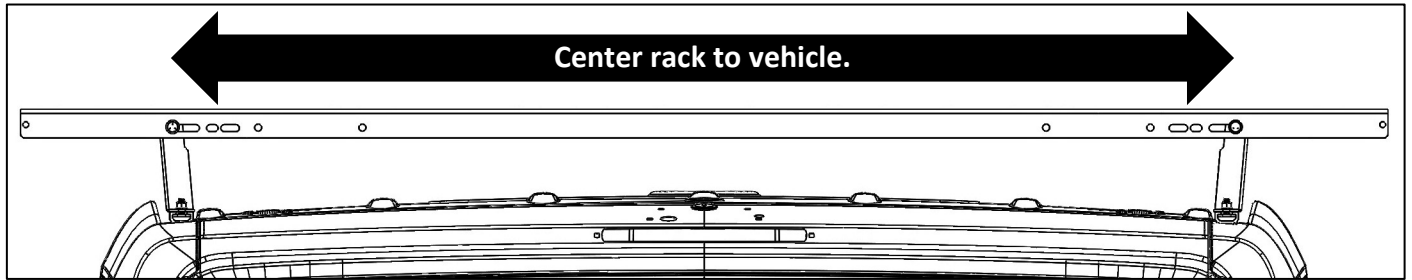


- Position feet center-to-center at the distance measured previously.
 - Standard bow-to-bow distances are 71-1/2" or 96".
 - Rear foot should be about 12" to 14" inches from the rear of vehicle for rack handle clearance.
- Loosely tighten hardware.
- Repeat for opposite side.

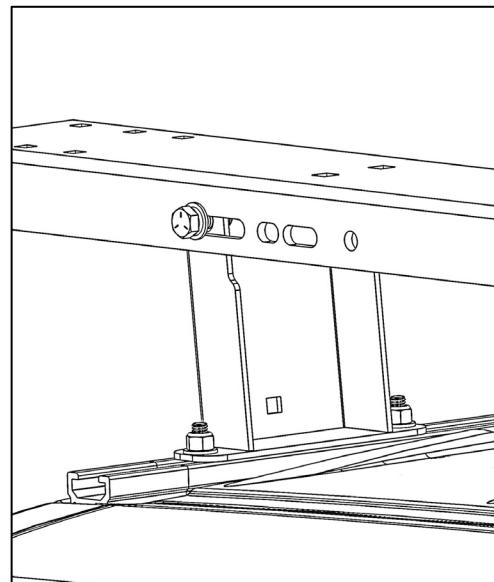
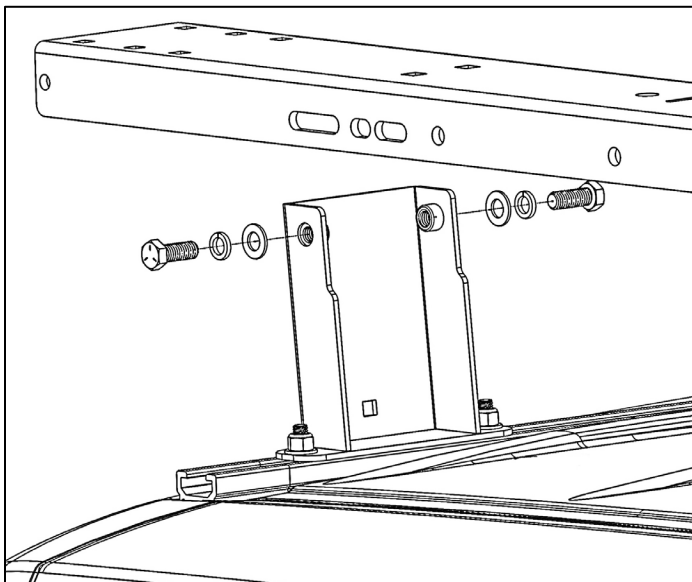


Step 2 – Install Rack to Feet

- Set rack on feet. Center rack to vehicle.



- Using 3/8" x 1" hex head bolts, 3/8" lock washers, and 3/8" flat washers, install rack bows to feet.
- Square and align rack to vehicle.
- Tighten hardware.



GO BACK AND TIGHTEN ALL HARDWARE.

ASSEMBLY AND INSTALLATION ARE COMPLETE.

