



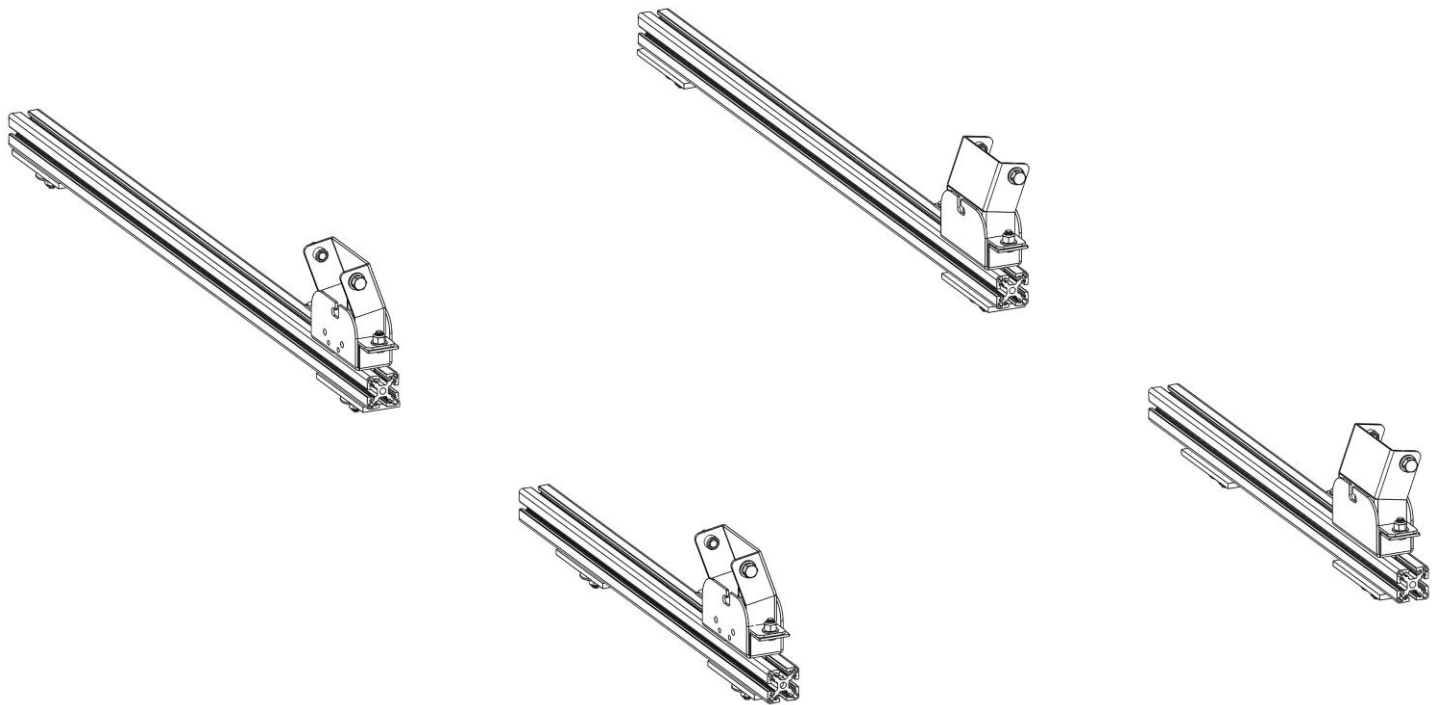
**WE PUT EVERYTHING WITHIN REACH.**

---

# Installation Guide

## 4081S

---



---

Kargo Master  
Rancho Cordova, CA 95742  
800-343-7486  
CustomerService@KargoMaster.com

---

**\*PLEASE READ ALL INSTRUCTIONS AND WARNINGS PRIOR TO ASSEMBLING, INSTALLING, AND USING THIS PRODUCT\***

**Warning**



**Always check for wires, fuel tanks and lines, brake lines and other important vehicle functionality items prior to drilling and installing all products.**

**Tools Needed**

1/2" Socket and Wrench	9/16" Socket and Wrench
1/2" Box Wrench	Tape Measure

**Table of Contents**

Table of Contents ..... 1

Before You Begin..... 1

Sprinter Mount Parts ..... 2

Hardware 18-40818-S ..... 2

Mounting Hardware 18-40818-FT ..... 3

Step 1 – Prepare Extrusion..... 4

Step 2 – Locate Mount Holes..... 4

Step 3 – Attach Mount Rails ..... 5

Step 4 – Attach Mount Block ..... 7



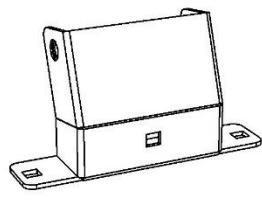
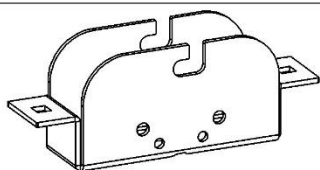
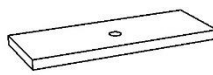
Step 5 – Attach Mount Feet..... 8

Step 6 – Mount Rack to Feet..... 9

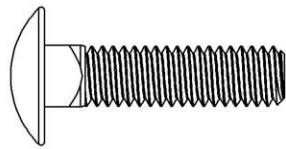
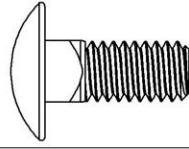
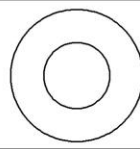
**Before You Begin**

- Read all instructions prior to installing any Kargo Master product.
- **Be sure to put sealant around all threads entering cargo area and between the rubber spacer and roof of vehicle to prevent water from leaking into cargo area.**
- Follow rack assembly instructions to assemble rack.

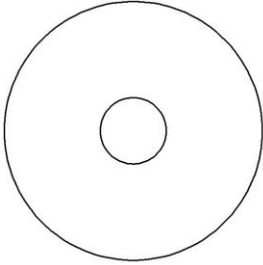
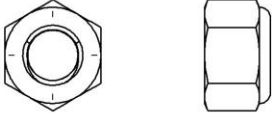
**Sprinter Mount Parts**

ITEM NO.	ITEM	PART NUMBER	DESCRIPTION	QTY
1		40818-S-002	SPRINTER RAIL LONG	2
2		40818-S-003	SPRINTER RAIL, SHORT	2
3		100862	SPRINTER HR FOOT	4
4		40818-20-003-R1	RAISED FOOT BRACKET	4
5		40818-10-003-R1	TRANSIT AND SPRINTER RUBBER PAD	8
6		18-40818-S	SPRINTER BOLT KIT	
7		18-40818-FT	FOOT BOLT KIT	

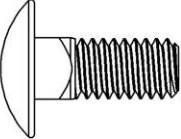
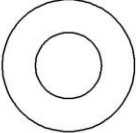
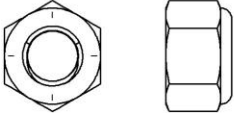
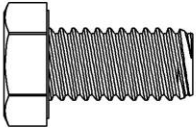
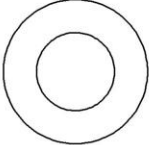
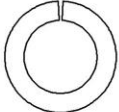
**Hardware 18-40818-S**

ITEM	HARDWARE TO SCALE	PART NUMBER	DESCRIPTION	QTY.
1		11137256	5/16"-18 X 1-1/4" CARRIAGE BOLT	8
4		21810	5/16"-18 X 3/4" CARRIAGE BOLT	8
3		11545144	5/16" FLAT WASHER	8

**Hardware 18-40818-S (Continued)**

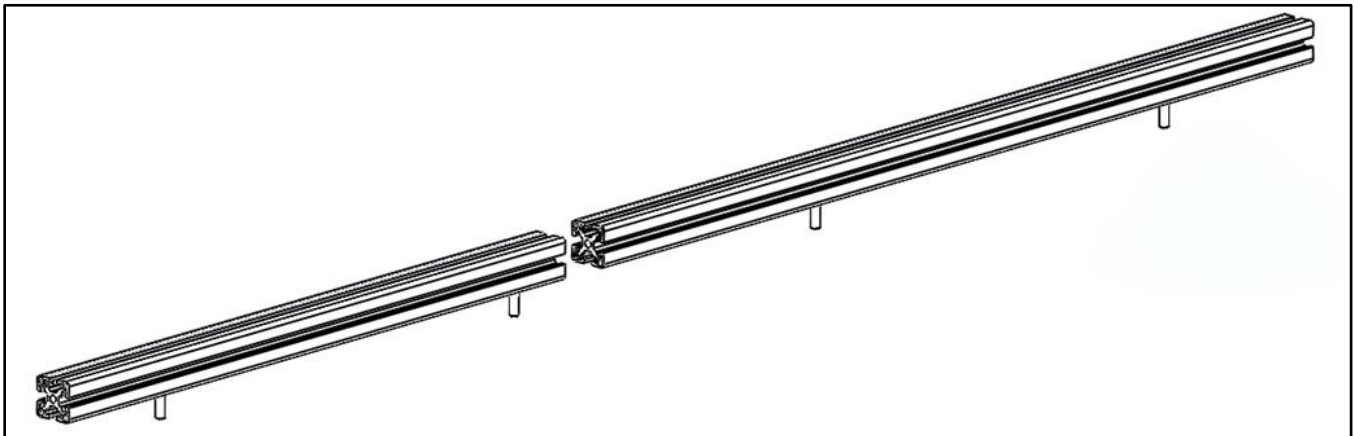
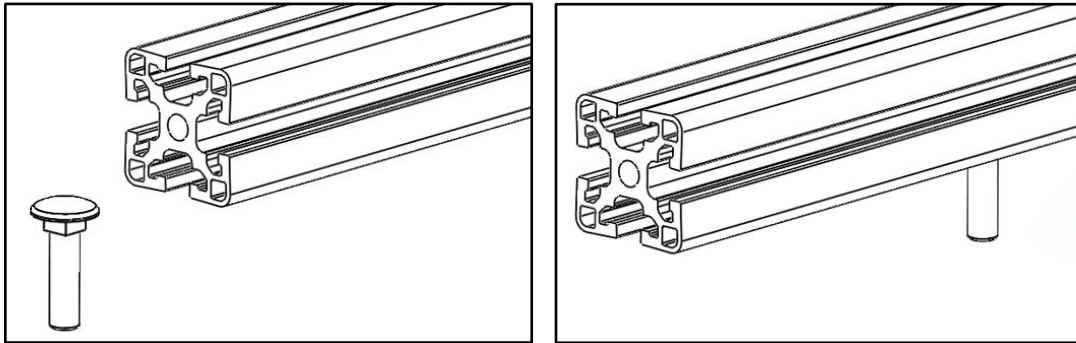
ITEM	HARDWARE TO SCALE	PART NUMBER	DESCRIPTION	QTY.
4		33216	5/16" FENDER WASHER	8
5		0169777	5/16"-18 LOCK NUT	16

**Mounting Hardware 18-40818-FT**

ITEM	HARDWARE TO SCALE	PART NUMBER	DESCRIPTION	QTY.
1		21810	5/16"-18 X 3/4" CARRIAGE BOLT	16
2		33080	5/16" WASHER	16
3		0169777	5/16"-18 LOCK NUT	16
4		11241196	3/8"-16 X 3/4" HEX HEAD BOLT	8
5		11541089	3/8" WASHER	8
6		0123496	3/8" SPLIT LOCK WASHER	8

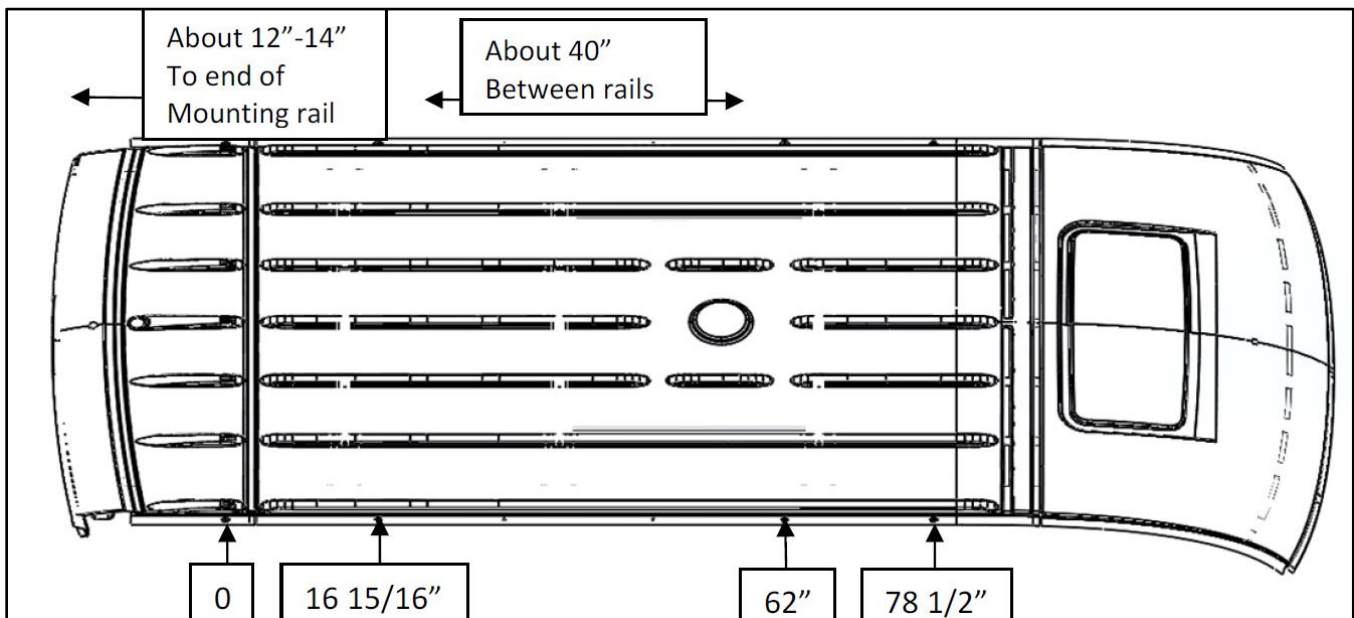
## Step 1 – Prepare Extrusion

- Slide two 5/16" x 1-1/4" carriage bolts into each rail piece.



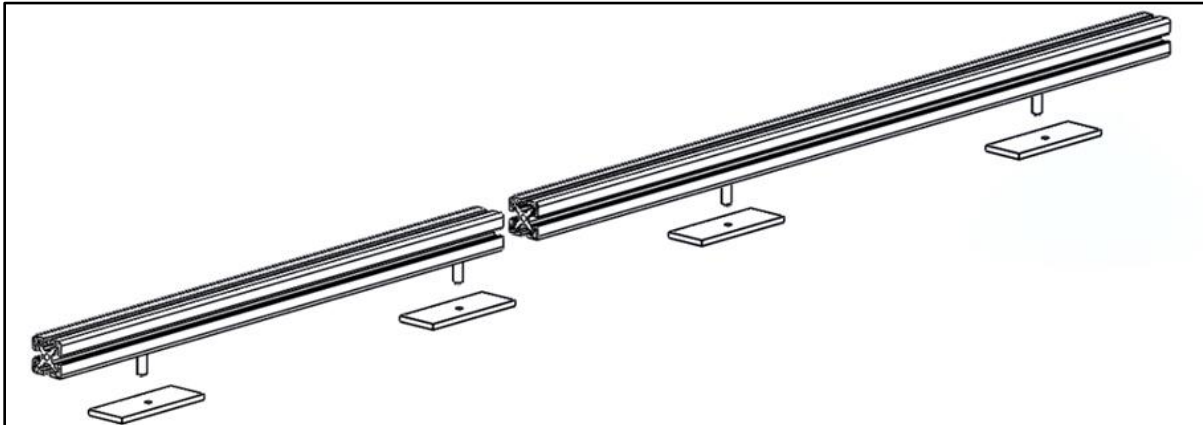
## Step 2 – Locate Mount Holes

- Locate the two rear most factory bosses and drill out using a 5/16" drill bit, about 16-15/16" apart.
- Skip the next two bosses, then drill the forward two (at about 62" and 78.5" from the rear most hole).
- Some roof heights and wheelbases will vary. Your mounting rails should allow the rack to be mounted approximately between 14" to 18" from the rear of the van and have about 40" between mounting rails.

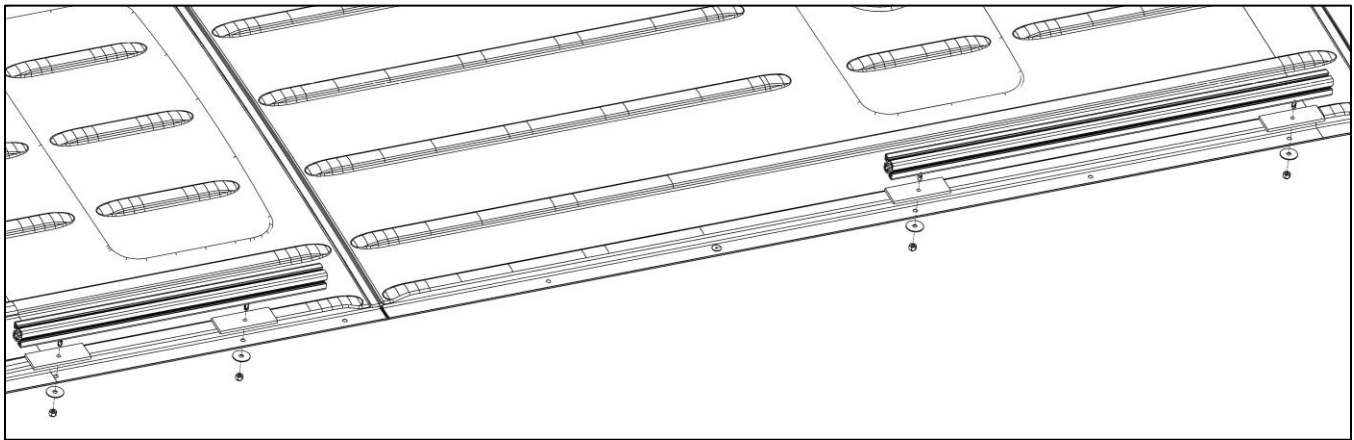


### Step 3 – Attach Mount Rails

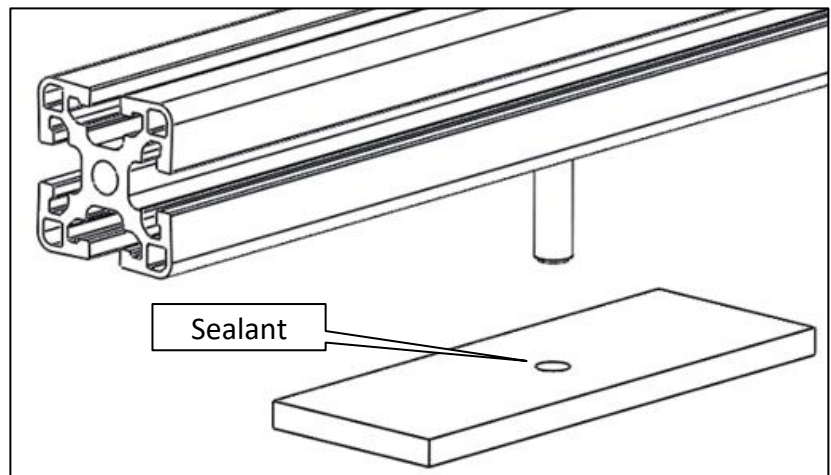
- Put rubber pad onto carriage bolts and align them with the holes drilled in previous step.



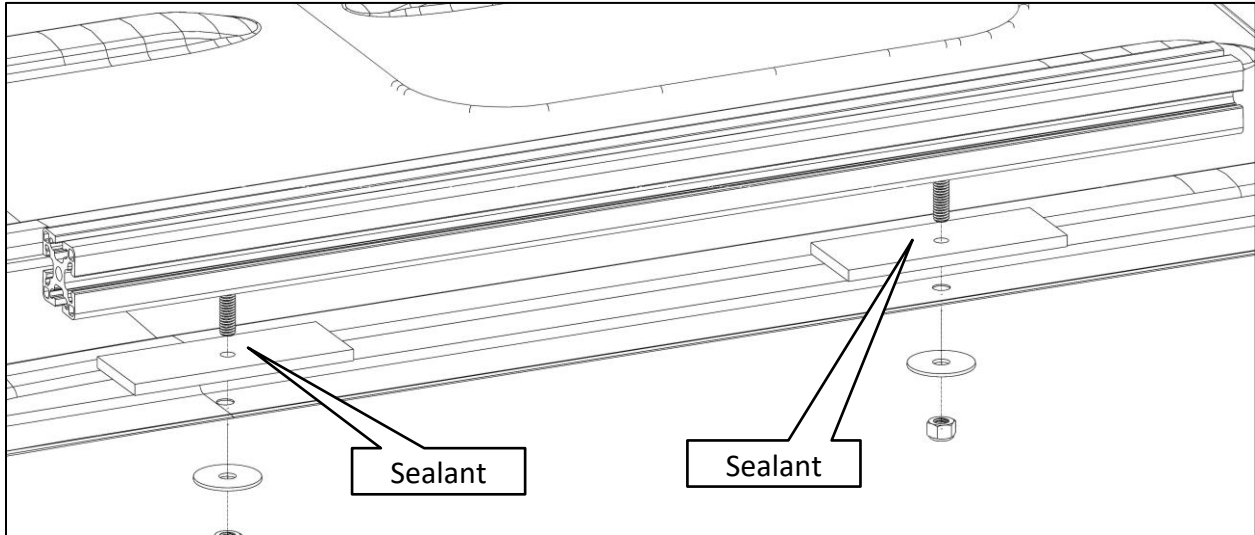
**\*\*PICTURE SHOWN ABOVE DOES NOT ACCURATELY SHOW SPACING BETWEEN RAILS\*\***



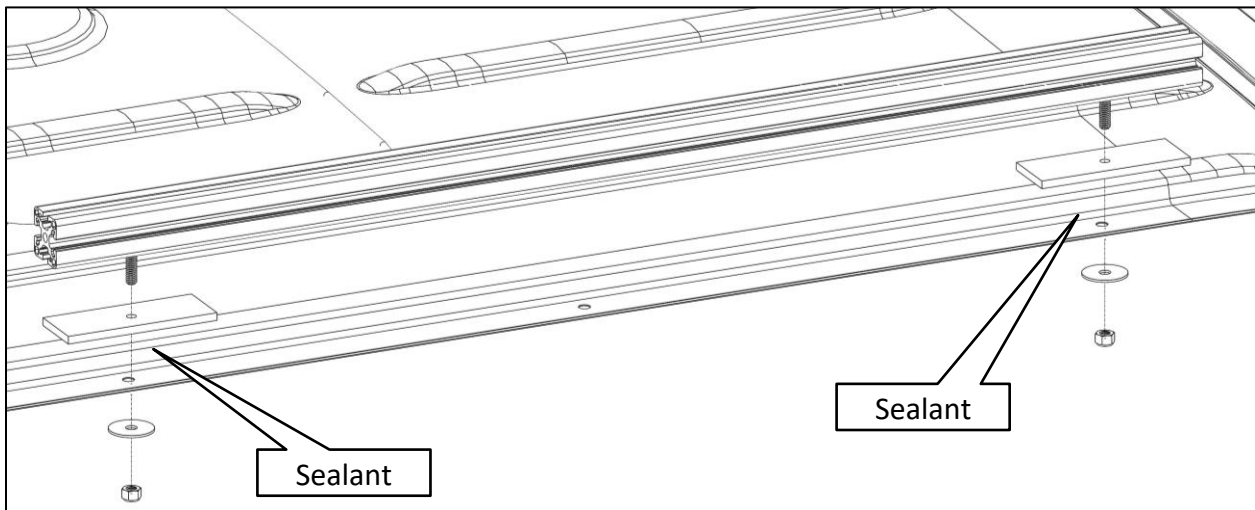
- Place sealant in between rubber pad and the roof.
- The shorter rail goes to the rear of the van with approximately 6" of the rail behind the carriage bolt.



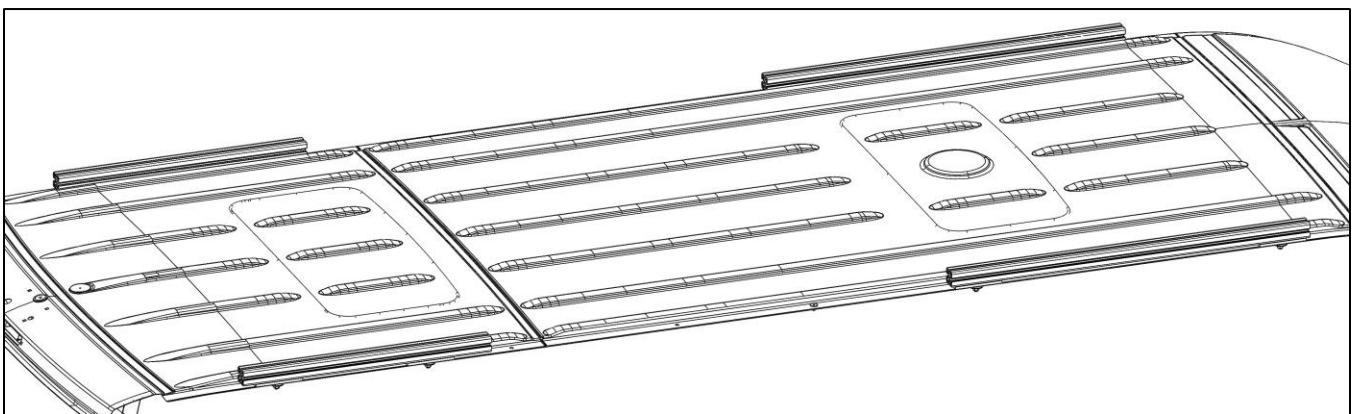
- Bolt through the roof using previously installed carriage bolts, 5/16" fender washers and 5/16" lock nuts.
- Be sure to put sealant around the hole in the roof to ensure no water leaks into van.



- Place longer rail on roof, towards front of van, with carriage bolts aligned with holes drilled. Keep approximately 40" in between the front and rear rails.
- Place sealant in between rubber pad and the roof.
- Bolt through the roof using previously installed carriage bolts, 5/16" fender washers and 5/16" lock nuts.
- Be sure to put sealant around the hole in the roof to ensure no water leaks into van.

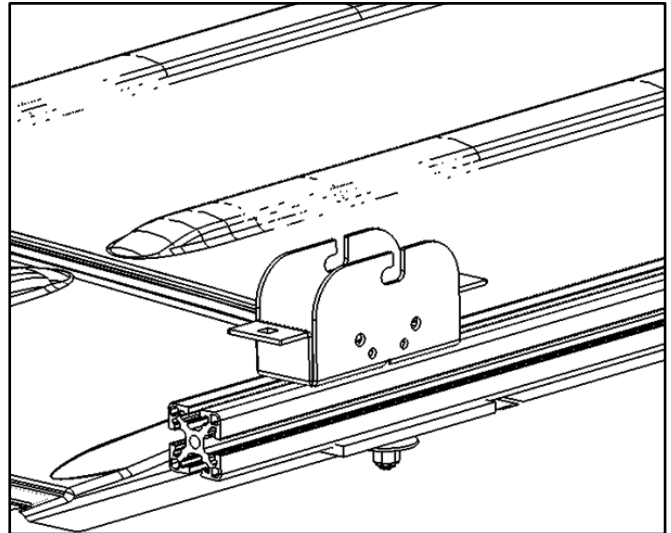
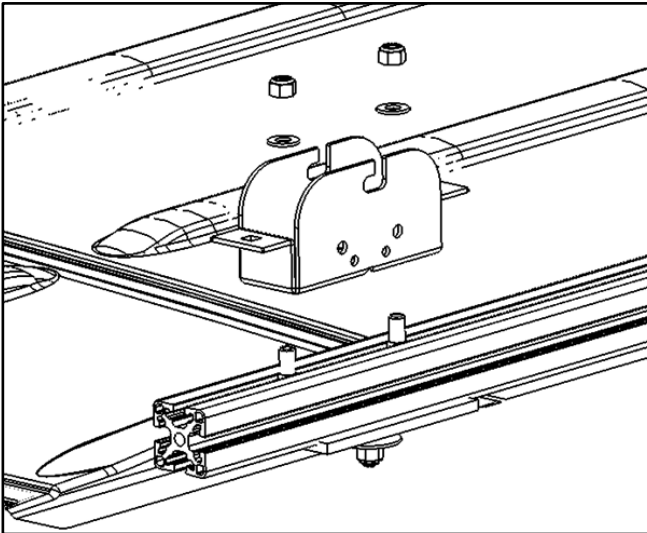


- Snug tighten, but allow movement.
- Repeat this entire step on driver side.

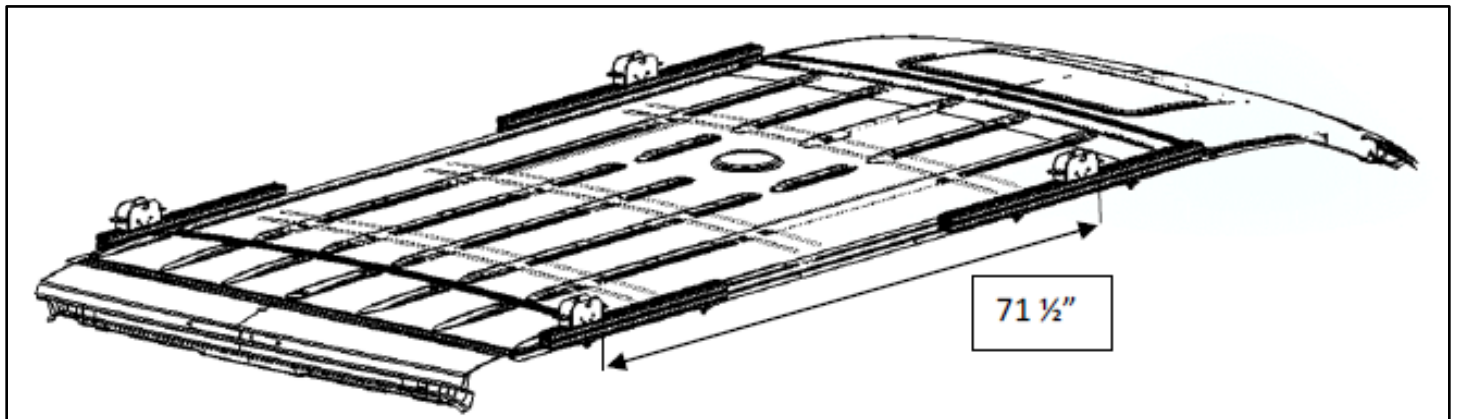


### Step 4 – Attach Mount Block

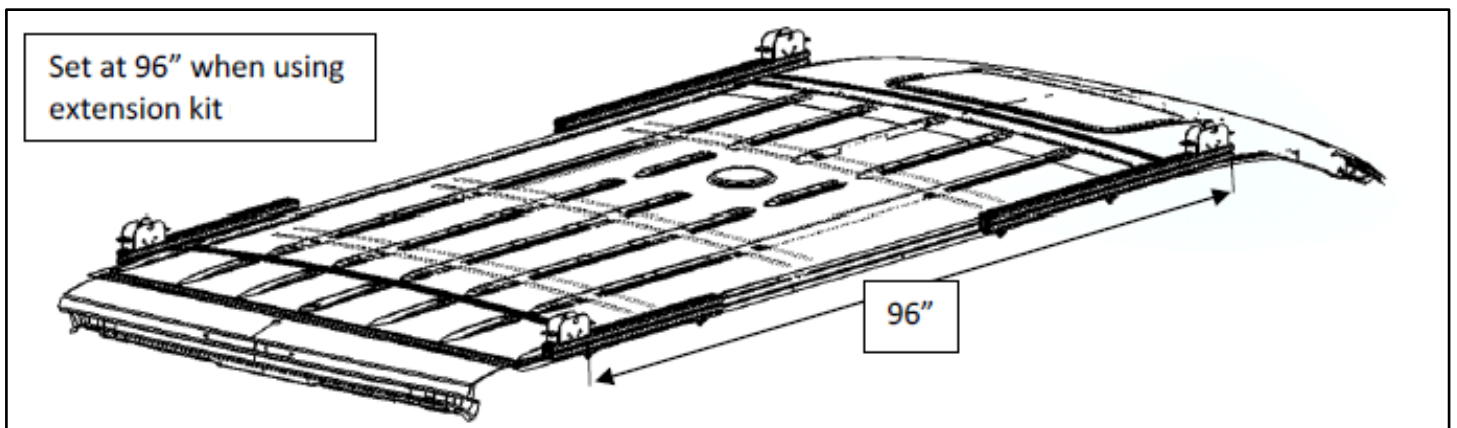
- Slide two 5/16" x 3/4" carriage bolts into the top slot on each rail piece.
- Place mount block on top of each carriage bolt.
- Bolt together using the carriage bolts, two 5/16" flat washers and two 5/16" lock nuts.



Space mount blocks 71.5" apart for a standard installation.



Space mount blocks 96" apart for an extended installation.

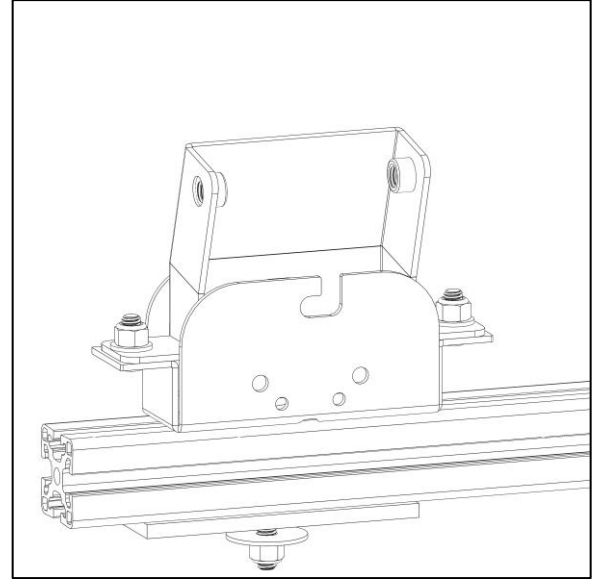
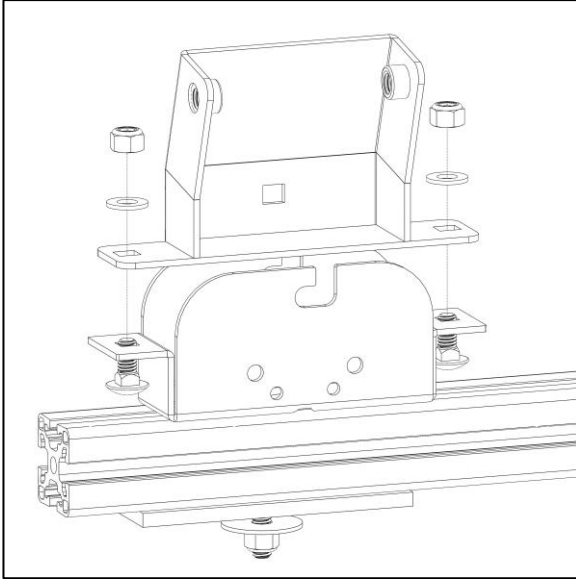


- Snug Tighten, but allow brackets to move.

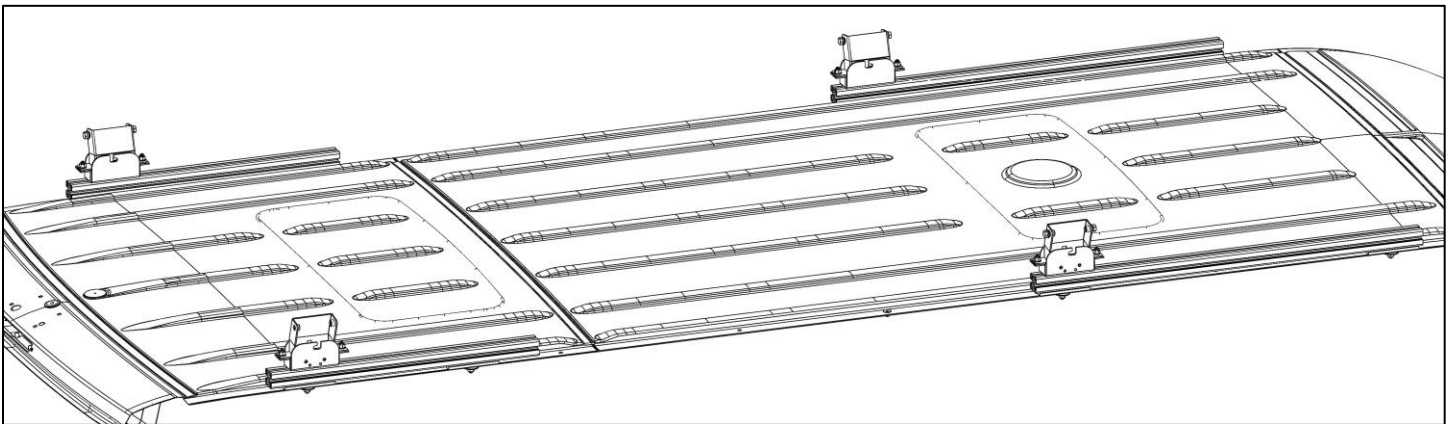


## Step 5 – Attach Mount Feet

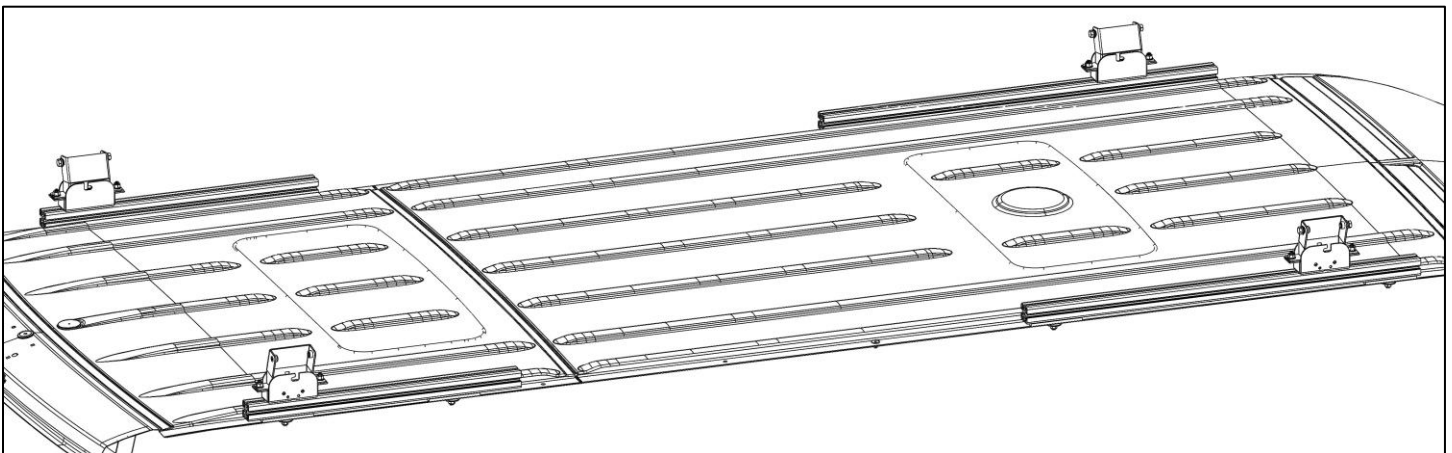
- Mount feet to previously installed mount blocks using two 5/16" x 3/4" carriage bolts, two 5/16" flat washers and two 5/16" lock nuts.
- The carriage bolt can face upward or downward based on preference.
- Repeat for remaining three mount blocks.



**Approximately 71.5" apart.**

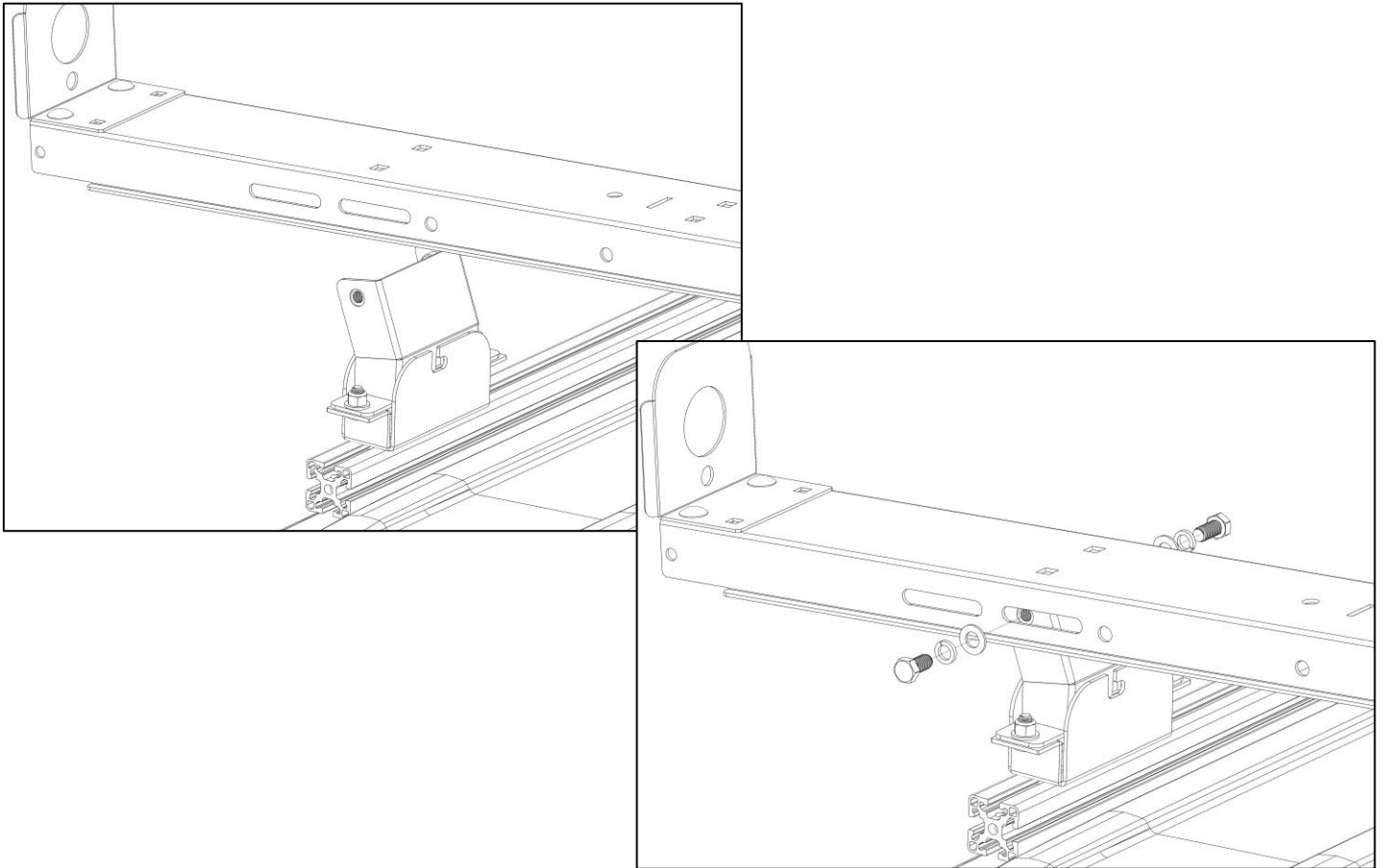


**Approximately 96" apart.**



## **Step 6 – Mount Rack to Feet**

- If the rack is being assembled on the vehicle, set rack on top of installed feet, and center rack to vehicle, side to side.
- If the rack will be assembled off the vehicle, measure the distance between the center of the left and right rails. Mount the feet to the rack with the bottom of the mounting feet, at the distance measured and centered to the rack.
- For each foot, bolt the bows to feet using two 3/8" x 3/4" hex head bolts, two 3/8" lock washers, and two 3/8" flat washers.
- Tighten.



**GO BACK AND ENSURE ALL HARDWARE IS TIGHT.**

**YOUR INSTALLATION IS NOW COMPLETE.**