

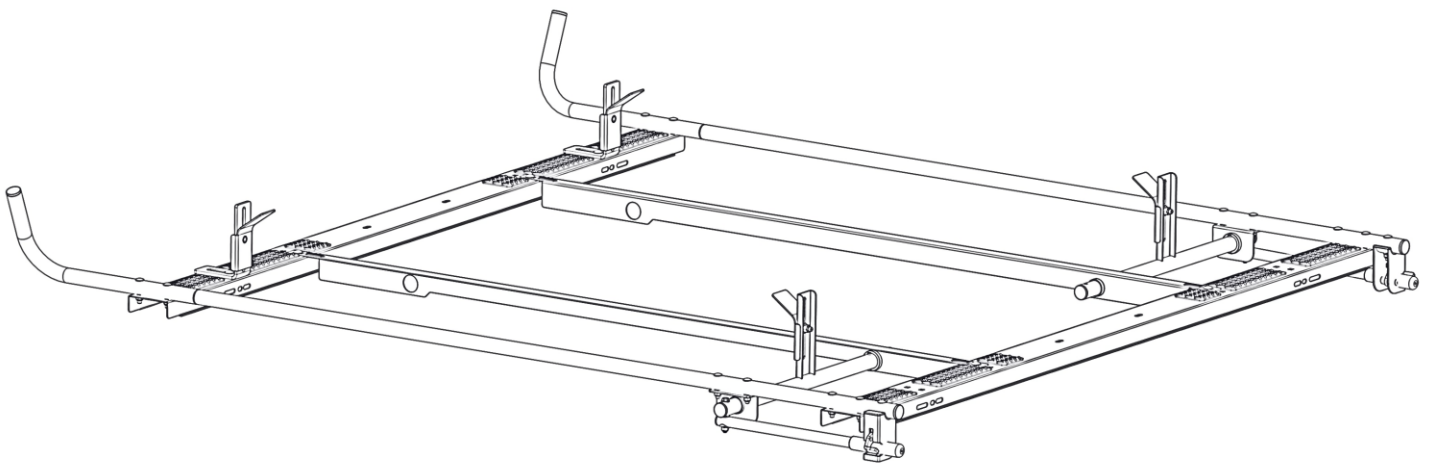
# Holman

---

## Installation Guide

4081L

---



---

Holman  
Rancho Cordova, CA 95742  
800-343-7486  
InstallationSupport@Holman.com

---

**\* PLEASE READ ALL INSTRUCTIONS AND WARNINGS PRIOR TO ASSEMBLING, INSTALLING, AND USING THIS PRODUCT. \***

## Warning



**Always check for wires, fuel tanks and lines, brake lines and other important vehicle functionality items prior to drilling and installing all products.**

## Tools Needed

1/2" Wrench and Socket	9/16" Wrench and Socket
------------------------	-------------------------


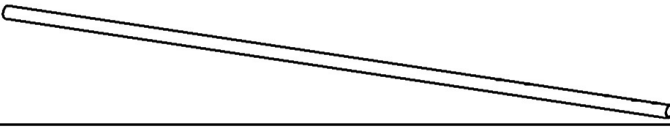
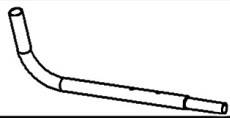
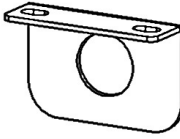
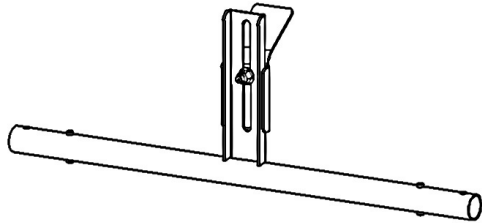
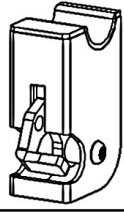
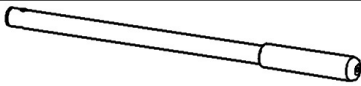
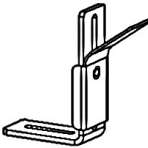
## Table of Contents

Before You Begin.....	1
Parts List.....	2
Hardware .....	3
Step 1 – Remove Ladder End Stops .....	4
Step 2 – Install Side Tube .....	4
Step 3 – Install Hanger Bracket.....	5
Step 4 – Attach Clamp Tube and L-bracket.....	6
Step 5 – Mount Handle .....	8
Step 6 – Mount Latch Assembly .....	9
Step 7 – Install Ladder Hook to Bow.....	9
Angle Pad Orientations and Locations.....	11
Clamp Mechanism Orientation and Angled Pad Positions.....	11
Examples of Ladder Clamps Firmly Against Ladder Rungs .....	11

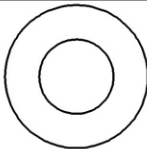
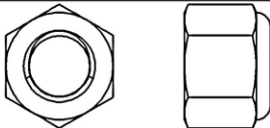
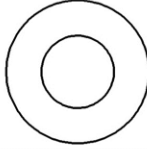
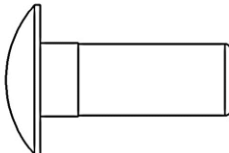
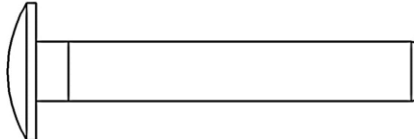
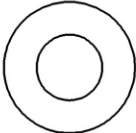

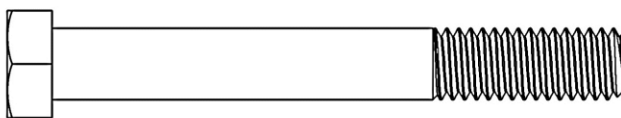

## Before You Begin

- Read all instructions prior to assembling or installing any Holman product.
- Have vehicle specific mount kit installed on vehicle.
- Most times it is easier to assemble on top of the roof, after the mount kit has been installed.
- **DO NOT EXCEED MANUFACTURERS WEIGHT CAPACITY FOR ROOF.**
- **Be sure to adjust ladder clamps accordingly to secure ladder firmly to rack. To adjust, refer to Clamp and Lock adjustment guide.**

## Parts List

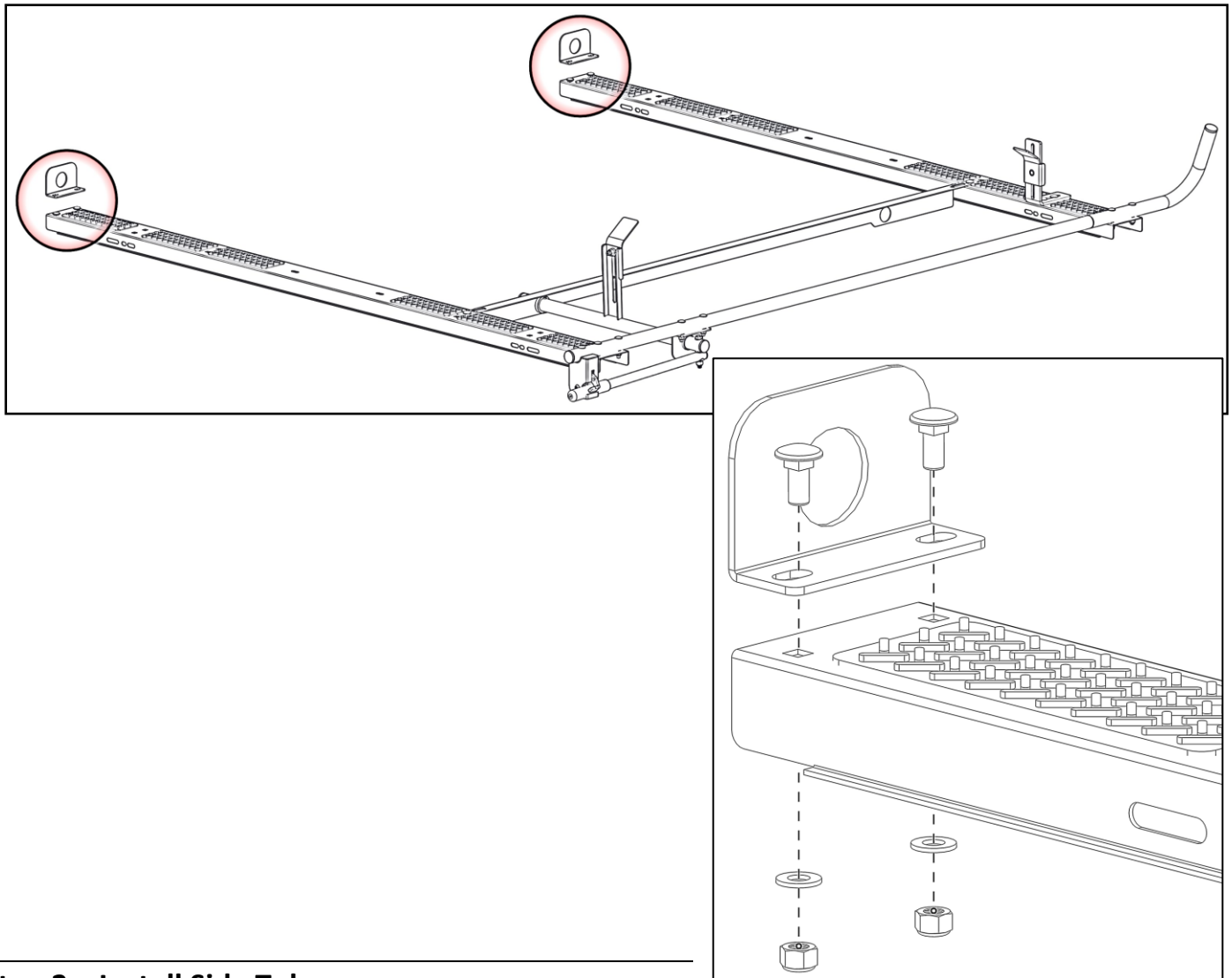
ITEM NO.		PART NUMBER	DESCRIPTION	QTY
A		11-03005	Long Angle L-Bracket	1
B		40800-51	Tube	1
C		40800-52-L	J-Tube	1
D		11-03027	Angle Brkt	1
E		13-03007	Rotating Clamp	1
F		40813-44	Latch Assembly	1
G		13-03008	Handle	1
H		13-03009	Ladder Stop	1
		18-4081L	Hardware Kit	1

## Hardware

ITEM	HARDWARE TO SCALE	PART NO.	DESCRIPTION	QTY.
1		90295A170	3/8" Nylon Washer	1
2		95615A140	3/8"-16 Nyloc Nut	5
3		90126A031	3/8" Flat Washer	5
4		90185A624	3/8"-16 x 1" Carriage Bolt	4
5		90185A591	5/16"-18 x 2" Carriage Bolt	7
6		.312 FLAT WASHER	5/16 Flat Washer	7
7		95615A160	5/16"-18 Nyloc Nut	7
8		91247A636	3/8"-16 x 3" Hex Head	1
9		40800-10-007	PLASTIC BUSHING Scale 1:2	2
10		91844A370	3/8" Contour Washer	1
11		BH-821	Sealant	1

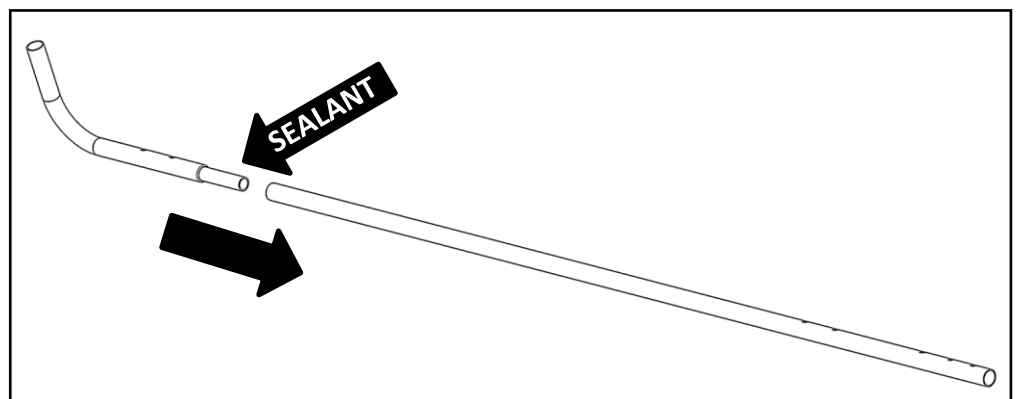
## Step 1 – Remove Ladder End Stops

- If haven't already done so, remove ladder stops from the opposite end of both bows where the existing ladder rack is installed.

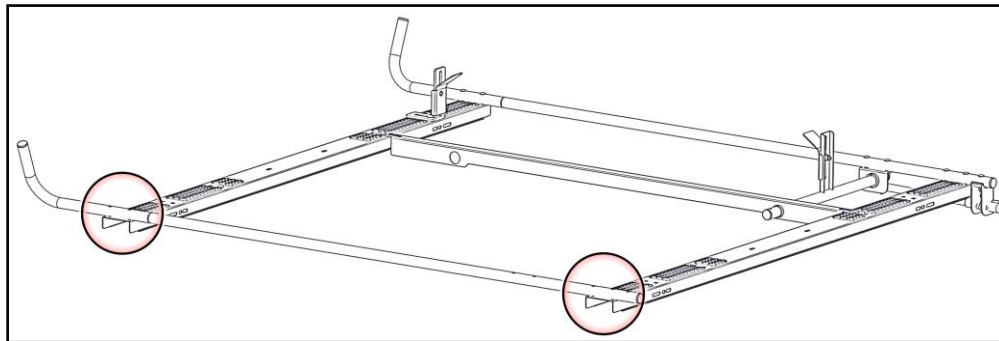


## Step 2 – Install Side Tube

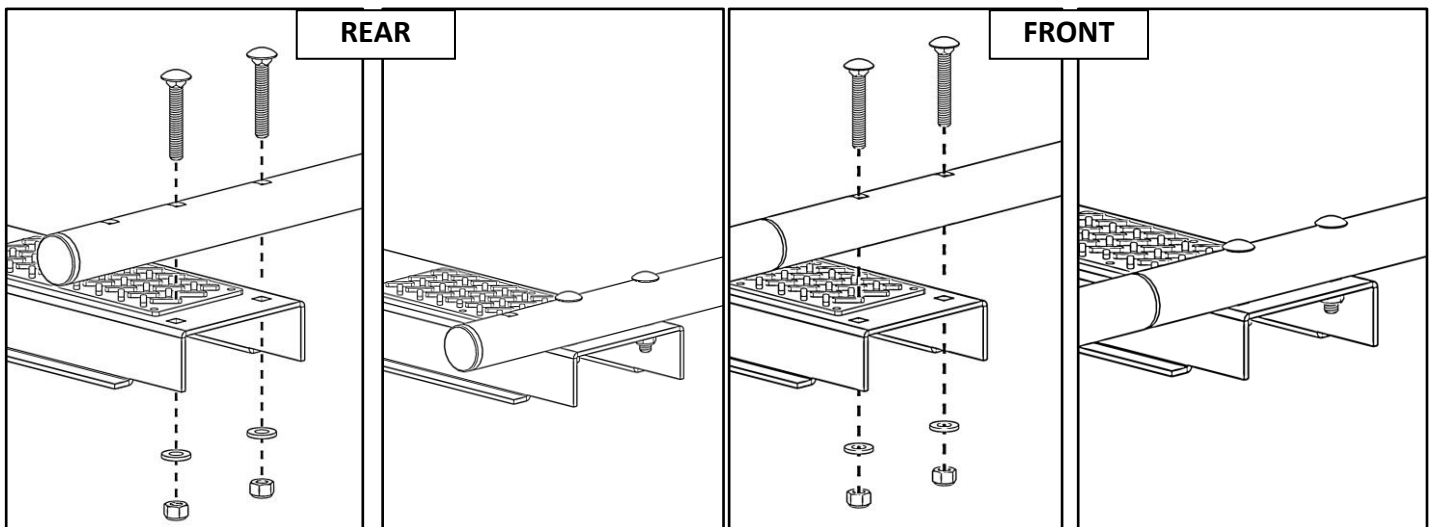
- Insert the J-tube into the tube as shown.
- Place sealant along the swage joint.



- Place J-tube assembly on top of the installed bows. Be sure the J-Tube is oriented with hook towards front and outside of vehicle.
- **Leave one square slot open at the rear of the tube.**

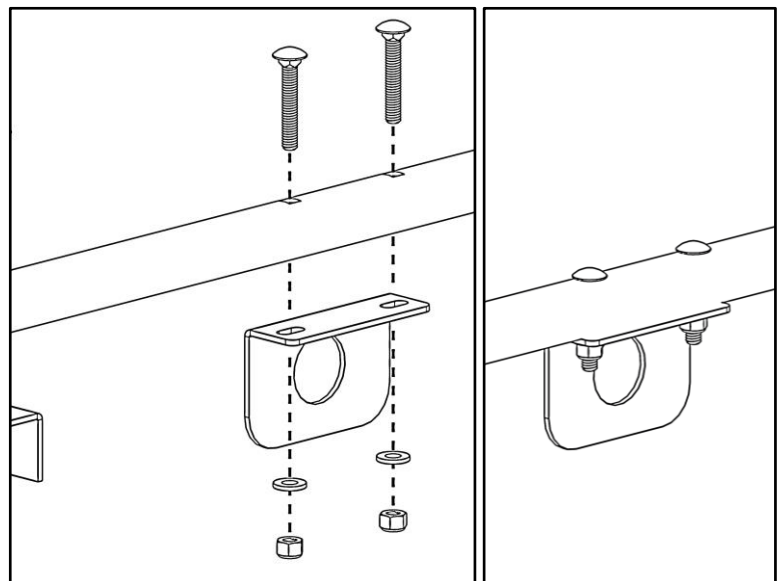


- Mount the tube assembly to the bows using 5/16" x 2" carriage bolts, 5/16" flat washers and 5/16" lock nuts.



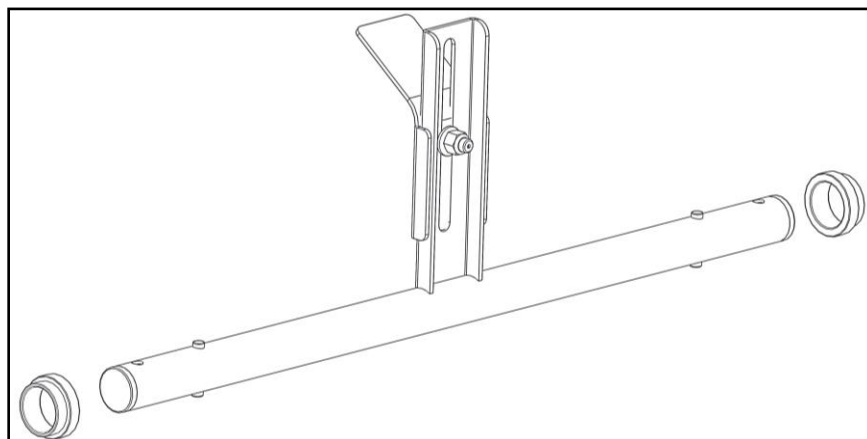
### Step 3 – Install Hanger Bracket

- Mount the angle bracket to the underside of the tube assembly in the orientation shown using 5/16" x 2" carriage bolts, 5/16" flat washers and 5/16" lock nuts. **Be sure to have the angle bracket offset to the center of the vehicle.**

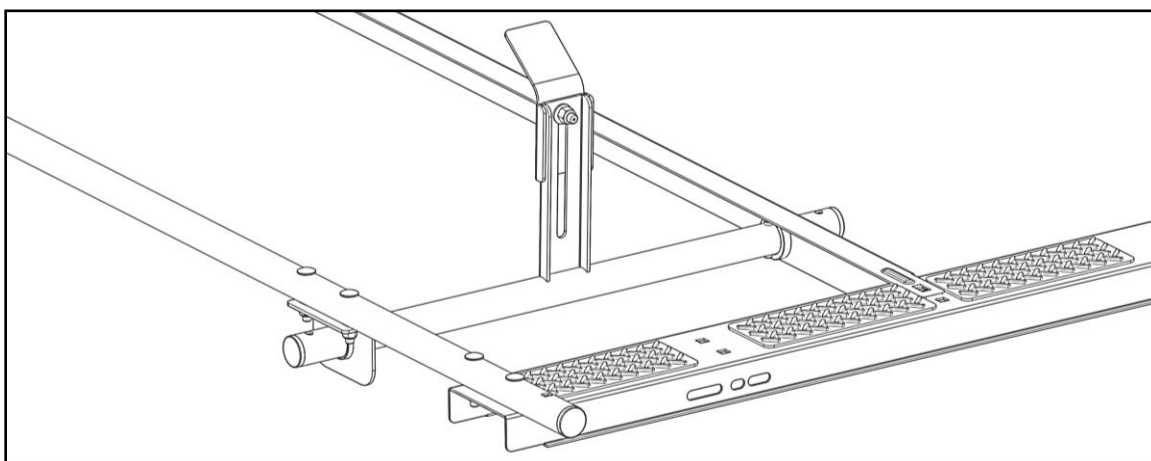
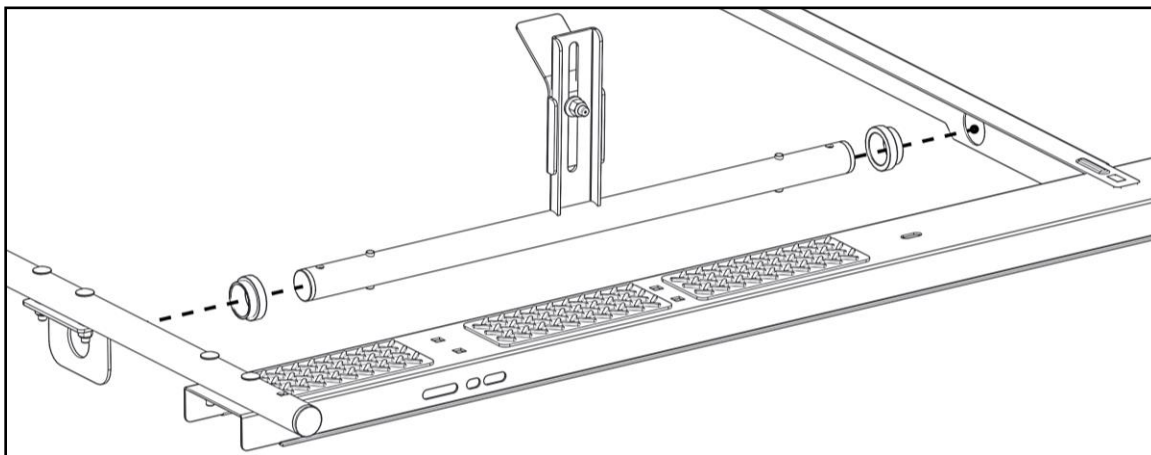


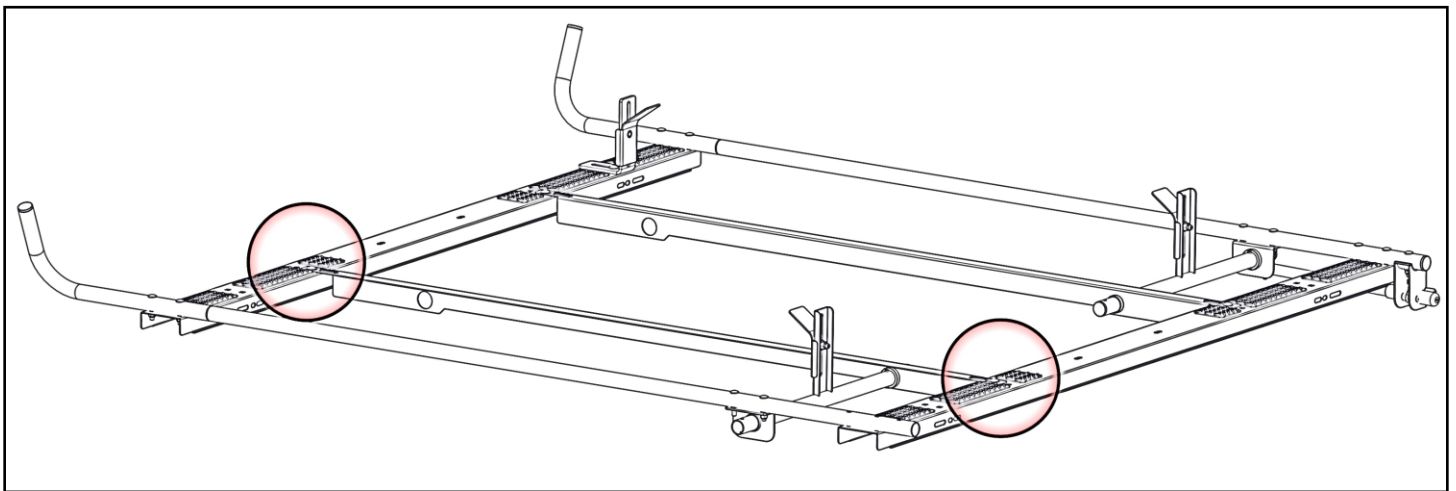
## Step 4 – Attach Clamp Tube and L-bracket

- Place the plastic bushings on the rotating clamp in the orientation shown. Be sure to have the long flange of the L bracket to the center of the vehicle.

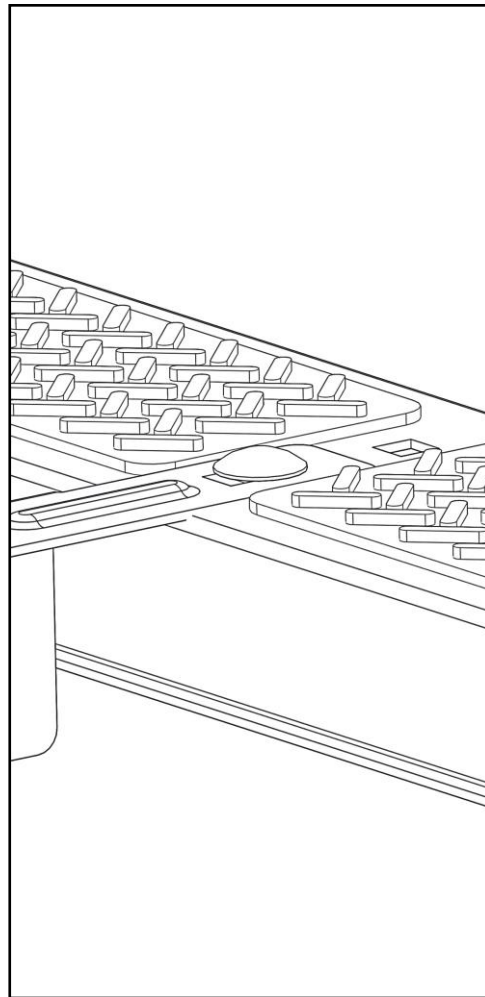
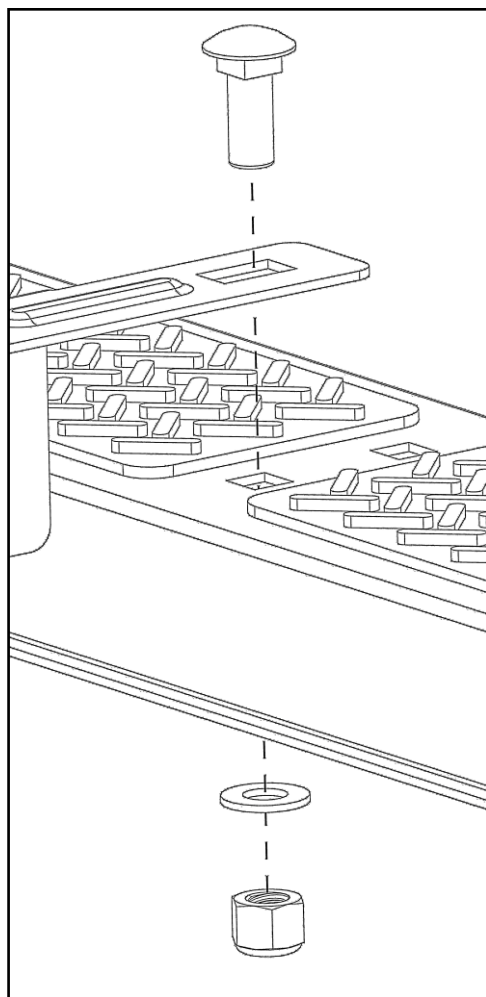


- Place the long angle bracket on top of the bows as shown. Have the bend offset to the center of the vehicle.
- Insert the bushings into the long angle bracket and the angle bracket. **Be sure to install the bushings in an orientation so they CANNOT fall out.**





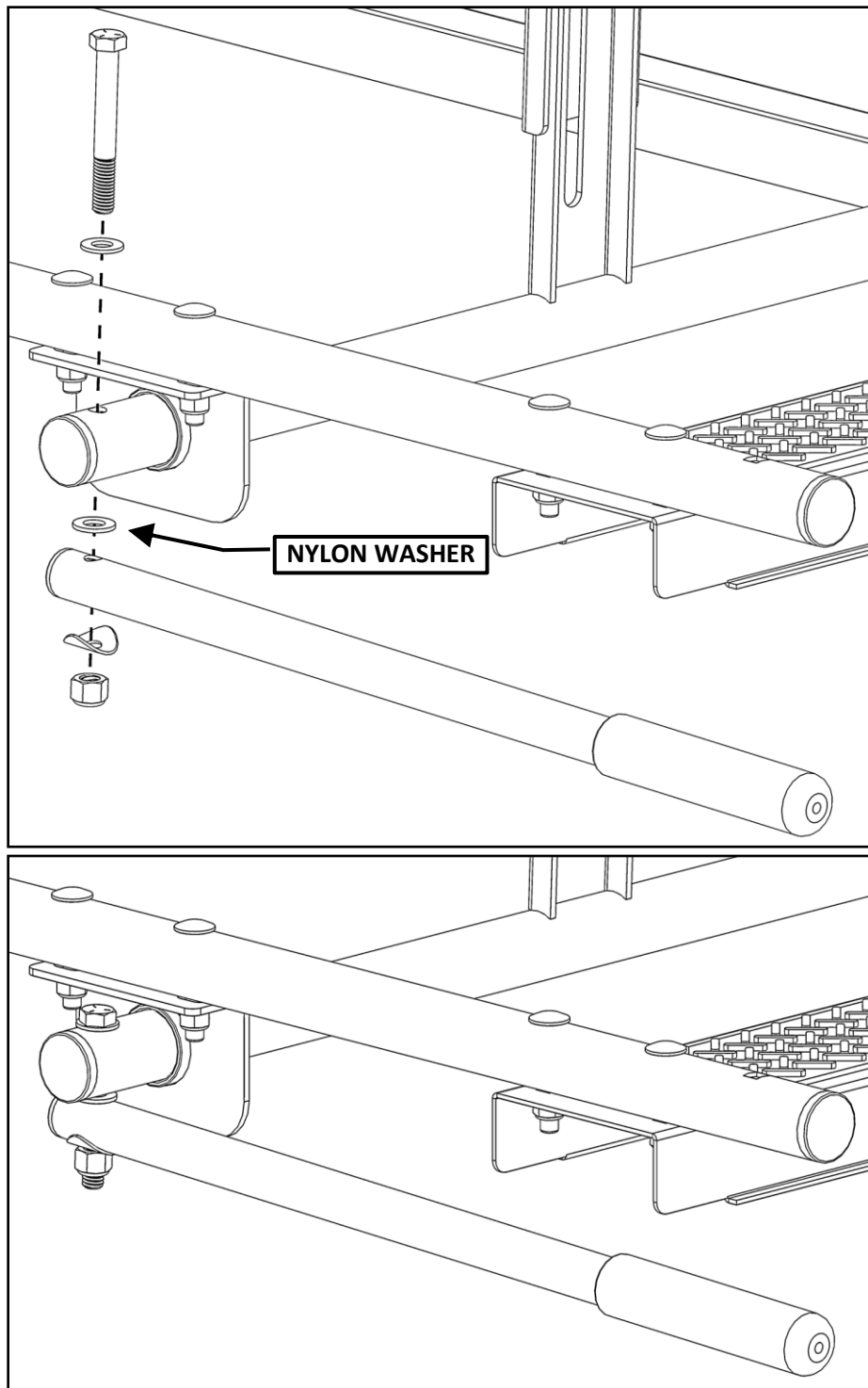
- Attach the long L-bracket to both bows in the orientation shown using 3/8" x 1" carriage bolts, 3/8" flat washers and 3/8" lock nuts.





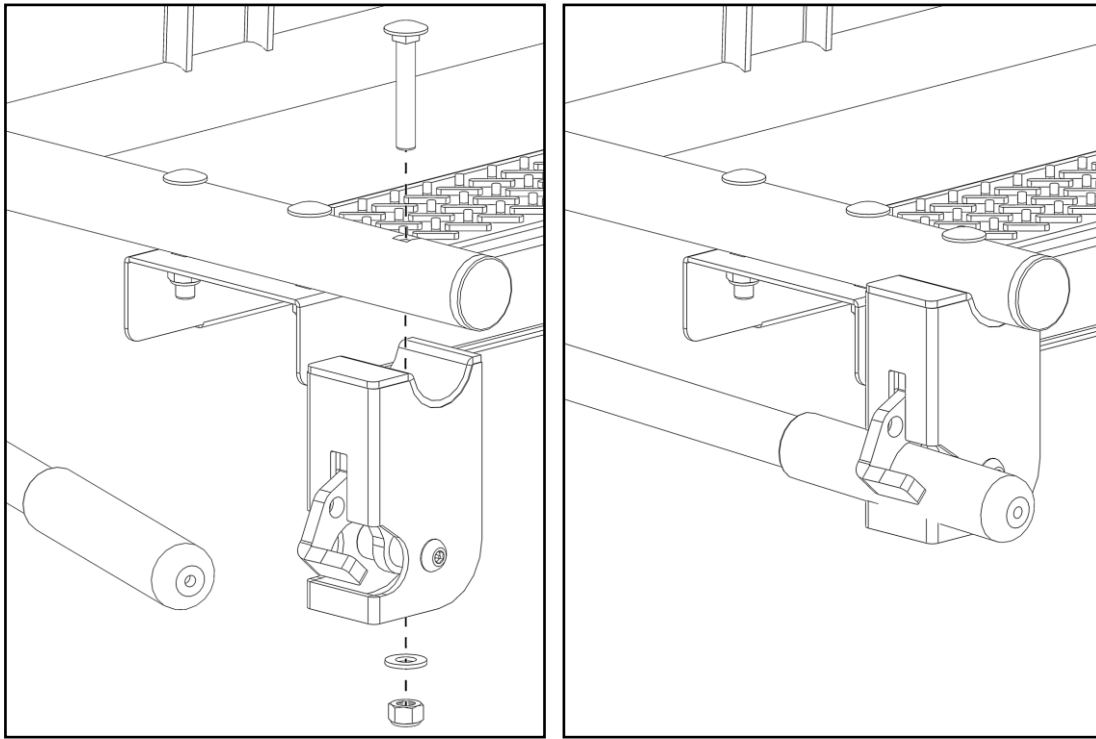
## Step 5 – Mount Handle

- Bolt the handle to the rotating clamp in the order shown using a 3/8" x 3" hex head, a 3/8" flat washer, 3/8" nylon washer, 3/8" contour washer and a 3/8" lock nut. The nylon washer goes in between the rotating clamp and the handle. The contour washer goes against the handle.
- DO NOT overtighten. Handle should rotate freely.



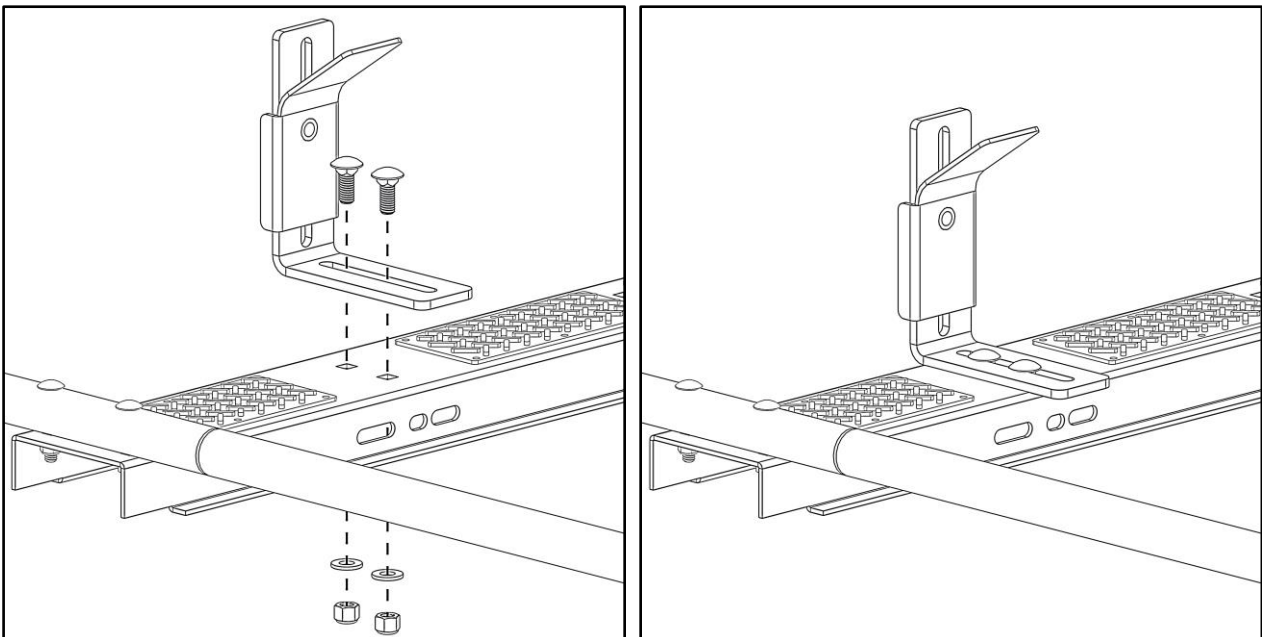
## **Step 6 – Mount Latch Assembly**

- Attach the latch assembly to the rear most square hole in the tube using 5/16" x 2" carriage bolt, 5/16" flat washer and 5/16" lock nut.



## **Step 7 – Install Ladder Hook to Bow**

- Bolt the ladder hook bracket to the front bow in the orientation shown using two 3/8" x 1" carriage bolts, two 3/8" flat washers and two 3/8" lock nuts.
- TIGHTEN.
- **Adjust ladder hooks to fit ladder.**

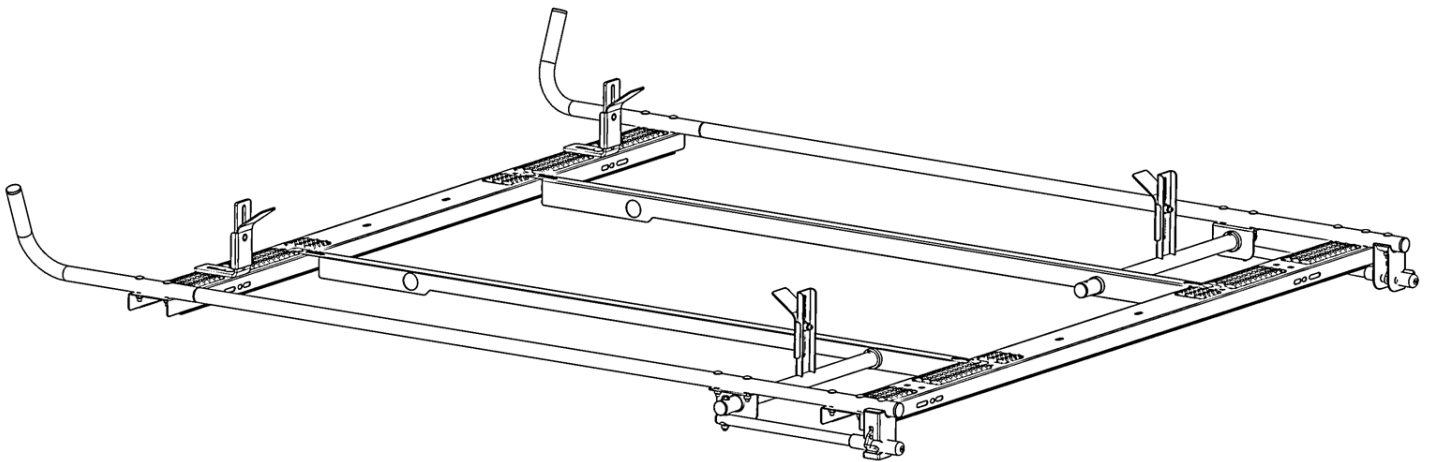


**GO BACK AND ENSURE ALL HARDWARE IS TIGHT.**

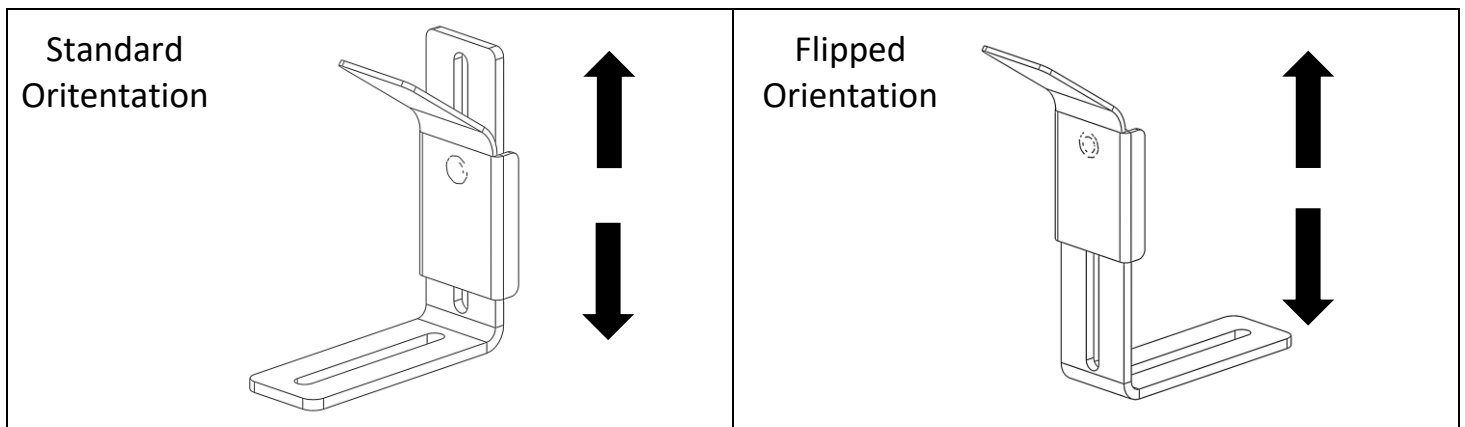
**YOUR INSTALLATION IS NOW COMPLETE.**

**Refer to the Clamp and Lock Adjustment instructions to adjust the rack to your ladder.**

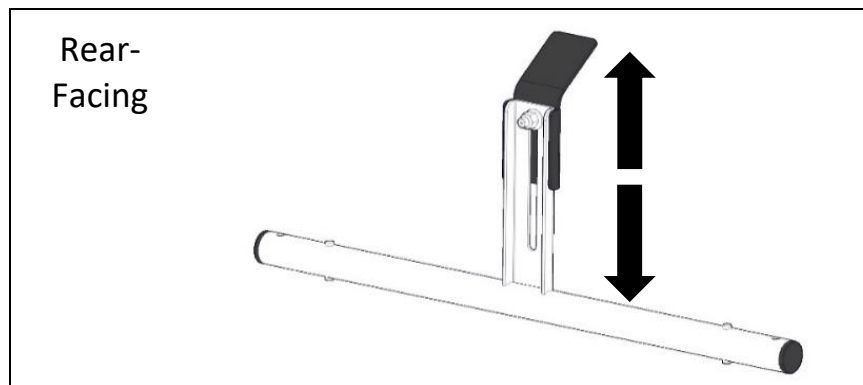
**ALWAYS BE SURE LADDER IS SECURE PRIOR TO TRANSPORTATION.**



## Angle Pad Orientations and Locations

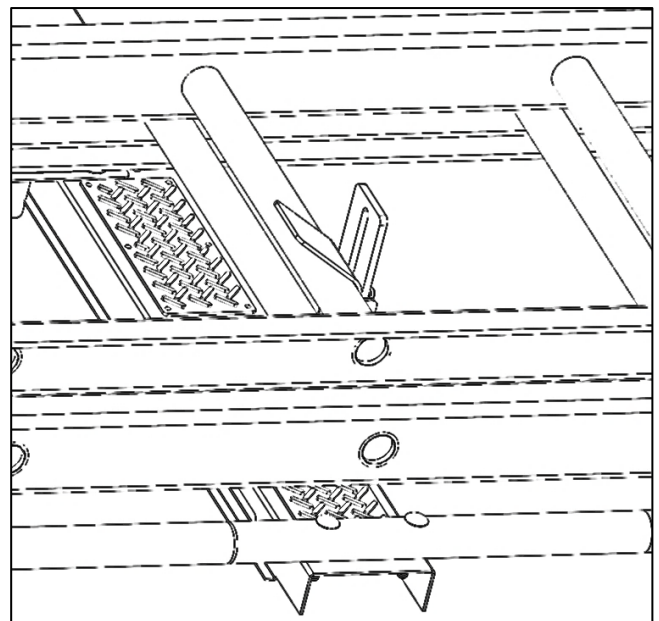
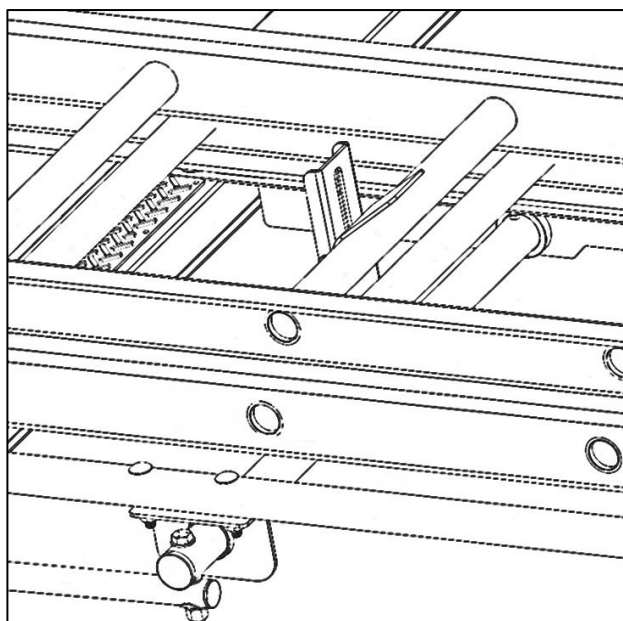


## Clamp Mechanism Orientation and Angled Pad Positions



## Examples of Ladder Clamps Firmly Against Ladder Rungs

- Be sure to position the ladder hook in a way so the hook clamps the ladder tight into place. A tight fit ensures the ladder cannot fall off the rack.



**\*\* BE SURE THE LADDER HOOKS ARE FIRMLY AGAINST THE LADDER STEPS OR RUNGS. \*\***