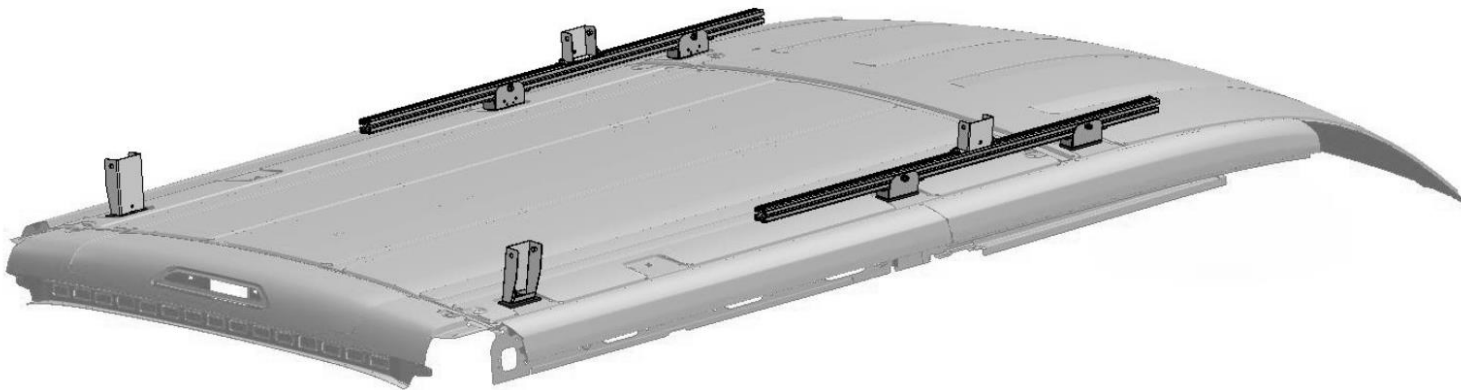




WE PUT EVERYTHING WITHIN REACH.

Installation Guide

40818 Transit



Kargo Master
Rancho Cordova, CA 95742
800-343-7486
CustomerService@KargoMaster.com

DATE: _____

PLEASE READ ALL INSTRUCTIONS AND WARNINGS PRIOR TO ASSEMBLING, INSTALLING, AND USING THIS PRODUCT

Warning



Always check for wires, fuel tanks and lines, brake lines and other important vehicle functionality items prior to drilling and installing all products.

Tools Needed

1/2" Socket and Wrench	7/16" Socket and Wrench
9/16" Socket and Wrench	13mm Socket and Wrench
Tape Measure	

Table of Contents

Rack Mount Hardware List 2

Transit Parts List 3

Transit Hardware List 4

Step 1 – Mount Locations 5

Step 2 – Install Rear Foot 6

Step 3 – Install Mount Blocks 7

Step 4 – Prepare Mount Rail 8

Step 5 – Install Mount Rail 8

Step 6 – Install Mount Foot 9

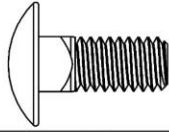
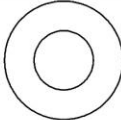

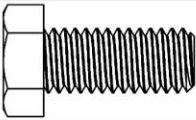
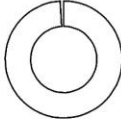
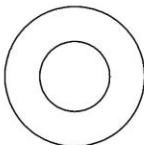
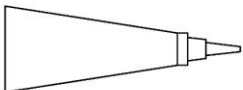
Step 7 – Set Distance 10

Step 8 – Mount Feet to Rack 11

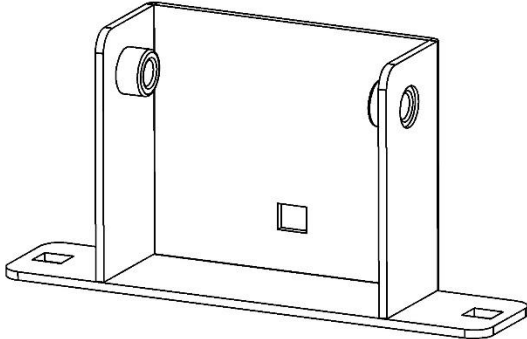
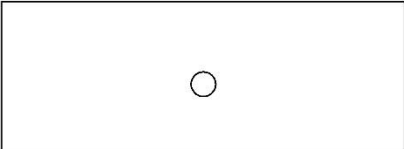
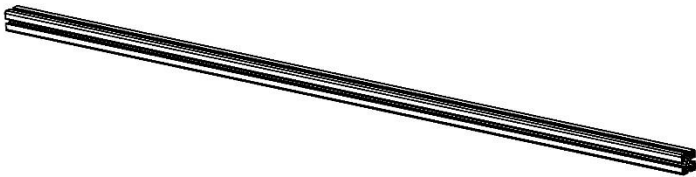
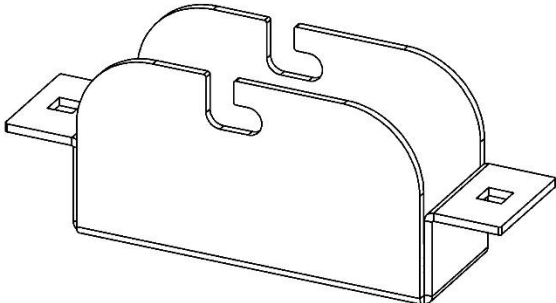
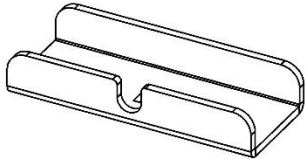
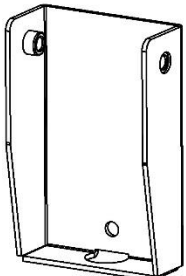
Before You Begin

- Read all instructions.
- Use Anti-Seeze on all threads.
- When mounting to the roof, place generous amounts of E6000 to seal the interior of van from the exterior elements. E6000 will be in the rack assembly.
- Follow assembly instructions to assemble and install rack.

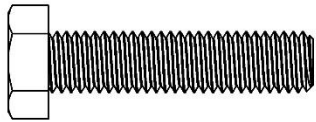
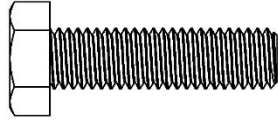
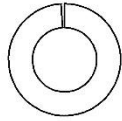
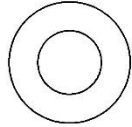
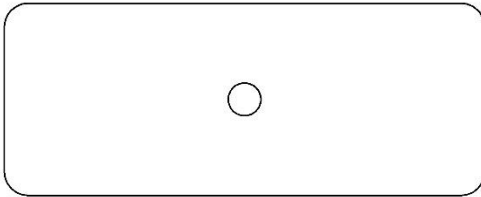
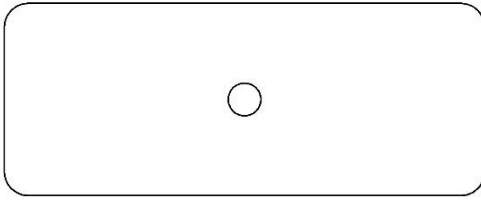
Mount Hardware

ITEM NO.	18-40818-FT	DESCRIPTION	PART NUMBER	QTY.
FT1		.312-18 x .75 Carriage SS	92356A581	16
FT2		.312 Flat Washer SS	96659A107	16
FT3		.312-18 Nyloc SS	91831A030	16
FT4		.375-16 x .875 HH SS	92240A623	8
FT5		.375 Split Lock Washer SS	92146A031	8
FT6		.375 Flat Washer SS	96659A108	8
		Anti-Seeze	Anti-Seeze	1

Transit Mount Parts

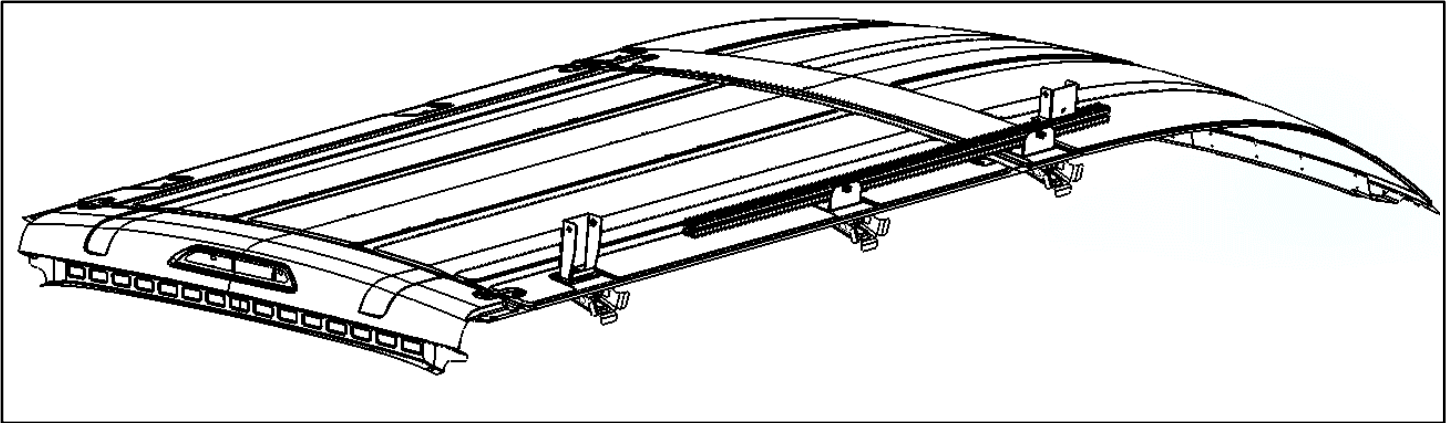
ITEM NO.	Transit Mount Parts	PART NUMBER	DESCRIPTION	QTY.
A		40818-10	Short Foot Bracket	4
B		40818-10-003-R1	Transit and Sprinter Rubber Pad	6
C		40818-20-001-R1	62in Extrusion	2
D		40818-20-003-R2	Mount Block	4
E		40818-20-007-R1	Transit and Sprinter Mount Bracket	6
F		40818-25	Tall Foot Bracket	2

Transit Mount Hardware

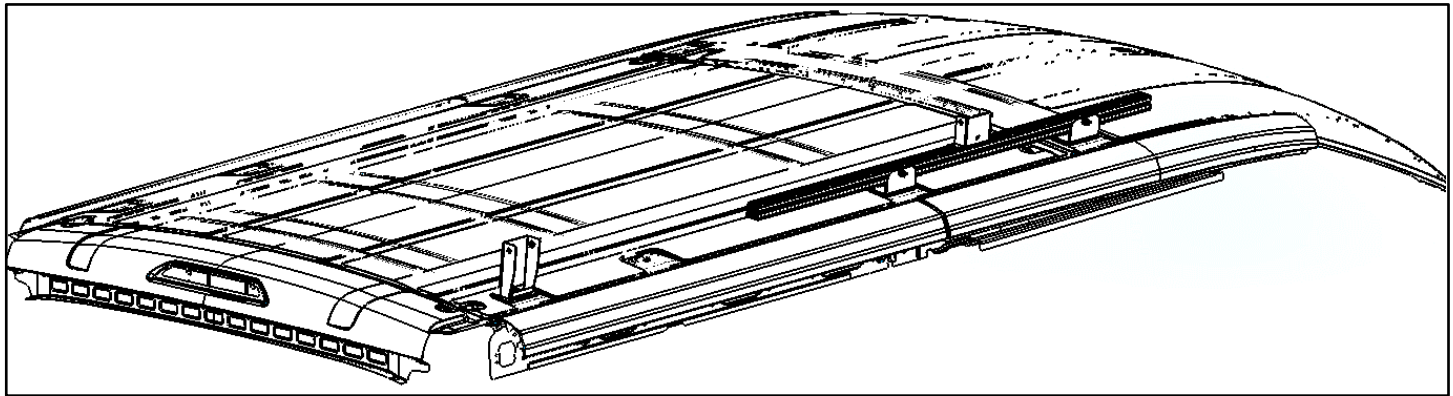
ITEM NO.	TO SCALE	PART NUMBER	DESCRIPTION	QTY.
1		M8x1.25 x 35mm HH SS	91287A155	6
2		M8x1.25 x 30mm HH SS	91287A154	6
3		M8 Split Lock Washer SS	92148A200	6
4		M8 Flat Washer SS	93475A270	6
5		T249-02 SCALE 1:2	EPDM Rubber 3MM	2
6		T250-01 SCALE 1:2	T250- Plate	2

Step 1 – Mount Locations (Van Specific)

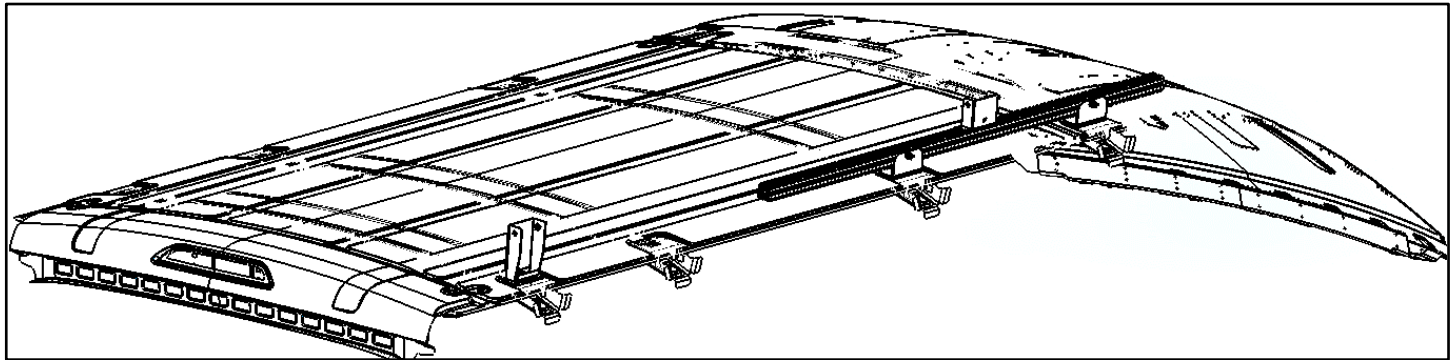
130 Wheel Base – Mid Roof



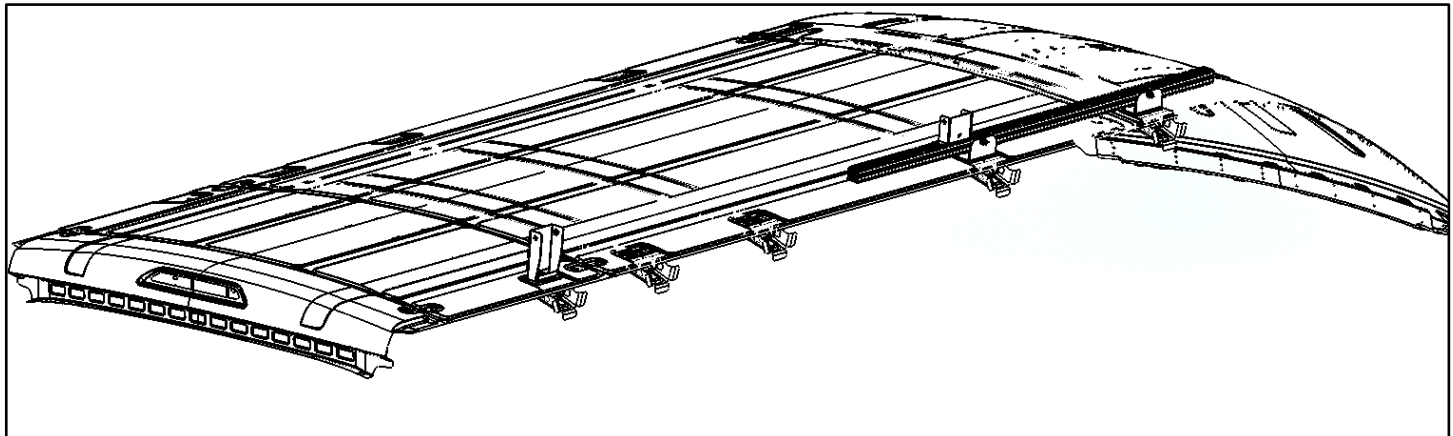
148 Wheel Base – Mid Roof



148 Wheel Base – High Roof

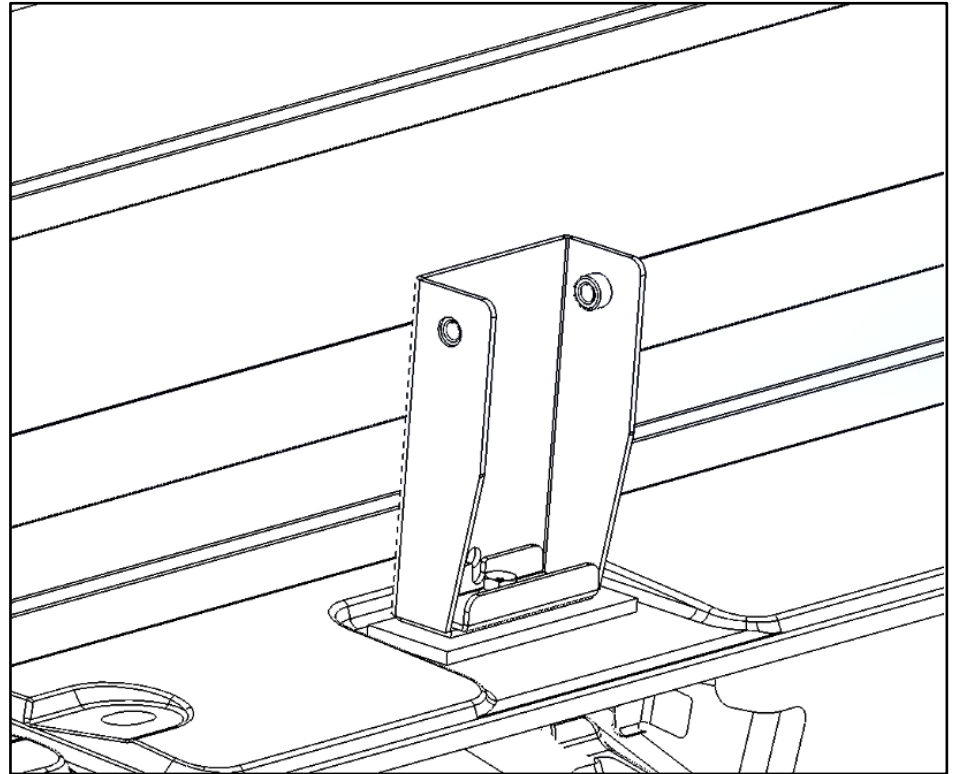
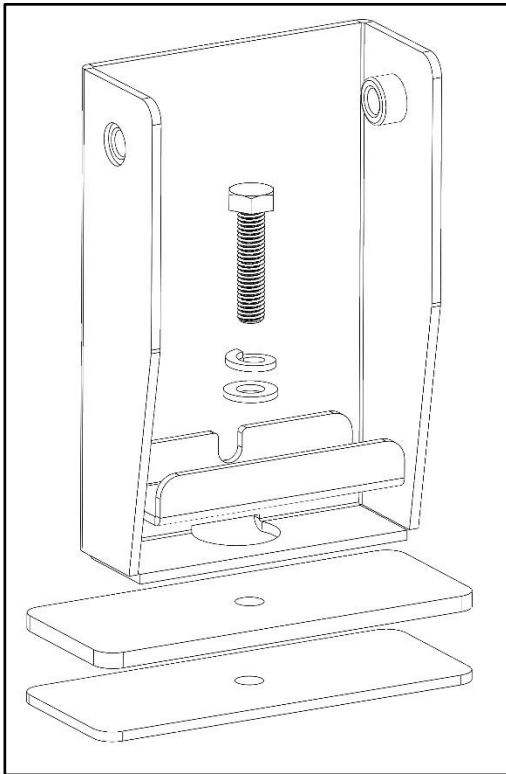


148 Wheel Base – Extended High Roof



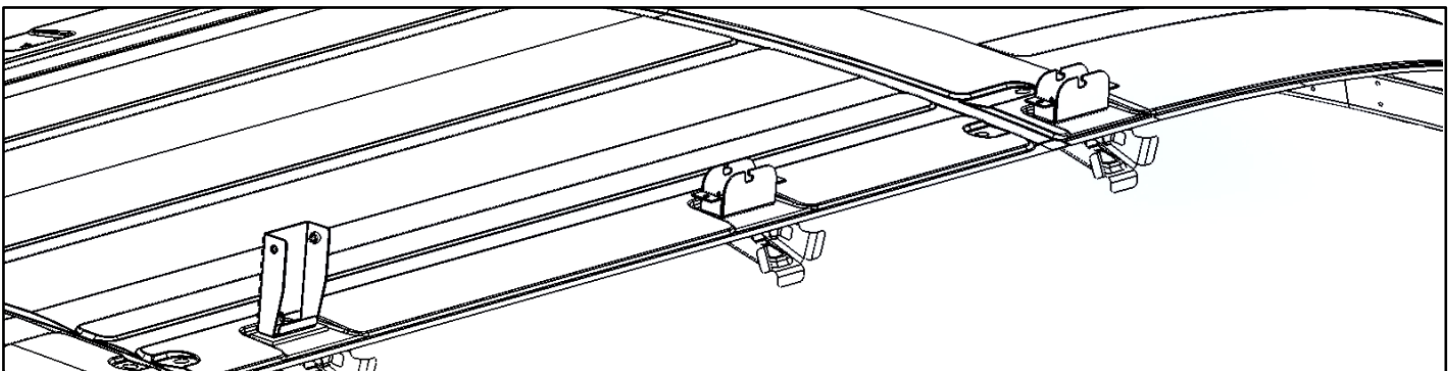
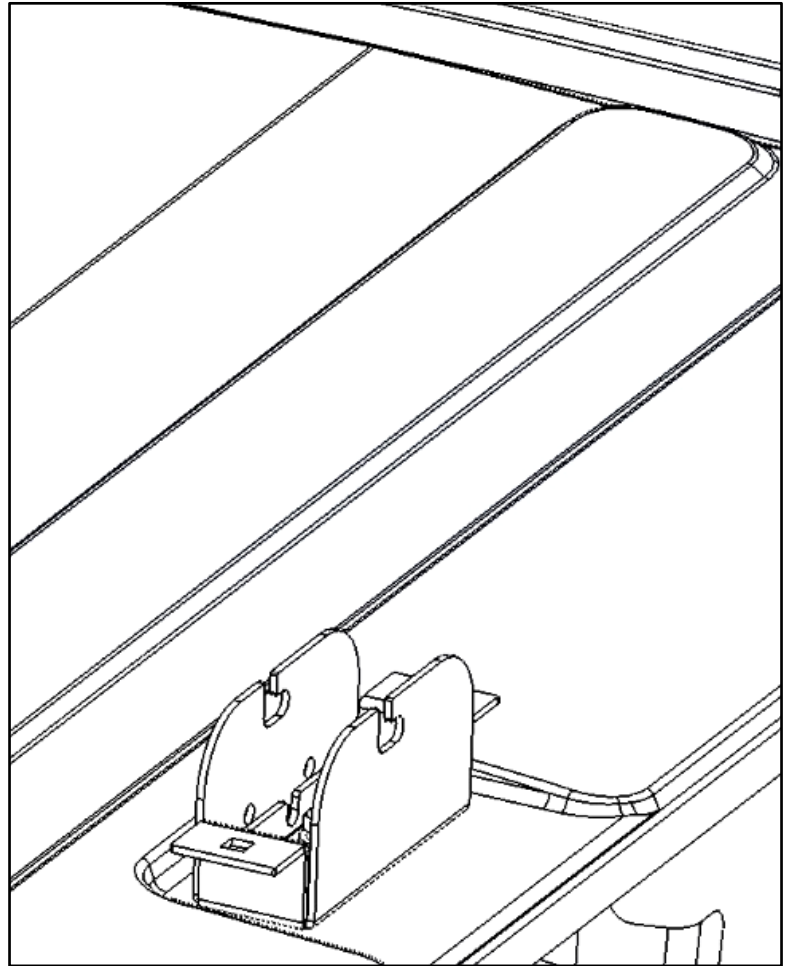
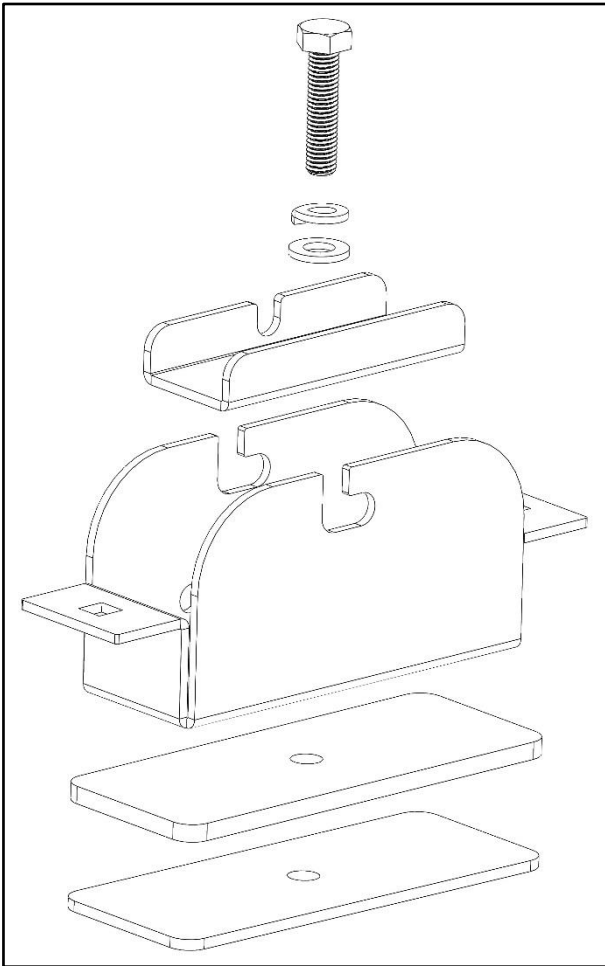
Step 2 Mount Rear Foot

- Remove factory hole covers on locations determined in previous step.
- Bolt rear foot (F) to roof using a M8 x 35mm HH (1), a M8 split lock washer (3), a M8 flat washer (4).
- Place mount bracket (E) on the inside of the foot.
- Put the rubber pad (5) against the roof and the metal plate (6) in between the pad and the bottom of the rear foot (F).
- Be sure to put E6000 under the rubber pad and around the exposed hole in roof.
- Apply anti-seeze to all threads.
- Snug Tighten, But allow movement.



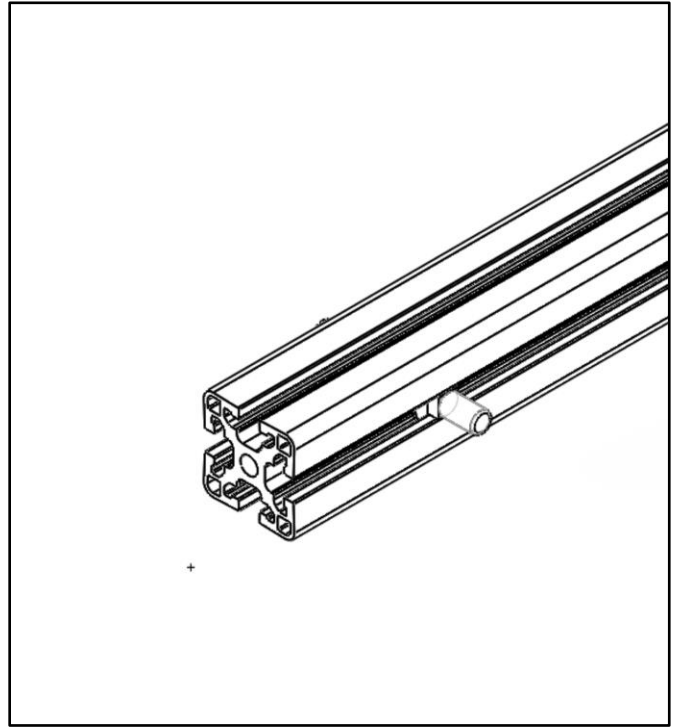
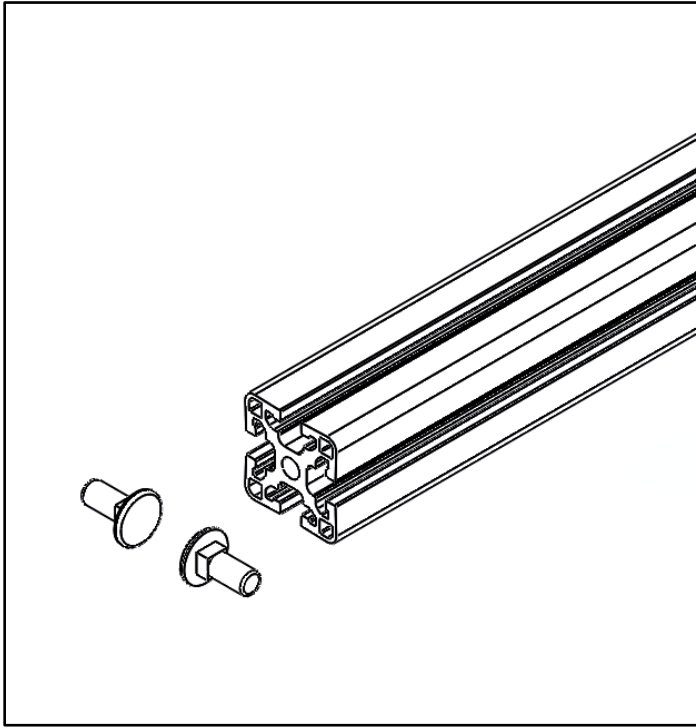
Step 3 – Install Mount Blocks

- Towards the front of the van, remove factory hole covers on locations determined by Step 1.
- Bolt mount foot (D) to roof using a M8 x 35mm HH (1), a M8 split lock washer (3), a M8 flat washer (4).
- Place mount bracket (E) on the inside of the foot.
- Put the rubber pad (5) against the roof and the metal plate (6) in between the pad and the bottom of the rear foot (F).
- Be sure to put E6000 under the rubber pad and around the exposed hole in roof.
- Apply anti-seeze to all threads.
- Square brackets and TIGHTEN.



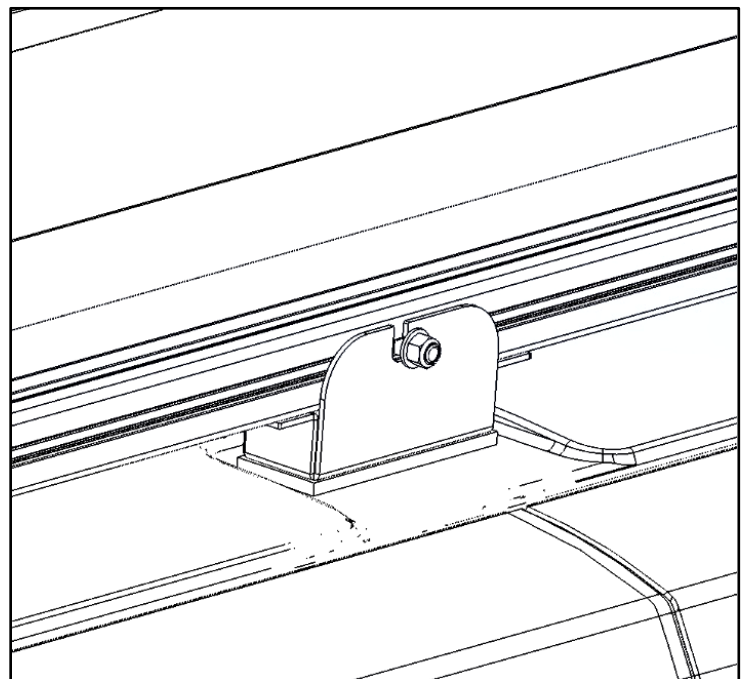
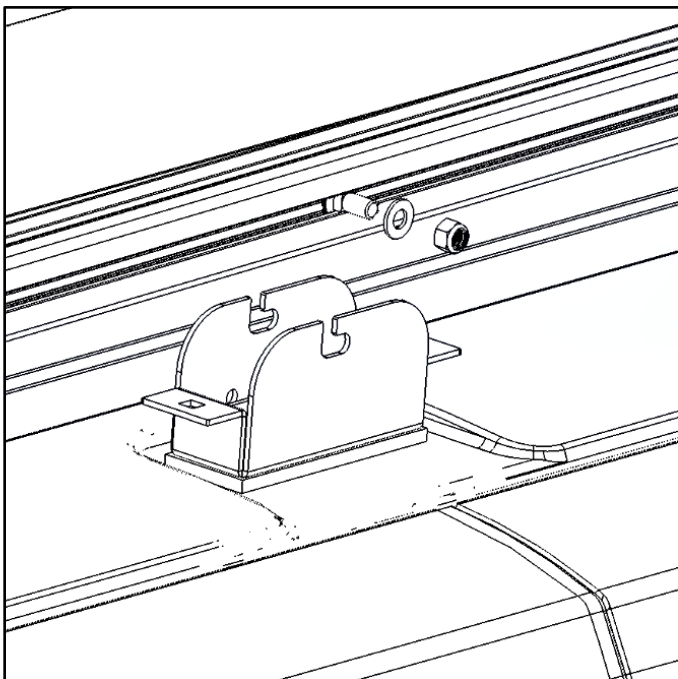
Step 4 – Prepare Mount Rail

- Slide four 5/16 x .75 carriage bolt into slots of extrusion (FT1) on opposite sides of each other. These carriage bolts are in the foot mount kit (18-40818-FT).



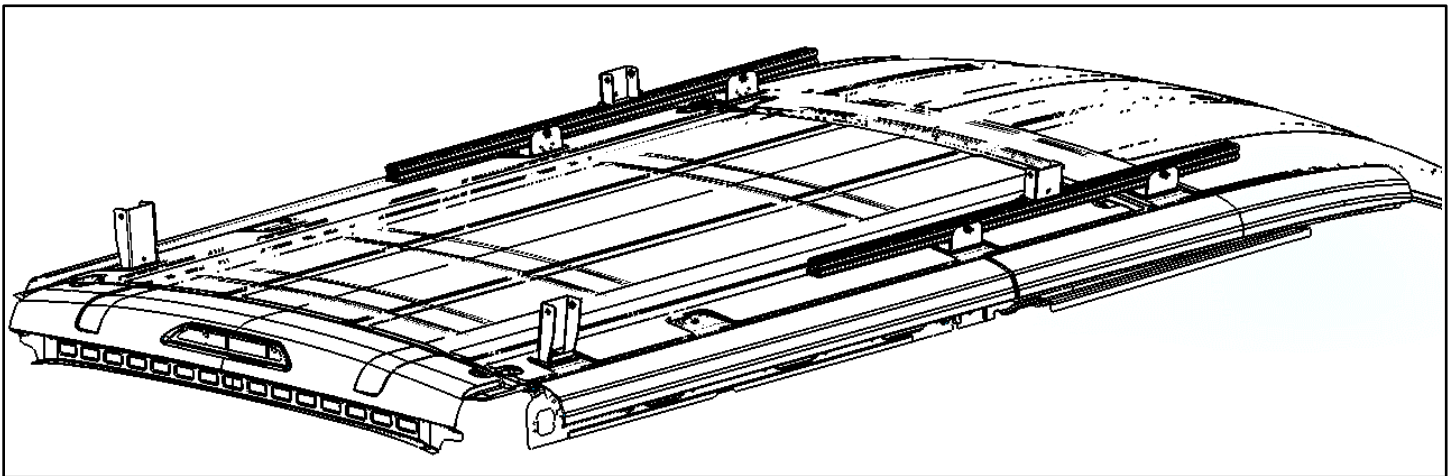
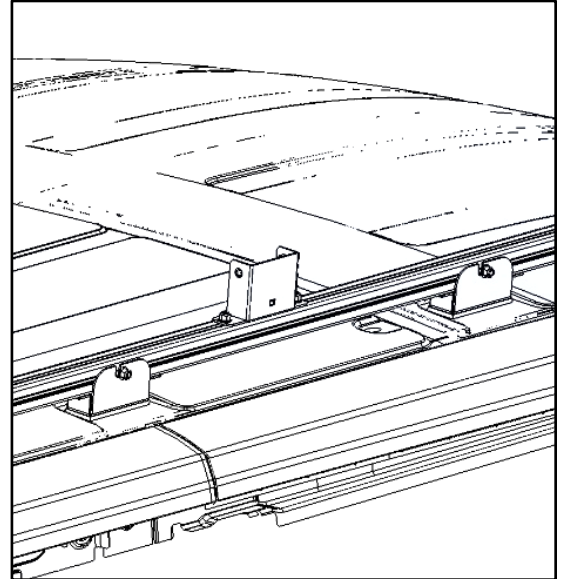
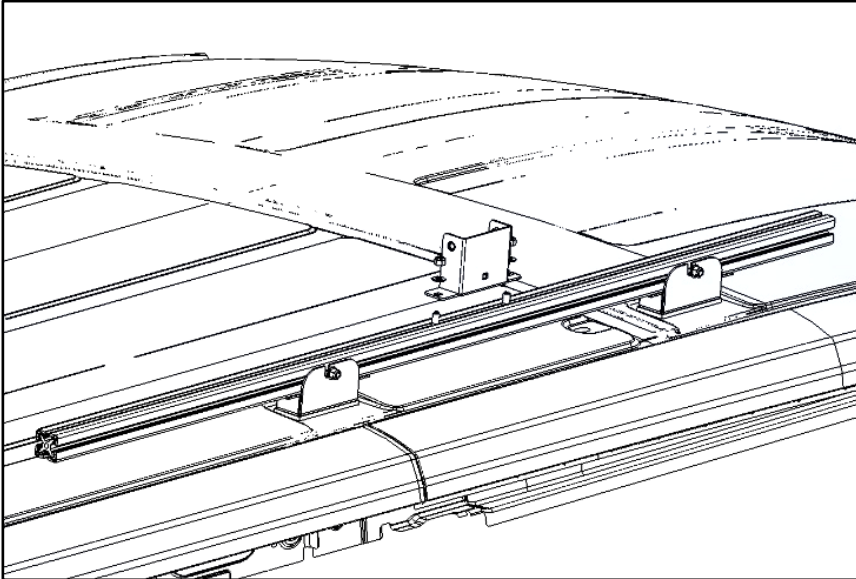
Step 5 – Install Mount Rail

- Place mount rail (C) with carriage bolts onto the two mount blocks installed in step 3. Bolt to the mount blocks using a 5/16 flat washer (FT2) and a 5/16 nyloc nut (FT3).
- Apply Anti-Seeze to all threads.
- Snug Tighten, But allow movement.



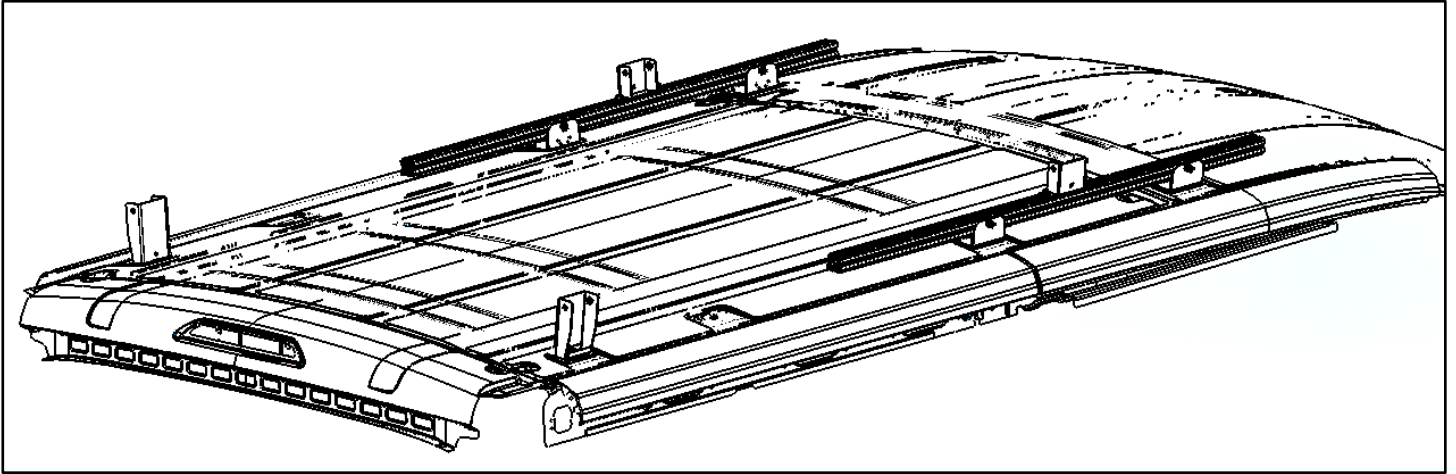
Step 6 – Install Mount Foot

- Slide two 5/16 carriage bolts (FT1) into the top slot on the mount rail.
- Bolt mount foot to mount rail using the two installed carriage bolts, 5/16 flat washers (FT2) and a 5/16 nyloc nuts (FT3).
- Apply Anti-Seeze to all threads.
- Snug Tighten, But allow movement.

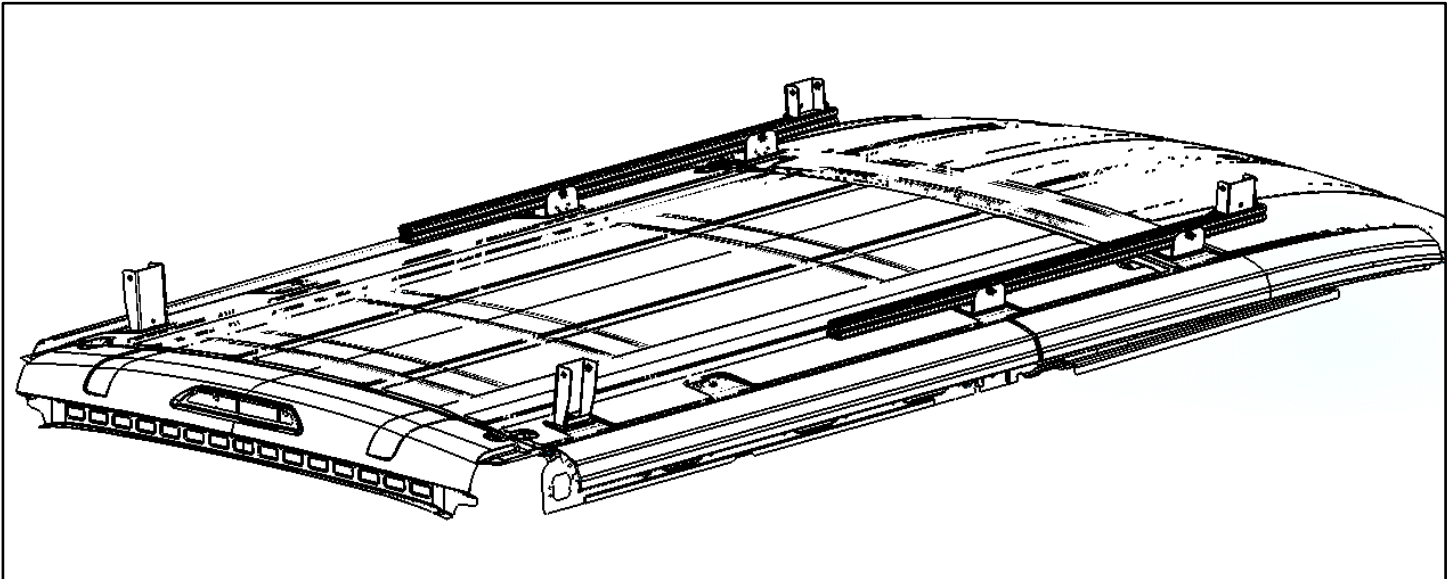


Step 7 – Set Distance

- Set center distance from rear foot to the front foot at either 71.5" or 96".
- 71.5" is shown below.

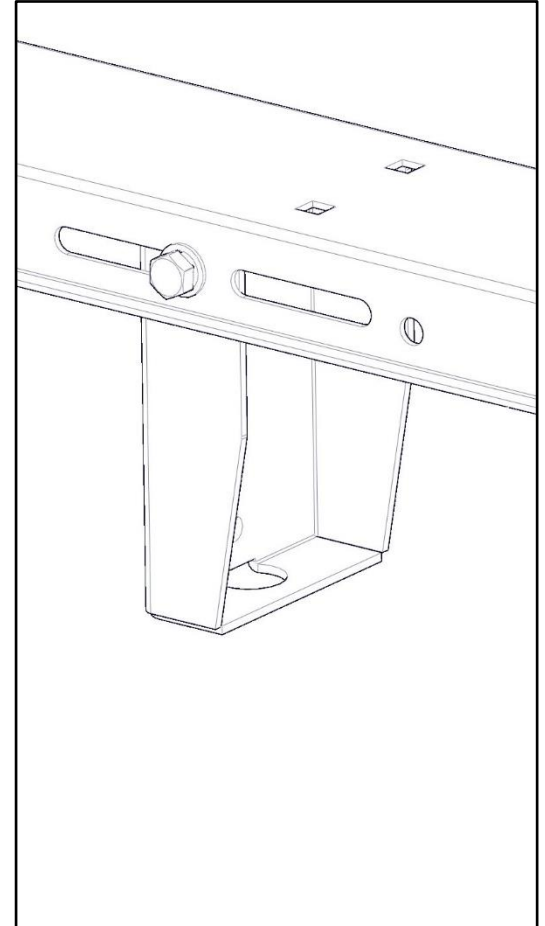
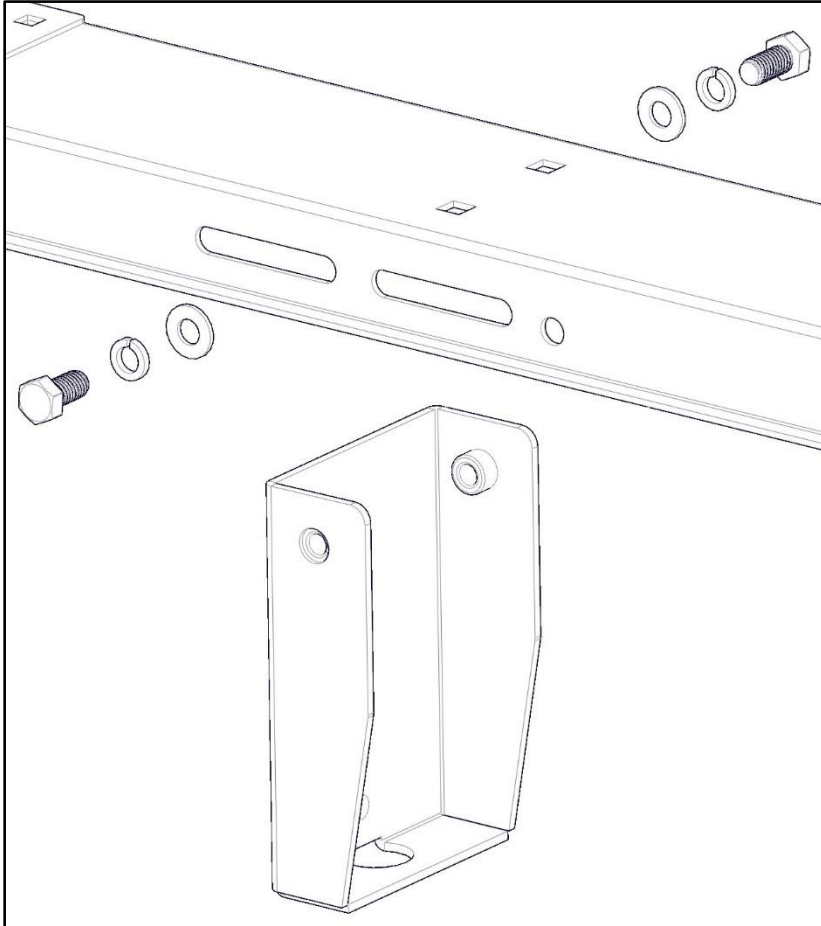


- Below is shown using 40817 add on, distance set at 96"



Step 8 – Mount Feet to Rack

- Determine if the rack is being assembled on the vehicle or if the rack will be assembled off the vehicle and set on top of installed feet.
- In either case, bolt bows to feet using 3/8-16 x .875 hex head (FT4), a 3/8 lock washer (FT5) and a 3/8 flat washer (FT6) in order shown.



GO BACK AND ENSURE ALL HARDWARE IS TIGHT
Your installation is now complete.