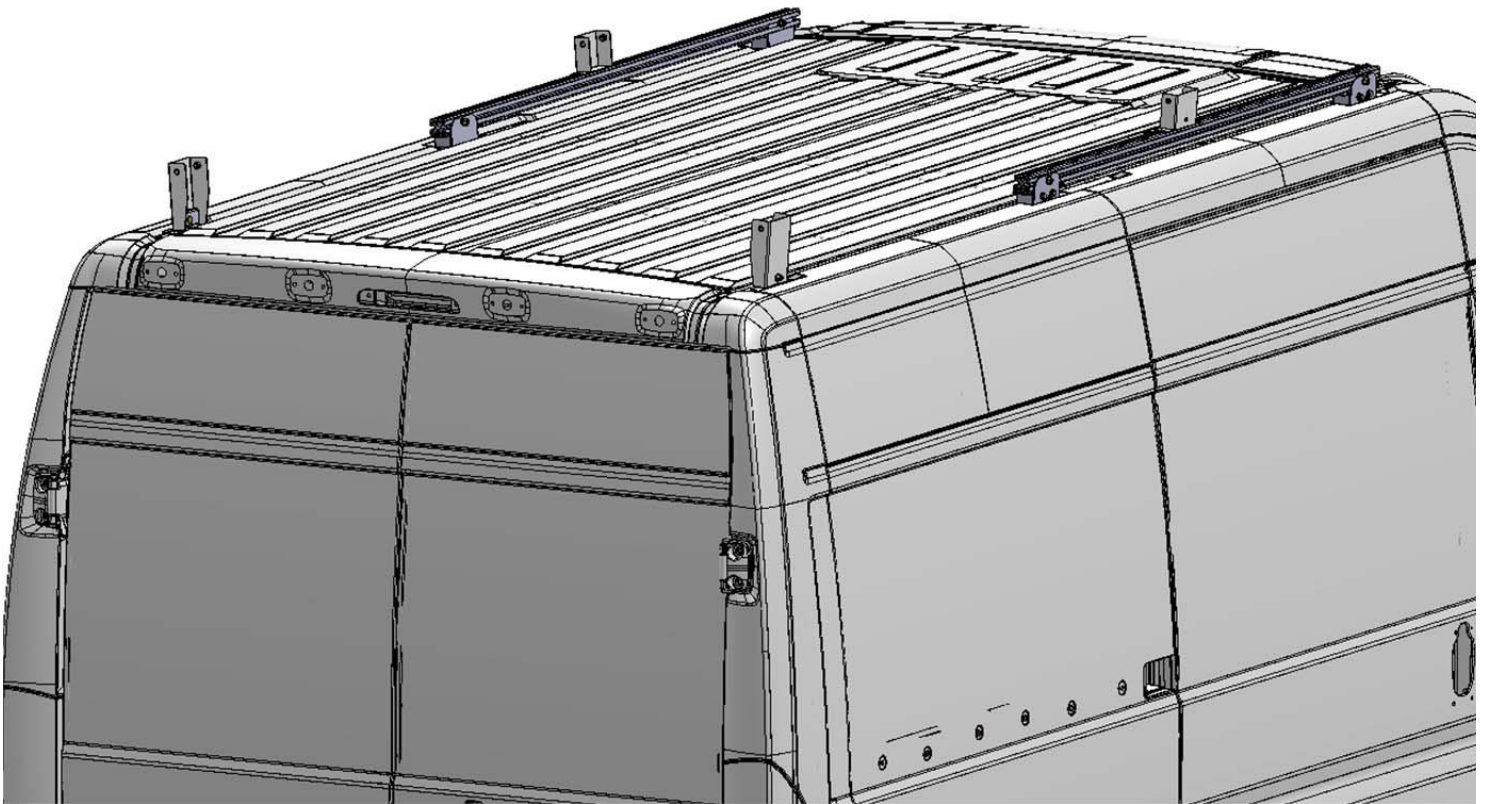




WE PUT EVERYTHING WITHIN REACH.

Installation Guide

40818 Promaster



Kargo Master
Rancho Cordova, CA 95742
800-343-7486
CustomerService@KargoMaster.com

DATE: _____

***PLEASE READ ALL INSTRUCTIONS AND WARNINGS PRIOR TO ASSEMBLING,
INSTALLING, AND USING THIS PRODUCT***

Warning



Always check for wires, fuel tanks and lines, brake lines and other important vehicle functionality items prior to drilling and installing all products.

Tools Needed

1/2" Socket and Wrench	7/16" Socket and Wrench
1/8" Allen Hex	Tape Measure

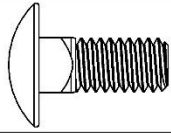
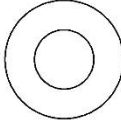

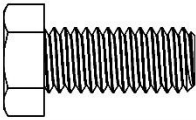
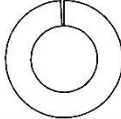
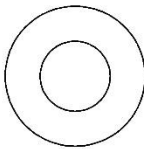
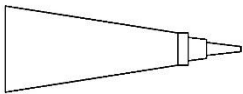
Table of Contents

Rack Mount Hardware List 2
Promaster Parts List 3
Promaster Hardware List 4
Step 1 – Prepare Mount Blocks 5
Step 2 – Find Mount Locations 5
Step 3 – Install Mount Blocks 6
Step 4 – Prepare Extrusion 7
Step 5 – Install Extrusion 7
Step 6 – Install Rear Foot 8
Step 7 – Install Mount Foot 9
Step 8 – Set Distance 10
Step 9 – Mount Feet to Rack 11

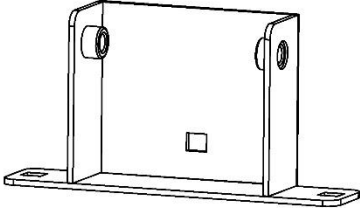
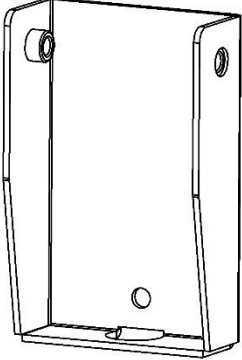

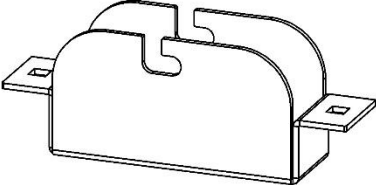
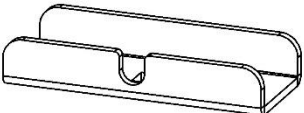
Before You Begin

- Read all instructions.
 - Use Anti-Seeze on all threads.
 - When mounting to the roof, place generous amounts of E6000 to seal the interior of van from the exterior elements. E6000 will be in the rack assembly.
 - Follow assembly instructions to assemble and install rack.
-

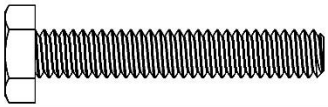
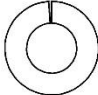
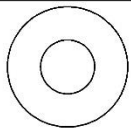
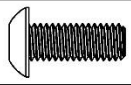
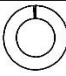
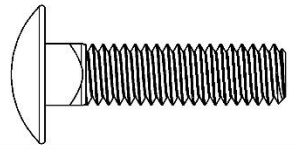
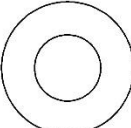
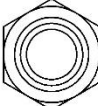
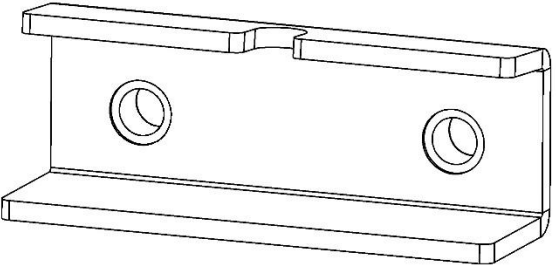
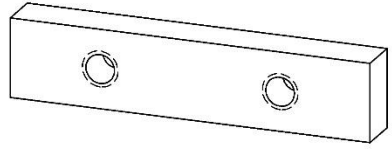
Mount Hardware

ITEM NO.	18-40818-FT	DESCRIPTION	PART NUMBER	QTY.
FT1		.312-18 x .75 Carriage SS	92356A581	16
FT2		.312 Flat Washer SS	96659A107	16
FT3		.312-18 Nyloc SS	91831A030	16
FT4		.375-16 x .75 HH SS	92240A622	8
FT5		.375 Split Lock Washer SS	92146A031	8
FT6		.375 Flat Washer SS	96659A108	8
		Anti-Seeze	Anti-Seeze	1

Promaster Mount Parts

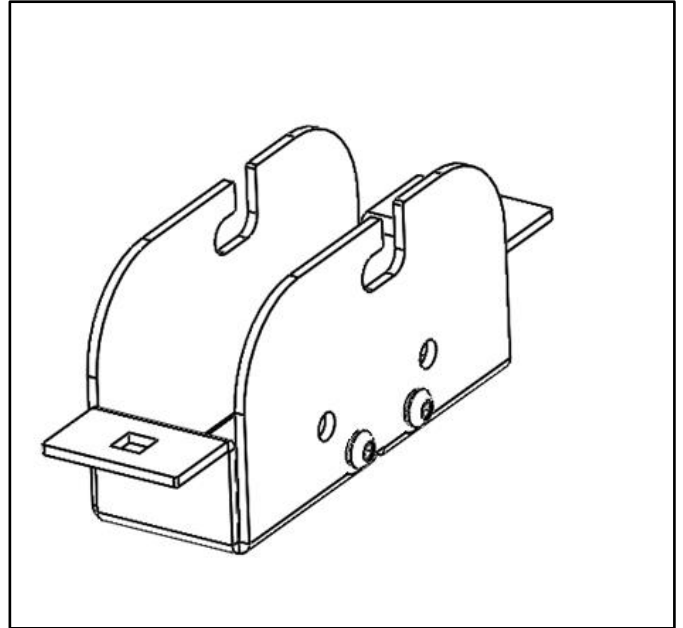
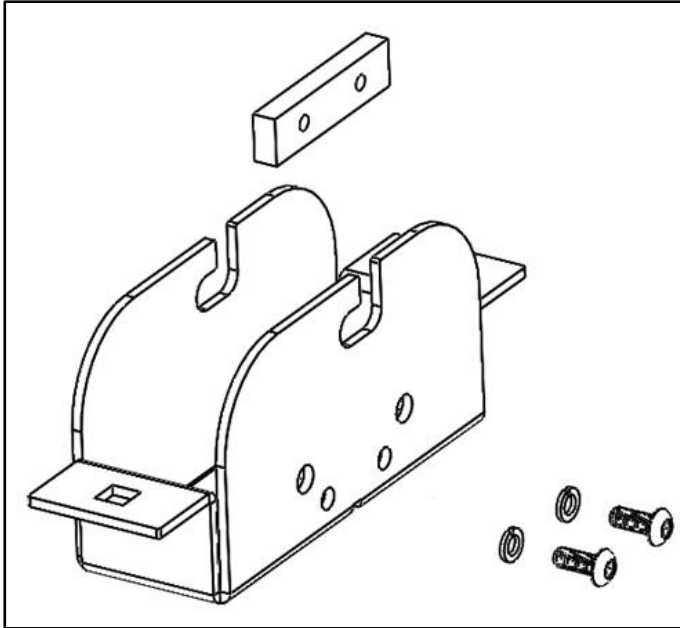
ITEM NO.	ProMaster Mount Parts	PART NUMBER	DESCRIPTION	QTY.
A		40818-10	Short Foot Bracket	4
B		40818-25	Tall Foot Bracket	2
C		40818-20-001-R1	62in Extrusion	2
D		40818-20-003-R2	Mount Block	4
E		40818-20-007-R1	Transit and Sprinter Mount Bracket	2

Promaster Mount Hardware

ITEM NO.	18-40818-P	DESCRIPTION	PART NUMBER	QTY.
1		.25-20 x 1.50 HH SS	92240A546	8
2		.25 Split Lock Washer SS	92146A029	8
3		.25 Flat Washer SS	96659A106	8
4		No10-32 x .50 BHCS SS	92949A265	8
5		No10 Split Lock Washer SS	92146A550	8
6		.312-18 x 1.25 Carriage SS	92356A589	2
7		.312 Flat Washer SS	96659A107	2
8		.312-18 Nyloc SS	91831A030	2
9		40818-23	40818-23	4
10		40818-20-006-R2	40818-20-006-R2	4

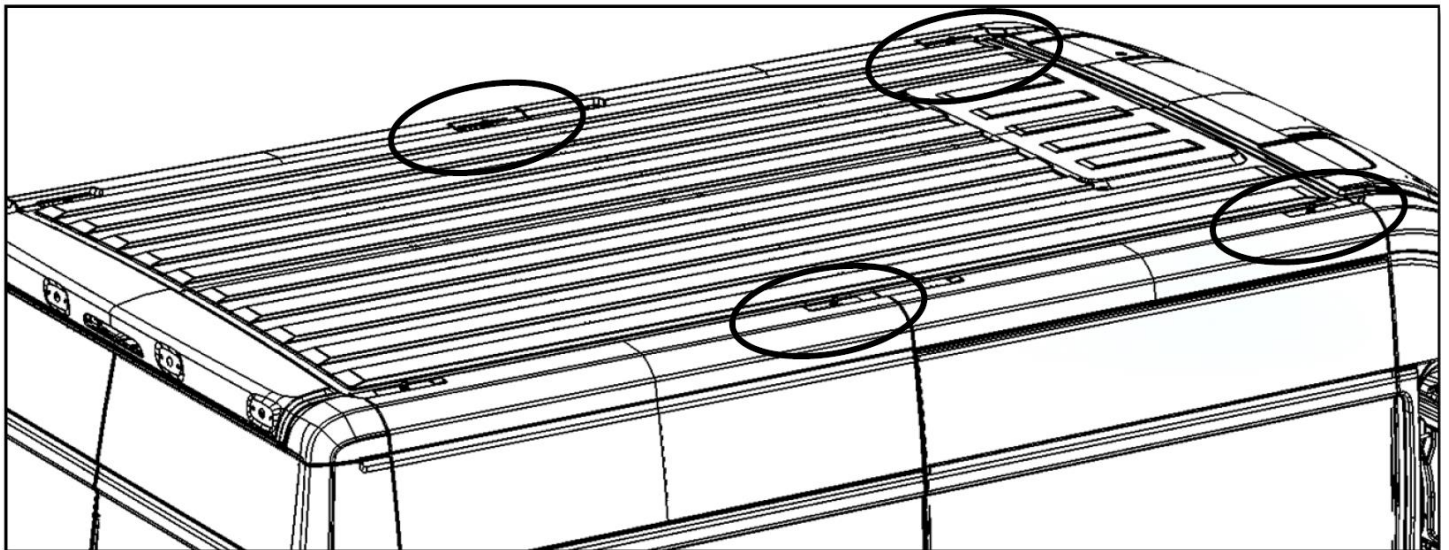
Step 1 – Prepare Mount Blocks

- Attach spacer block (10) inside mount block using #10-32 x .50 BHCS (4) and #10 split lock washers (5) as shown.
- Repeat on all four blocks.
- Be sure to apply anti-seeze to all threads.
- TIGHTEN



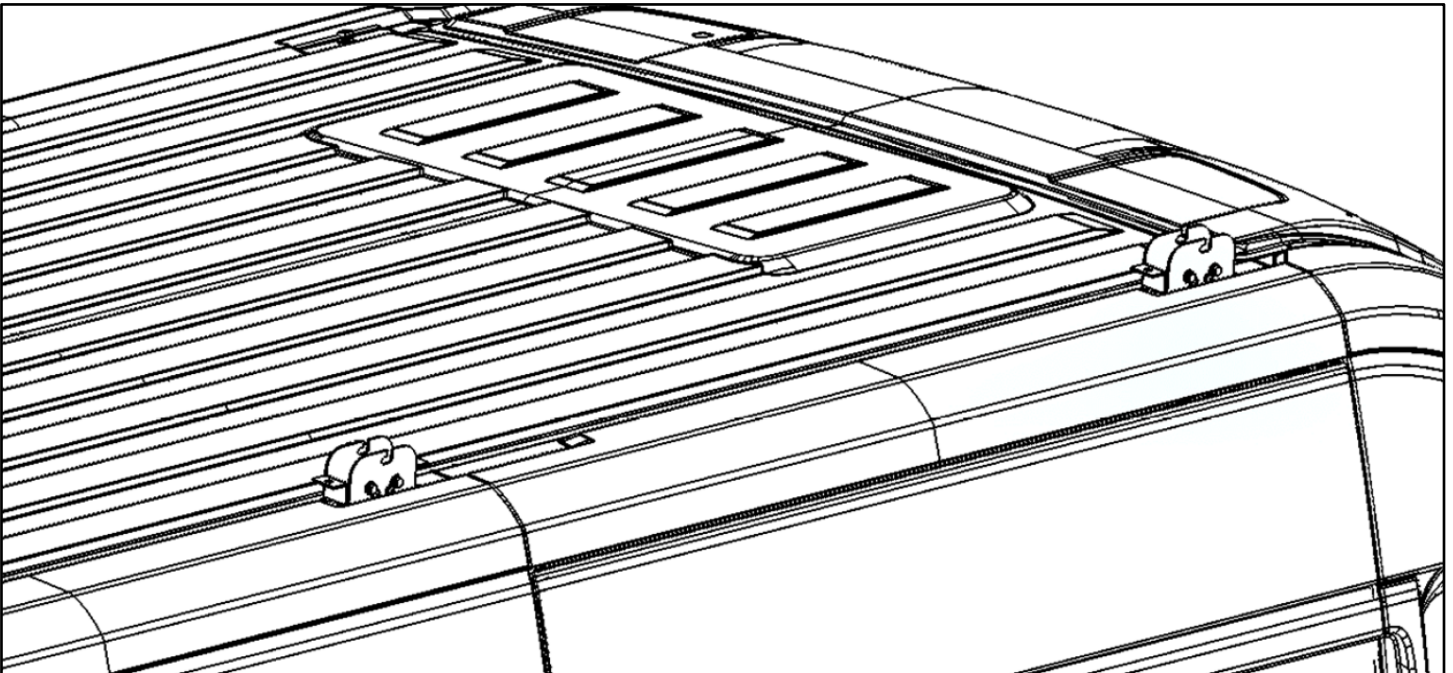
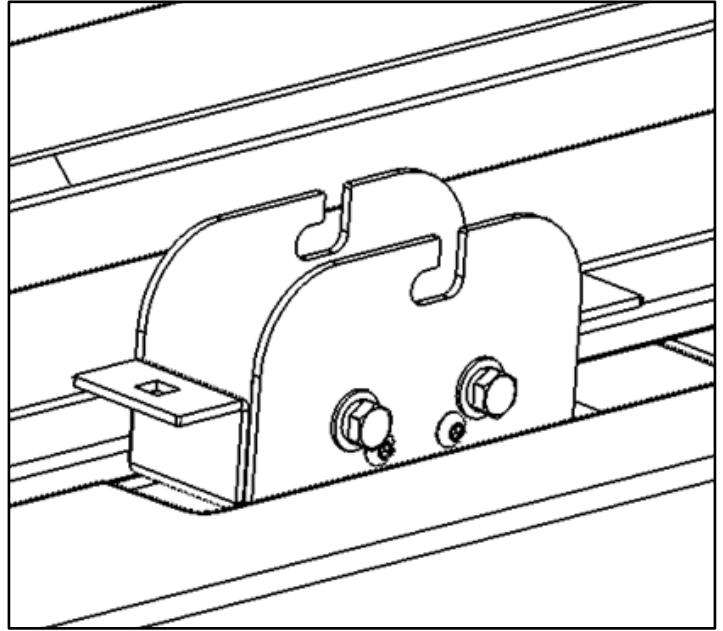
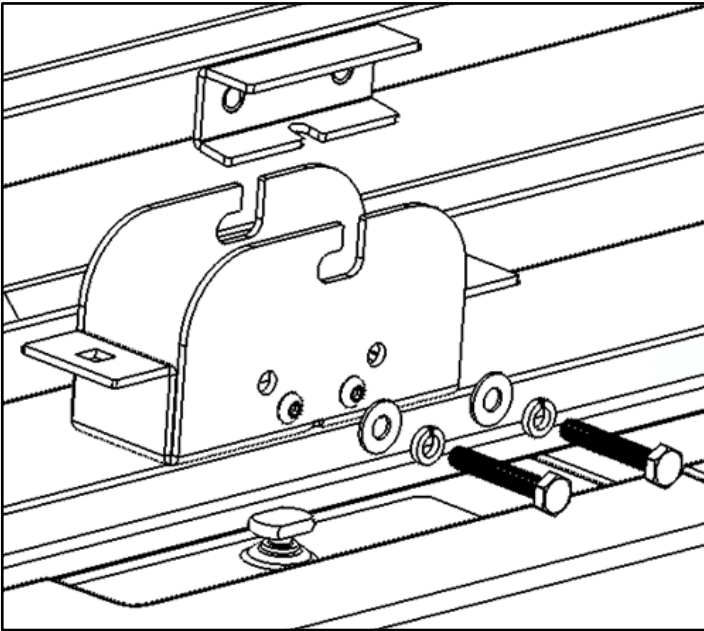
Step 2 – Find Mount Locations on Roof of Van

- Locate the front two mounting locations on each side of van. This is where the mounting blocks will be mounted. This picture shows on a 136" wheel base, high roof van.



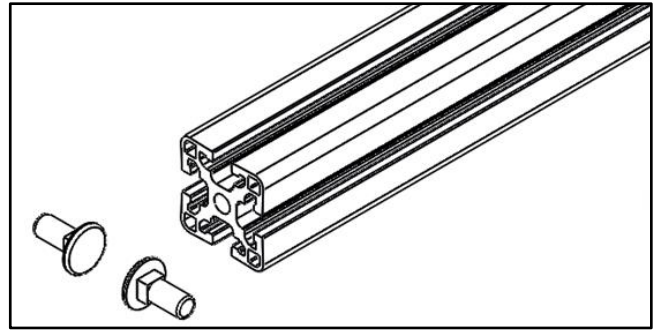
Step 3 – Install Mount Block

- Set mount block assembly over the “T” stud extruding from the top of the roof.
- Insert mount clip (9) as so the slot goes under the head of the “T” stud to mount tight.
- Bolt through the mount assembly and into the mount bracket (9) using two 1/4 x 1.50 hex bolt(1), two 1/4 split lock washers (2) and two 1/4 flat washers as shown (3).
- Be sure to apply anti-seeze to all threads.
- DO NOT OVER TIGHTEN
- Repeat 4x.



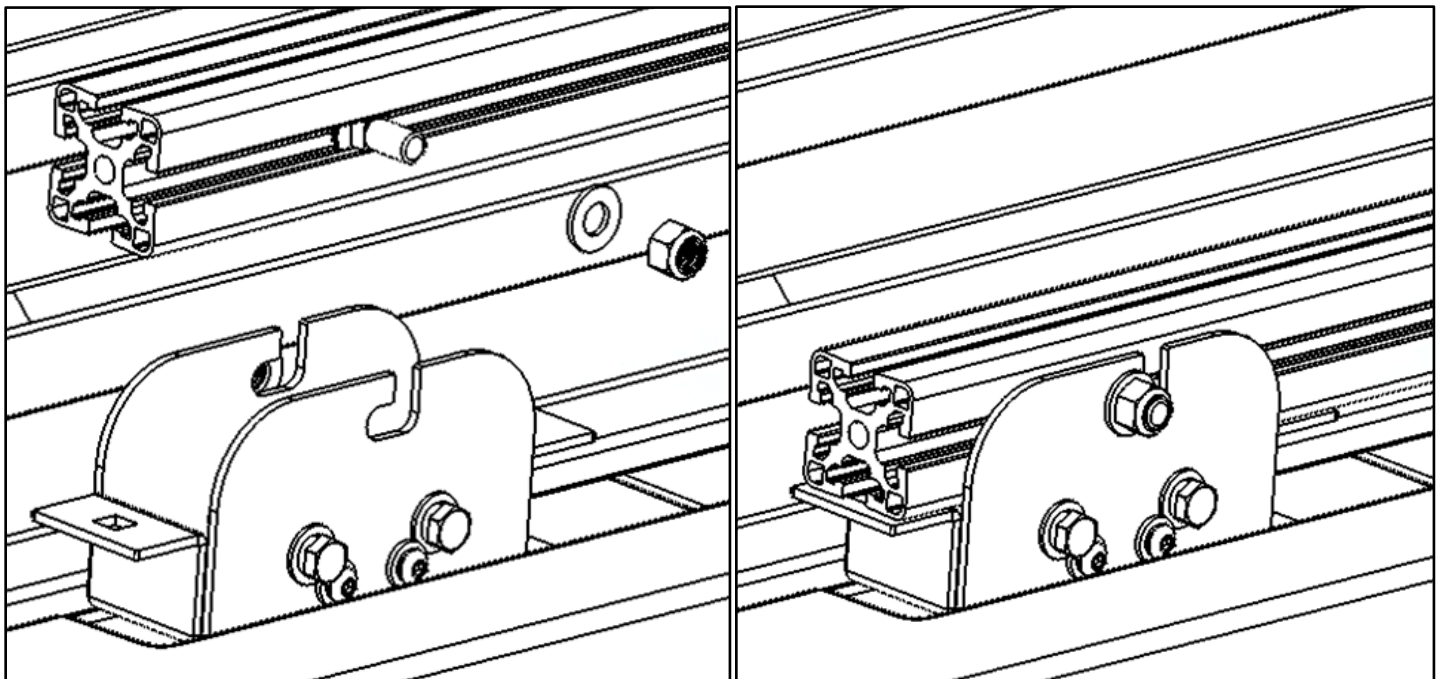
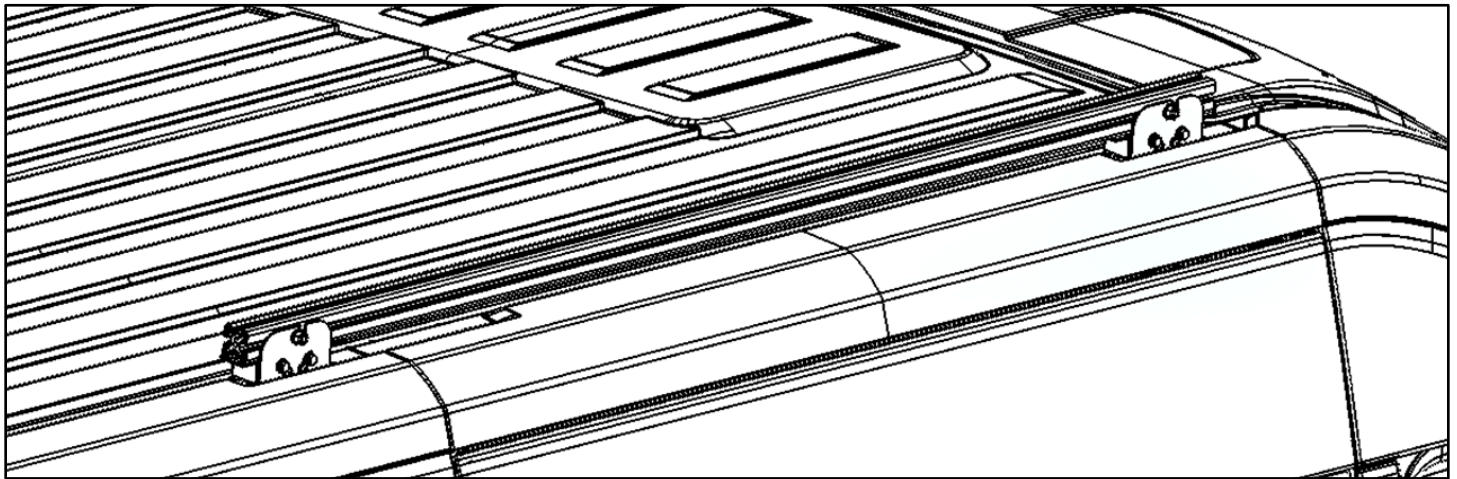
Step 4 – Prepare Extrusion

- Slide two 5/16 x .75 carriage bolt (FT1) into opposite slots of extrusion. These carriage bolts are in the foot mount kit (18-40818-FT).
- Repeat on each rail, for a total of 8 carriage bolts on two rails.



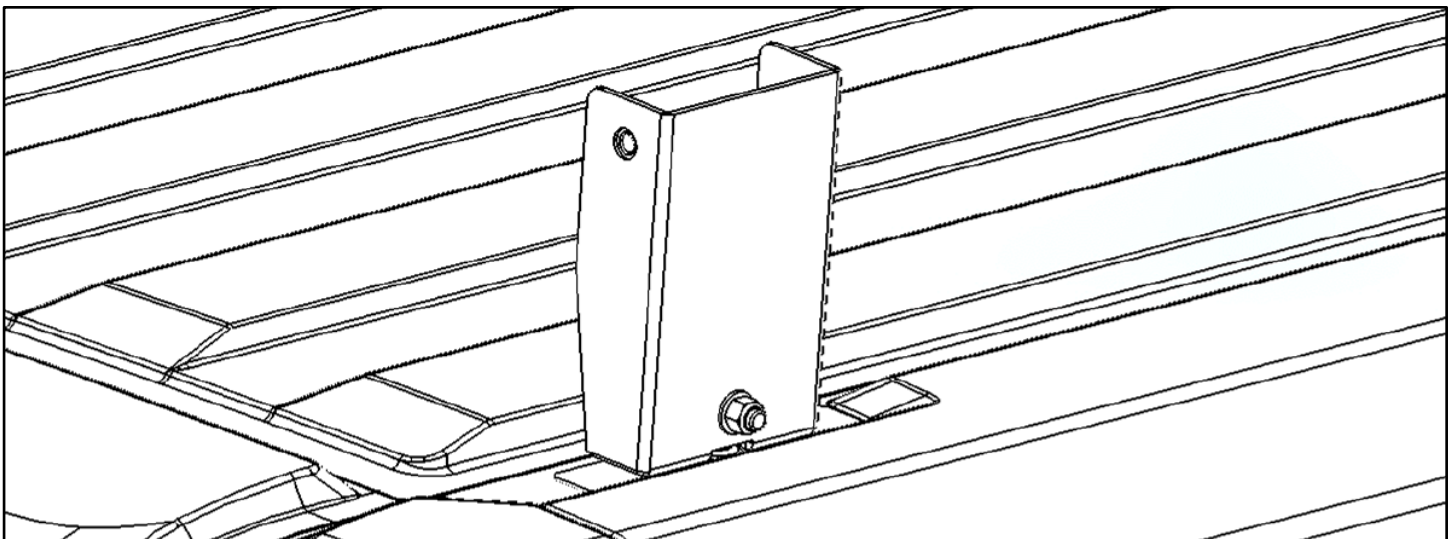
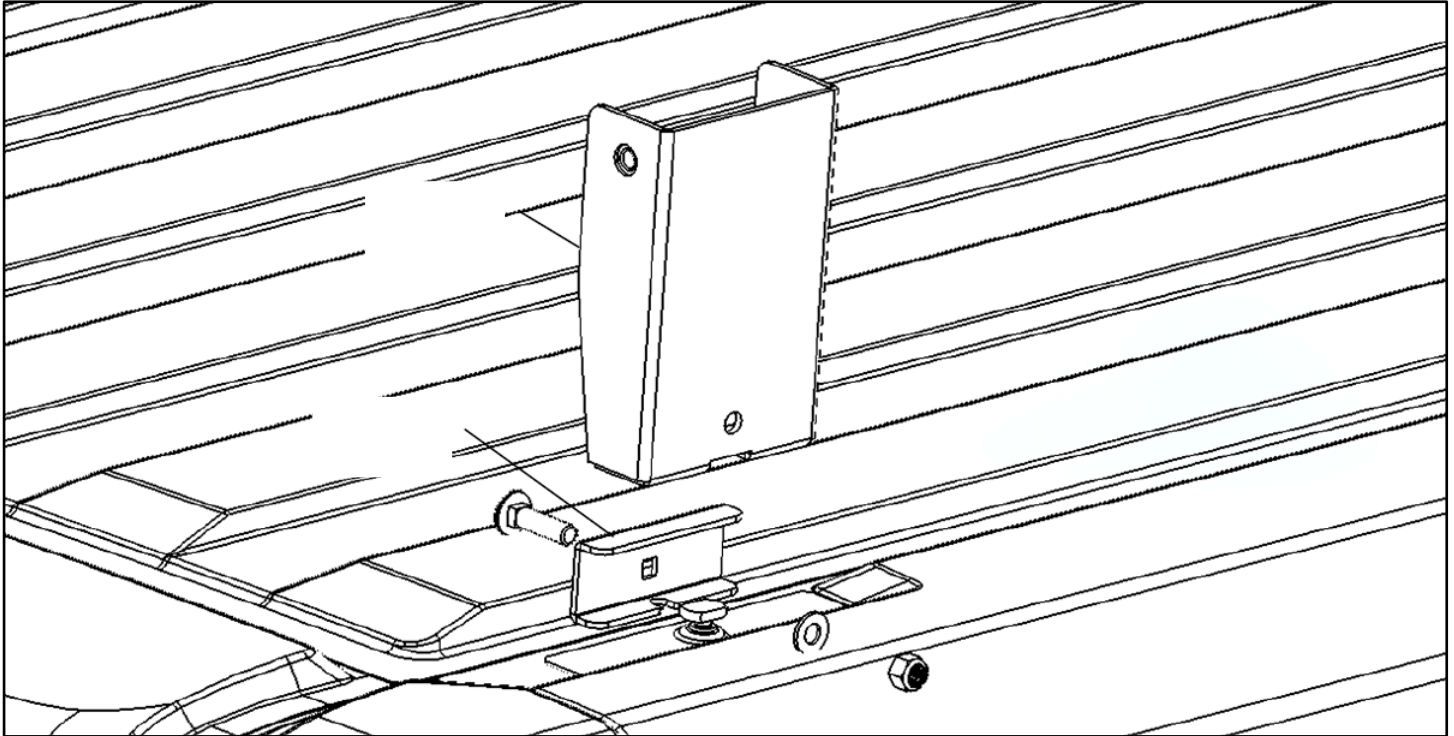
Step 5 – Install Extrusion

- Place mount rail with carriage bolts onto the mount blocks that were installed in step 3.
- Line the carriage bolts up in the slot of the mount blocks.
- Bolt using previous carriage bolt (FT1), 5/16 flat washer (FT2) and a 5/16 nyloc nut (FT3).
- Snug Tighten, But allow movement.
- Apply anti-seeze to all threads.



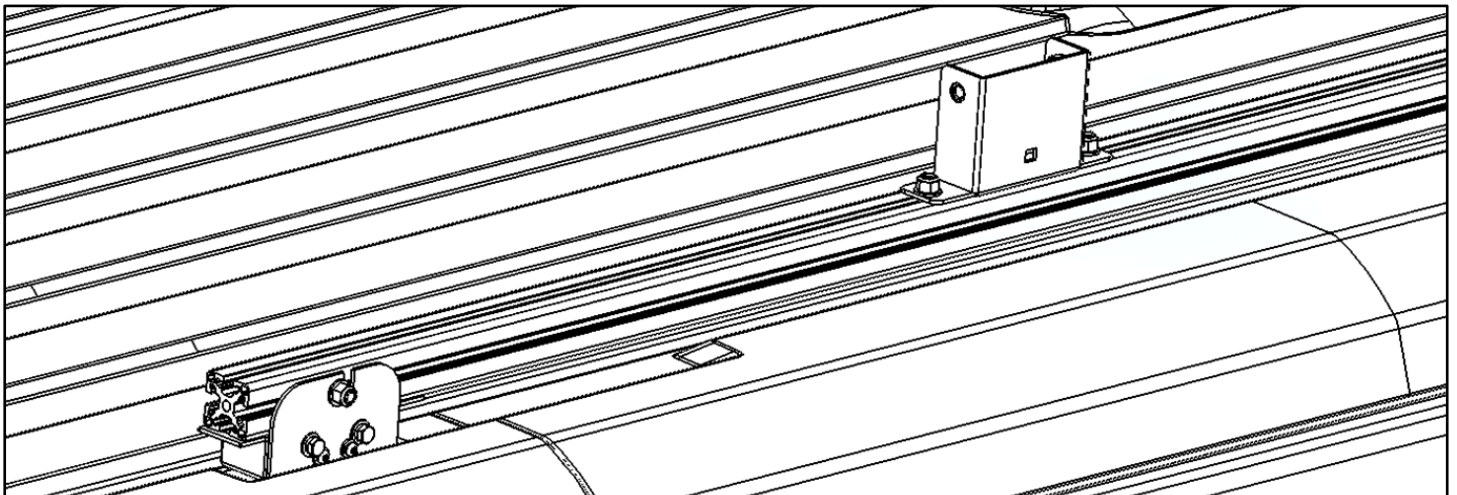
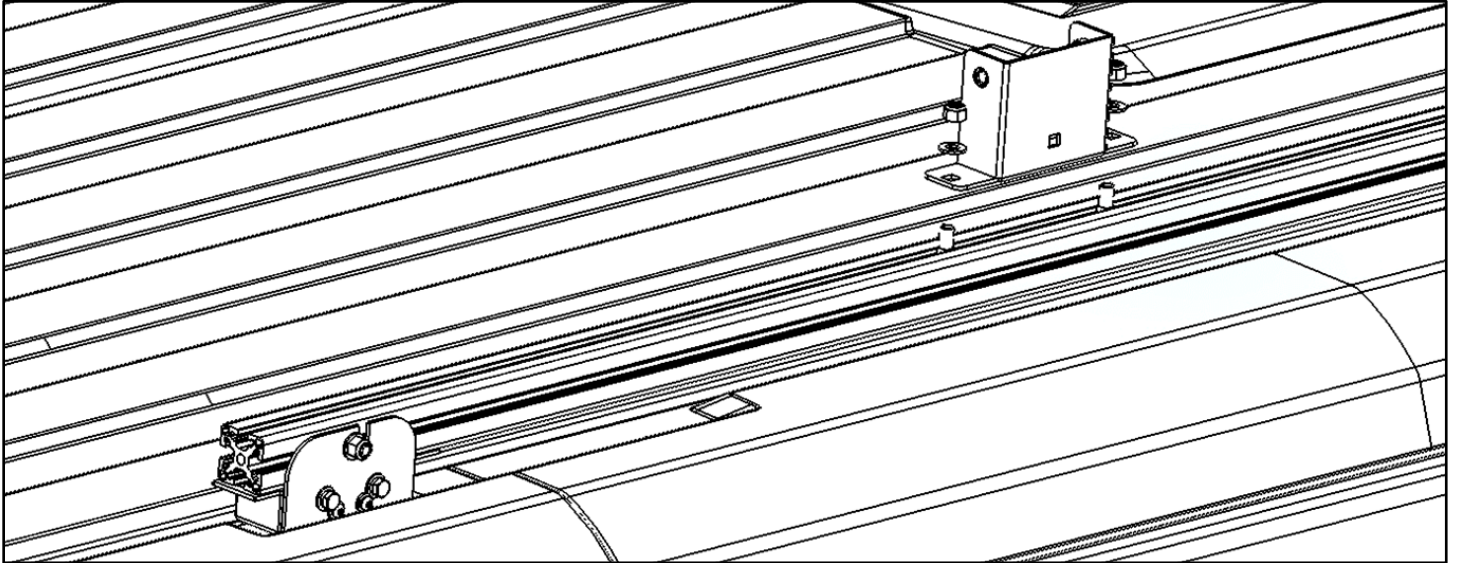
Step 6 – Install Rear Foot

- Place rear foot (B) over the “T” stud at the rear of the roof.
- Insert mount clip (9) as so the slot goes under the head of the “T” stud to mount tight.
- Bolt through the mount bracket (E) and the rear foot (B) using a 5/16 x 1.25 carriage bolt (6), a 5/16 flat washer (7) and a 5/16 nyloc nut (8).
- DO NOT OVER TIGHTEN.
- Be sure to apply anti-seeze to all threads.
- Repeat on other side.



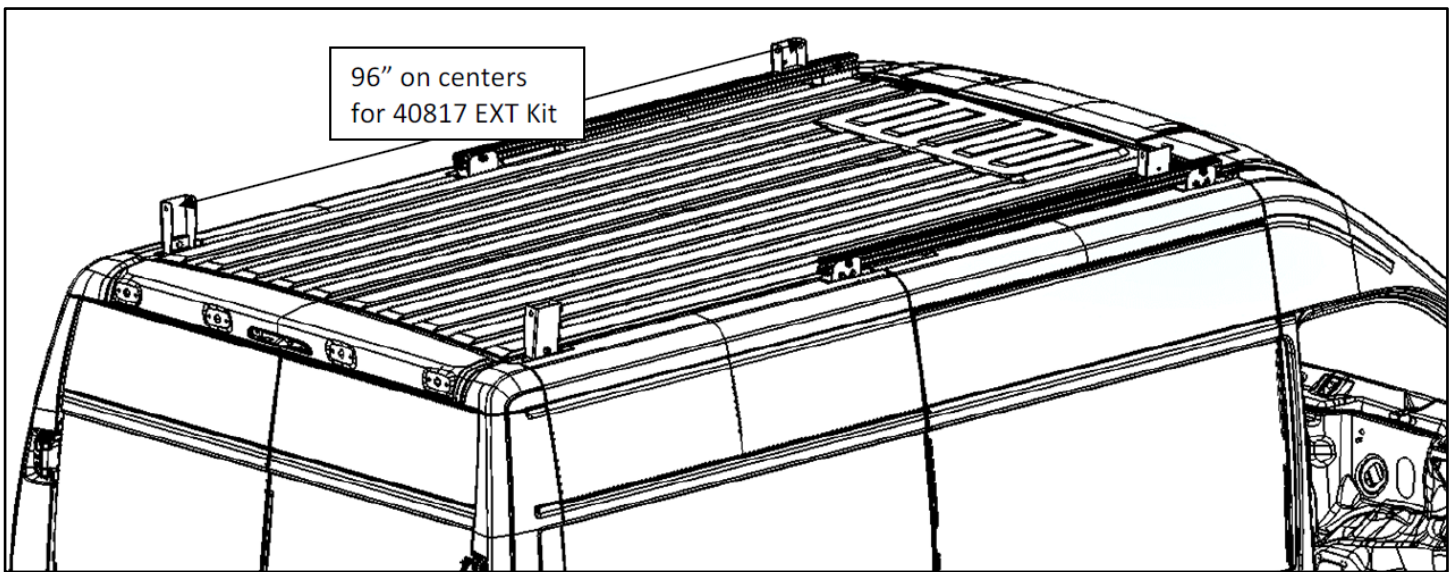
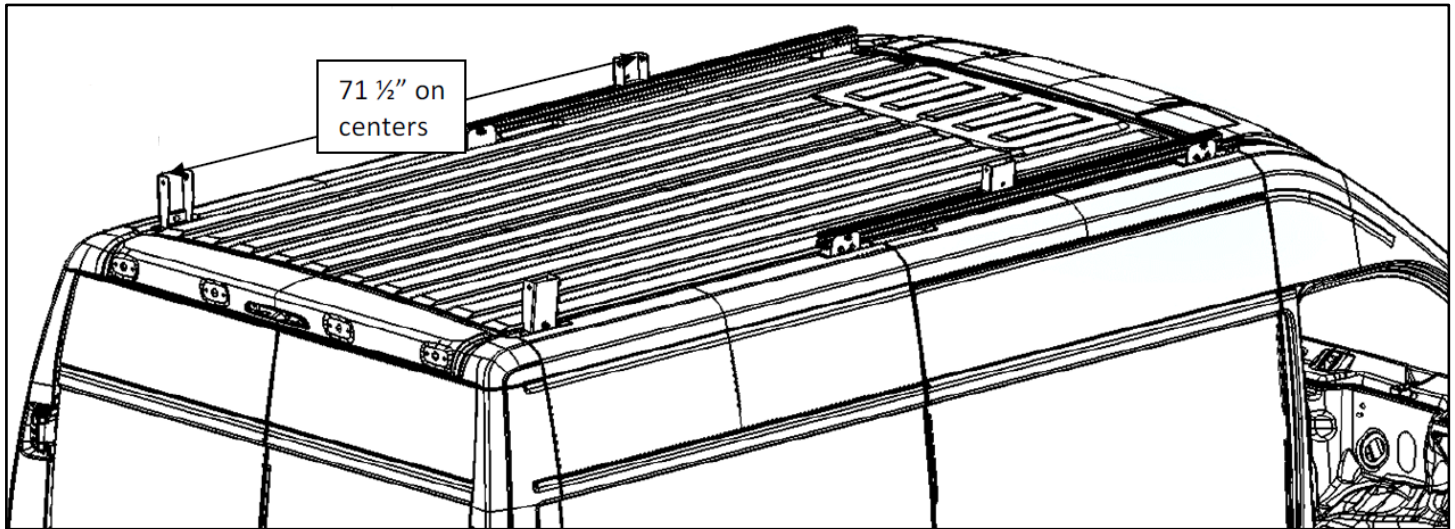
Step 7 – Install Mount Foot

- Slide two 5/16 x .75 carriage bolts (FT1) into the top slot of the mounted extrusion.
- Place mount foot (A) over carriage bolts.
- Bolt together using carriage bolt, 5/16 flat washer (FT2) and 5/16 nyloc nut (FT3).
- DO NOT TIGHTEN.
- Be sure to apply anti-seeze to all threads.



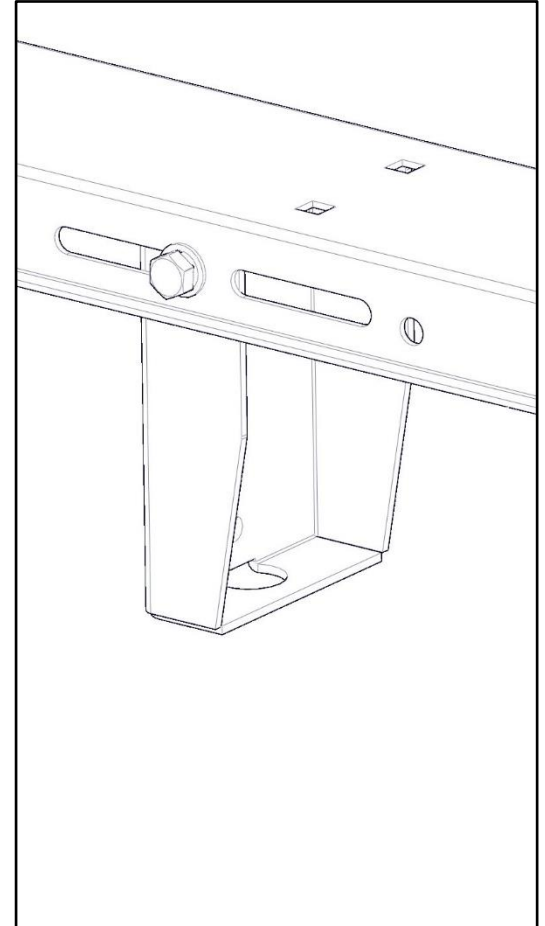
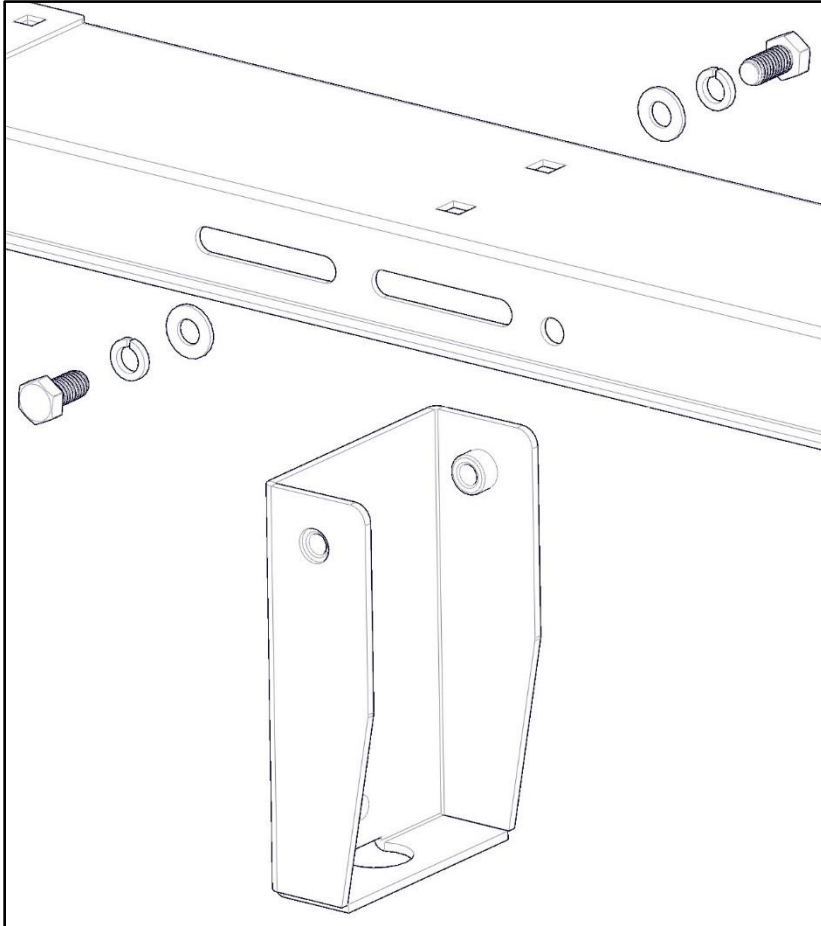
Step 8 – Set Distance

- Set center to center distance from rear foot at 71.5" or 96". If using the extension, set at 96".



Step 9 – Mount Feet to Rack

- Determine if the rack is being assembled on the vehicle or if the rack will be assembled off the vehicle and set on top of installed feet.
- In either case, bolt bows to feet using 3/8-16 x .75 hex head (FT4), a 3/8 lock washer (FT5) and a 3/8 flat washer (FT6) in order shown.



GO BACK AND ENSURE ALL HARDWARE IS TIGHT
Your installation is now complete.