



**WE PUT EVERYTHING WITHIN REACH.**

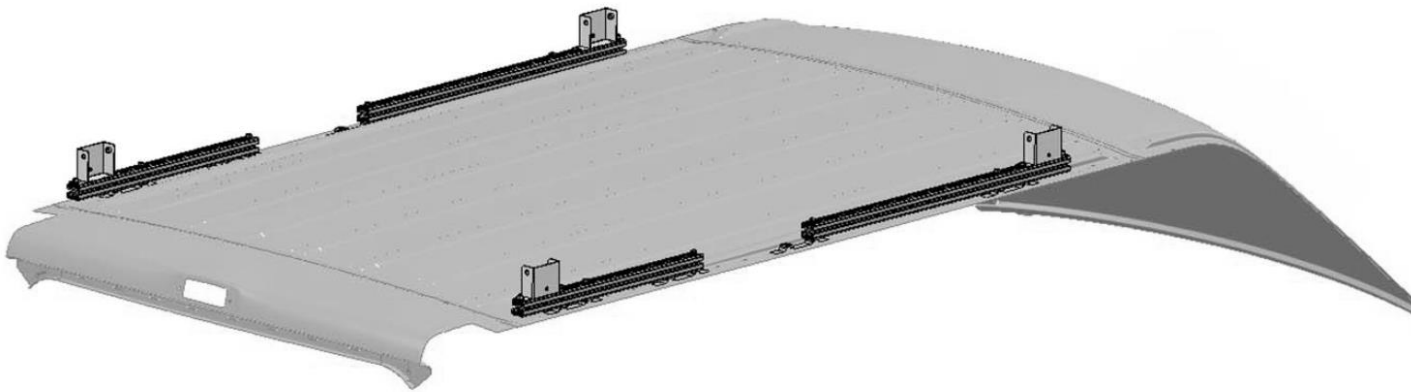
---

# Installation Guide

---

## 40818 NV

---



---

Kargo Master  
Rancho Cordova, CA 95742  
800-343-7486  
CustomerService@KargoMaster.com

---

DATE: \_\_\_\_\_

**\*PLEASE READ ALL INSTRUCTIONS AND WARNINGS PRIOR TO ASSEMBLING,  
INSTALLING, AND USING THIS PRODUCT\***

**Warning**



Always check for wires, fuel tanks and lines, brake lines and other important vehicle functionality items prior to drilling and installing all products.

**Tools Needed**

1/2" Socket and Wrench	9/16" Socket and Wrench
Hack Saw	13mm Socket and Wrench
Tape Measure	

**Table of Contents**

Rack Mount Hardware List ..... 2

NV Parts List ..... 3

NV Assembly Hardware List ..... 3

Step 1 – Cut Mount Rail ..... 4

Step 2 – Attach U-Nuts ..... 4

Step 3 – Attach Mount Rails ..... 5

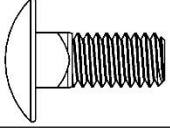
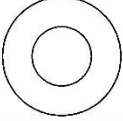
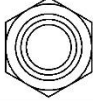
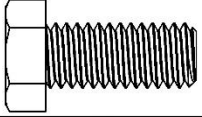
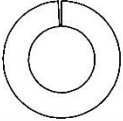
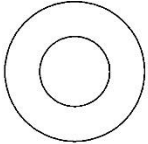
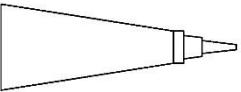
Step 4 – Attach Mount Feet ..... 6

Step 5 – Mount Feet to Rack ..... 7

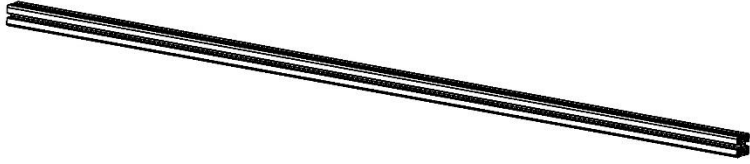
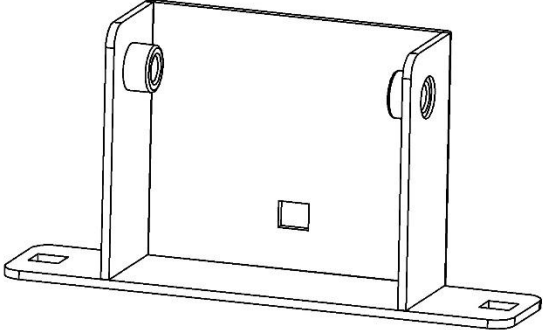
**Before You Begin**

- Read all instructions.
- Use Anti-Seeze on all threads.
- When mounting to the roof, place generous amounts of E6000 to seal the interior of van from the exterior elements. E6000 will be in the rack assembly.
- Follow assembly instructions to assemble and install rack.

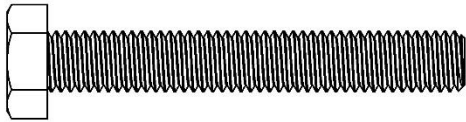
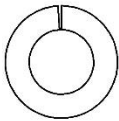
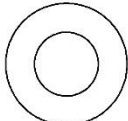
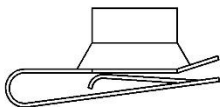
Mount Hardware

ITEM NO.	18-40818-FT	DESCRIPTION	PART NUMBER	QTY.
FT1		.312-18 x .75 Carriage SS	92356A581	16
FT2		.312 Flat Washer SS	96659A107	16
FT3		.312-18 Nyloc SS	91831A030	16
FT4		.375-16 x .875 HH SS	92240A623	8
FT5		.375 Split Lock Washer SS	92146A031	8
FT6		.375 Flat Washer SS	96659A108	8
		Anti-Seeze	Anti-Seeze	1

NV Mount Parts

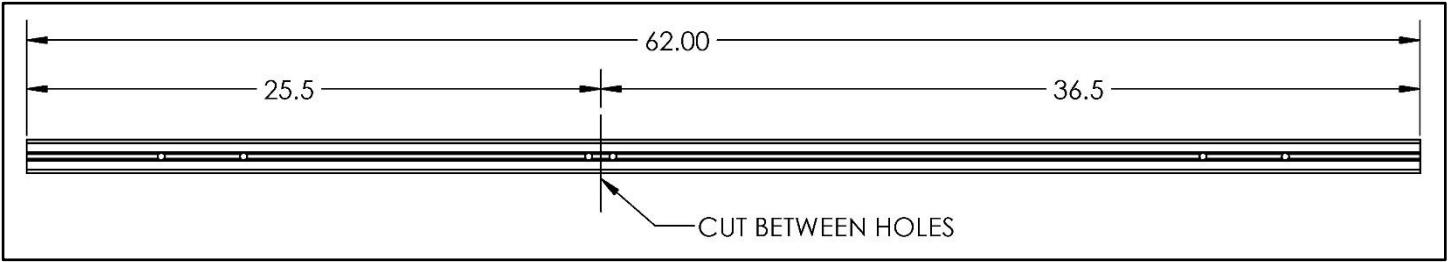
ITEM NO.		PART NUMBER	DESCRIPTION	QTY.
A		40818-20-001-R1	62in Extrusion	2
B		40818-10	Short Foot Bracket	4

NV Mount Hardware

ITEM NO.	TO SCALE	DESCRIPTION	DESCRIPTION	QTY.
1		M8x1.25 x 55mm HH SS	91287A311	12
2		M8 Split Lock Washer SS	92148A200	12
3		M8 Flat Washer SS	93475A270	12
4		M8x1.25 U-Nut SS	95210A190	12

## Step 1 – Cut Mount Rail

- Cut 62" extrusion (A) between the two close holes in the location shown.

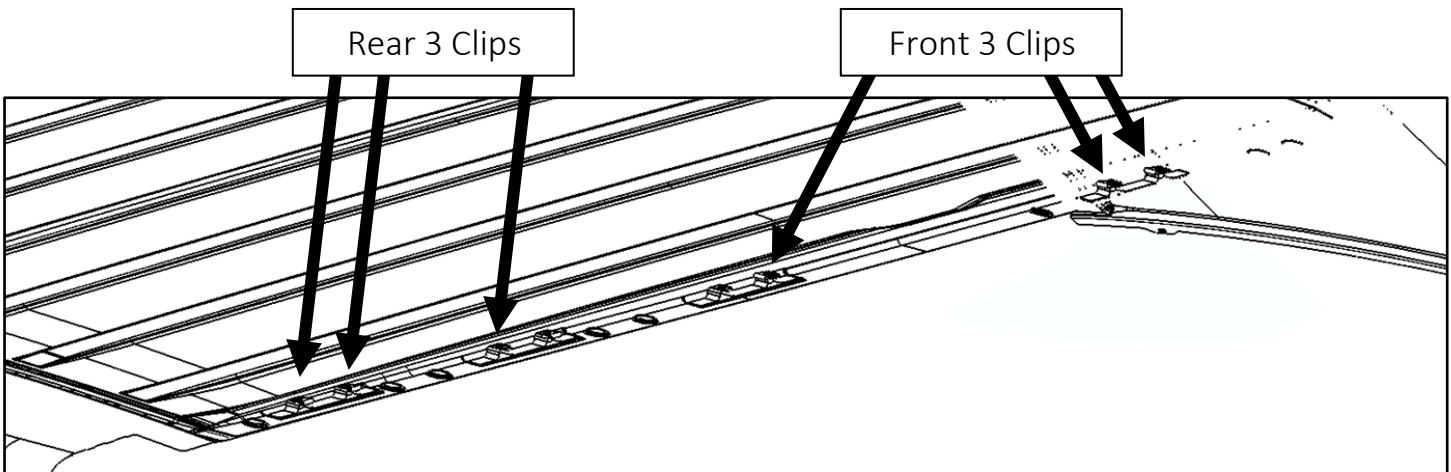
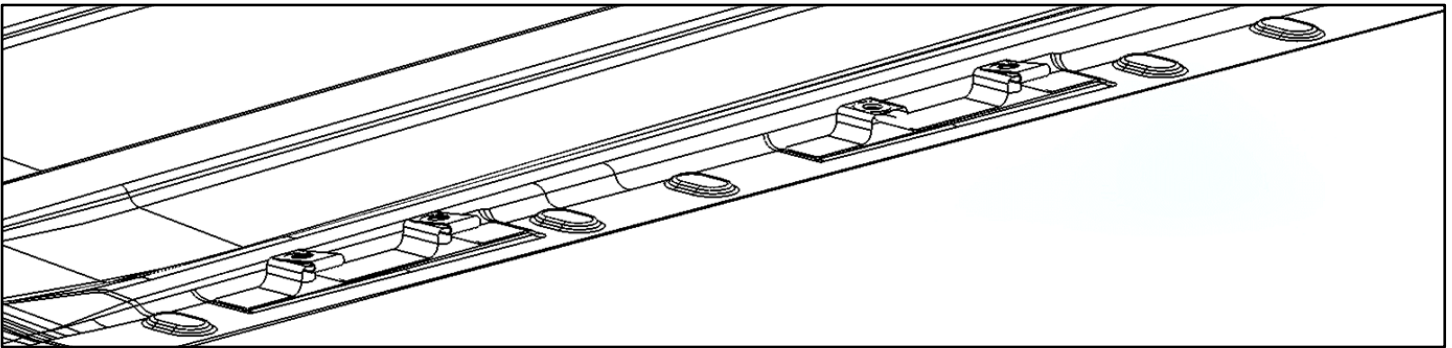
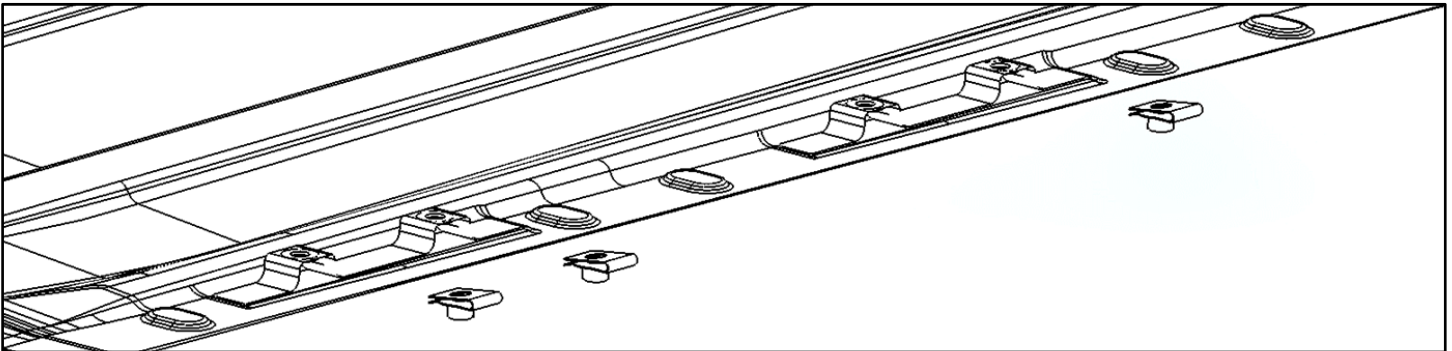


- The short rail is for the rear. The longer section is for the front.



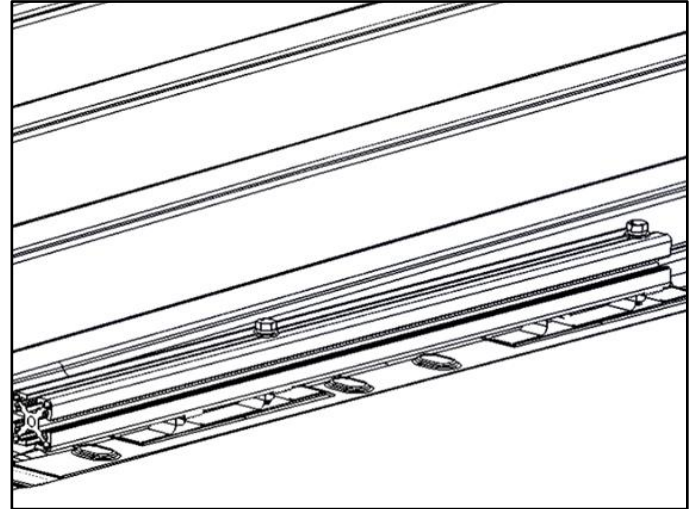
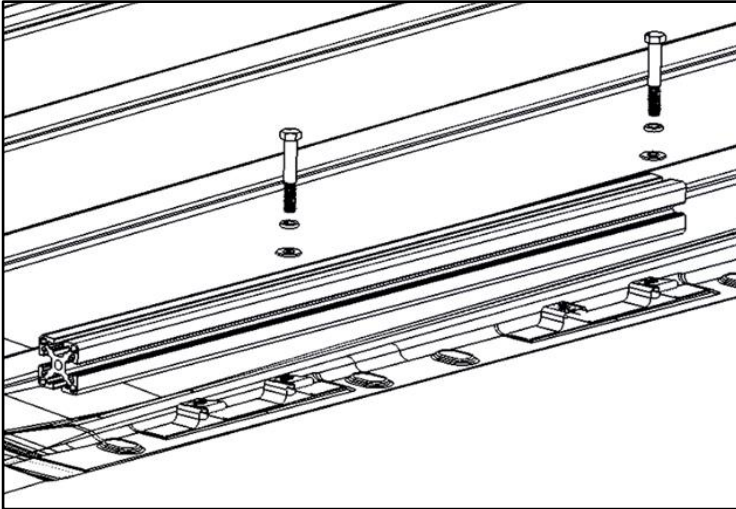
## Step 2 – Attach U-Nuts

- Slide U-Nut (4) over mounts on top of roof in locations shown.



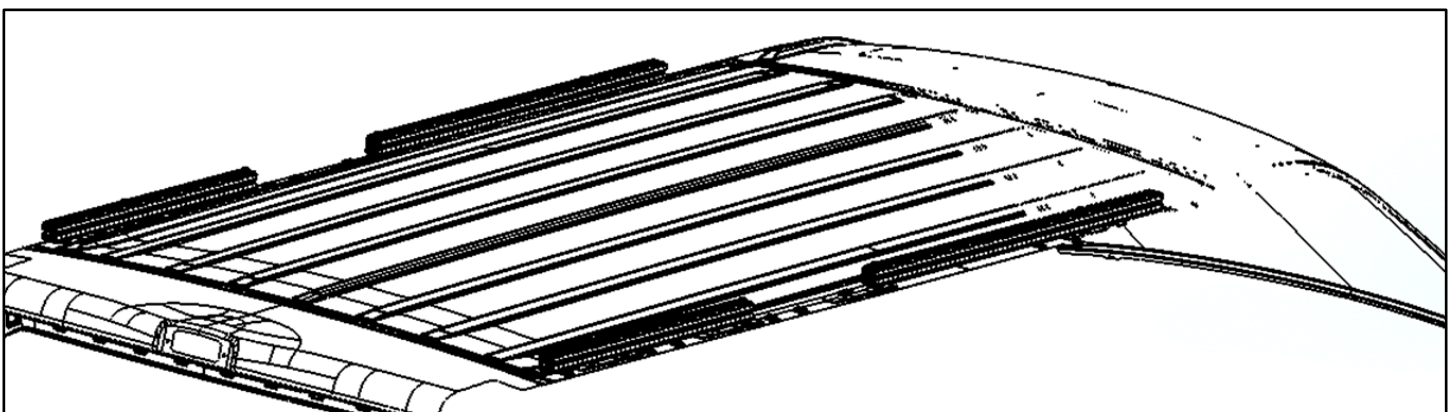
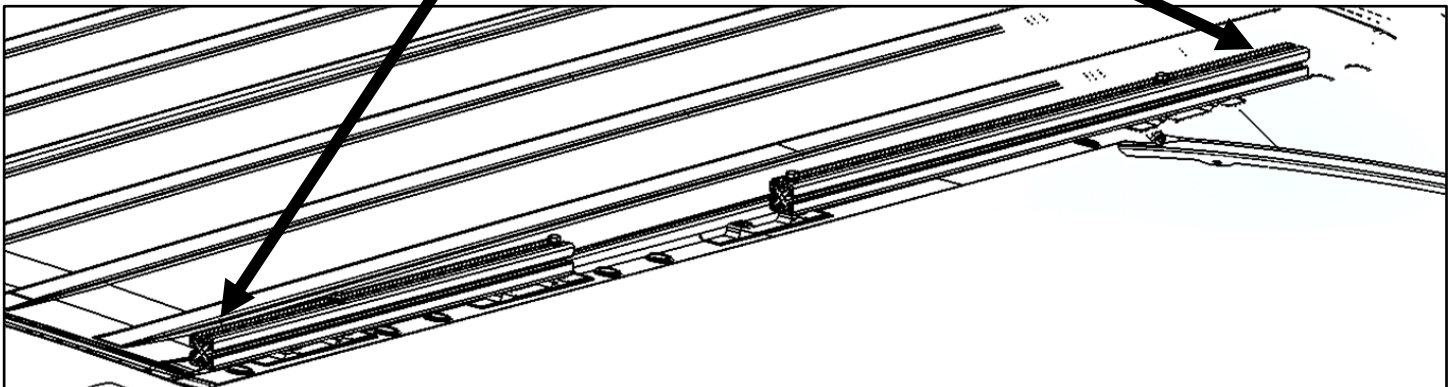
### Step 3 – Attach Mount Rails

- Bolt short section of rail at the rear of the van. Bolt through the front two holes using M8 x 55mm HH (1), M8 split lock washer (2), M8 flat washer (3) and into the M8 U-Nut (4). The hole closest to the cut goes towards the front.
- Leave the rear most hole empty. Put Anti-Seeze on all threads.



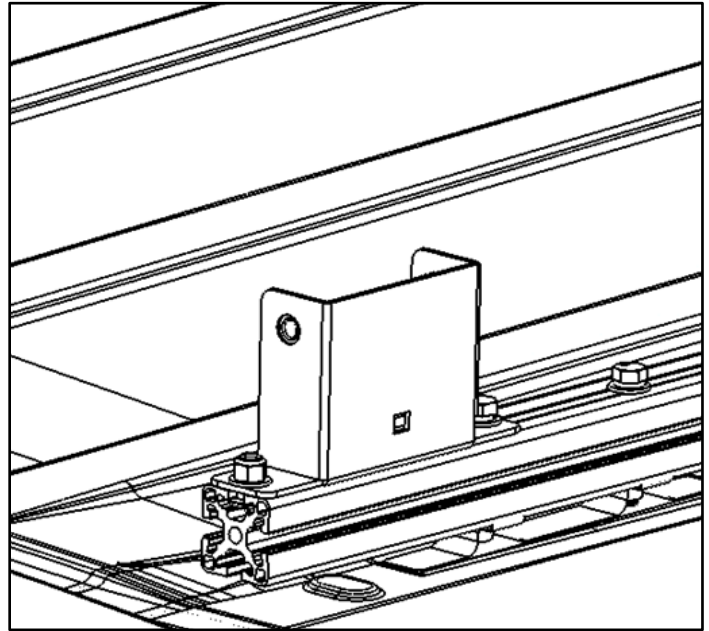
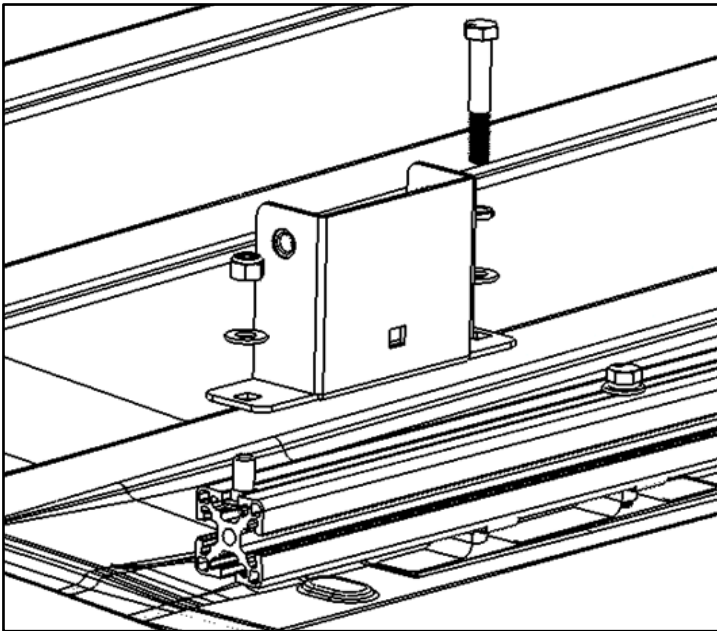
- Bolt long section of rail at the front of the van. Bolt through the rear two holes using M8 x 55mm HH (1), M8 split lock washer (2), M8 flat washer (3) and into the M8 U-Nut (4). The hole closest to the cut goes towards the rear. Put Anti-Seeze on all threads.

Leave Holes Empty

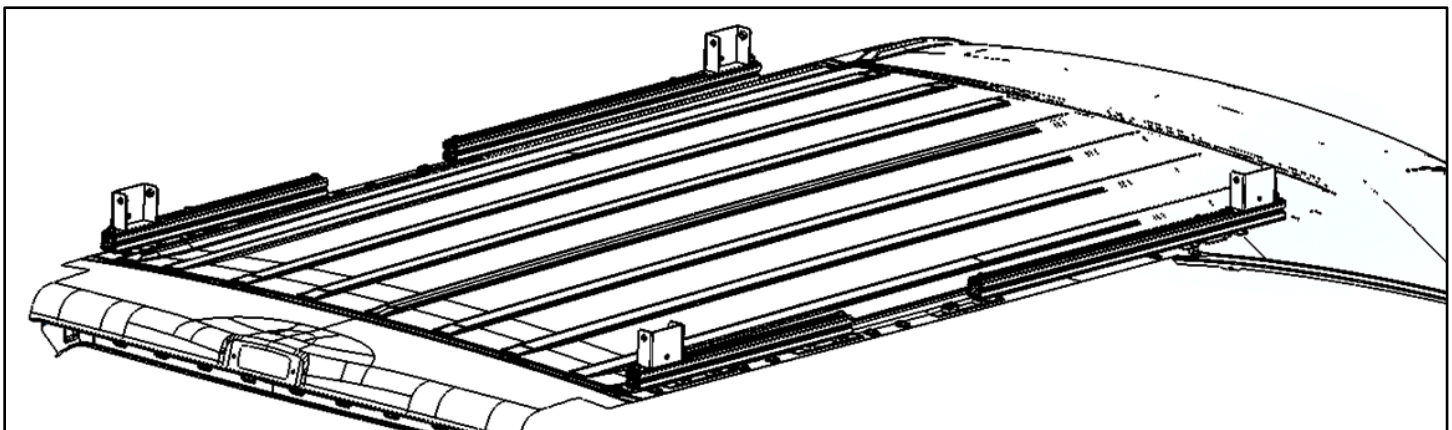


## Step 4 – Attach Mount Feet

- Slide one 5/16 x .75 carriage bolt (FT1) into the top slot of extrusion. These carriage bolts are in the foot mount kit (18-40818-FT).
- Bolt through the mount foot and through the hole left open in the extrusion from the previous step using M8 x 55mm HH (1), M8 split lock washer (2), M8 flat washer (3) and into the M8 U-Nut (4).
- Bolt through the other opening in the foot using the 5/16 carriage bolt (FT1), a 5/16 flat washer (FT2) and a 5/16 nyloc nut (FT3). Put Anti-Seeze on all threads.

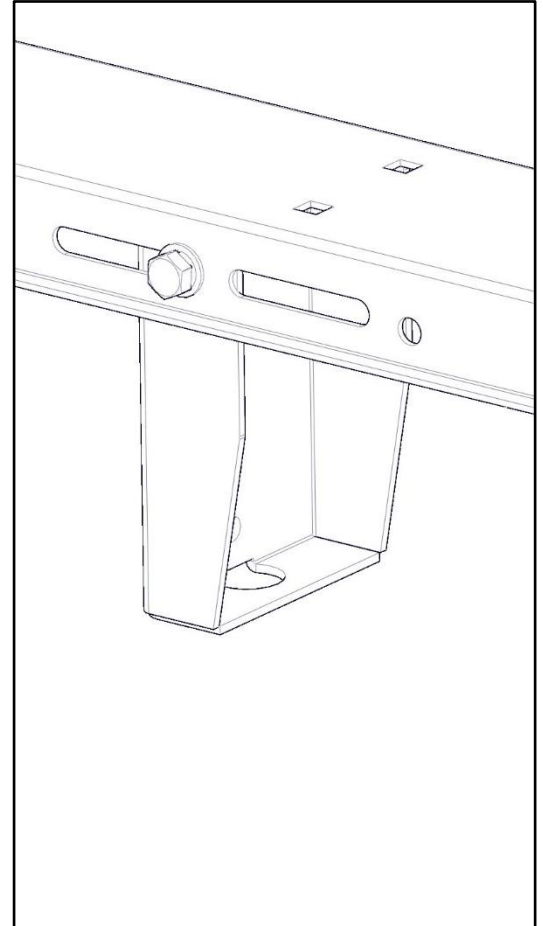
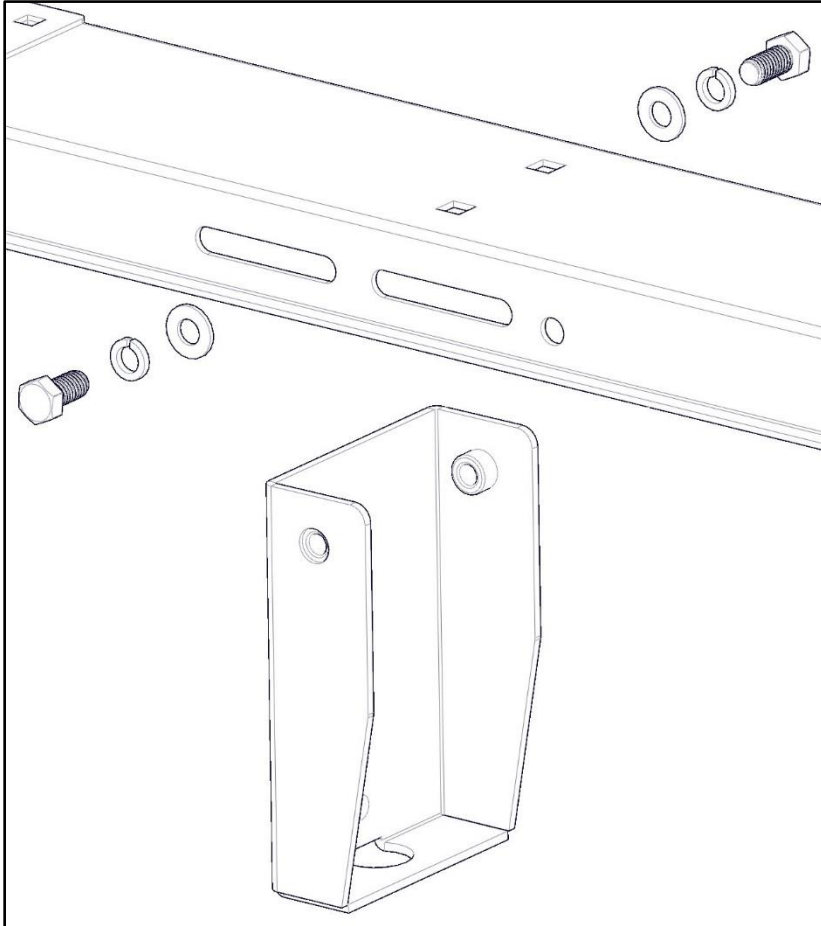


- Repeat on the front rail.



## Step 5 – Mount Feet to Rack

- Determine if the rack is being assembled on the vehicle or if the rack will be assembled off the vehicle and set on top of installed feet.
- In either case, bolt bows to feet using 3/8-16 x .875 hex head (FT4), a 3/8 lock washer (FT5) and a 3/8 flat washer (FT6) in order shown.



**GO BACK AND ENSURE ALL HARDWARE IS TIGHT**  
Your installation is now complete.