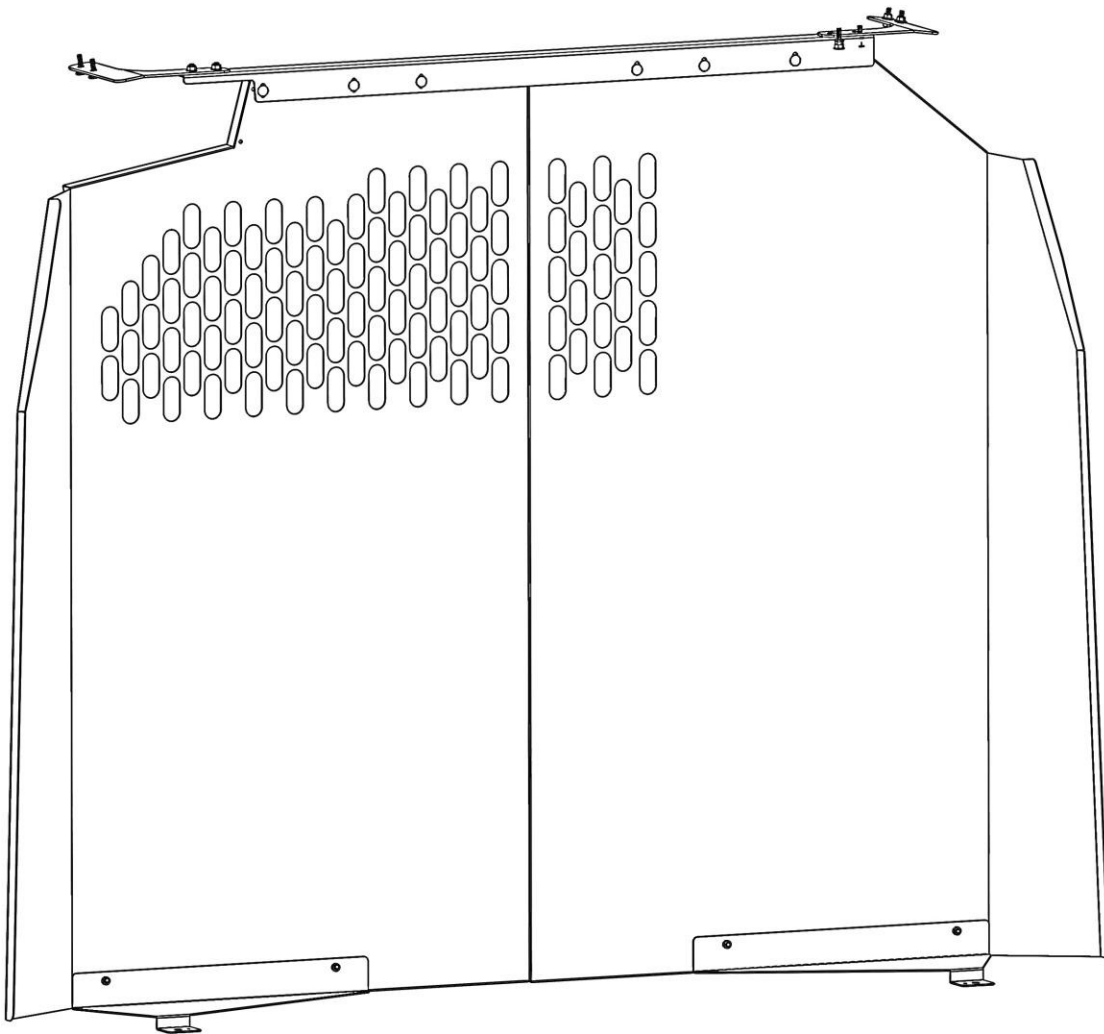


Holman

Instruction Guide 406GMF-P



Holman
Rancho Cordova, CA 95742
800-343-7486
InstallationSupport@Holman.com

*** PLEASE READ ALL INSTRUCTIONS AND WARNINGS PRIOR TO ASSEMBLING, INSTALLING, AND USING THIS PRODUCT. ***

Warning



Always check for wires, fuel tanks and lines, brake lines and other important vehicle functionality items prior to drilling and installing all products.

Tools Needed

7/16" Socket and Wrench	7/16" Box Wrench
10MM Socket and Wrench	10MM Box Wrench

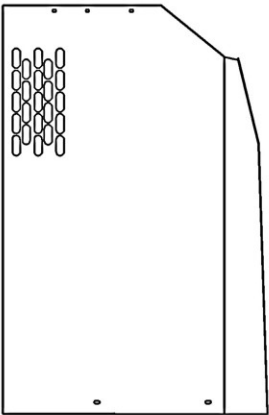
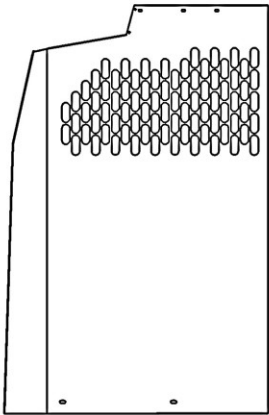

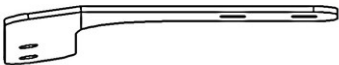


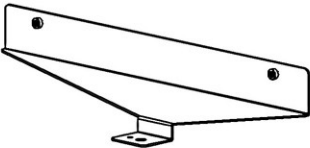
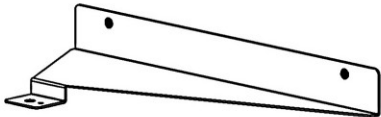
Table of Contents

Before You Begin	1
Parts	2
Hardware (18-406GMF-P)	3
Hardware (18-40600)	3
Step 1 – Install Floor Mounts.....	4
Step 2 – Install Upper Corner Mounts.....	5
Step 3 – Attach Upper Mount to Corner Mounts.....	6
Step 4 – Join Partition Panels	7
Step 5 – Install Partition	8


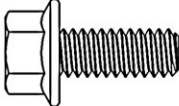
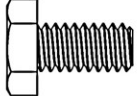
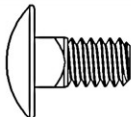
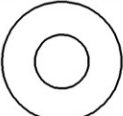

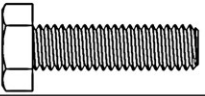

Before You Begin

- Read all instructions prior to assembling or installing any Holman product.
- **Always locate your installation locations prior to performing any work.**
- **ENSURE SAFETY WHILE INSTALLING INTO VEHICLE.**

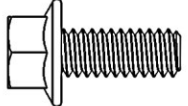

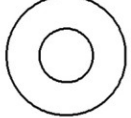
Parts

NO.	ITEM	PART NUMBER	DESCRIPTION	QTY.
1		100849	Standard Partition DS-ASM	1
2		100854	Standard Partition PS-ASM	1
3		406GM-00-003	Upper Mount	1
4		406GM-00-004	GM-Upper Corner Mount PS RH	1
5		Mirror406GM-00-004	GM-Upper Corner Mount DS LH	1
6		100852	RUBBER MOULDING	2
7		406GM-10	GM Wing Floor Mount DS LH	1
8		Mirror406GM-10	GM Wing Floor Mount PS RH	1
9		18-406GMF	Hardware Kit	1
10		18-40600	Standard Partition Hardware	1

Hardware (18-406GMF-P)

ITEM	HARDWARE TO SCALE	PART NUMBER	DESCRIPTION	QTY.
1		0167030	1/4"-20 FLANGED LOCK NUT	10
2		11126953	1/4"-20 X 5/8" FLANGED HEX HEAD	4
3		11241162	1/4"-20 X 1/2" HEX HEAD BOLT	4
4		0158942	1/4"-20 x 1/2" CARRIAGE BOLT	6
5		33078	1/4" FLAT WASHER	12
6		33618	1/4" LOCK WASHER	6
7		38560	M6 X 1.0 X 22MM HEX HEAD BOLT	4
8		11564981	M6 NYLON LOCKING LOCK NUT	4

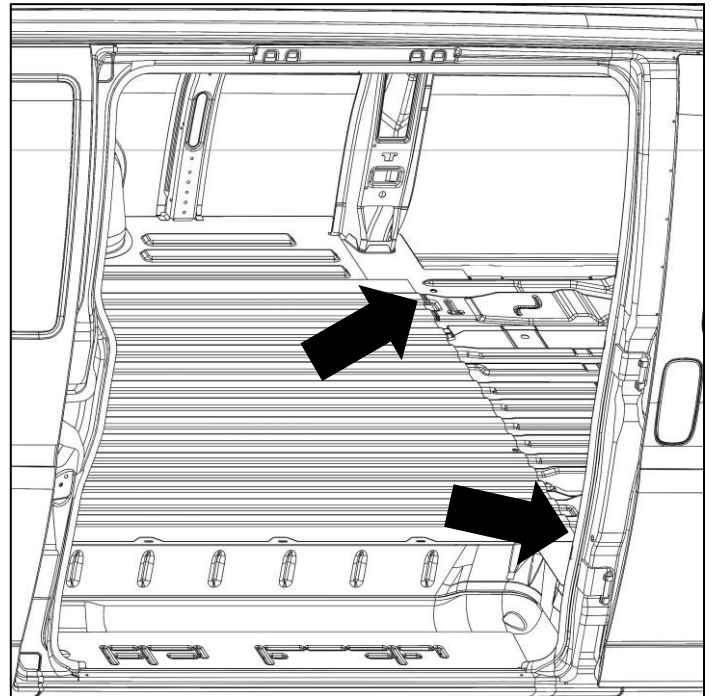
Hardware (18-40600)

ITEM	HARDWARE TO SCALE	PART NUMBER	DESCRIPTION	QTY.
1		11126953	1/4"-20 X 5/8" FLANGED HEX HEAD	4
2		0167030	1/4"-20 FLANGED LOCK NUT	4
3		33078	1/4" WASHER	8

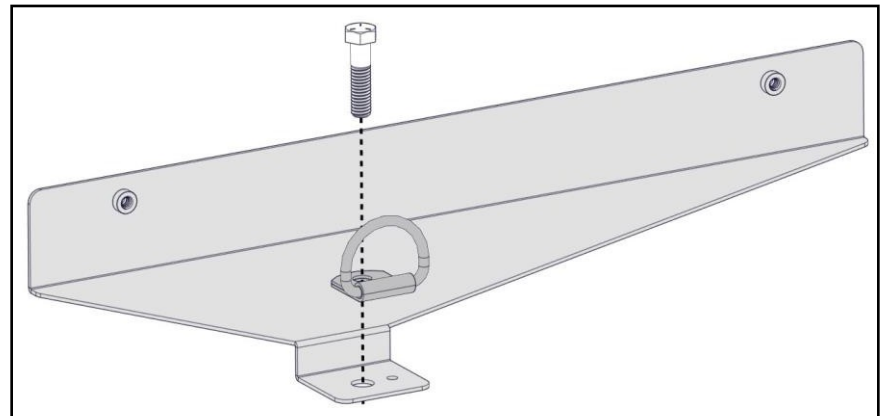
DO NOT EXCEED MANUFACTURERS WEIGHT CAPACITY FOR ROOF

Step 1 – Install Floor Mounts

- Behind both seats, locate the D-Rings in the floor.
- Remove both D-Rings.

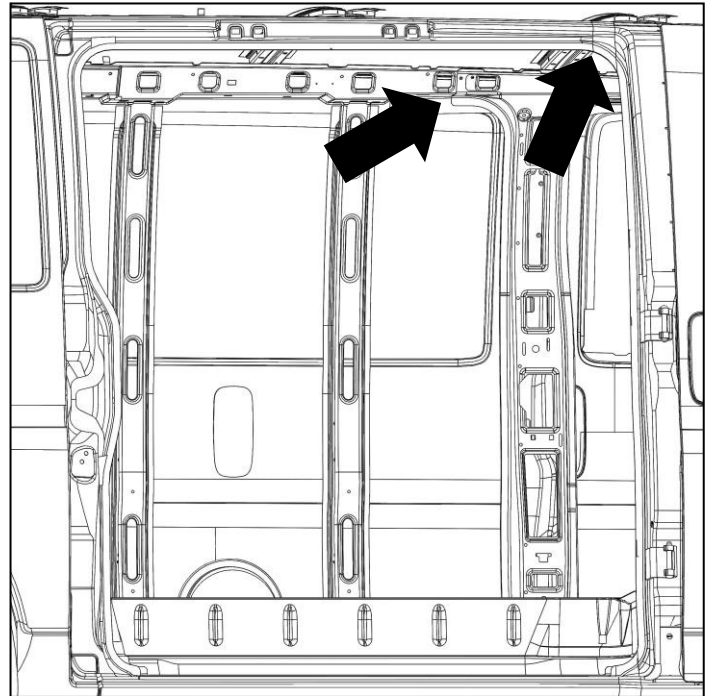


- Align the floor mounts with the previously removed D-Rings. Orient the vertical flanges on floor mounts towards rear of the van.
- Loosely install the floor mounts using the previously removed D-Rings as shown.



Step 2 – Install Upper Corner Mounts

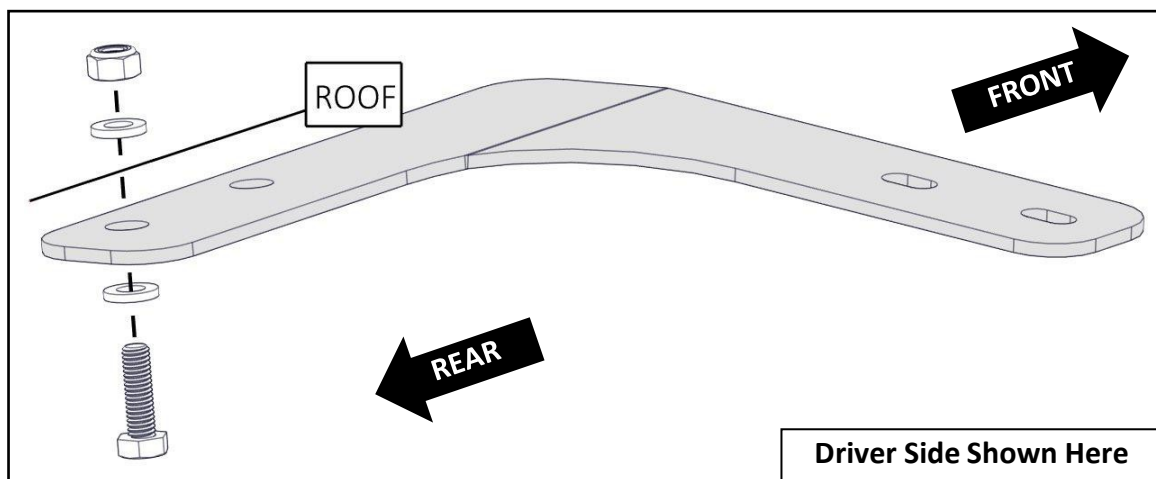
- Along the roof of the van, locate the mount locations behind both seats. These are above the slider door.



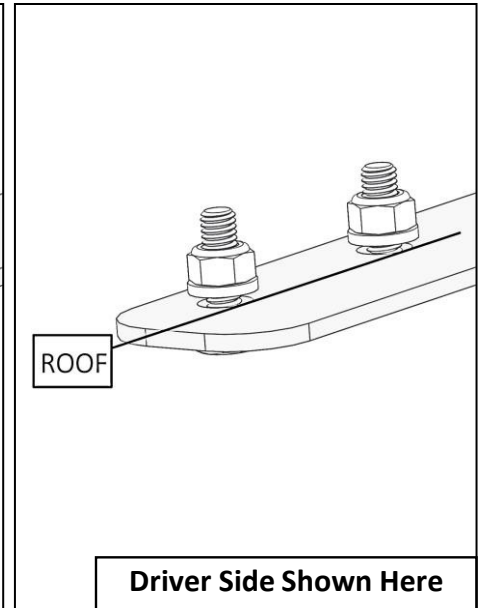
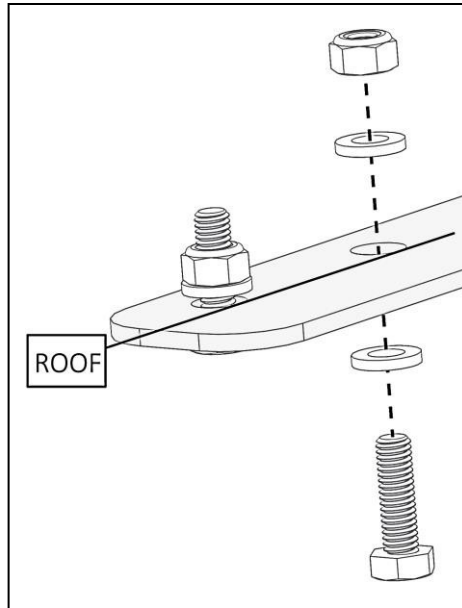
- Evaluate the mounting locations and determine if a threaded emboss is present.

Note: In some vans, a M6 threaded emboss will be attached (see picture above). The others will have two through holes.

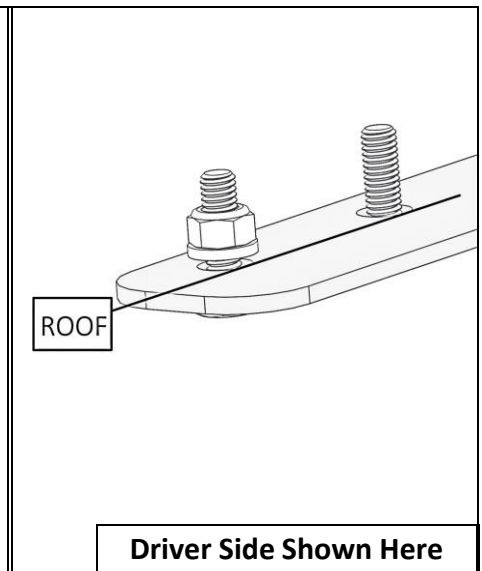
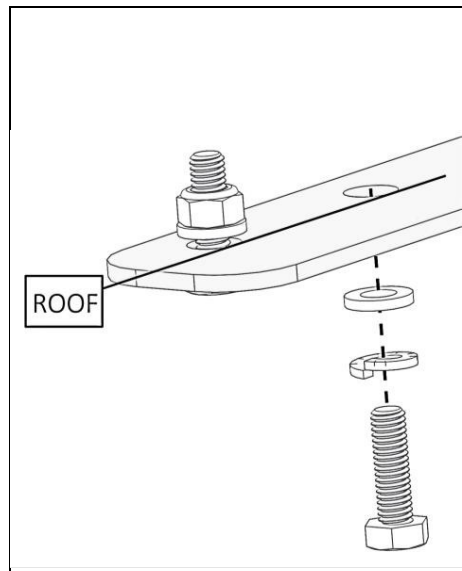
- **Be sure to use the correct upper corner mount.** When the mount is attached properly, the flange should be towards the front of the vehicle and parallel to the floor. The slots in the upper corner mount will attach to the partition assembly.
- Through the rear most hole of the upper corner mount, attach in place using a M6 x 22mm hex head bolt, two 1/4" flat washers and a 1/4" lock nut in the orientation shown.



- If there is no threaded emboss on the forward most hole location, install corner mount using a M6 x 22mm hex head bolt, two 1/4" flat washers and 1/4" lock nut in the orientation shown.
- Snug tighten, but allow movement.

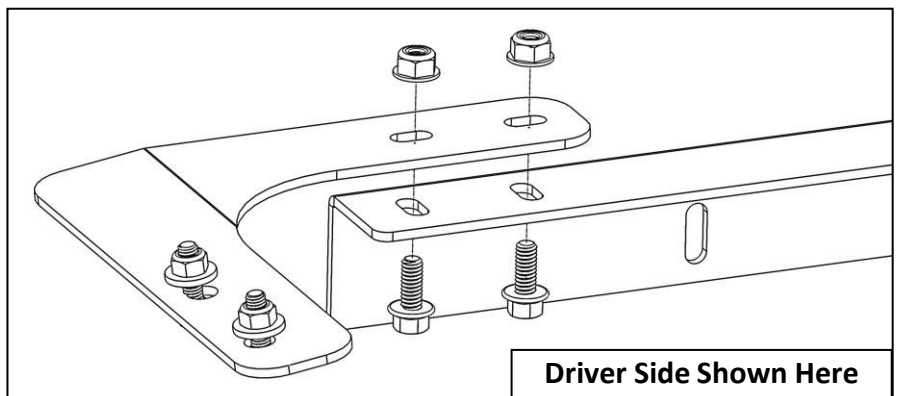


- If a threaded emboss is present, attach through the front most hole location, install corner mount using a M6 x 22mm hex head bolt, 1/4" lock washer and 1/4" flat washer, as shown.
- Snug tighten, but allow movement.
- Repeat this step on opposite side of vehicle for opposing corner mount.
- Tighten corner mount hardware.

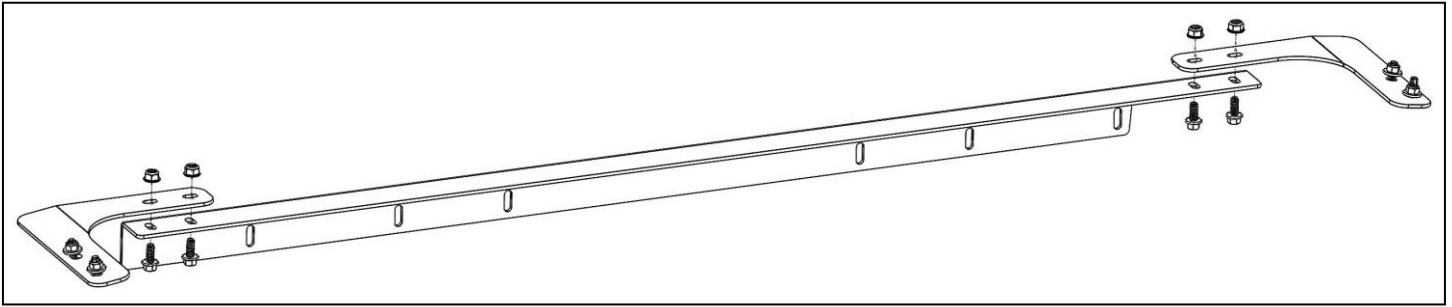


Step 3 – Attach Upper Mount to Corner Mounts

- Using two 1/4" x 5/8" flanged hex head bolts and two 1/4" flanged lock nuts, LOOSELY bolt upper mount to a corner mount. Be sure to orient the upper mount with the flange on the front of vehicle and flange downward. **DO NOT tighten!**

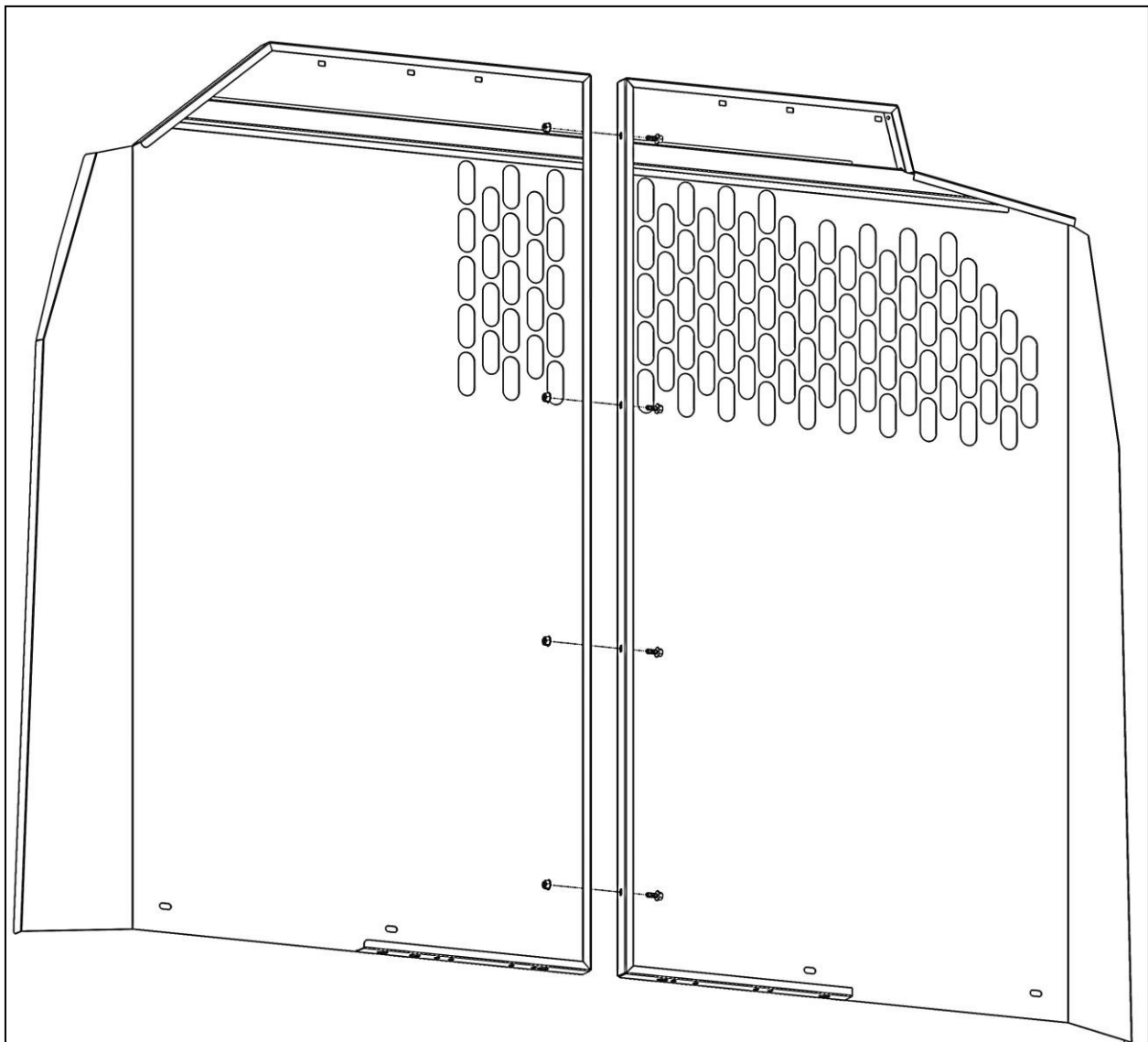


- Using two 1/4" x 5/8" flanged hex head bolts and two 1/4" flanged lock nuts, LOOSELY bolt upper mount to opposing corner mount. **DO NOT tighten!**

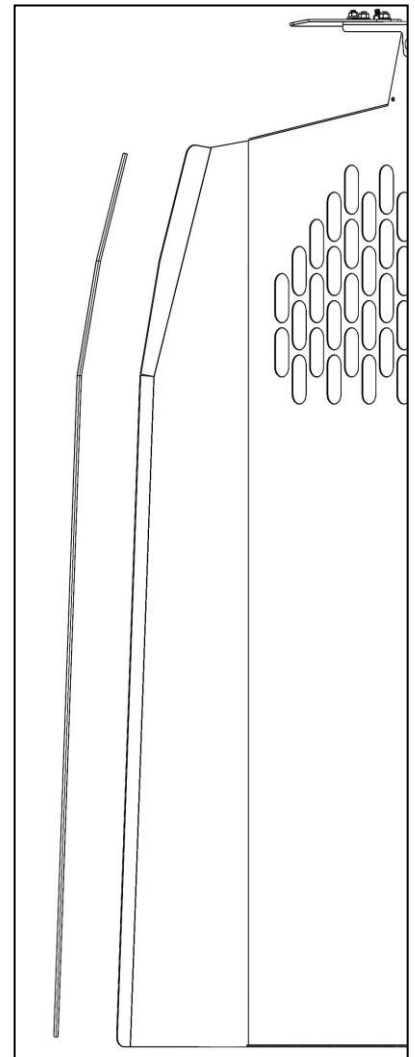
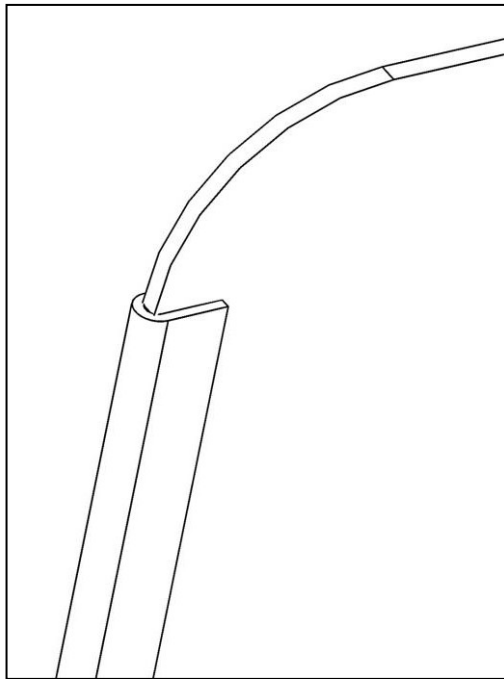


Step 4 – Join Partition Panels

- Using four 1/4" x 5/8" flanged hex head bolts and 1/4" flanged lock nuts, attach driver-side partition panel to passenger-side partition panel. **Be sure flanges are facing the same direction.**
- Snug tighten but allow for movement.

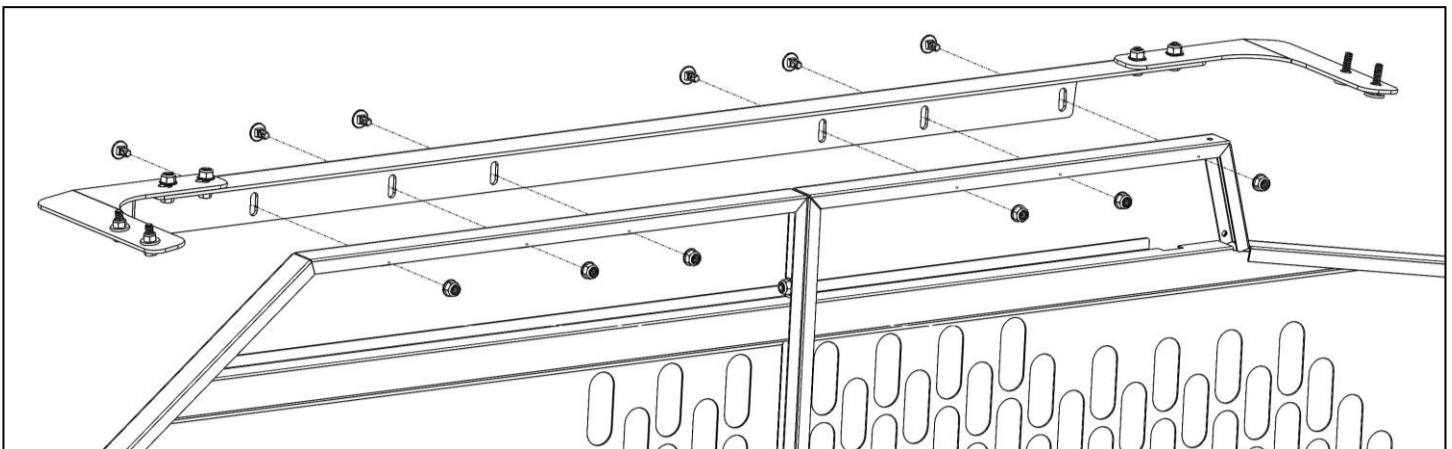


- Attach rubber edge trimming to outer edges of partition panels.
- Repeat for opposite side.

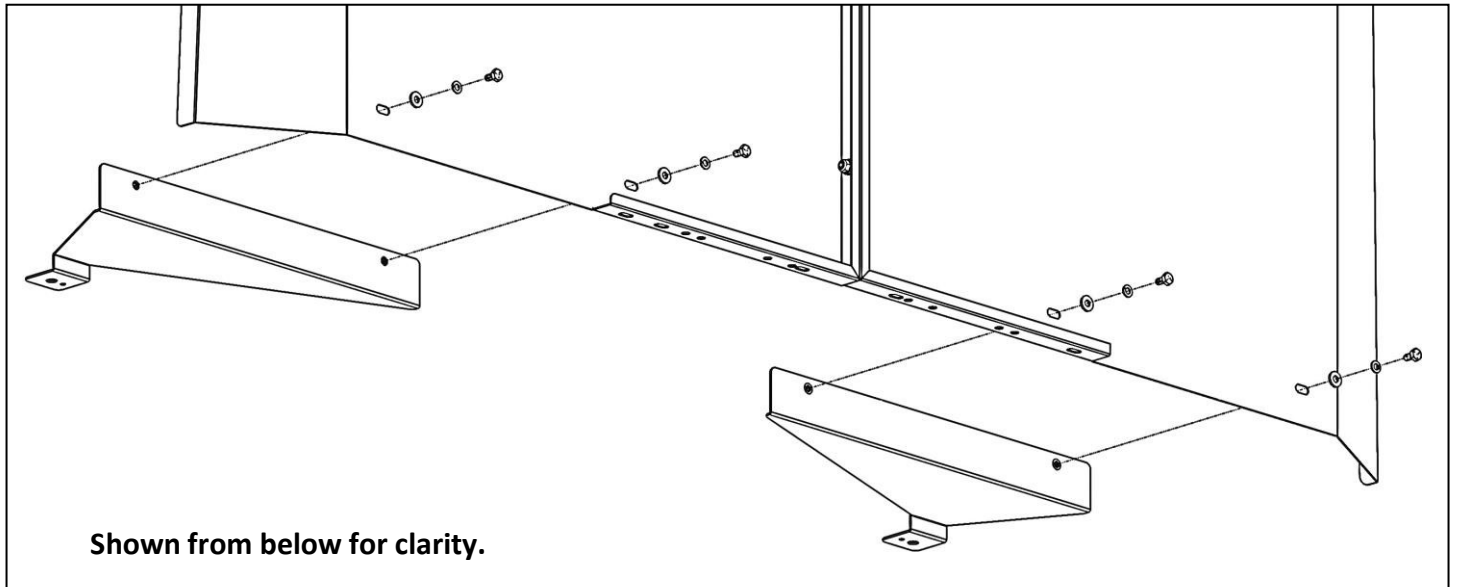


Step 5 – Install Partition

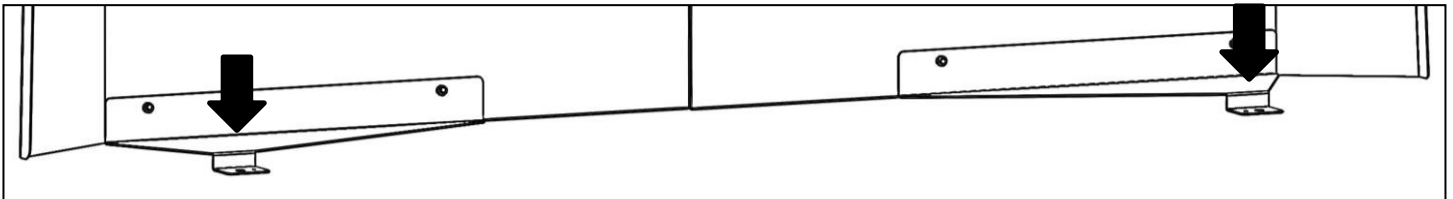
- Position partition in vehicle. Flanges on partition are towards rear of vehicle.
- Using six 1/4" x 5/8" flanged hex head bolts and 1/4" flanged lock nuts, LOOSELY bolt partition to upper mount.
- Snug tighten but allow for movement.



- Using four 1/4" x 1/2" hex head bolts, 1/4" lock washers, 1/4" flat washers, bolt partition to nuts pressed in floor mounts.
- Snug tighten but allow for movement.



- Re-install previously removed D-rings.



GO BACK AND TIGHTEN ALL HARDWARE.

INSTALLATION AND ASSEMBLY ARE COMPLETE.