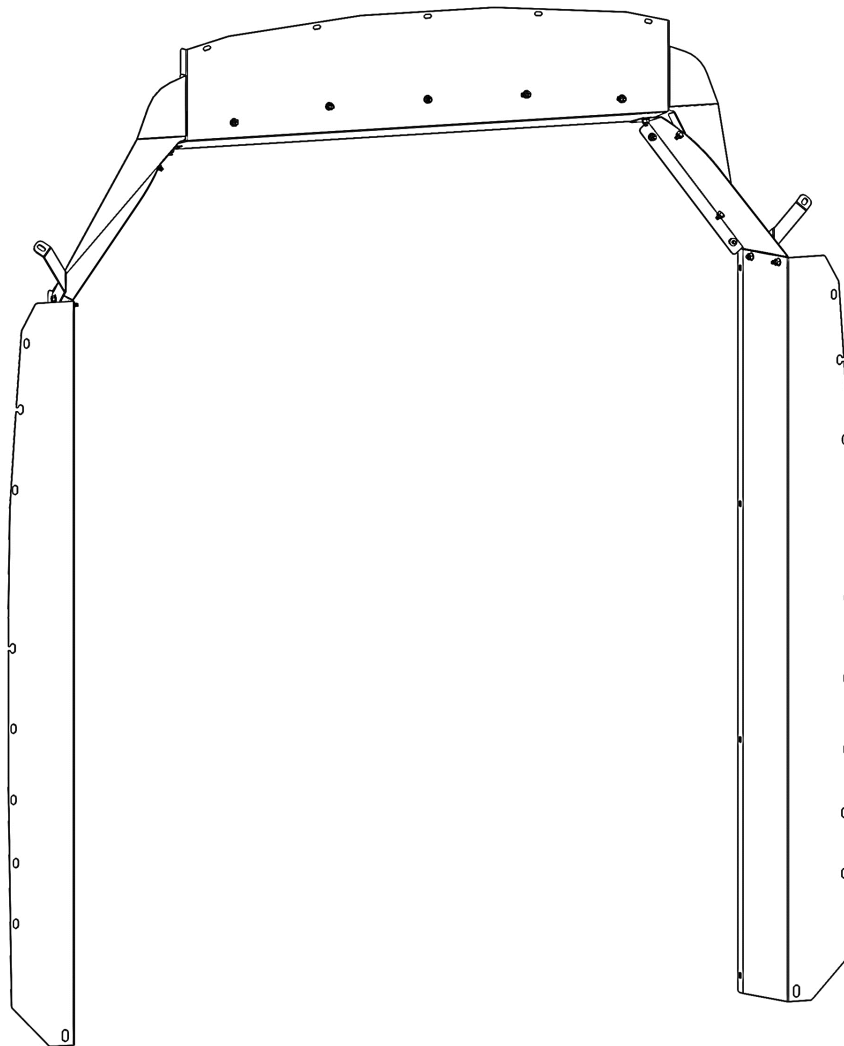


# Holman

---

## Instruction Guide 40669TH

---



---

Holman  
Rancho Cordova, CA 95742  
800-343-7486  
InstallationSupport@Holman.com

**\*PLEASE READ ALL INSTRUCTIONS AND WARNINGS PRIOR TO ASSEMBLING, INSTALLING, AND USING THIS PRODUCT.\***

## Warning



**Always check for wires, fuel tanks and lines, air bags, brake lines, and other important vehicle functionality items prior to drilling and installing all products.**

## Tools Needed

7/16", 1/2" Sockets and Wrench	7/16", 9/16" Box Wrenches
10mm Socket	10mm Hex Driver Bit
Drill	25/64" Drill Bit
Plus Nut Installation Tool (P9902)*	Drill Bit Stop Collar

\* Sold Separately.



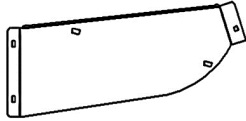
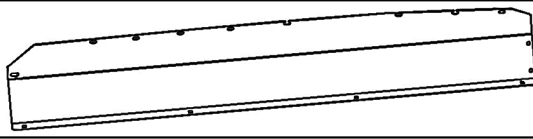

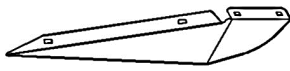
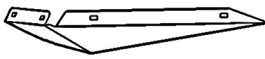
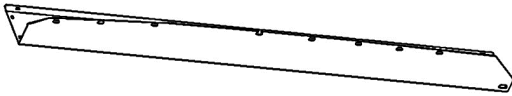

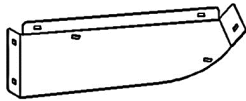
## Table of Contents

Parts List .....	2
Hardware .....	2
Step 1 – Attach Side Wings .....	4
Step 2 – Attach Top Panel .....	4
Step 3 – Attach Corner Panels .....	5
Step 4 – Attach Corner Brackets .....	5
Step 5 – Attach Corner Wing Panels .....	6
Step 6 – Attach Top Wing .....	7
“B” Pillar Installation Notes .....	7
Step 7 – Remove Factory Installed D-Rings .....	7
Step 8 – Install Plus Nuts into Floor .....	8
Step 9 – Install Driver’s Side Wing to “B” Pillar .....	9
Step 10 – Install Passenger Wing to “B” Pillar .....	10
Step 11 – Install Partition to Floor .....	10
Step 12 – Install Top Wing to “B” Pillar .....	11
Step 13 – Install Wings to D-ring Holes .....	12

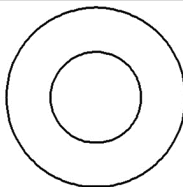
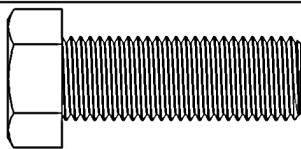
## Before You Begin

- READ ALL INSTRUCTIONS prior to installing any Holman product.
- **Be sure to have 40660 (Tall Partion) assembled and ready to be installed.**
- **Plus Nut Installation Tool Kit (P9902) is not included and must be purchased separately.**

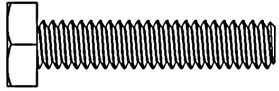
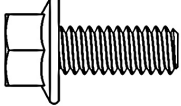
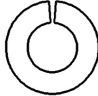
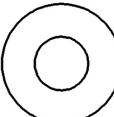

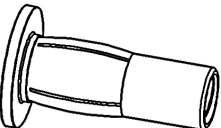
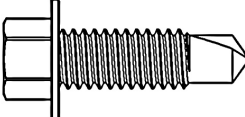
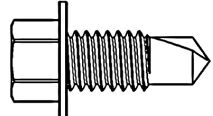
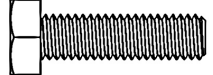
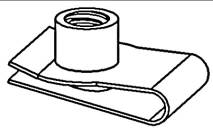
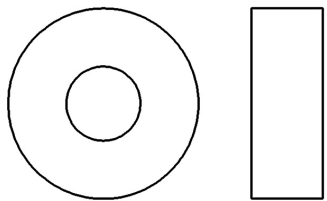
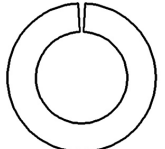
## Parts List

NO.	ITEM	PART NUMBER	DESCRIPTION	QTY.
1		100769	TRANSIT HR TOP PANEL	1
2		100795	TRANSIT HIGH-ROOF TOP PANEL	1
3		100767	TRANSIT MR CORNER PANEL PS	1
4		406TH-10-001	TRANSIT MR PS WING	1
5		406TH-10-004	TRANSIT MR CORNER BRACKET RH PS	1
6		100765	TRANSIT HIGH-ROOF CORNER PANEL-PS	1
7		100766	Transit High-Roof Corner Panel-DS	1
8		406TH-10-001-MIRROR	TRANSIT MR DS WING	1
9		406TH-10-004-MIRROR	TRANSIT MR CORNER BRACKET LH DS	1
10		100768	Transit Mid-Roof Corner Panel DS	1
11		18-100759	TRANSIT HR-HARDWARE	1

## Hardware

ITEM	HARDWARE TO SCALE	PART NUMBER	DESCRIPTION	QTY.
1		1133084	7/16" WASHER	2
2		17157	7/16-20 X 1-1/4" HEX HEAD BOLT	2

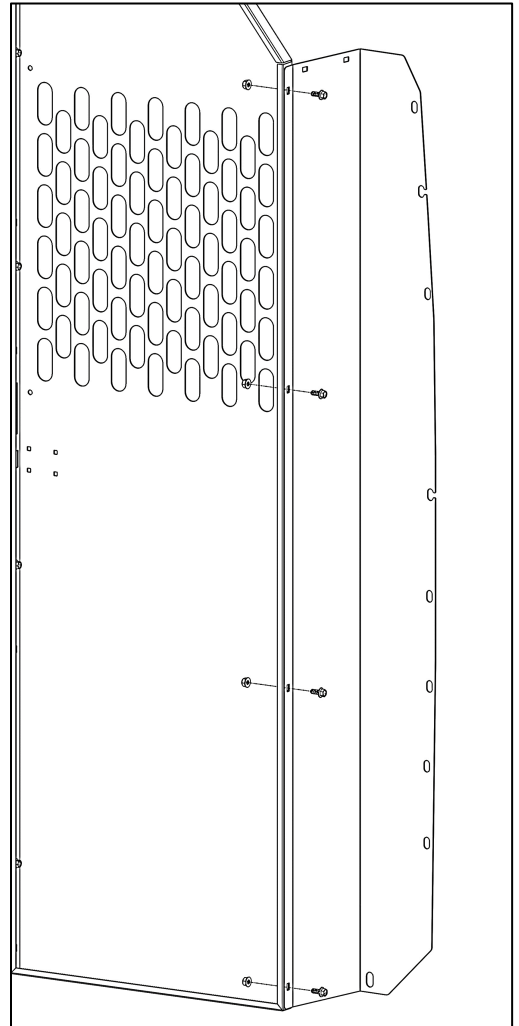
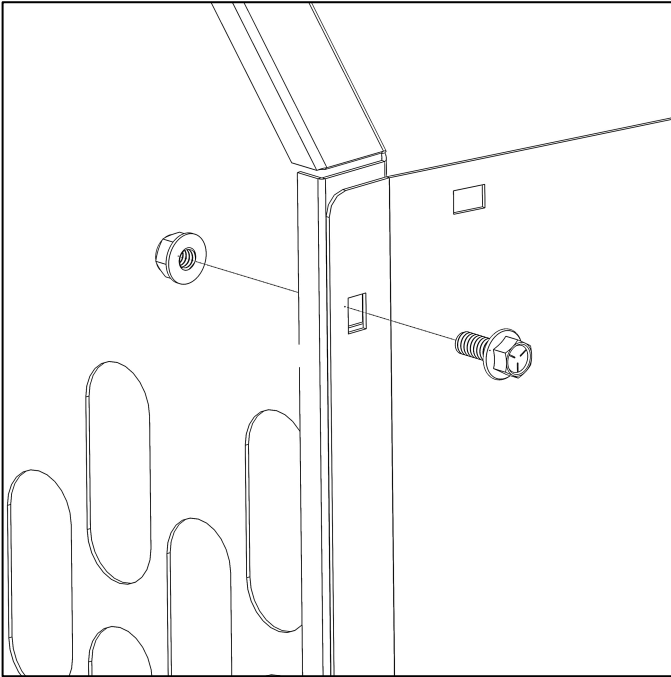
## Hardware (Continued)

ITEM	HARDWARE TO SCALE	PART NUMBER	DESCRIPTION	QTY.
3		13800	1/4"-20 X 1-1/4" HEX HEAD BOLT	4
4		11126953	1/4"-20 X 5/8" FLANGED HEX HEAD	37
5		33618	1/4" LOCK WASHER	13
6		33078	1/4" FLAT WASHER	13
7		0167030	1/4"-20 FLANGED LOCK NUT	37
8		920313726	1/4"-20 PLUS NUT	4
9		0143576	5/16X1 SELF TAPPING	5
10		0143575	5/16 X 3/4" SELF TAPPING	5
11		38566	M6-1 X 25MM HEX HEAD BOLT	9
12		0162878	M6 U-NUT	2
13		11517442	3/8" ID 1" OD NYLON SPACER	4
14		33624	7/16" LOCKING WASHER	2



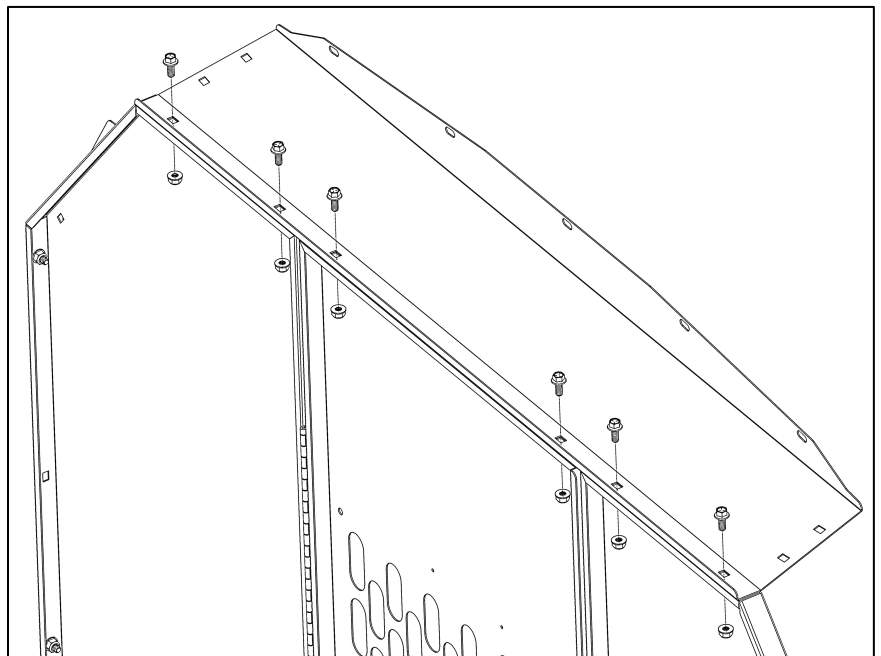
### **Step 1 – Attach Side Wings**

- Using four 1/4" x 5/8" flanged bolt and four 1/4" flanged lock nuts, bolt side wing to partition (40660).
- Snugly tighten.
- Repeat this step on opposite side partition.



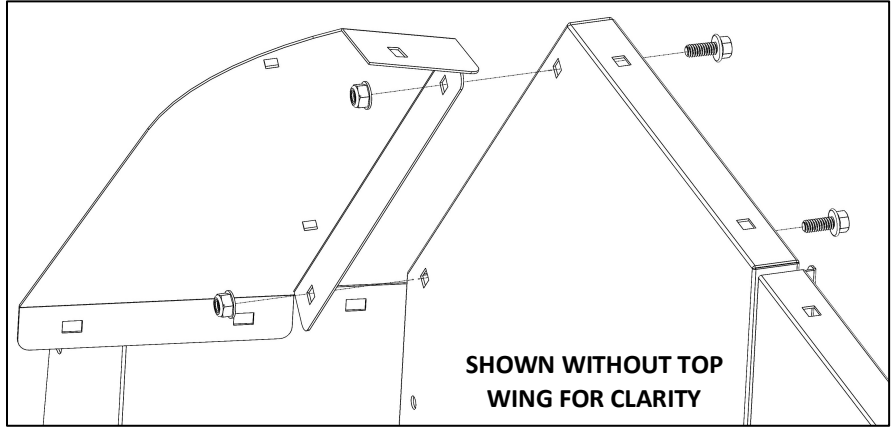
### **Step 2 – Attach Top Panel**

- Using six 1/4" x 5/8" flanged bolts and six 1/4" flanged lock nuts, bolt top panel to partition.
- TIGHTEN hardware.

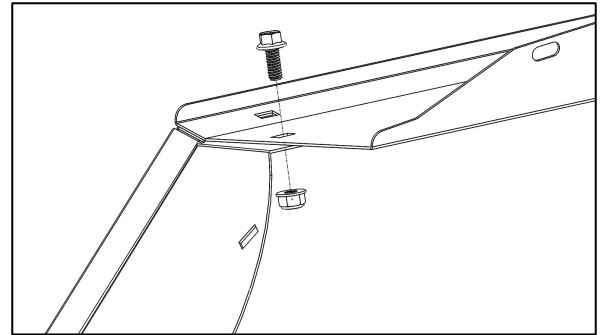


## Step 3 – Attach Corner Panels

- Using two 1/4" x 5/8" flanged bolts and two 1/4" flanged lock nuts, bolt corner panel to partition.
- Snug tighten but allow for movement.



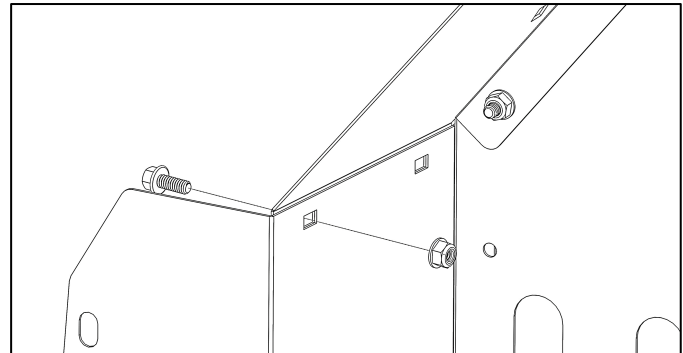
- Using a 1/4" x 5/8" flanged bolt and 1/4" flanged lock nut, bolt corner panel to top wing.
- Snug tighten but allow for movement.



- Using a 1/4" x 5/8" flanged bolt and 1/4" flanged lock nut, bolt corner panel to side wing.

**NOTE: DO NOT install a bolt in the holes closest to the partition corner on each side wing.**

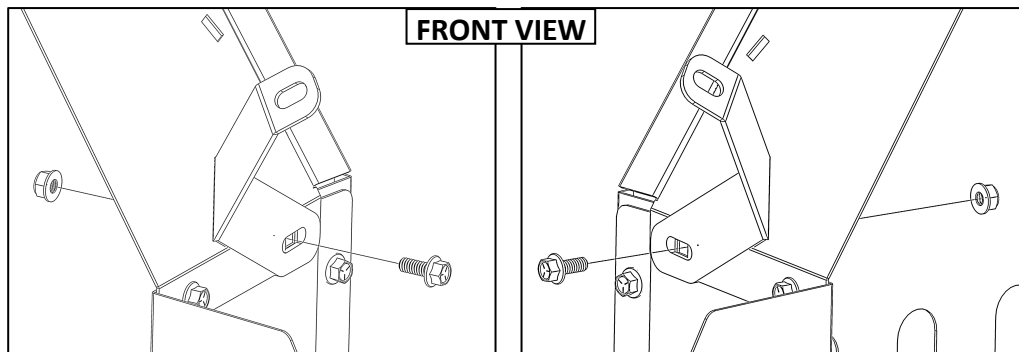
- Snug tighten but allow for movement.
- Repeat this step on opposite side of partition.

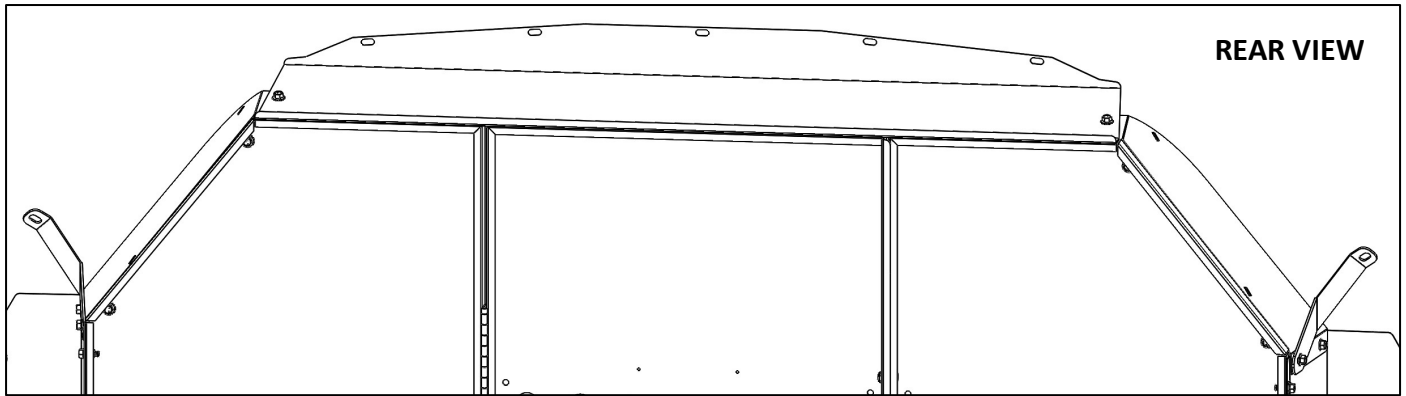


## Step 4 – Attach Corner Brackets

**NOTE: The corner brackets are side specific. Verify the correct bracket position prior to installing.**

- Using a 1/4" x 5/8" flanged bolt and a 1/4" flanged lock nut, bolt each mid roof corner bracket into the holes closest to the partition on each scorners of the partition as shown. The holes used to attach these brackets were the holes the bolt was left out in the previous step.
- Snug tighten.

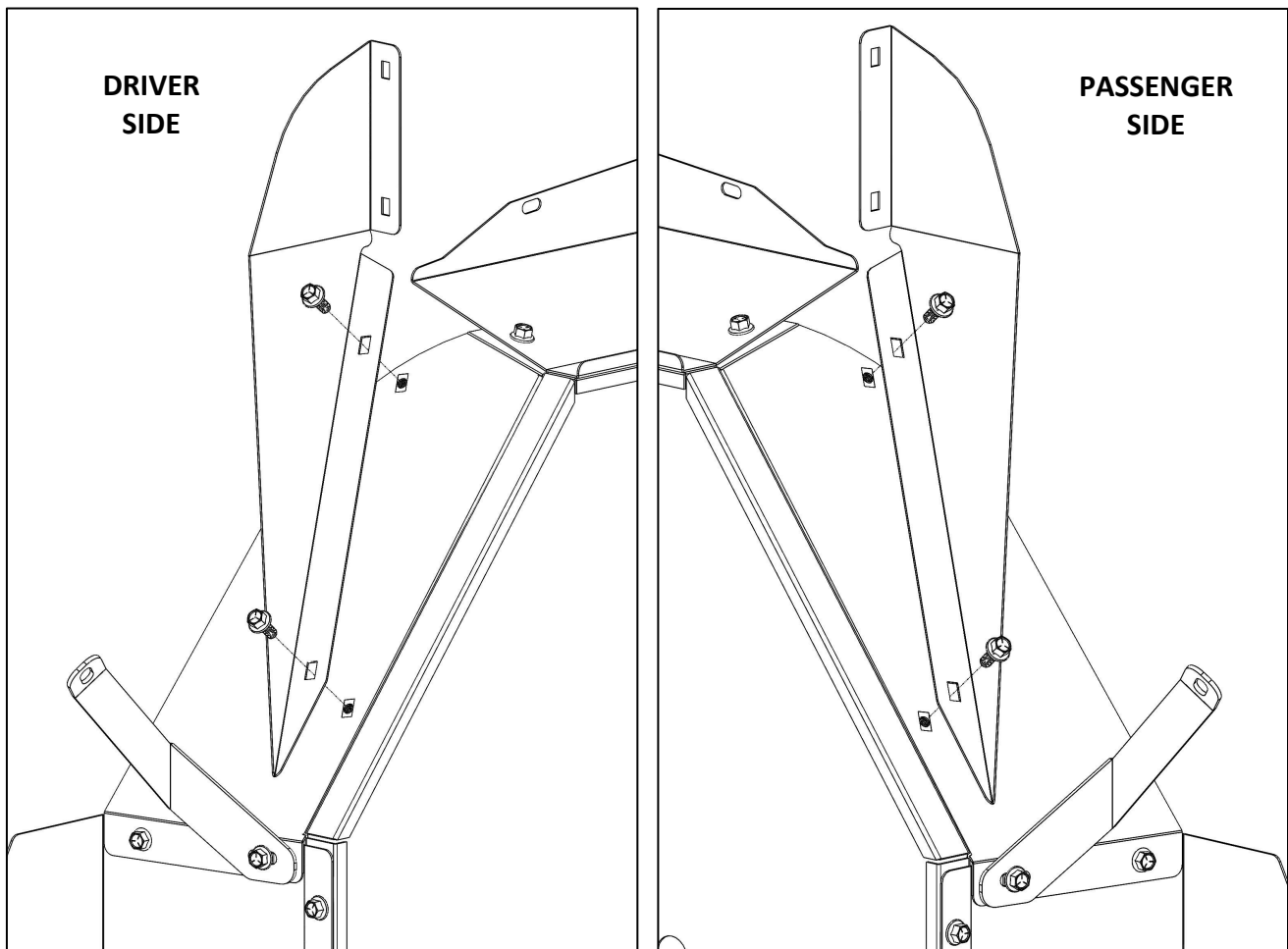




## Step 5 – Attach Corner Wing Panels

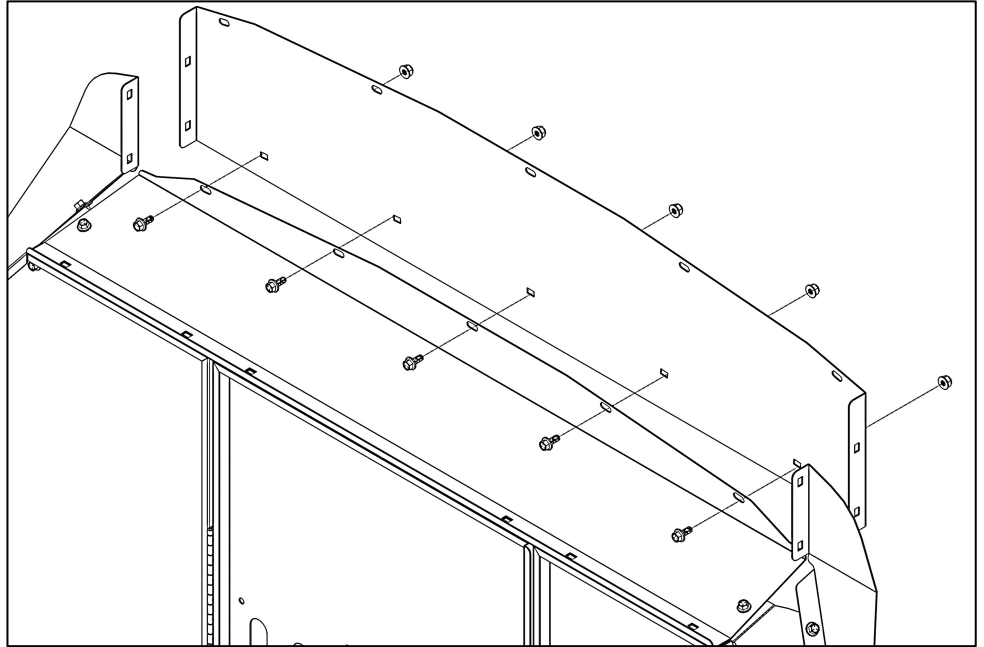
**NOTE:** The corner brackets are side specific. Verify the correct bracket position prior to installing.

- Using 1/4" x 5/8" flanged bolts and 1/4" flanged locknuts, bolt each corner wing to corner panel.
- Snug tighten but allow for movement.

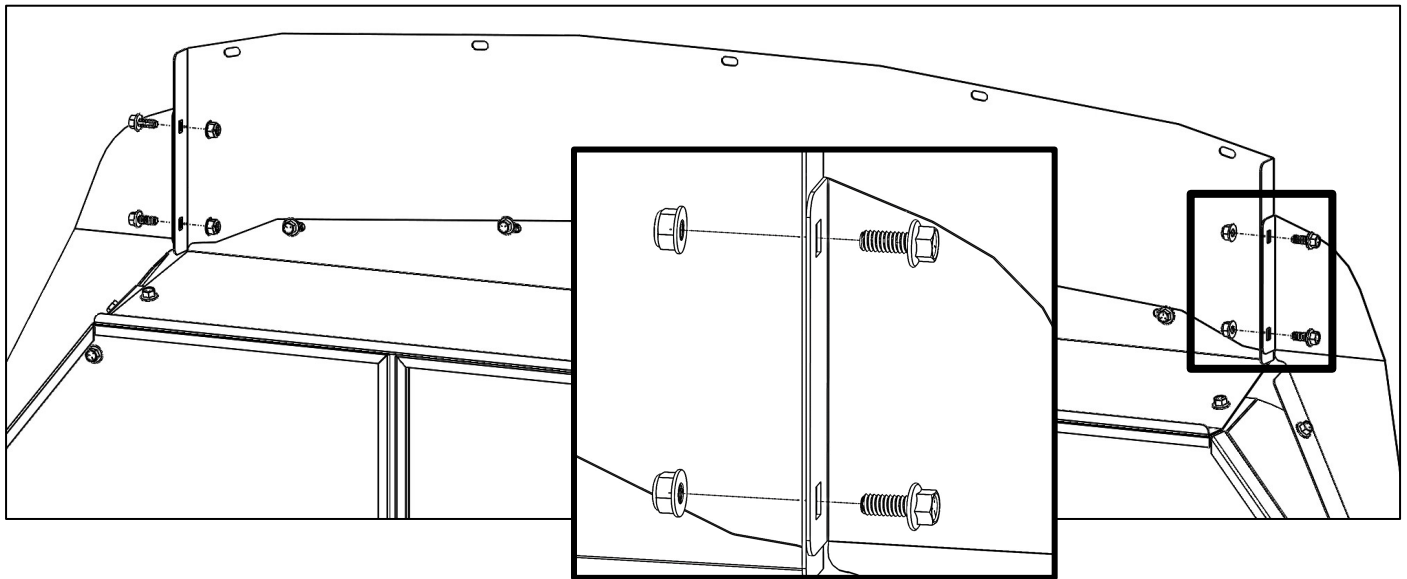


## Step 6 – Attach Top Wing

- Using 1/4" x 5/8" flanged bolts and 1/4" flanged locknuts, loosely bolt the top wing to the top panel.
- DO NOT tighten.



- Using two 1/4" x 5/8" flanged bolts and two 1/4" flanged locknuts, bolt each corner wing to corner panel.
- Snug tighten but allow for movement.



## “B” Pillar Installation Notes

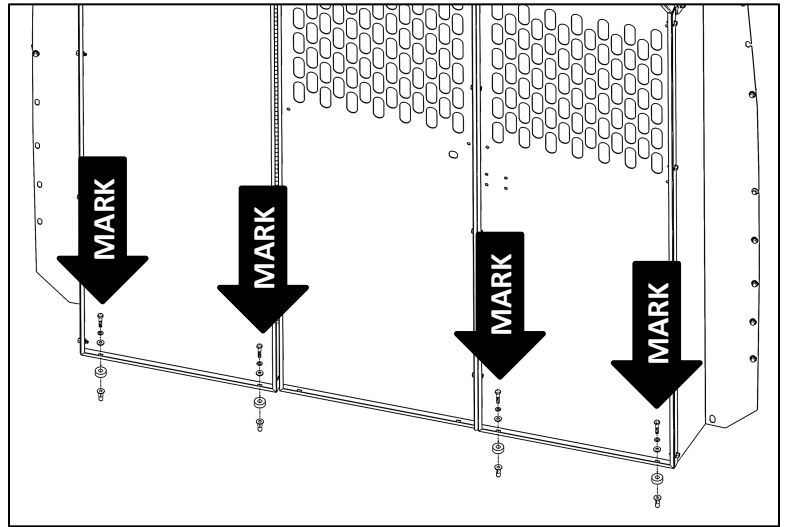
- The driver side wing installs to “B” pillar using self-tapping screws and M6 screws with clip-on U-nuts.
- The passenger side wing installs to “B” pillar using M6 screws into threaded embosses and self-drilling screws.
- The partition attaches to the floor using 1/4" hardware and plus nuts.
- The corner brackets and top wing attach using self-tapping screws.

## Step 7 – Remove Factory Installed D-Rings

- If D-rings are factory installed in the driver-side and passenger-side “B” pillars, remove D-rings.

## Step 8 – Install Plus Nuts into Floor

- Press the assembled partition with wings firmly against the “B” pillar and the top wing across the roof support of the van.
- Use a straight edge across the floor of the van and tight against the partition panels. Ensure the partition is square and aligned to your liking in relation to the van.
- Choose the best two locations on each outside partition panel to drill and install plus nuts.
- Mark all the slots and holes in the bottom of the partition panels.



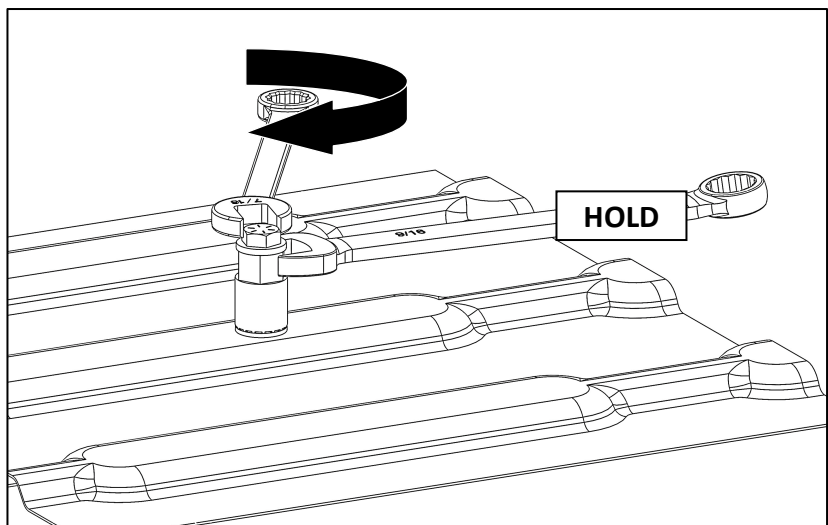
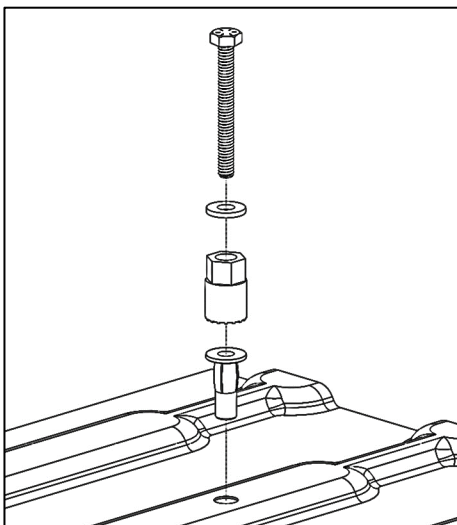
**\*Ensure this is the location of where you want the partition to be installed\***

- Move partition assembly so the previously marked holes can be accessed.
- Set partition assembly aside.



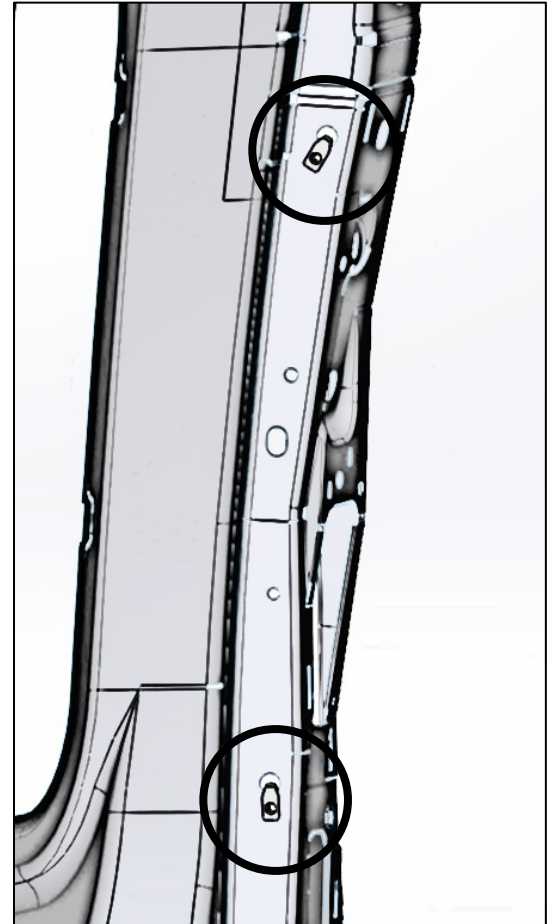
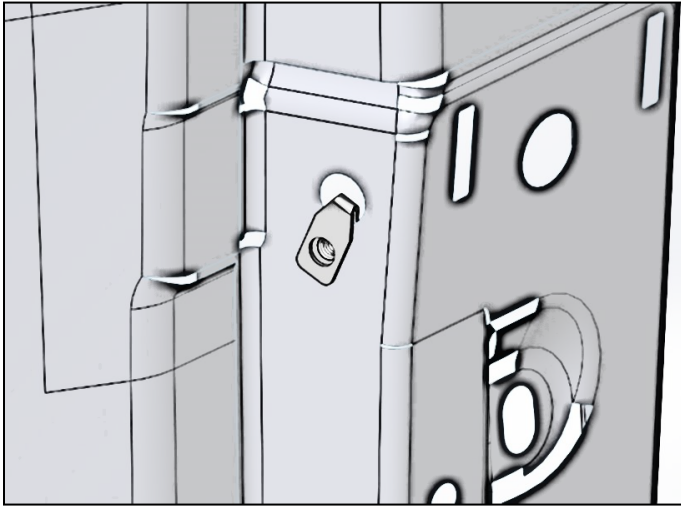
**When installing hardware through any installation surface, always ensure the area behind the installation surface is clear of electrical wiring, fuel tank or lines, or any vehicle safety features.**

- At each marked location, drill hole using 25/64” drill bit and appropriate sized drill-bit stop collar. If 25/64” drill bit is not available, a 3/8” drill bit can be used, but it may be necessary to tap in plus nuts.
- Insert 1/4” x 2-1/4” hex head bolt through 1/4” flat washer and plus nut installation tool, then screw bolt into plus nut. Knurled end of plus nut tool must be directed away from bolt head and contacting plus nut.
- Insert plus nut into hole with plus nut tool attached.
- Using the 9/16” box wrench, hold the plus nut tool stationary and then tighten hex head bolt until plus nut is tightly gripping and does not spin when hex bolt is loosened.
- DO NOT overtighten plus nut.
- Using the 9/16” box wrench, hold the plus nut tool stationary to remove the 1/4” hex head bolt.



## Step 9 – Install Driver’s Side Wing to “B” Pillar

- If D-rings are installed in the bottom of the B-pillar, remove D-rings.
- On the driver’s side, place one M6 clip-on U-nut in each of the two locations shown.

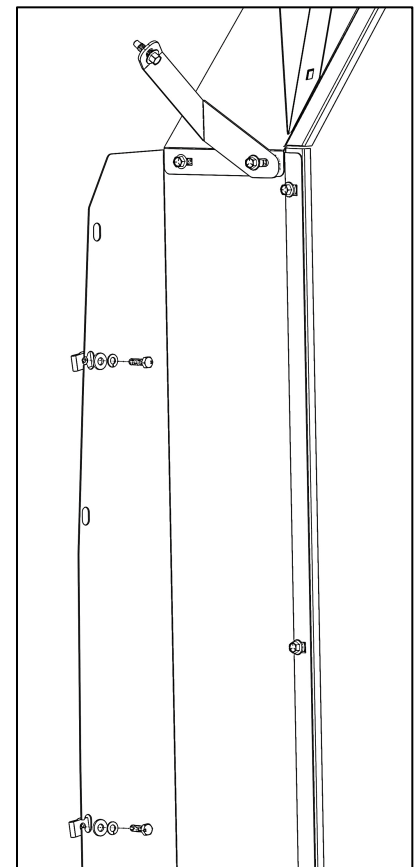
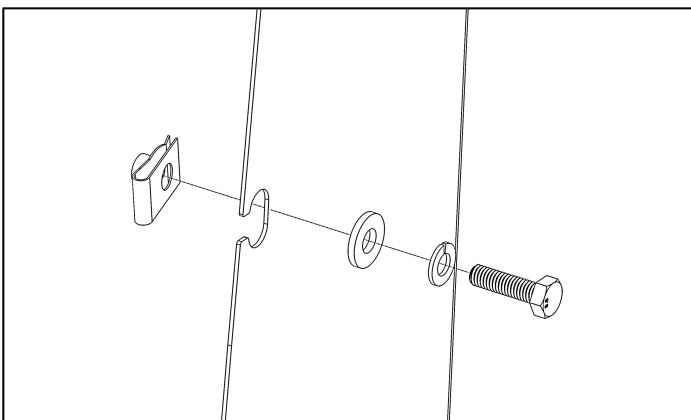


- Place assembled partition into van. Be sure the wing panels are toward the front of the van and the perforated partition side panel in the 40660 is on the passenger side.
- Press the assembled partition with wings firmly against the “B” pillar and the top wing across the roof support of the van.



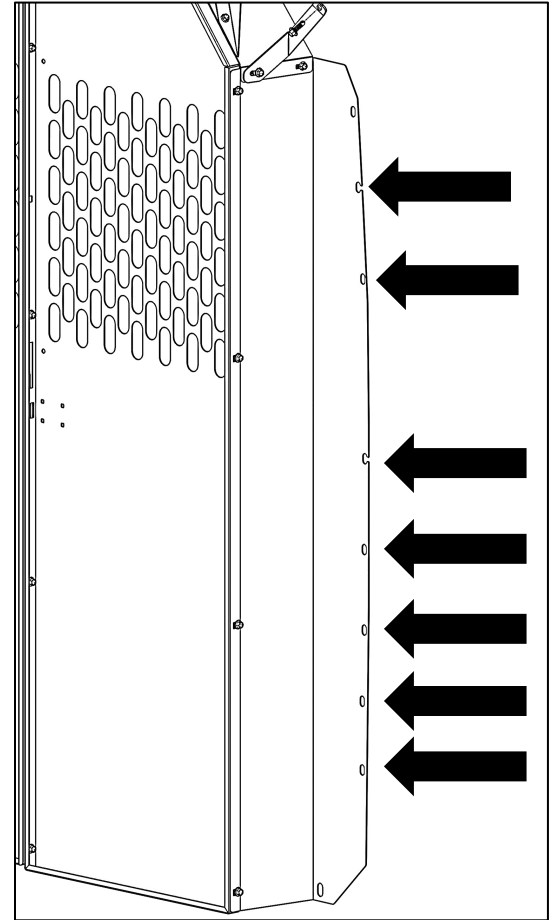
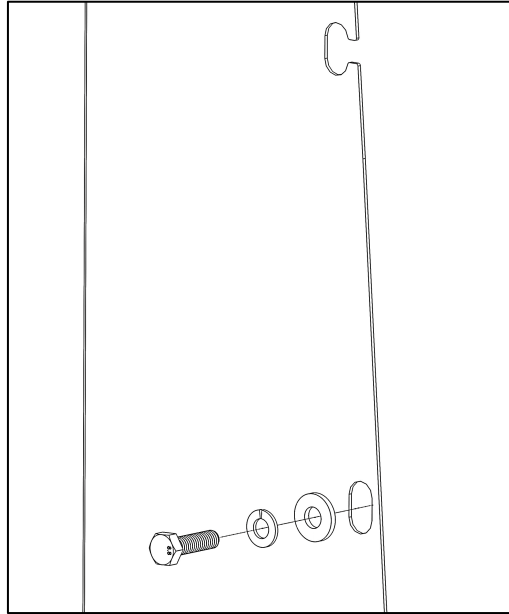
**Always ensure, when installing hardware through any installation surface, the area behind the installation surface is clear of electrical wiring or vehicle safety features.**

- Bolt driver’s side wing to the M6 U-Clips using two M6 x 25mm hex head bolts, two 1/4” lock washers and two 1/4” flat washers.
- Snug tighten but allow for movement.



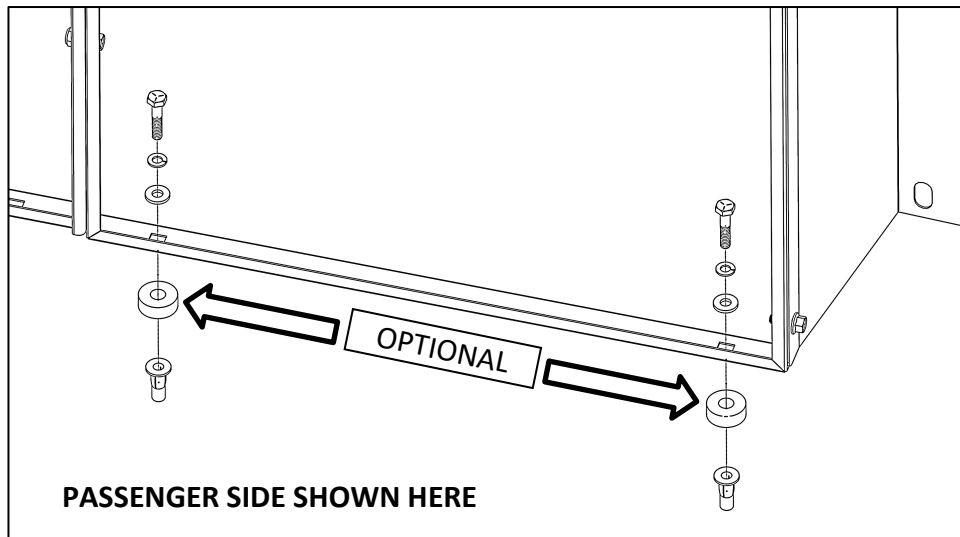
## Step 10 – Install Passenger Wing to “B” Pillar

- Using M6 x 25mm hex heads, 1/4" lock washers, and 1/4" flat washers, bolt passenger side wing to the threaded embosses in the “B” pillar in the following locations, as shown.
- Snug tighten but allow movement.



## Step 11 – Install Partition to Floor

- Using 1/4" x 1-1/4" hex heads, 1/4" lock washers, and 1/4" flat washers, bolt partition into plus nuts. Place 3/8" nylon washer under partition to bridge gaps between partition and floor, if necessary.
- Snug tighten but allow for movement.



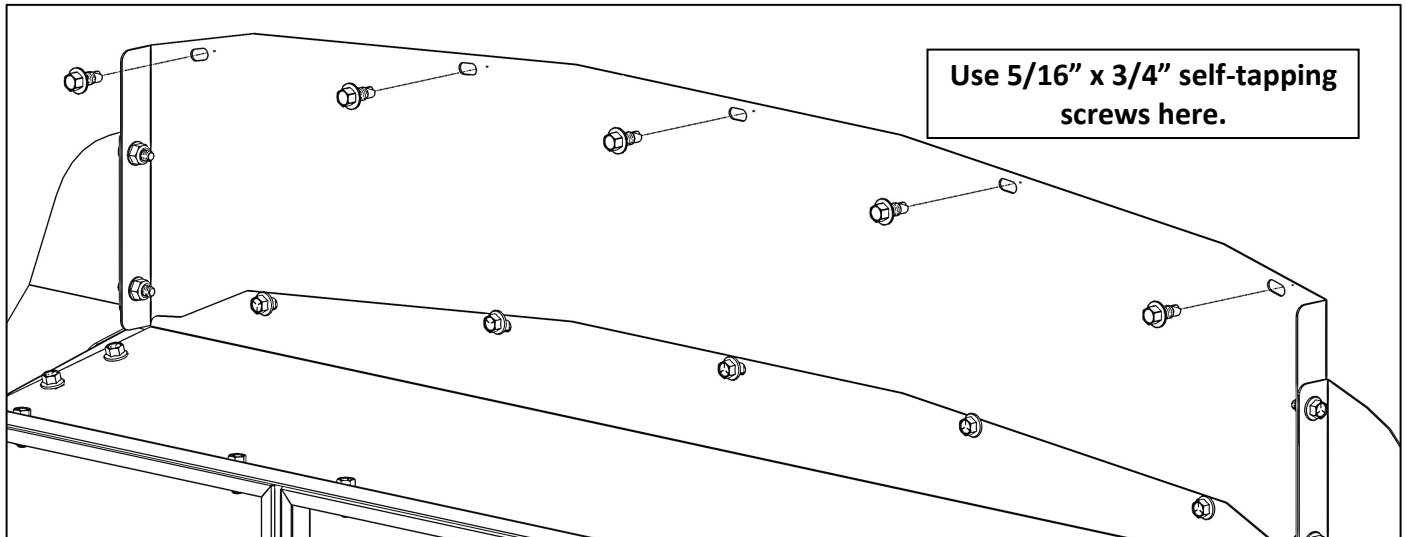


## Step 12 – Install Top Wing to “B” Pillar

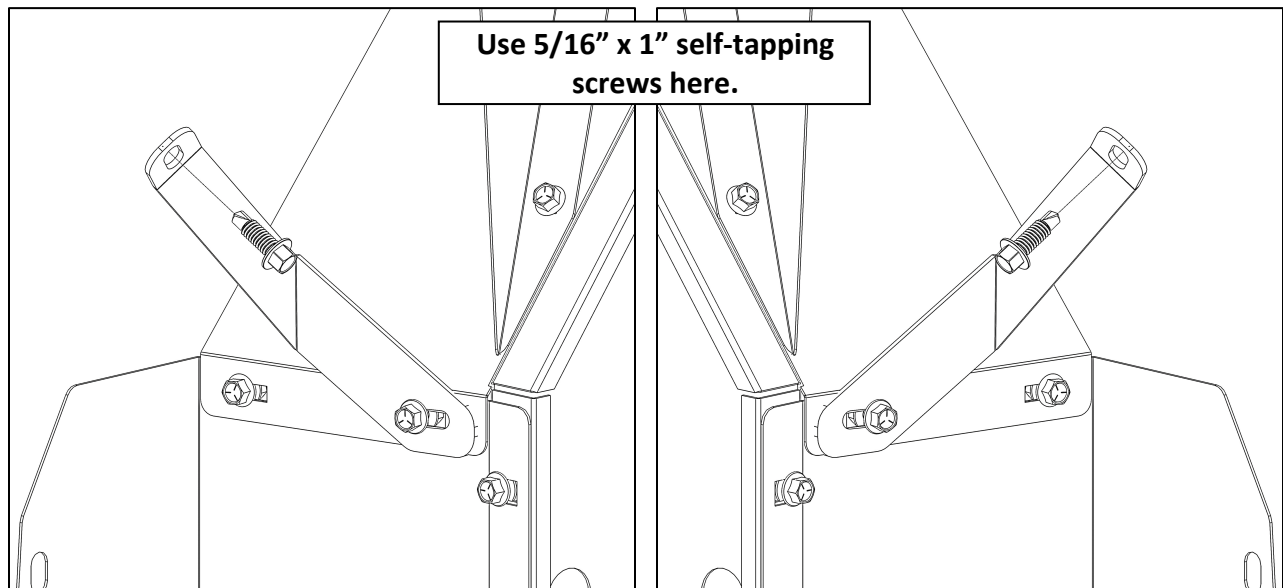


Always ensure, when installing hardware through any installation surface, the area behind the installation surface is clear of fuel tanks or lines, electrical wiring or vehicle safety features.

- Using **5/16" x 3/4"** self-tapping screws, install the top wing to the ceiling roof support.

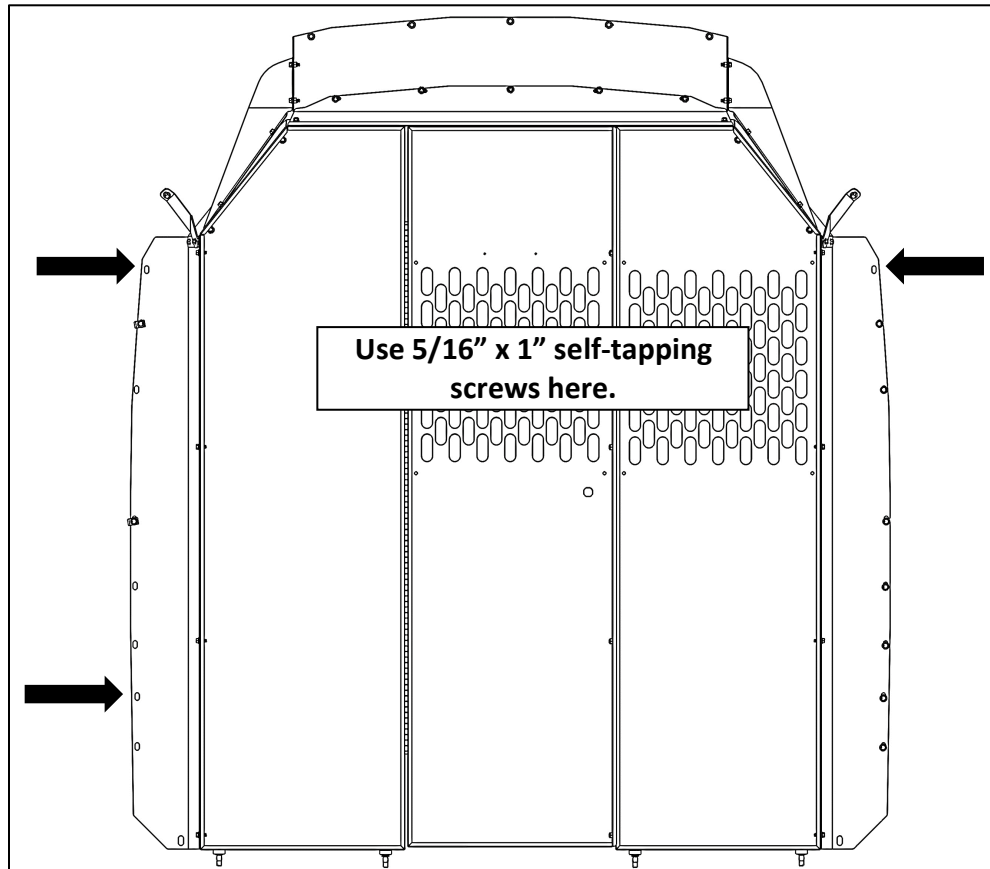


- Using **5/16" x 1"** self tapping screws, install the corner bracket to the “B” pillar as shown.
- Repeat on opposite side



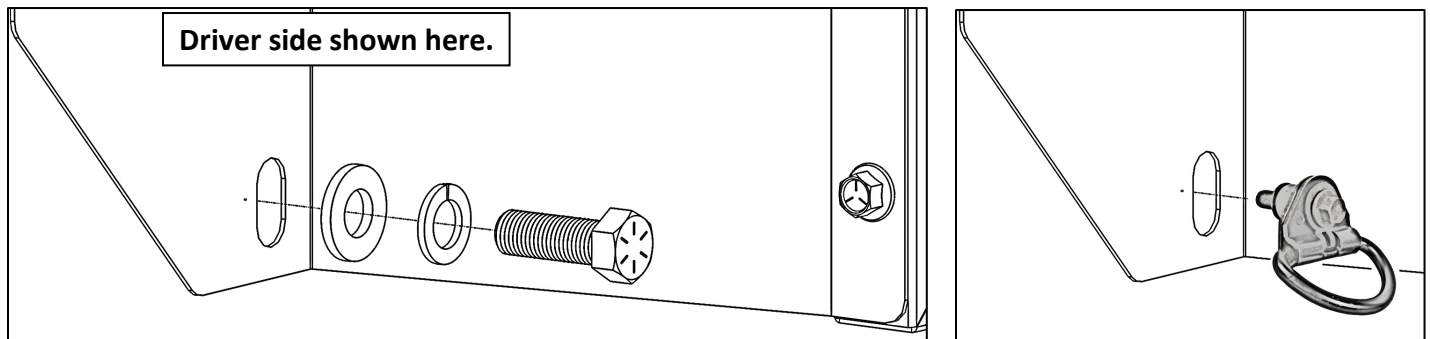


- Use **5/16" x 1"** self tapping screws, secure the remaining three locations along the wings to each "B" Pillar.



### **Step 13 – Install Wings to D-ring Holes**

- If factory D-rings were factory installed and previously removed from "B" pillar, re-install D-rings through slots provided in both passenger-side and driver-side wings.
- If factory D-rings were not provided by the vehicle manufacturer, install a 7/16" x 1-1/4" hex head bolt, 7/16" lock washer, and 7/16" flat washer through the slots in the bottom of driver side and passenger side wings.



**GO BACK AND ENSURE ALL HARDWARE IS TIGHTENED.**

**ASSEMBLY IS COMPLETE**