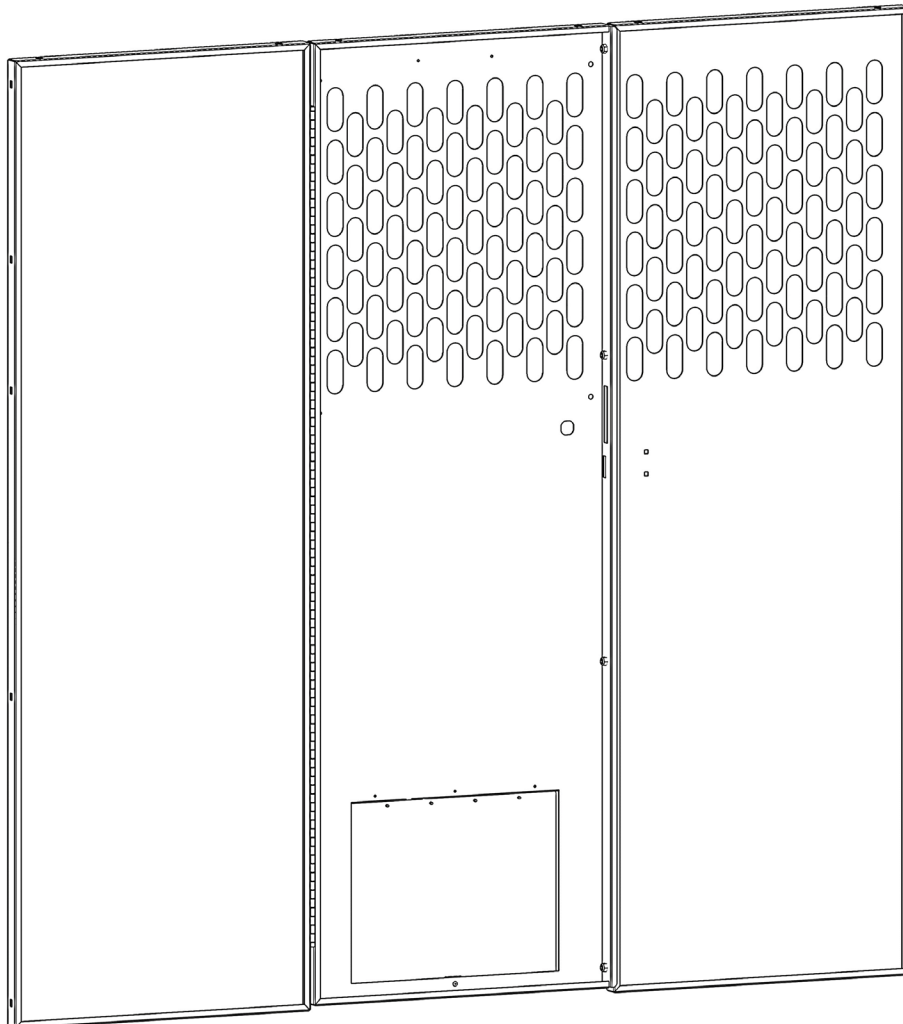


Holman

Assembly Guide 40655



Holman
Rancho Cordova, CA 95742
800-343-7486
InstallationSupport@holman.com

PLEASE READ ALL INSTRUCTIONS AND WARNINGS PRIOR TO ASSEMBLING, INSTALLING, AND USING THIS PRODUCT.

Warning



Always check for wires, fuel tanks and lines, brake lines and other important vehicle functionality items prior to drilling and installing all products.

Tools Needed

3/8" Socket and Wrench	7/16" Socket and Wrench
------------------------	-------------------------

Table of Contents

Before You Begin 1

Parts List 1

Step 1 – Bolt Together..... 3

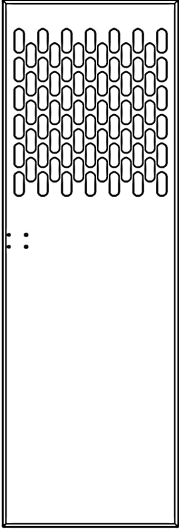
Before You Begin

- Read all instructions prior to assembling or installing any Kargo Master product.
- Always locate your installation locations prior to performing any work.
- Be sure to have the wing kit for your van application available.

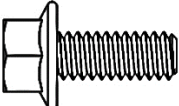

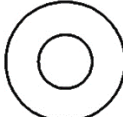
Parts List

ITEM NO.	ITEM	PART NUMBER	DESCRIPTION	QTY.
1		40655-10	PARTITION DOOR ASSEMBLY	1

Parts List (Continued)

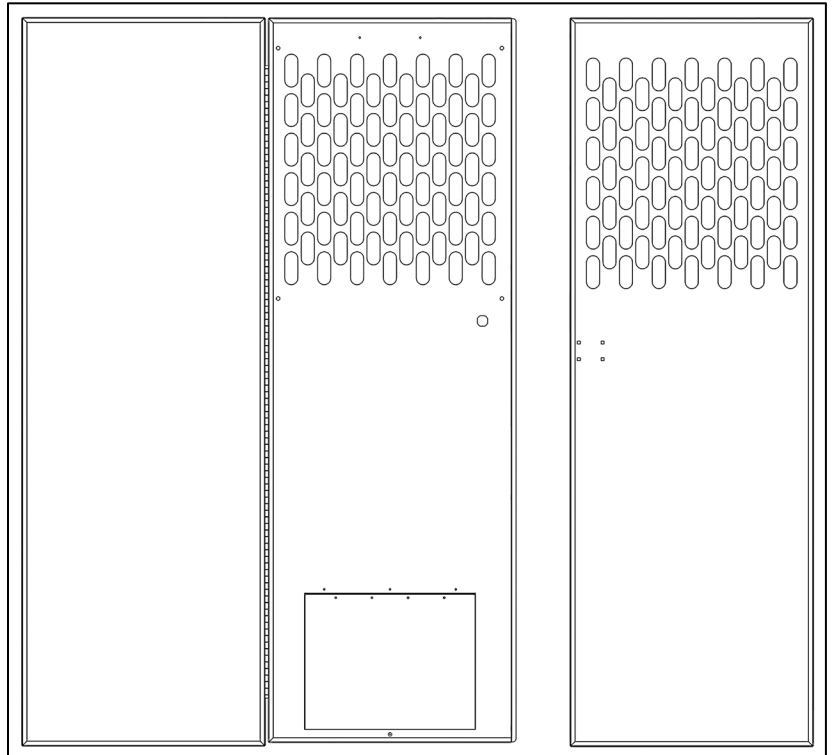
ITEM NO.	ITEM	PART NUMBER	DESCRIPTION	QTY.
2		40651-00-001	PARTITION SIDE PANEL	1
3		18-40600	ASSEMBLY HARDWARE KIT	1

Hardware

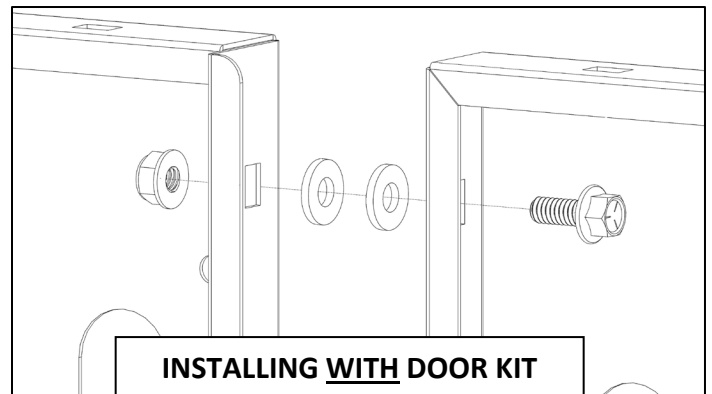
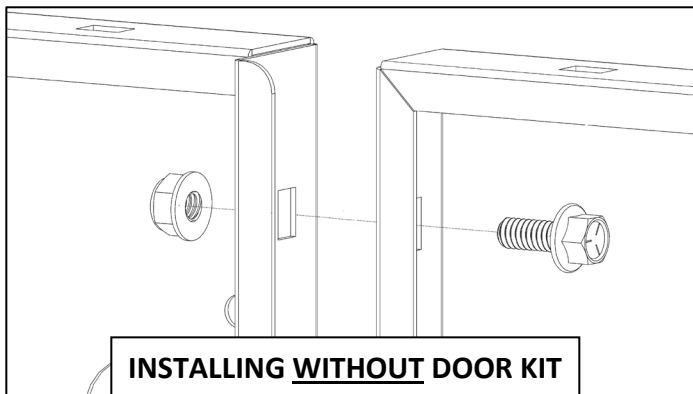
ITEM	HARDWARE TO SCALE	PART NUMBER	DESCRIPTION	QTY.
1		11106180	1/4"-20 X 5/8" FLANGED HEX HEAD	4
2			1/4"-20 FLANGED NYLON INSERT NUT	4
3		11541082	1/4" FLAT WASHER	8

Step 1 – Bolt Together

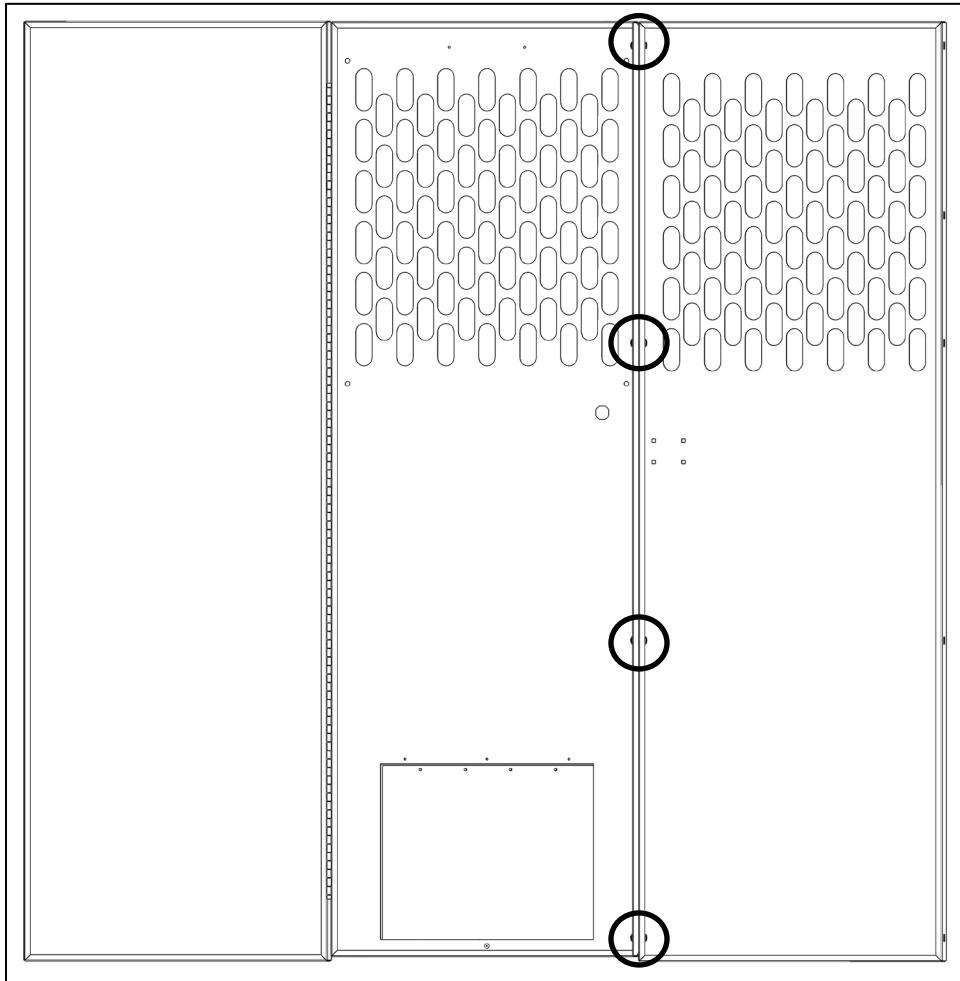
- Place both partition panels flat on the ground or table. Be sure to have the flanges facing upward so you can access the bolt holes.



- Using a 1/4" x 5/8" flanged hex bolt and a 1/4" flanged lock nut, bolt the side panel to the door panel.
- If installing the Center Panel Latch & Door Lock Kit (40620), be sure to put two flat washers in between the two panels. This is used to get correct spacing.
- If no door kit is being used, the washers between panels are not needed.



- Repeat three more times in the locations as shown below. Be sure to insert the washers between the panels if installing the door kit.
- Snug tighten hardware to allow movement until partition is installed into vehicle.



Follow instructions of desired wing kit to install into vehicle.