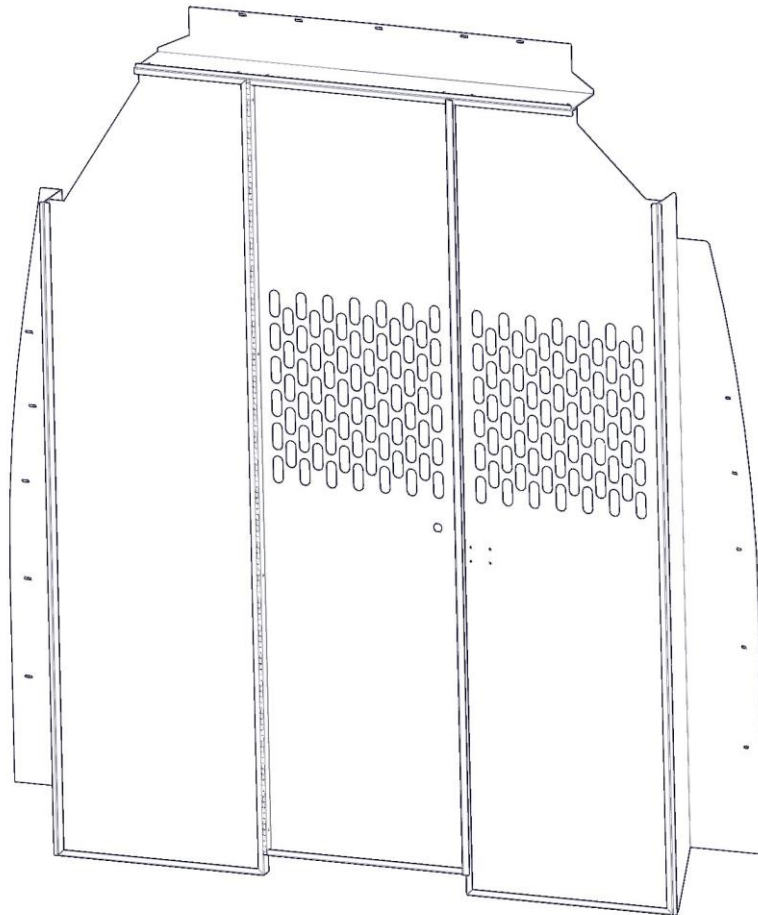




WE PUT EVERYTHING WITHIN REACH.

Installation Guide

4061S



Kargo Master
Rancho Cordova, CA 95742
800-343-7486
CustomerService@KargoMaster.com

DATE: _____

***PLEASE READ ALL INSTRUCTIONS AND WARNINGS PRIOR TO ASSEMBLING,
INSTALLING, AND USING THIS PRODUCT***

Warning



Always check for wires, fuel tanks and lines, brake lines and other important vehicle functionality items prior to drilling and installing all products.

Tools Needed

3/8" Wrench and Socket	7/16" Wrench and Socket
5/16" Wrench and Socket	1/4" Drill
25/64" Drill	

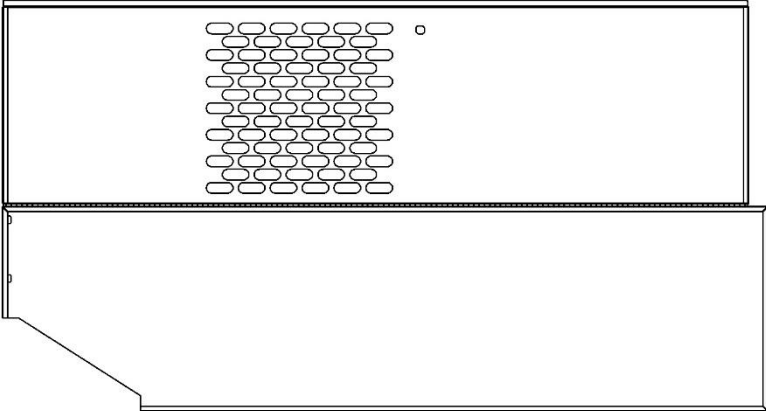
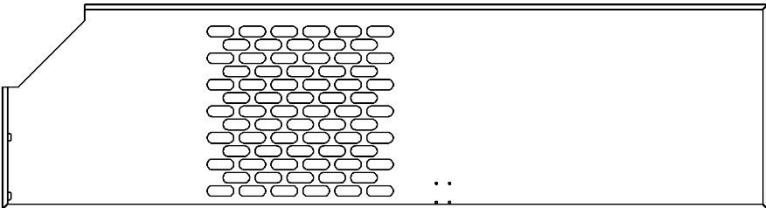
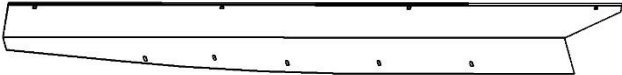

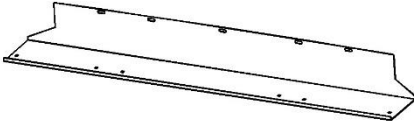
Table of Contents

Parts List	2
Hardware List	3
Step 1 Bolt Partition Together	4
Step 2 Bolt Wings to Partition	5
Step 3 Install into Van	6-7

Before You Begin

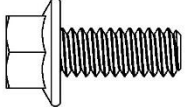
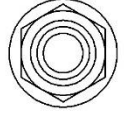

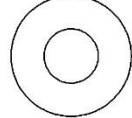
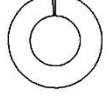
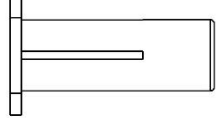
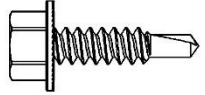
- Read all instructions.
- ENSURE SAFETY BEFORE INSTALLING PLUS NUTS OR SELF TAPPING SCREWS.
- Assembly of the partition with wings may need to be done inside of van.

Parts

ITEM NO.		PART NUMBER	DESCRIPTION	QTY.
A		4061S-10	Pass Through Assembly	1
B		4061S-00-001	PS Panel	1
C		4061S-00-002	DS Wing	1
D		4061S-00-003	PS Wing	1
E		4061S-00-004	Top Wing	1

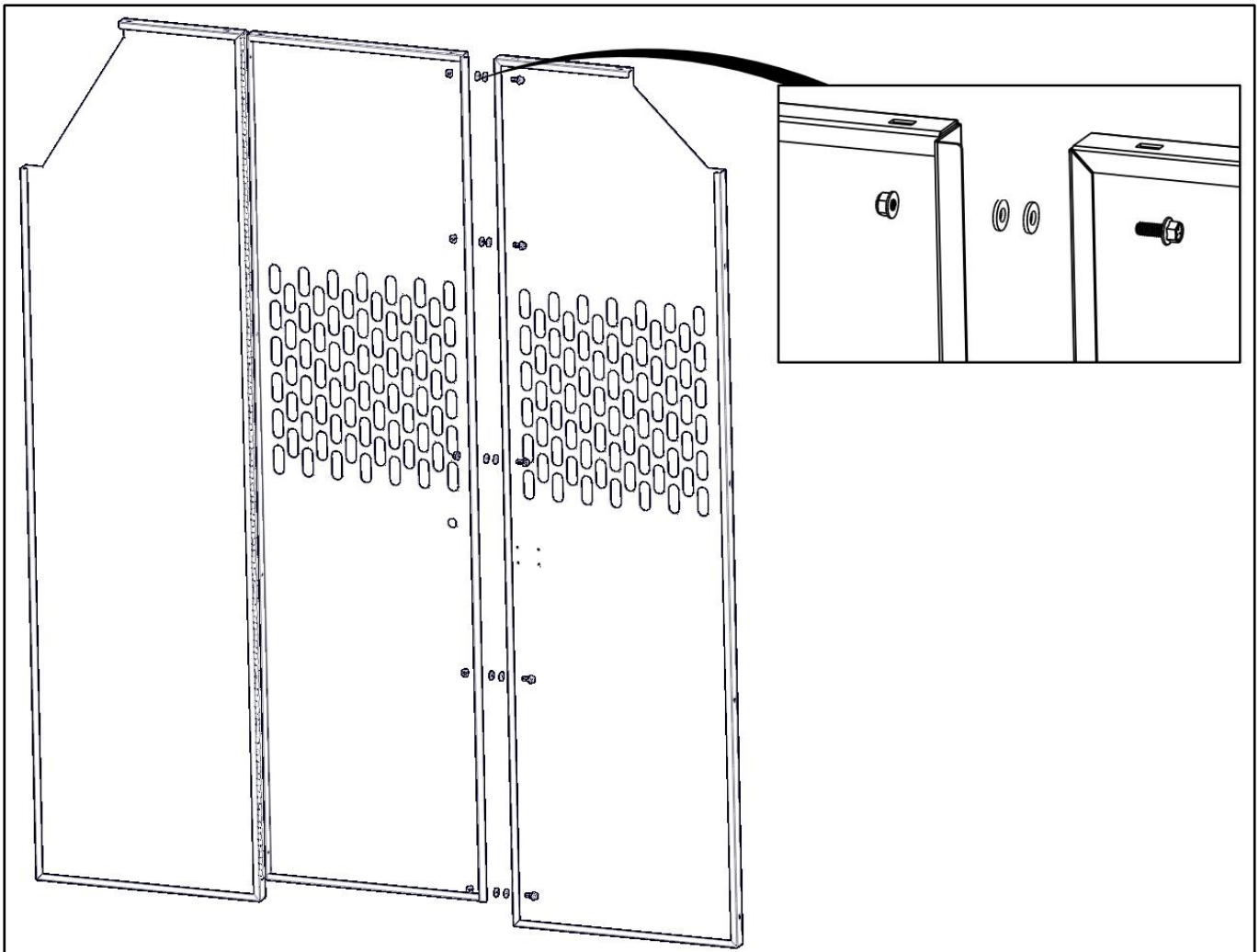
Driver side wing is cut square across the top

Hardware

ITEM NO.	TO SCALE	PART NUMBER	DESCRIPTION	QTY.
1		92979A114	.25-20 x .625 Flange HH	19
2		93298A110	.25-20 Flanged Nyloc	23
3		92865A544	.25-20 x 1.25 HH	4
4		90126A029	.25 Flat Washer	14
5		91102A750	.25 Split Lock Washer	4
6		.25-20 Plus Nut	.25-20 Plus Nut	4
7		10-16x3/4 Self Tapping	10-16x.75 Self Tapping	15

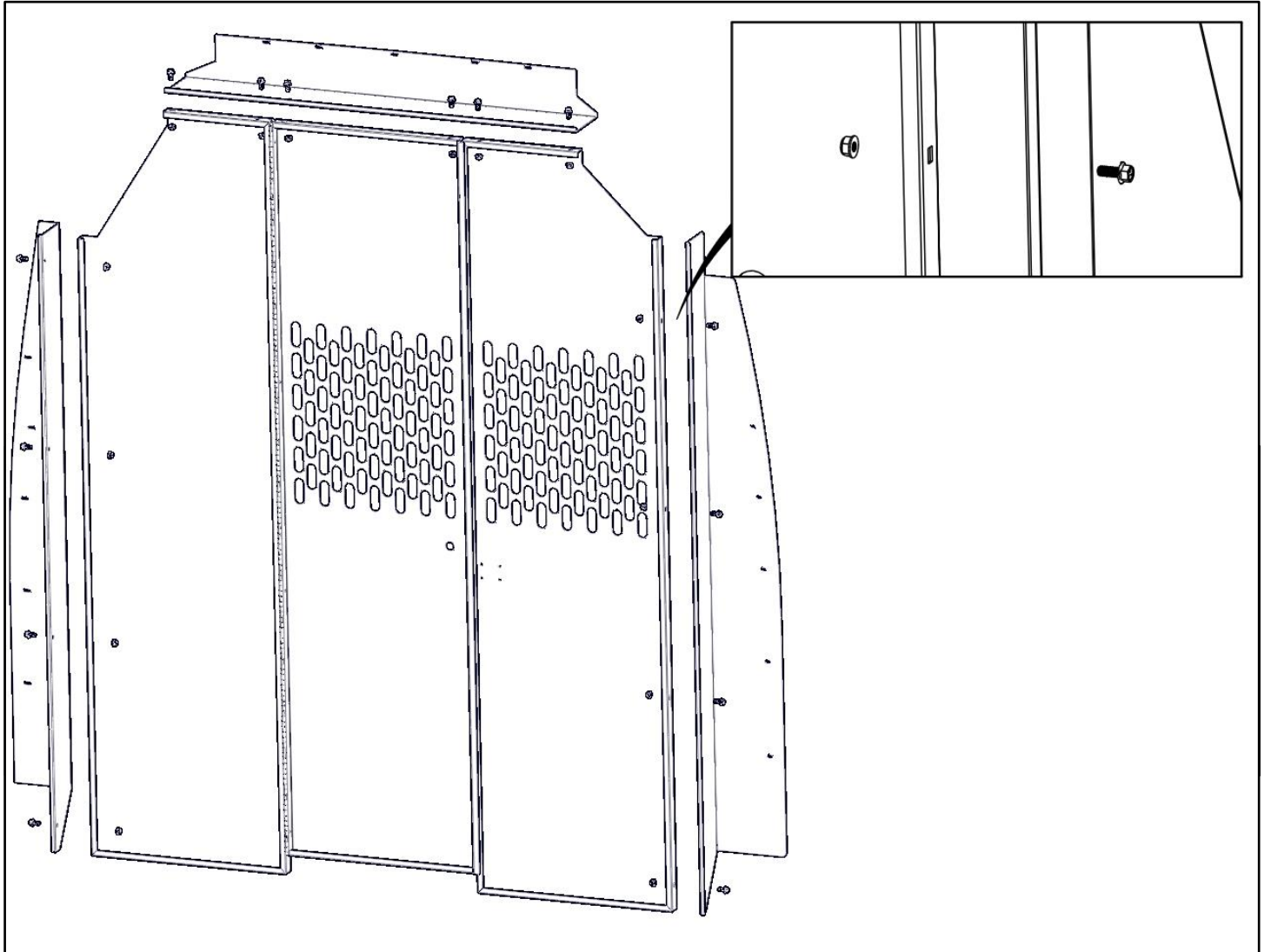
Step 1 – Bolt Partition together

- Bolt the pass through assembly (A) to passenger side panel (B) using 1/4" x .625 flanged hex bolts (1) and 1/4" flanged nyloc nuts (2).
- If using the pass through door, place two 1/4" flat washers (4) at each bolt in between the two panels. This will set a clearance. At the end of the installation, remove bolts, washers and nuts from this step.
- Snug Tighten, but allow movement.



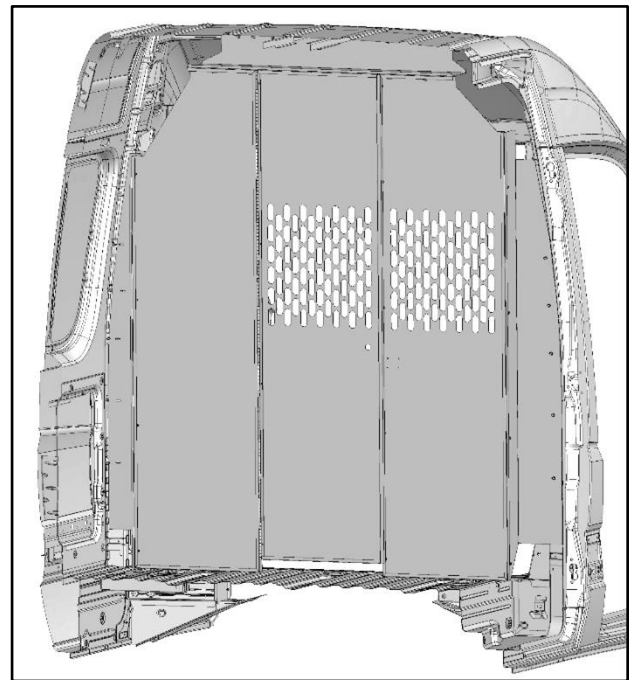
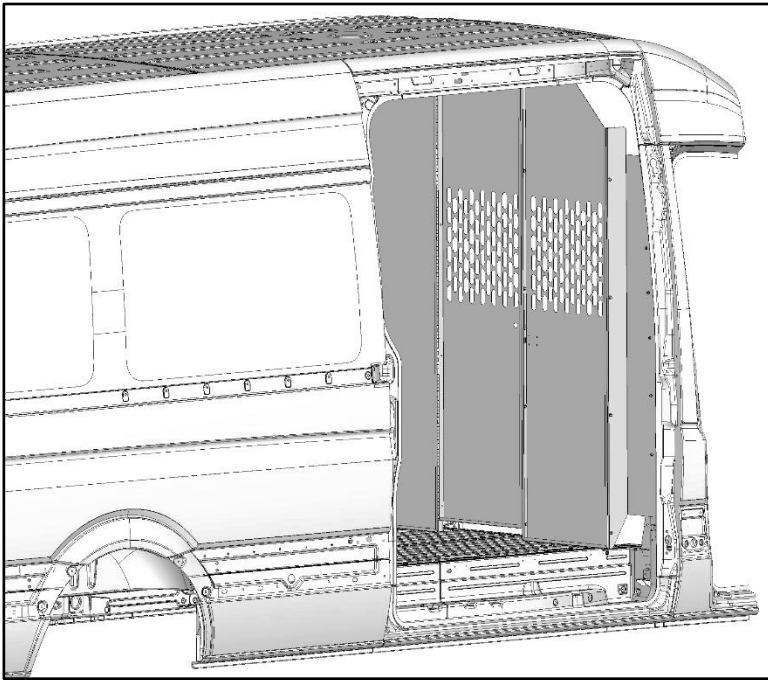
Step 2 – Bolt Wings to Partition

- Place driver side wing (C), passenger side wing (D) and top wing (E) in orientation shown with reference to the partition.
- Bolt together using a 1/4"-20 x .625" flanged HH (1) and a 1/4"-20 flanged nyloc nut (2).
- Snug Tighten, but allow movement

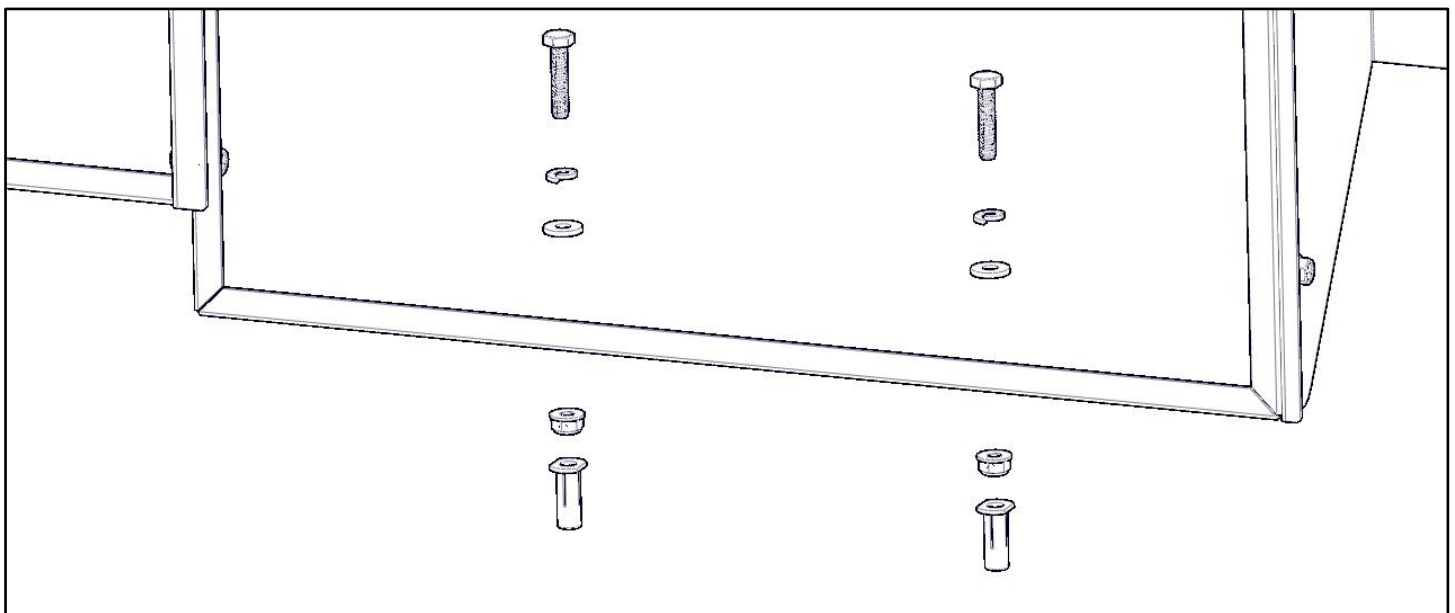


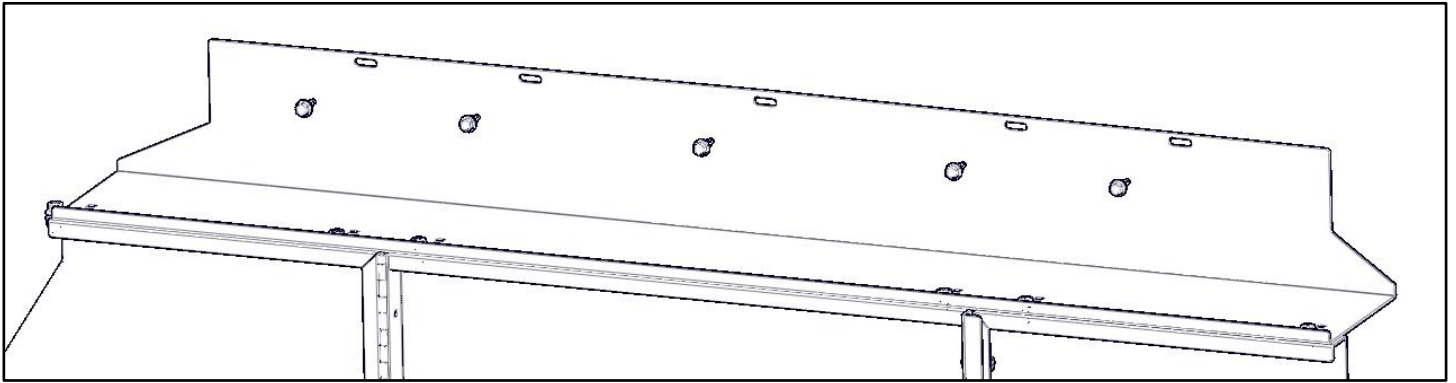
Step 3 – Install Into Van

- Place partition assembly with wings firm against the “B” pillar.

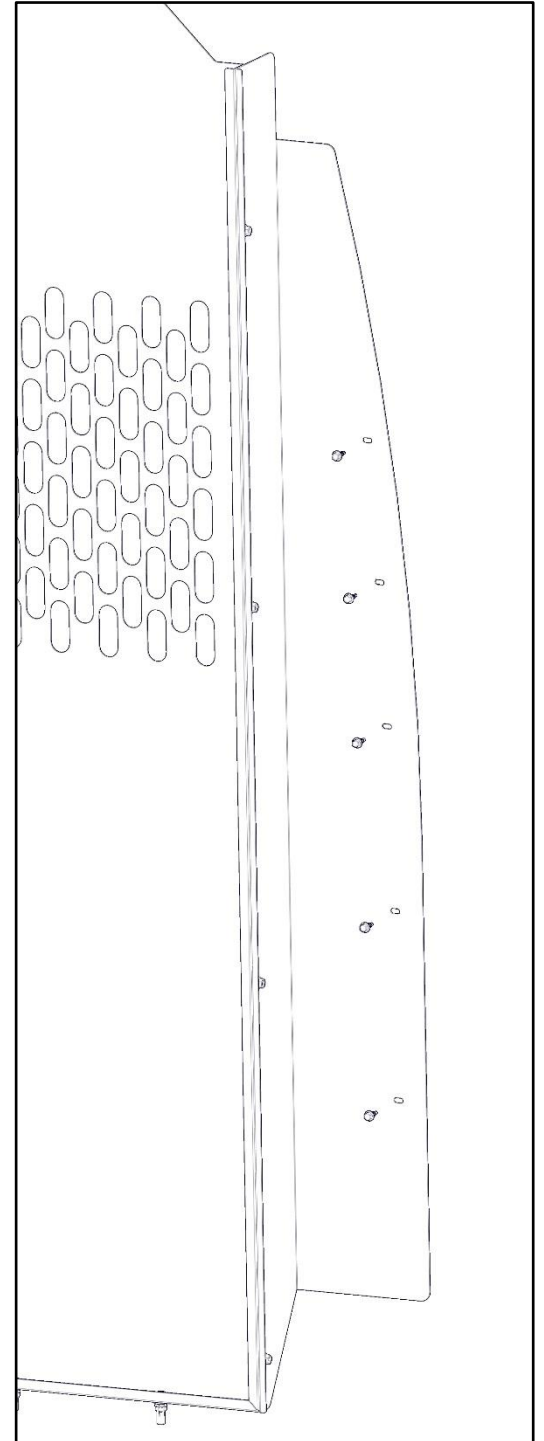
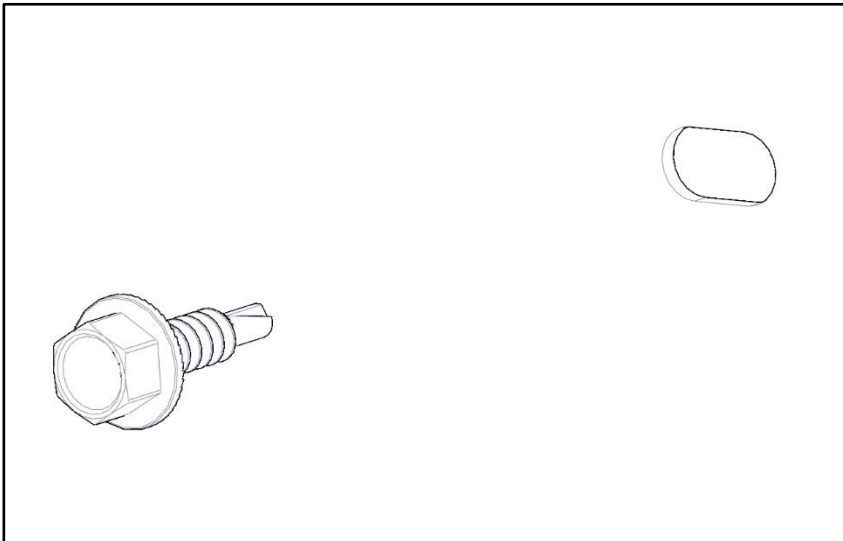


- Two options when mounting into the floor,
 1. Bolt through the floor.
 2. Bolt into plusnut in floor.
- Mark slots in the bottom of the partition panels onto the floor. Determine which 4 locations are best for installing. Remove partition, Drill in selected positions. (ensure safety).
- Use a 25/64" drill if installing a plusnut, use a 1/4" drill if bolting through the floor.
- Either install plusnuts or choose to bolt through the floor.





- Mount side wings to “B” pillars and top wing to cross support across the roof using a #10 x 3/4” self tapping screw. (ensure safety prior to installing self tap screws)
- Tighten



GO BACK AND TIGHTEN ALL BOLTS
YOUR INSTALLATION IS NOW
COMPLETE