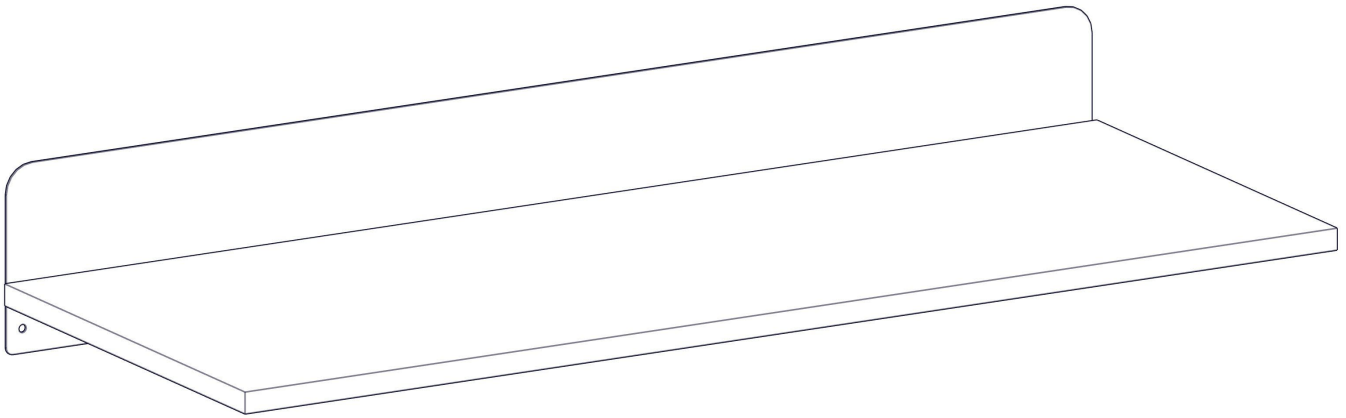

Holman

Instruction Guide

40542



Holman
Rancho Cordova, CA 95742
800-343-7486
InstallationSupport@holman.com

***PLEASE READ ALL INSTRUCTIONS AND WARNINGS PRIOR TO ASSEMBLING,
INSTALLING, AND USING THIS PRODUCT***

Warning



Always check for wires, fuel tanks and lines, brake lines and other important vehicle functionality items prior to drilling and installing all products.

Tools Needed

| |
|-----------------|
| Phillips Driver |
|-----------------|

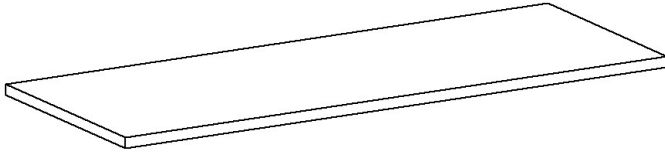
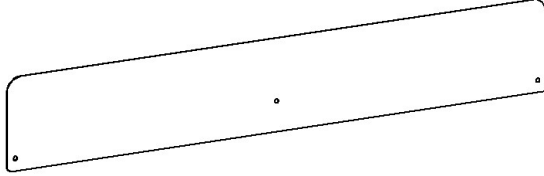
Table of Contents

| | |
|------------------------------------|---|
| Parts List | 2 |
| Hardware | 2 |
| Step 1 – Assemble Shelf | 3 |
| Step 2 – Prepare Shelf Unit | 3 |
| Step 3 – Install Back Splash | 4 |
| Step 4 – Install Bench Top | 5 |


Before You Begin

- Read all instructions.
 - Be sure to have a shelf unit to attach bench kit to.
 - The images in the instructions are shown using a 32” wide shelf. The instructions are the same in this application.
-

Parts

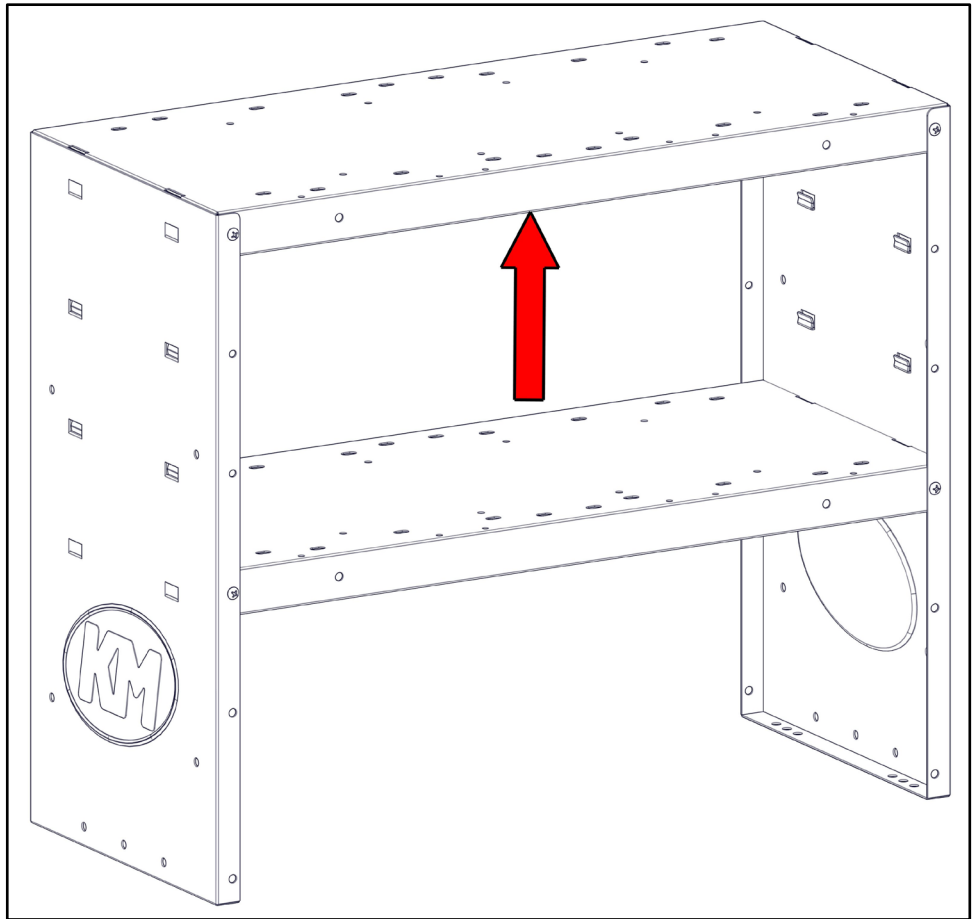
| ITEM NO. | | PART NUMBER | DESCRIPTION | QTY. |
|----------|---|--------------|-------------------|------|
| A |  | 100572 | BENCH TOP - 42" | 1 |
| B |  | 48420-00-001 | BACK SPLASH - 42" | 1 |
| | | 18-40552 | HARDWARE | 1 |

Hardware

| ITEM NO. | TO SCALE | PART NUMBER | DESCRIPTION | QTY. |
|----------|---|-------------|-------------------------------------|------|
| 1 |  | 90398A244 | No.10 x 5/8" Round Head Screw | 5 |

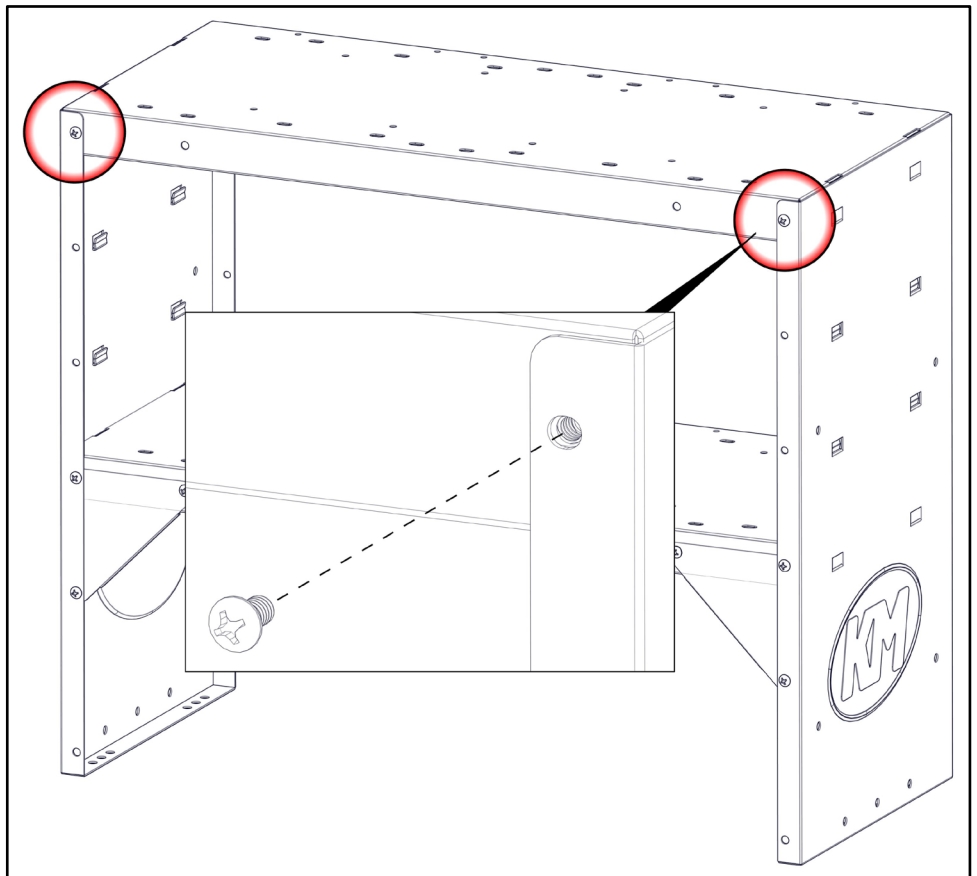
Step 1 – Assemble Shelf

- Have desired shelf unit built. Be sure the top shelf is on the highest notch and oriented with shelf lip down as shown.



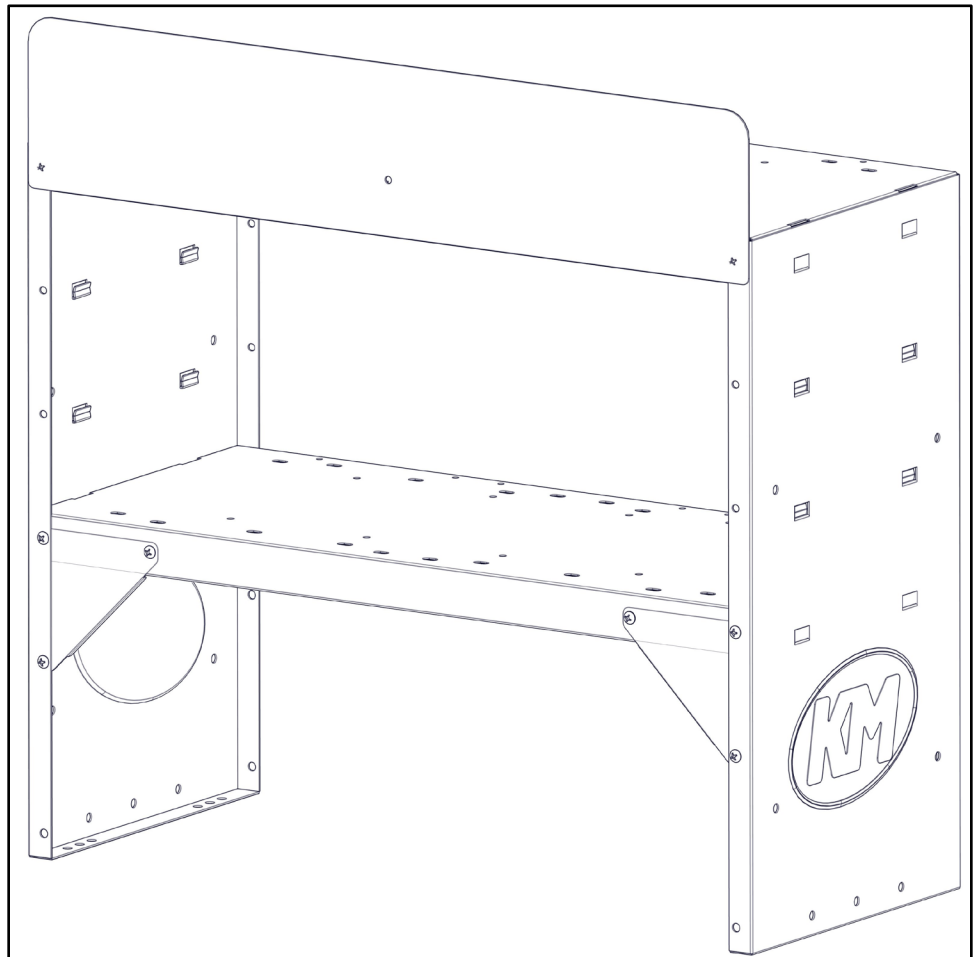
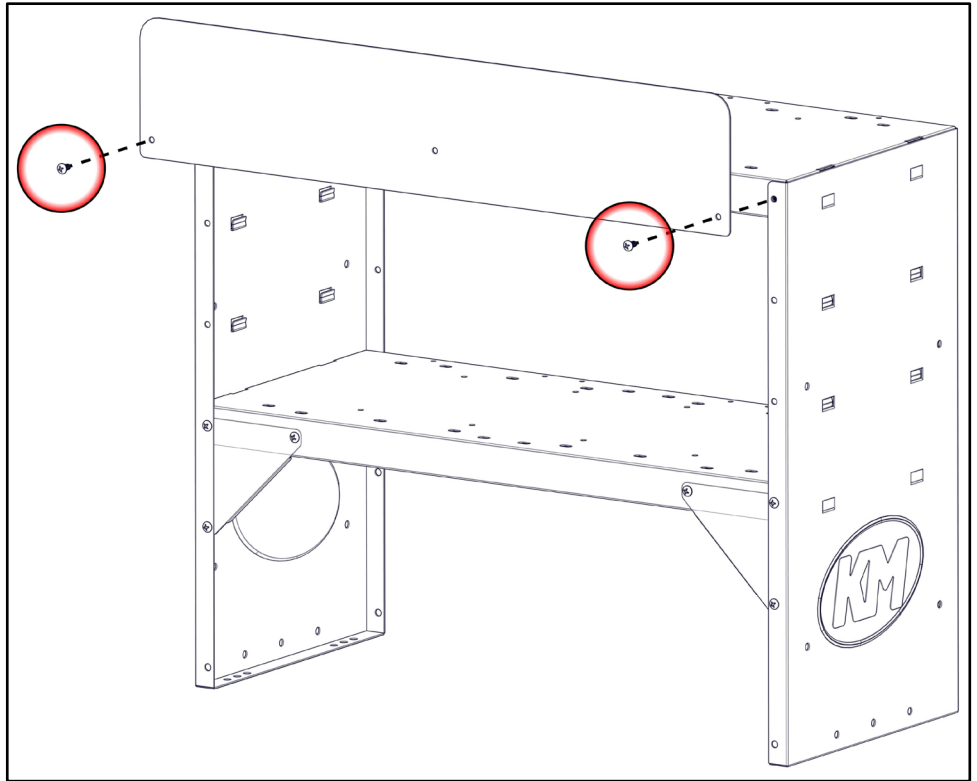
Step 2 – Prepare Shelf Unit

- Access rear of shelf unit. Rear of shelf unit has gussets installed on the bottom shelf.
- Remove upper screws attaching top shelf to side panels as shown.



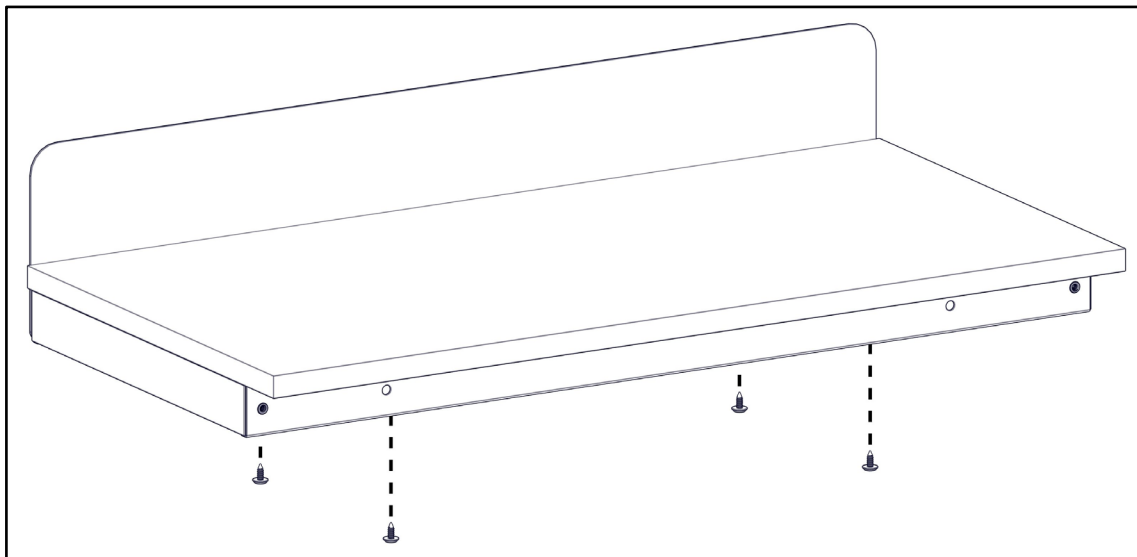
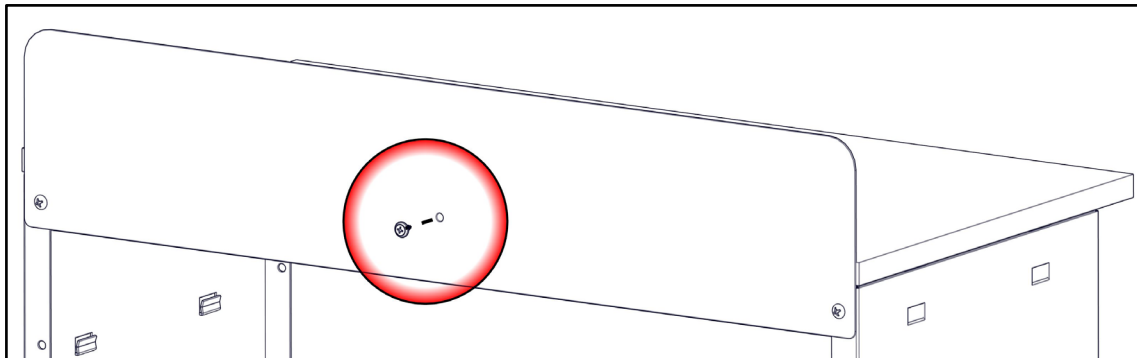
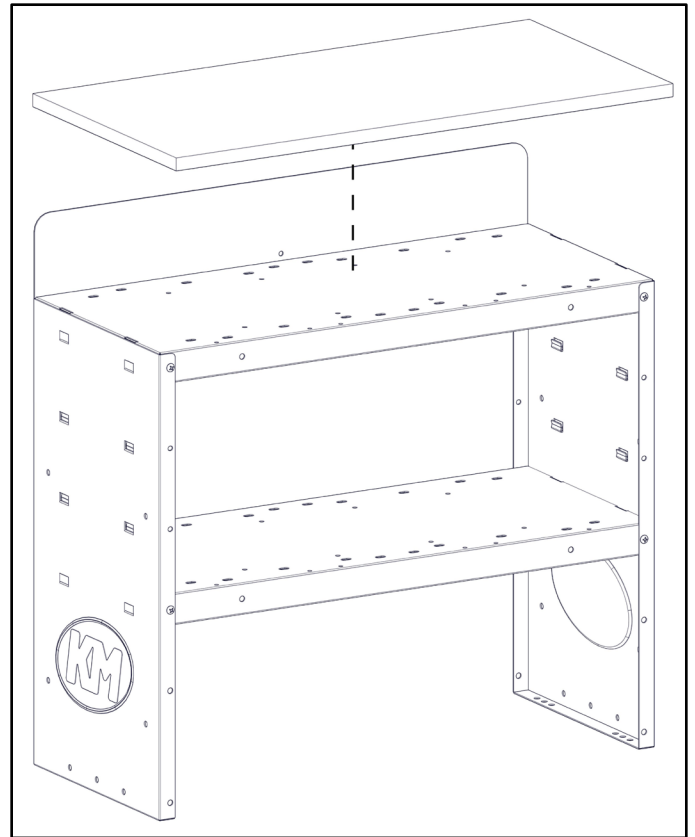
Step 3 – Install Back Splash

- Place back splash over previously removed screws.
- Re-install screws leaving the middle hole in back splash vacant.
- Snug Tighten.



Step 4 – Install Bench Top

- Place bench top on top of shelf as shown. Align bench top to desired location.
- Screw bench top to back splash using a No.10 screw.
- On bottom side of shelf, find four appropriate mounting holes. Screw through these holes into bottom side of bench top using No.10 screws.
- Tighten all screws.



****Only top shelf is shown above for simplicity****

GO BACK AND ENSURE ALL HARDWARE IS TIGHT

Installation is now complete

