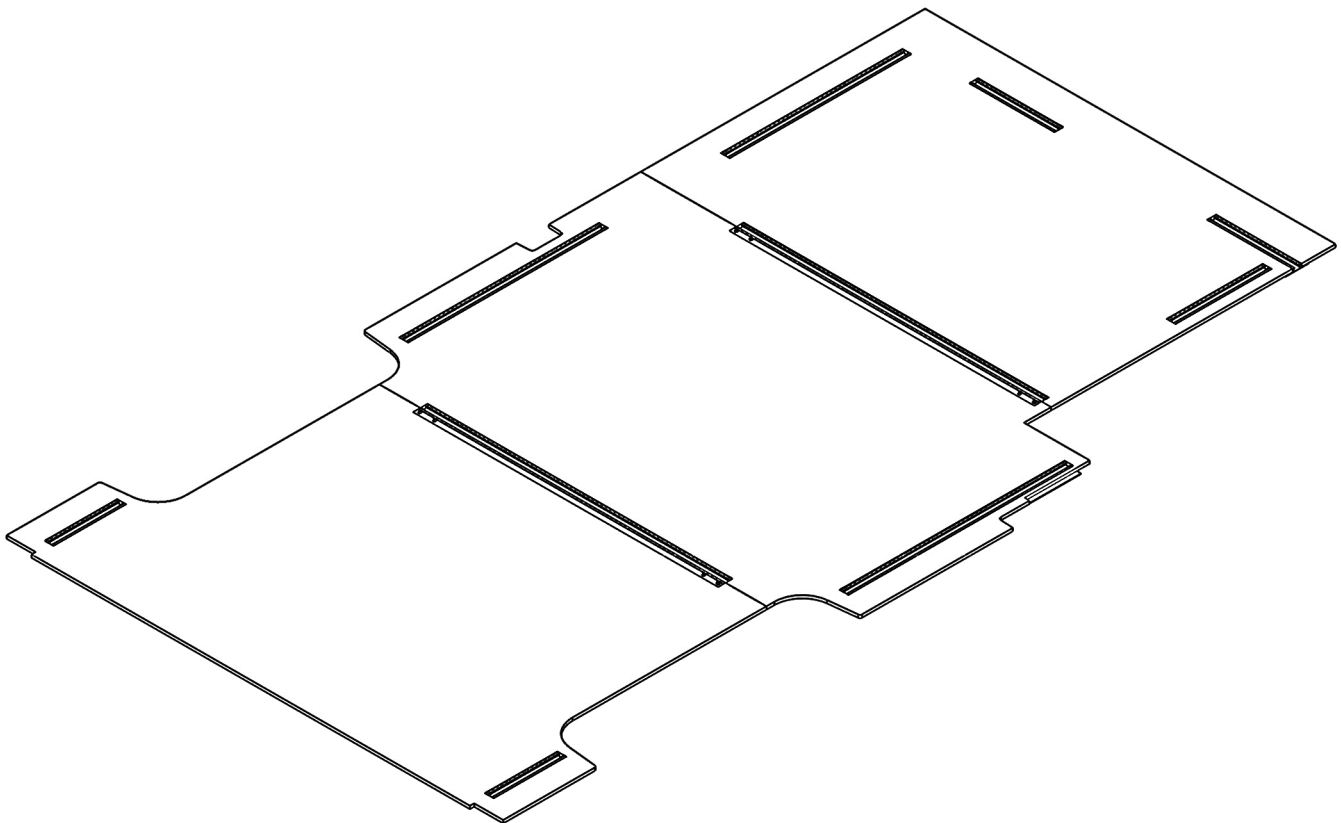


Holman

Instruction Guide

40475TE, 40475TL, 40475TR



Holman
Rancho Cordova, CA 95742
800-343-7486
InstallationSupport@holman.com

*** PLEASE READ ALL INSTRUCTIONS AND WARNINGS PRIOR TO ASSEMBLING, INSTALLING, AND USING THIS PRODUCT. ***

Warning



ELECTRIC SHOCK HAZARD: DO NOT DRILL INTO OR PENETRATE FLOOR.



Always check for wires, fuel tanks and lines, brake lines and other important vehicle functionality items prior to drilling and installing all products.



DO NOT USE IMPACT DRIVER TO INSTALL HARDWARE INTO FLOORING MATERIAL. SET DRILL DRIVER TO LOWEST SETTING AND INCREASE TORQUE ONLY AS NEEDED.

Tools Needed

| | |
|--------------------------------------|----------------------------|
| 1/2", 5/8" Sockets and Socket Wrench | 5/32" Allen Hex Key Wrench |
| #2 Phillips Screwdriver | |

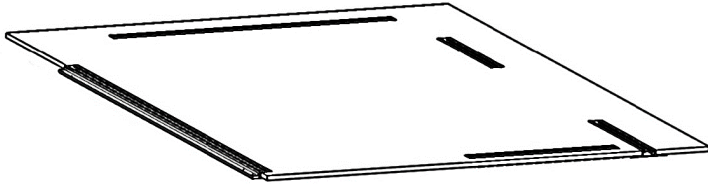
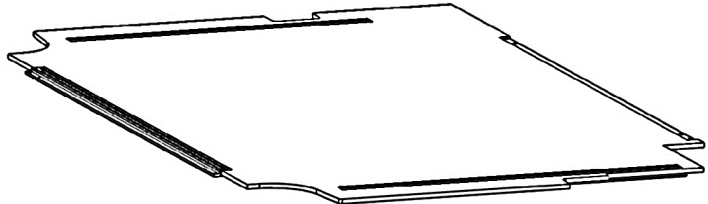
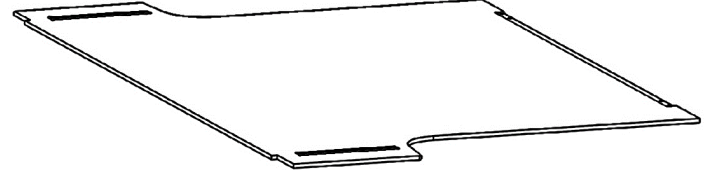
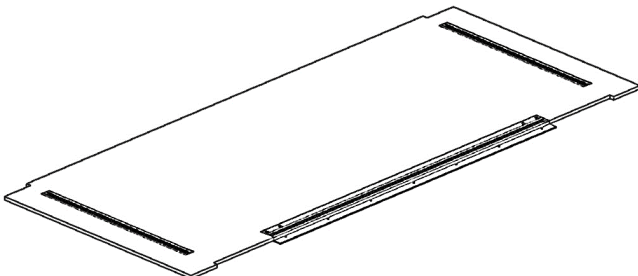

Table of Contents

| | |
|---|---|
| Before You Begin..... | 1 |
| 40475TL, 40475TR, and 40475TE Parts List | 2 |
| 18-KM0251 Floor Hardware Kit (ALL FLOOR KITS) | 3 |
| 18-KM0255 Floor Extension Hardware Kit (40475TE ONLY) | 3 |
| Step 1 – Position Floor | 4 |
| Step 2 – Assemble 40475TE Extension | 4 |
| Step 3 – Install Rubber Trim..... | 5 |
| Step 4 – Connect Floor Panels | 5 |
| Step 5 – Attach Floor Brackets..... | 6 |
| Attaching Shelving to Floor | 7 |
| Attaching Partition to Floor | 7 |
| Attaching Accessories to Floor..... | 7 |

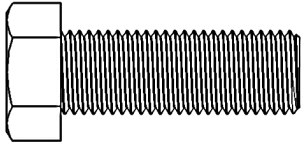
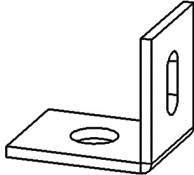

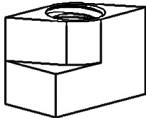
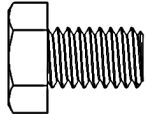

Before You Begin

- Read all instructions prior to assembling or installing product.
- **Always locate your installation locations prior to performing any work.**
- **ENSURE SAFETY WHILE INSTALLING OR DRILLING INTO VEHICLE.**

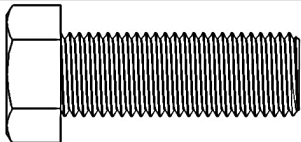
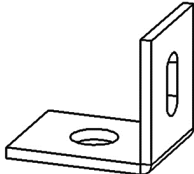

40475TL, 40475TR, and 40475TE Parts List

| NO. | ITEM | PART NUMBER | DESCRIPTION | QTY. |
|-----|---|--|---------------------------------|------|
| 1 |  | 40475TL: KM0248 40475TR: KM0170 40475TE: KM0248 | FRONT FLOOR PANEL | 1 |
| 2 |  | 40475TL: KM0249 40475TR: KM0172 40475TE: KM0249 | MIDDLE FLOOR PANEL | 1 |
| 3 |  | 40475TL: KM0250 40475TR: KM0171 40475TE: KM0250 | REAR FLOOR PANEL | 1 |
| 4 |  | 40475TE ONLY: KM0271 | EXTENSION FLOOR PANEL | 1 |
| 5 |  | ALL KITS: | RUBBER TRIM KIT | 1 |
| 6 | | ALL KITS: 18-KM0251 | 3-PANEL FLOOR HARDWARE KIT | 1 |
| 7 | | 40475TE ONLY: 18-KM0255 | FLOOR EXTENSION HARDWARE KIT | 1 |

18-KM0251 Floor Hardware Kit (ALL FLOOR KITS)

| ITEM | HARDWARE TO SCALE | PART NUMBER | DESCRIPTION | QTY. |
|------|---|-------------|--|------|
| 1 |  | 17157 | 7/16"-20 X 1-1/4" HEX HEAD BOLT | 4 |
| 2 |  | KM02642 | FLOORING MOUNTING BRACKET | 4 |
| 3 |  | 71799 | #10 PHILLIPS ROUNDED HEAD SHEET METAL SCREW | 10 |
| 4 |  | | 5/16"-18 FULLY THREADED DROP-IN T-SLOT NUT | 8 |
| 5 |  | 11241162 | 1/4"-20 X 1/2" HEX HEAD BOLT | 8 |
| 6 |  | 94209 | 10-32 X 1/2" HEX DRIVE FLAT HEAD SCREW | 8 |

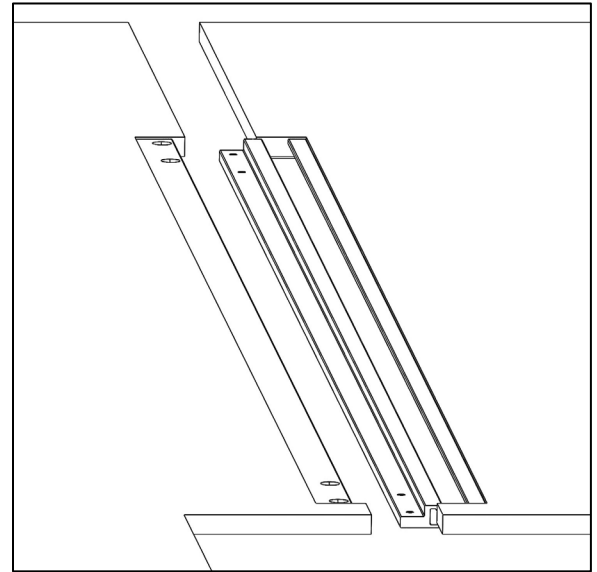
18-KM0255 Floor Extension Hardware Kit (40475TE ONLY)

| ITEM | HARDWARE TO SCALE | PART NUMBER | DESCRIPTION | QTY. |
|------|---|-------------|--|------|
| 1 |  | 17157 | 7/16"-20 X 1-1/4" HEX HEAD BOLT | 2 |
| 2 |  | KM02642 | FLOORING MOUNTING BRACKET | 2 |
| 3 |  | 71799 | #10 PHILLIPS ROUNDED HEAD SHEET METAL SCREW | 9 |

Step 1 – Position Floor

Floor must be assembled in vehicle.

- Set front panel in position.
- Set middle panel in position with aluminum overlapping joint on top of front panel joint receiver.
- Set rear panel in position with aluminum overlapping joint on top of middle panel joint receiver.



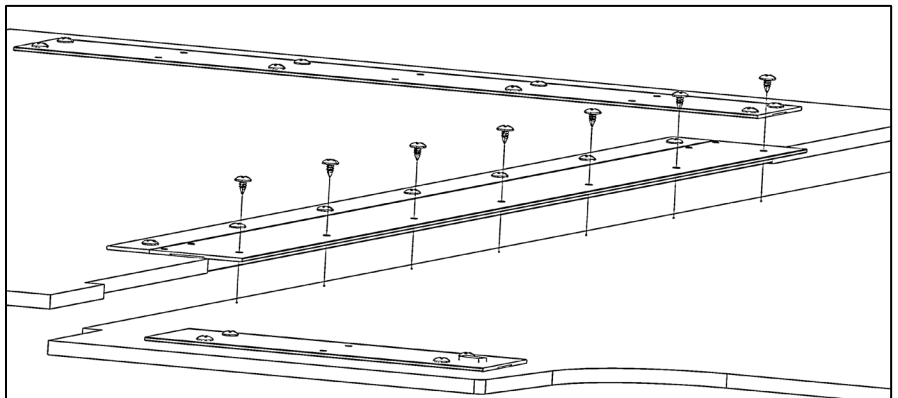
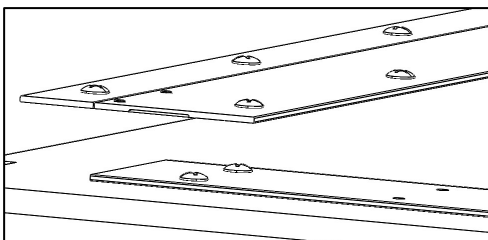
Step 2 – Assemble 40475TE Extension

- Remove rear panel from vehicle and lay flat upside down on a surface.
- Set extension panel in position, pressed against rear panel, aligned side to side.

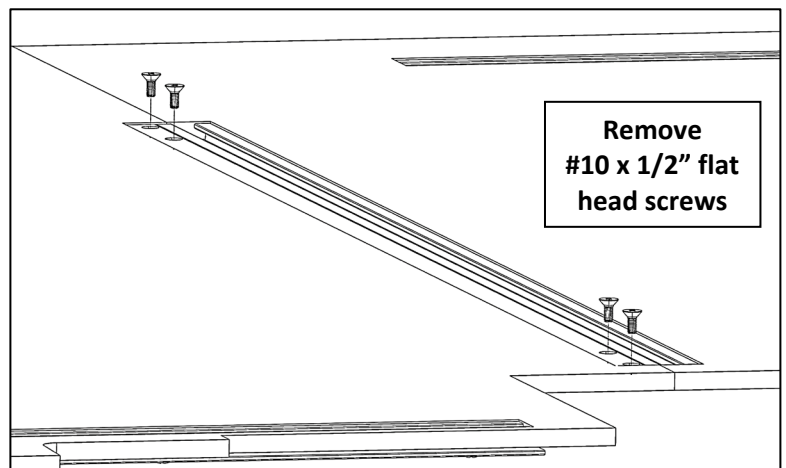


DO NOT USE IMPACT DRIVER TO INSTALL SHEET METAL SCREWS. SET DRILL DRIVER TO LOWEST SETTING AND INCREASE TORQUE ONLY AS NEEDED.

- Using seven #10 sheet metal screws, fasten extension floor joint to rear panel.



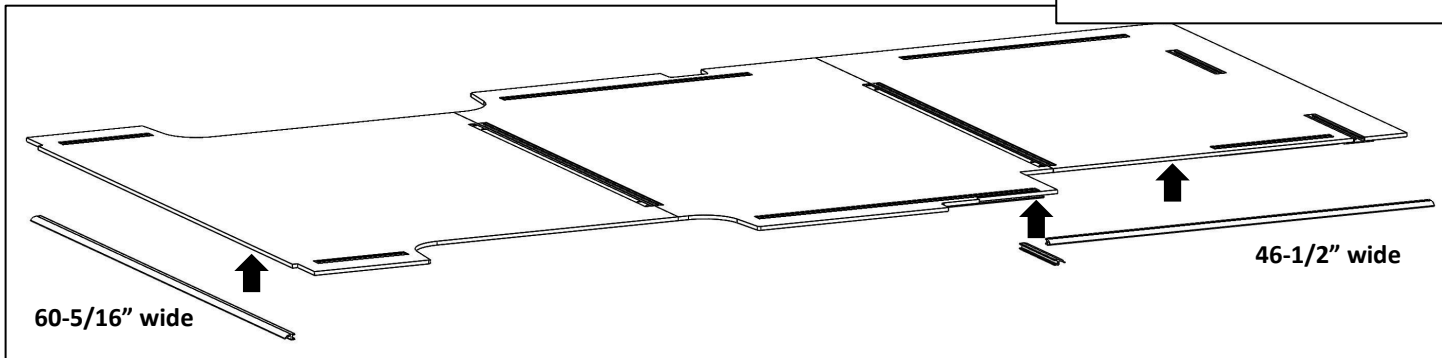
- **CAREFULLY** flip extension and rear panels over.
- Remove #10 x 1/2" flat head screws that are connecting extension panel to rear panel.
- Place rear panel and extension panels back into position in vehicle.



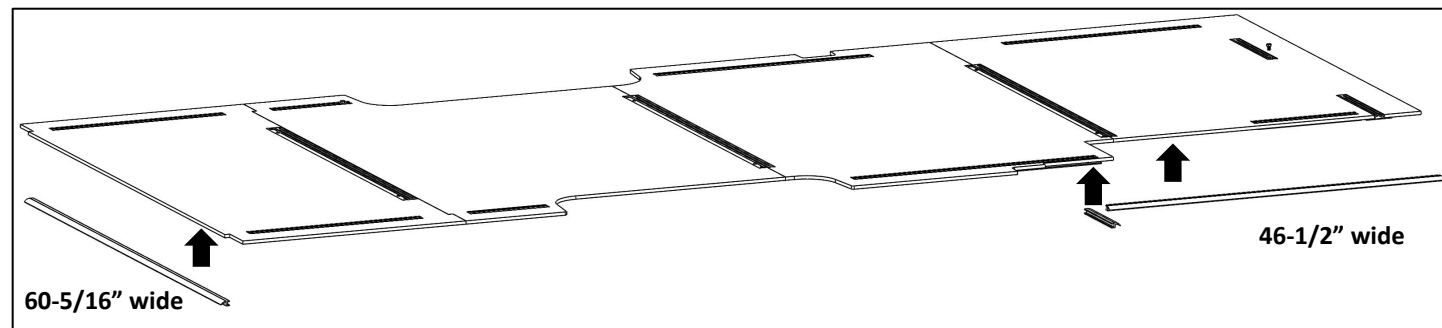
Step 3 – Install Rubber Trim

- Install rubber trim onto edges of panels nearest side and rear doors.

Rubber trim placement: 40475TL and 40475TR.

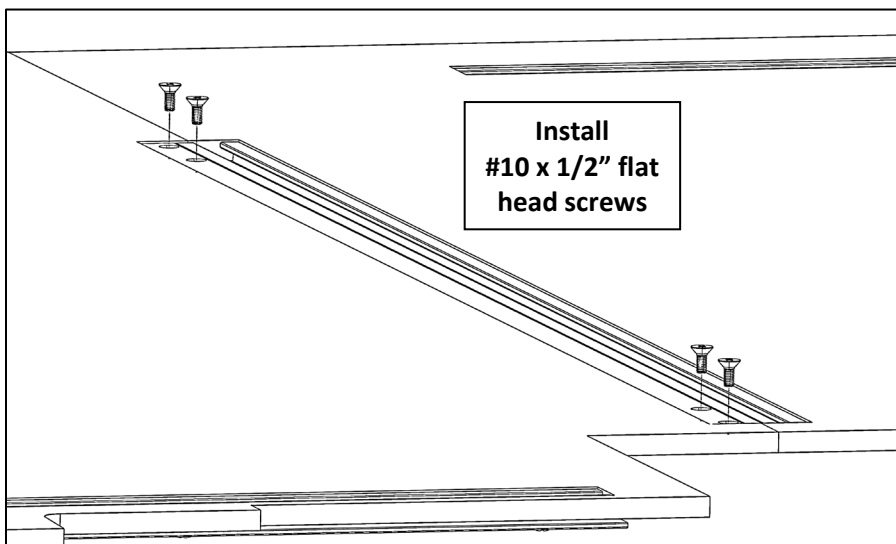


Rubber trim placement: 40475TE.



Step 4 – Connect Floor Panels

- Using #10 x 1/2" flat head screws and hex key wrench, fasten through overlapping joints into joint receiver. **DO NOT OVERTIGHTEN!**

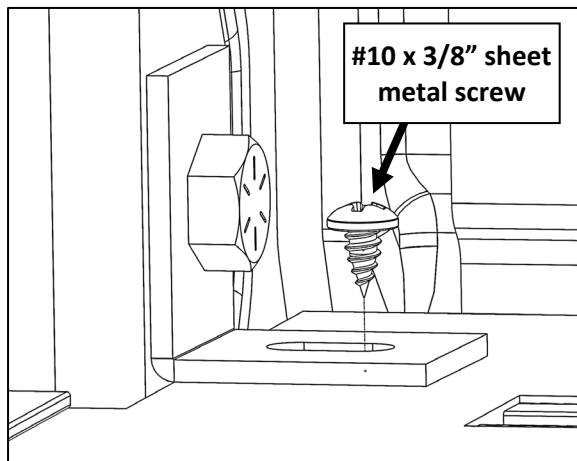
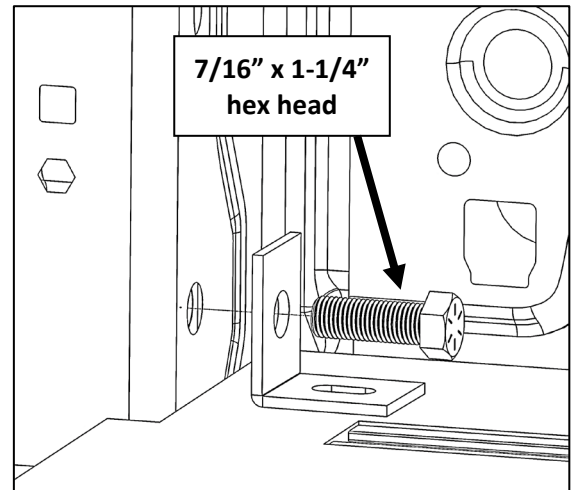


Step 5 – Attach Floor Brackets

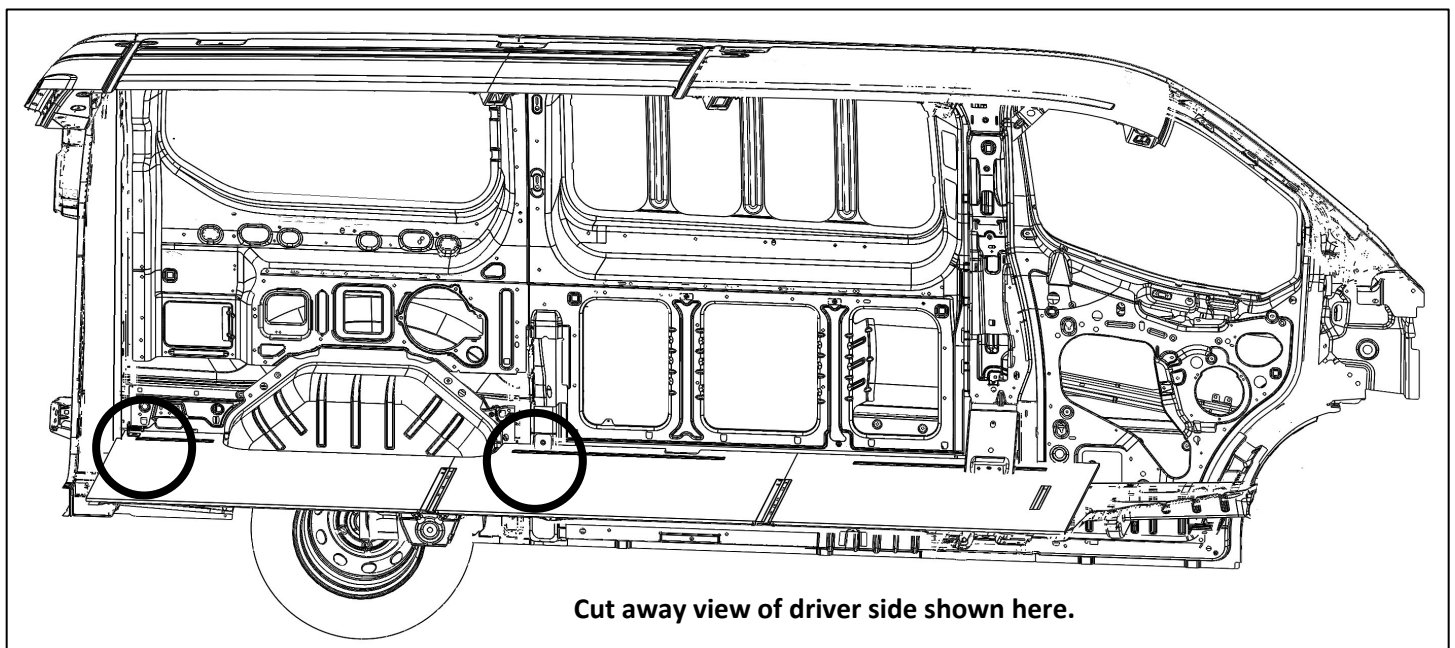
- Drive 7/16" x 1-1/4" hex head screws through floor brackets into D-ring embosses in rear pillar, side pillar, and B-pillar.

NOTE: D-ring holes may not be pre-threaded, depending on vehicle options, and may require an impact wrench.

- Using #10 x 3/8" sheet metal screws, fasten flooring to floor brackets.



The following image is an example of Transit floor-bracket installation locations. Transit Extended vehicles will have additional installation locations.

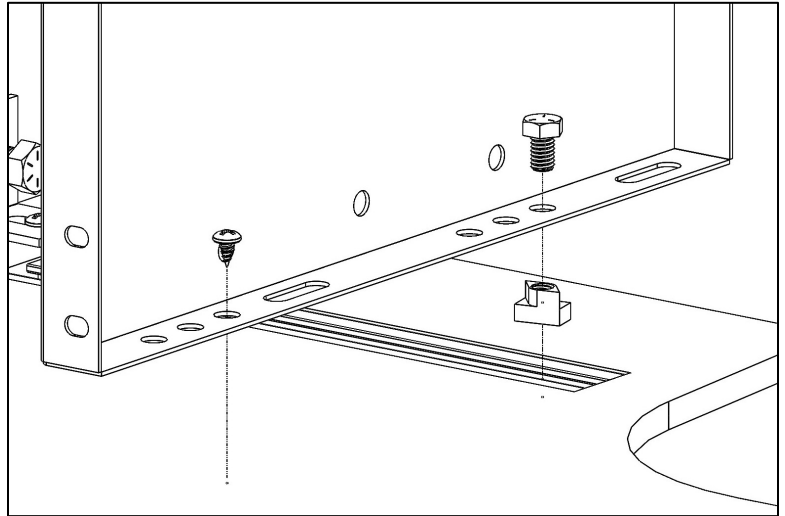


Attaching Shelving to Floor



DO NOT INSTALL SHELVING TO FLOOR WITHOUT MOUNTING TO WALL IN ADDITION TO FLOOR.

- Shelving must be attached to the rails embedded in the flooring.
- Using 5/16" hex head screws and 5/16" t-nuts, **LOOSELY** attach shelf to floor mounting rails.
- Follow shelving mounting instructions to mount shelf to wall. **Shelf must be mounted to walls in addition to the floor.**
- Tighten hardware **AFTER** mounting shelf to wall.
- **AFTER** installing wall mounting and tightening t-nut hardware, install a #10 x 3/8" sheet metal screw through the holes in the front of the shelf-side bottom flange into the flooring.

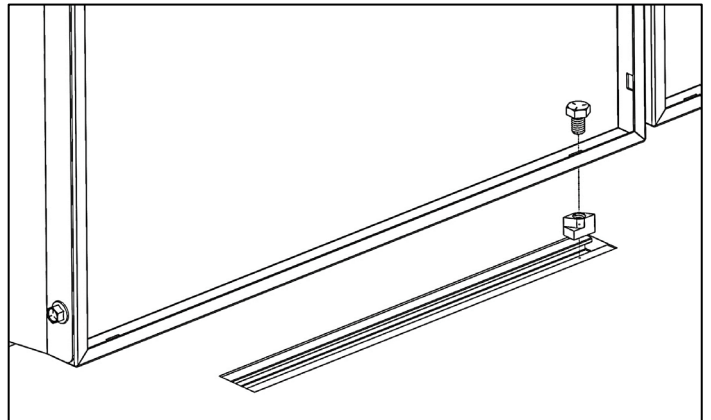


Attaching Partition to Floor



DO NOT USE ANY HARDWARE THAT WILL PENETRATE THE VEHICLE METAL FLOOR PANEL.

- Attach partition to the rails embedded in the flooring using 5/16" hex head screws and 5/16" t-nuts.
- Follow partition installation instructions to install partition to B-pillar and roof supports.



Attaching Accessories to Floor



DO NOT ATTACH TANK RACKS TO FLOOR WITHOUT MOUNTING TO WALL IN ADDITION TO FLOOR.



DO NOT USE ANY HARDWARE THAT WILL PENETRATE THE VEHICLE METAL FLOOR PANEL.

- Determine installation location.
- Drill a 5/16" hole through floor in each installation.
- Use 1/4" hardware and 1/4" t-nut threaded inserts* to install accessories to floor.

* T-nut threaded inserts sold separately in 40475HW hardware kit.

