



**WE PUT EVERYTHING WITHIN REACH.**

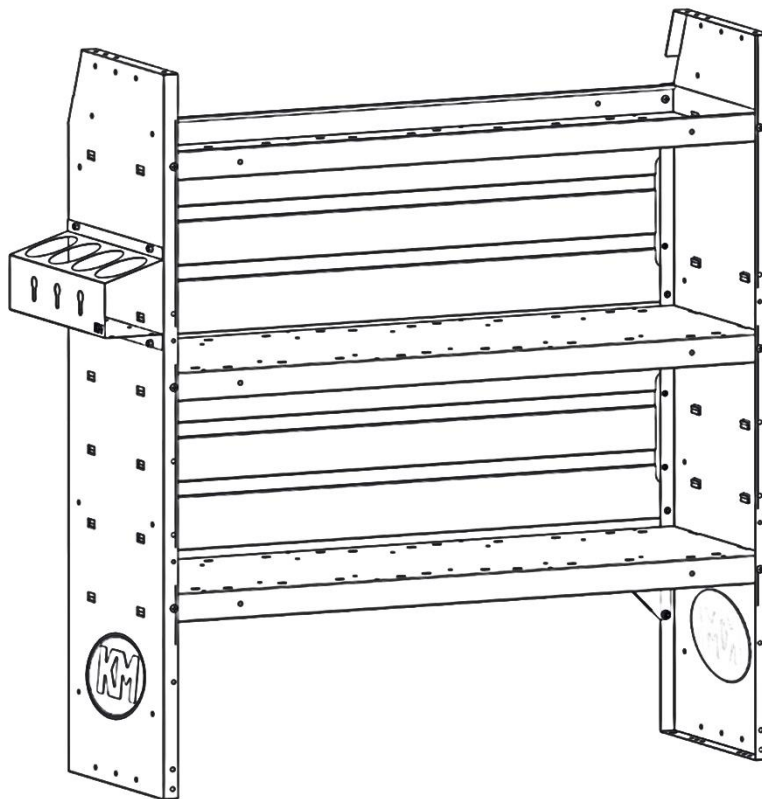
---

# Installation Guide

---

## 40474

---



---

Kargo Master  
Rancho Cordova, CA 95742  
800-343-7486  
CustomerService@KargoMaster.com

---

---

**\*PLEASE READ ALL INSTRUCTIONS AND WARNINGS PRIOR TO ASSEMBLING,  
INSTALLING, AND USING THIS PRODUCT\***

---

**Warning**



Always check for wires, fuel tanks and lines, brake lines and other important vehicle functionality items prior to drilling and installing all products.

---

**Tools Needed**

3/8" Allen Hex	7/16" Wrench and Socket
1/4" Drill (optional)	

---

**Table of Contents**

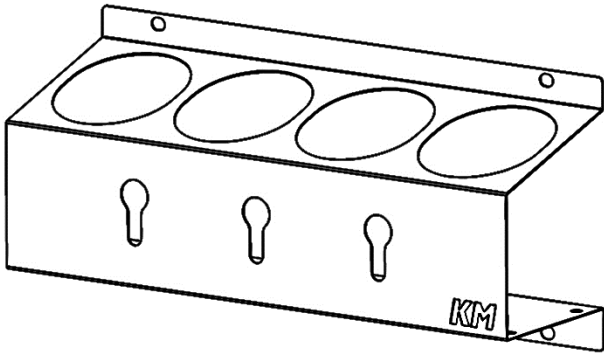
Parts List ..... 2  
Hardware List ..... 2  
Step 1 Find Location ..... 2  
Step 2 Attach ..... 3

---

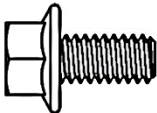

**Before You Begin**

- Read all instructions.
  - ENSURE SAFETY PRIOR TO DRILLING.
  - Product can be installed on virtually any sheet metal product.
-

**Parts**

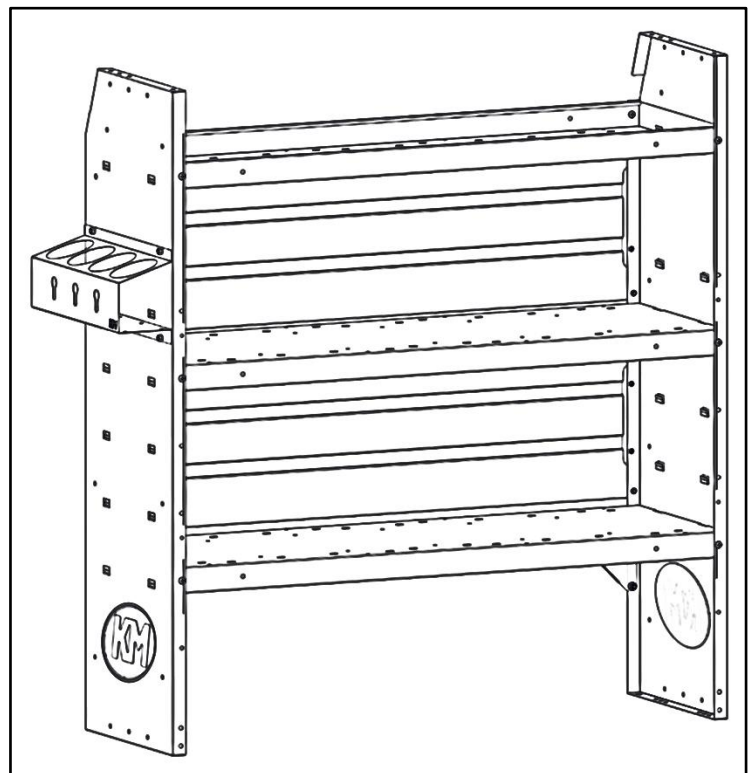
ITEM NO.		PART NUMBER	DESCRIPTION	QTY.
A		40474-00-001	RACK, RATTLE CAN, 4 POSITION	1
		18-40474	4-Can Holder Hardware	1

**Hardware**

ITEM NO.	TO SCALE	PART NUMBER	DESCRIPTION	QTY.
1		92979A110	1/4\"-20 x 1/2\" Flanged HH	4
2		93298A110	1/4\"-20 Flanged Nyloc	4

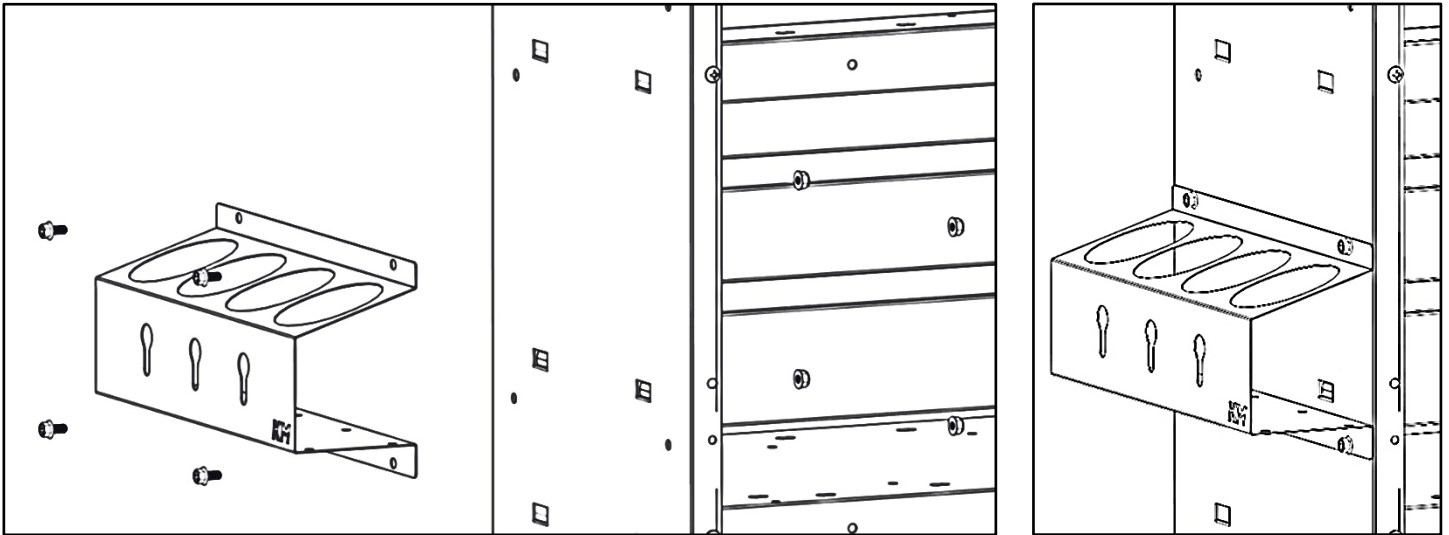
**Step 1 – Find Location**

- Find desired location for can holder to be installed.
- On the side of most KargoMaster shelf units, holes can be found that correspond with holes from the can holder.
- Place can holder (A) in desired location, if holes do **NOT** align, mark hole locations and drill with 1/4" drill.

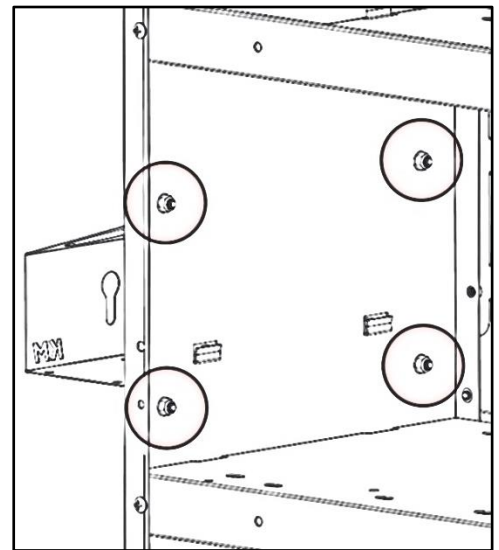


## **Step 2 – Attach**

- Attach can holder (A) using a 1/4" x 1/2" flanged hex head bolts (1) and 1/4" flanged nyloc nuts (2).



- Repeat for all 4 locations as shown.



**Ensure all bolts are tight.**  
**Your Installation is now complete.**

