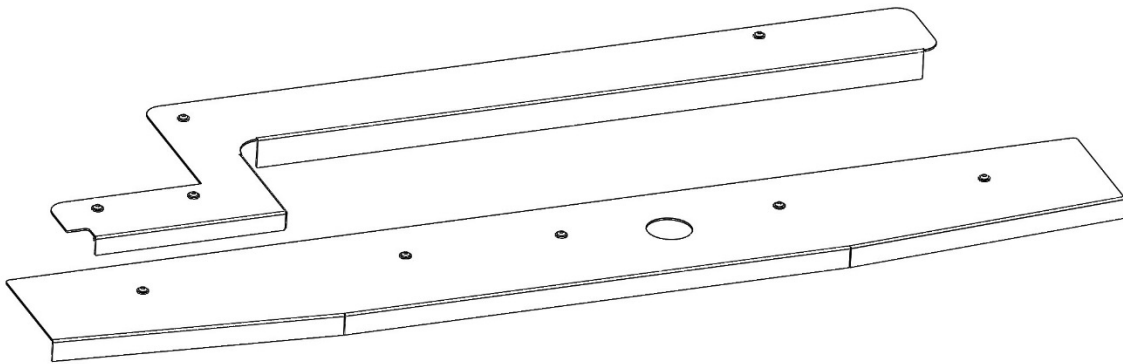

Holman

Installation Guide

40463



Holman
Rancho Cordova, CA 95742
800-343-7486
InstallationSupport@Holman.com

DATE: _____

***PLEASE READ ALL INSTRUCTIONS AND WARNINGS PRIOR TO ASSEMBLING,
INSTALLING, AND USING THIS PRODUCT***

Warning



Always check for wires, fuel tanks and lines, brake lines and other important vehicle functionality items prior to drilling and installing all products.

Tools Needed

5/32" Allen Wrench	25/64" Drill bit
Drill	


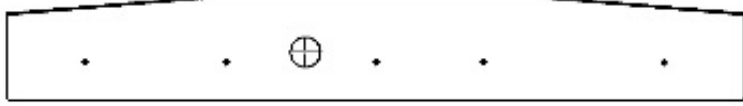
Table of Contents

Parts List	2
Hardware List	3
Step 1	4
Step 2	4
Step 3	5
Step 4	6
Step 5	7
Step 6	8

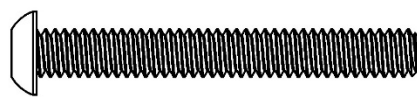
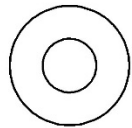
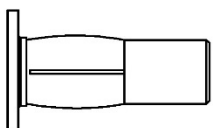
Before You Begin

- Read all instructions.
 - Ensure safety when drilling into van.
-

Parts

ITEM NO.	40463 PARTS	PART NUMBER	DESCRIPTION	QTY.
A		40463-00-001	Transit - Slider Threshold	1
B		40463-00-002	Transit - Rear Threshold	1

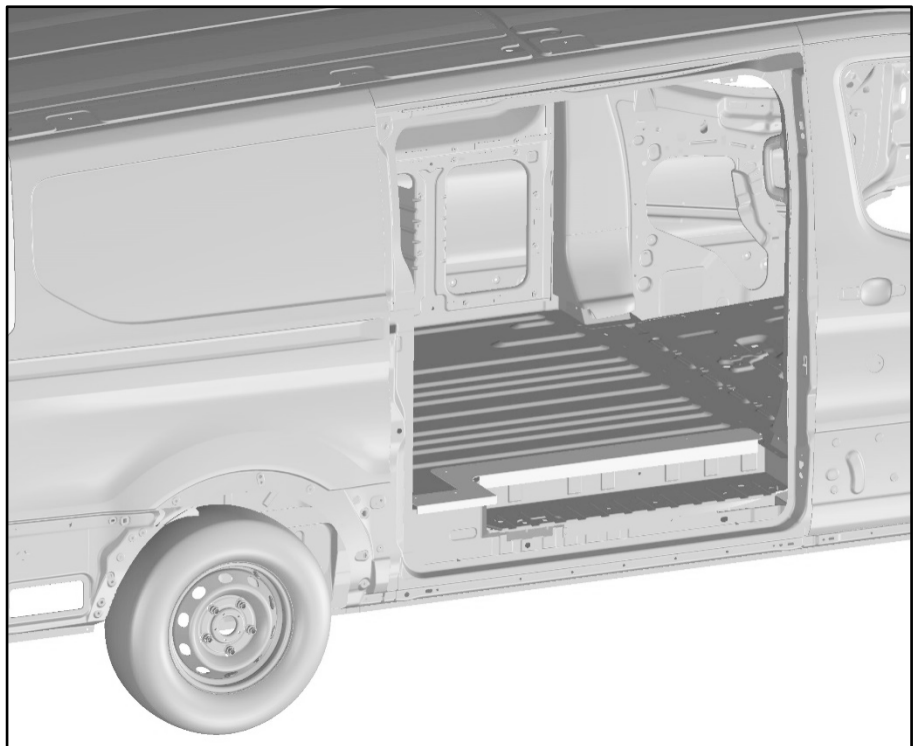
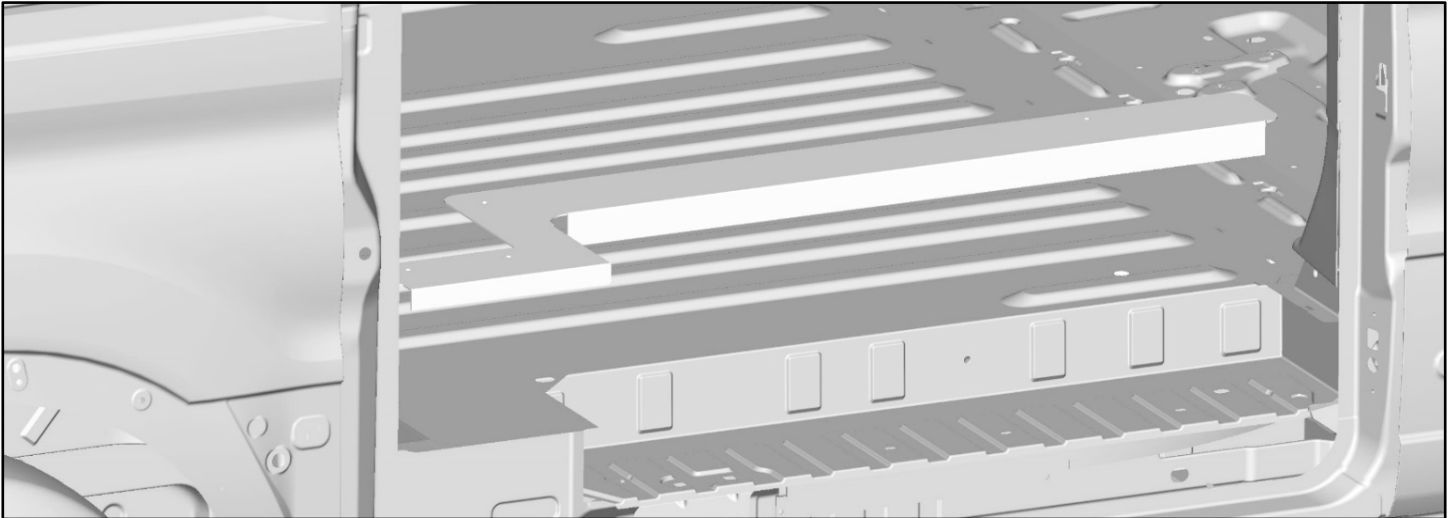
Hardware

ITEM NO.	TO SCALE	DESCRIPTION	PART NUMBER	QTY.
1		.25-20 x 2.0 BHCS Fully Threaded	91306A282	9
2		.25 flat washer	90126A029	9
3		1/4"-20 Plus Nut	97217A393	9

Side Door Mount

Step 1

- Place Slider Threshold (A) into slider doorway of van.
- Be sure to have the flanges in the down position.
- While applying firm pressure against threshold, mark the four holes onto the floor or the floor mat.

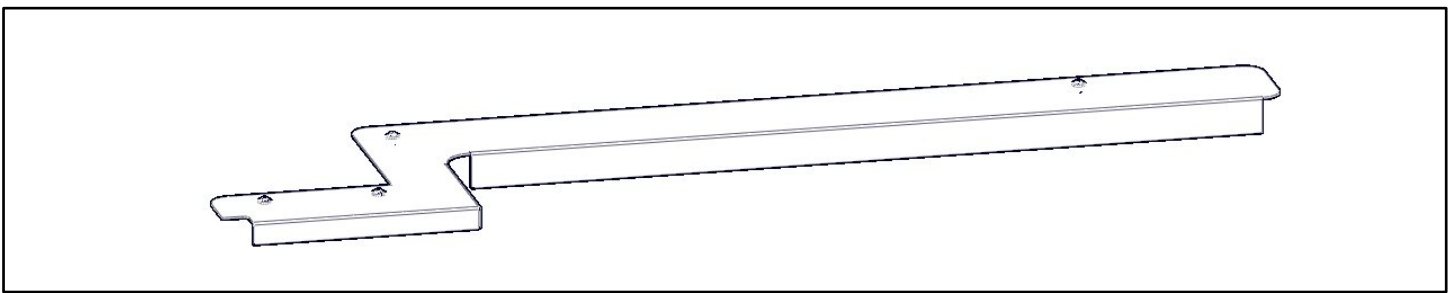
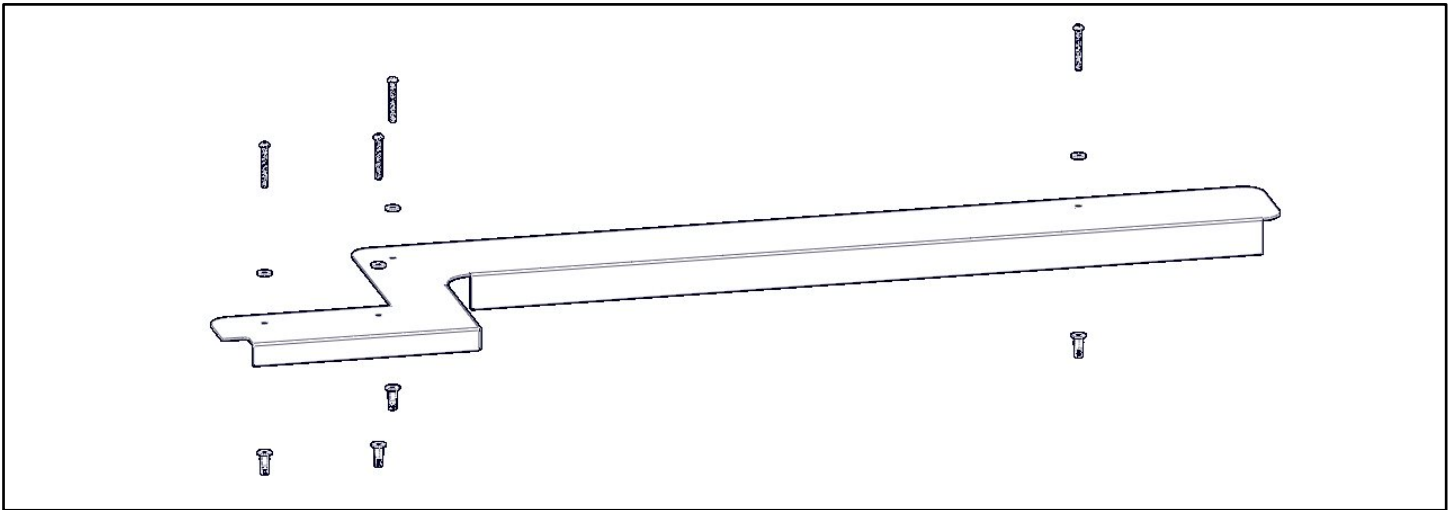


Step 2

- Remove threshold. Drill where previously marked.
MAKE CERTAIN IT IS SAFE TO DRILL.
- Drill with a 25/64" bit, and install plus nuts.

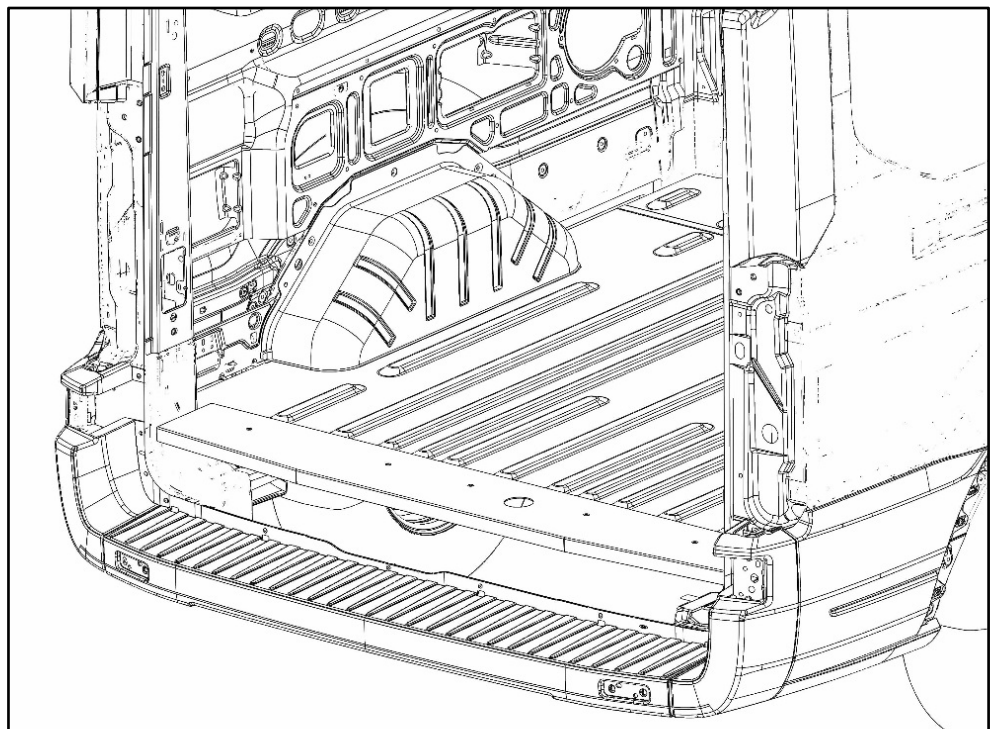
Step 3

- Place threshold back into van on top of previously installed plus nuts.
- Bolt through threshold, with .25" x 2" button head cap screw (1) and a .25" flat washer (2).
- Get all four bolts in. Then tighten.



Step 4

- Place rear threshold into rear of van.
- Be sure to have the flanges in the down position.
- While applying firm pressure against threshold, mark the four holes onto the floor or the floor mat.



Step 5

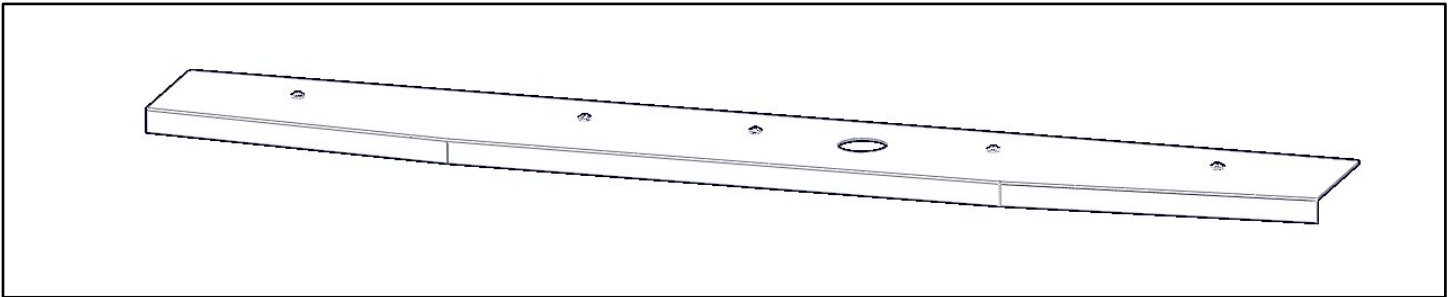
- Remove threshold. Drill where previously marked.

MAKE CERTAIN IT IS SAFE TO DRILL.

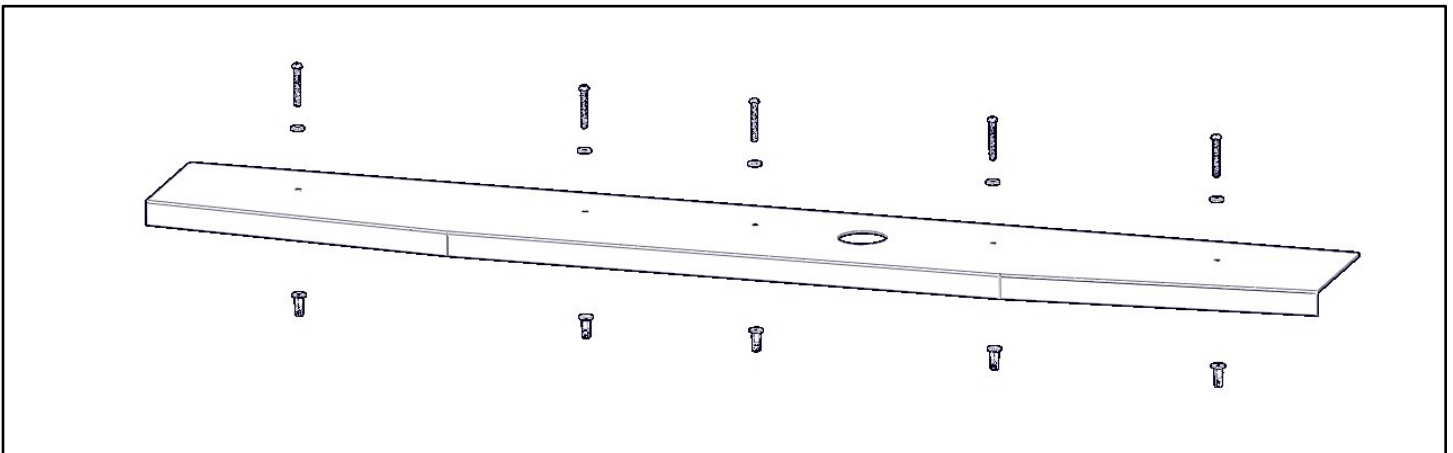
- Drill with a 25/64" bit, and install plus nuts.

Step 6

- Place threshold back into van on top of previously installed plus nuts.
- Bolt through threshold, into plusnut, with .25" x 2" button head cap screw (1) and a .25" flat washer (2).



- Get all five bolts in. Then tighten.



GO BACK AND ENSURE ALL HARDWARE IS TIGHT
Your installation is now complete.