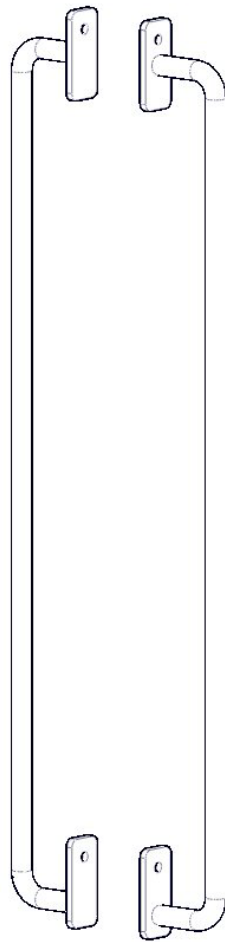

Holman

Installation Guide 40450



Holman
Rancho Cordova, CA 95742
800-343-7486
InstallationSupport@Holman.com

DATE: _____

***PLEASE READ ALL INSTRUCTIONS AND WARNINGS PRIOR TO ASSEMBLING,
INSTALLING, AND USING THIS PRODUCT***

Warning



Always check for wires, fuel tanks and lines, brake lines and other important vehicle functionality items prior to drilling and installing all products.

Tools Needed

- | | |
|---|--|
| <ul style="list-style-type: none">• M17 Wrench and Socket | |
|---|--|
-

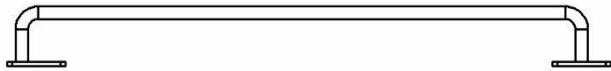
Table of Contents

Parts List	2
Hardware List	2
Step 1 Van Location	3
Step 2 Top Installation.....	3
Step 3 Bottom Installation	4
Step 4 Align.....	4

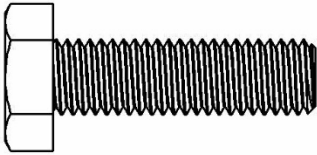
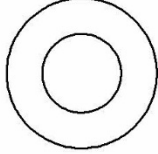
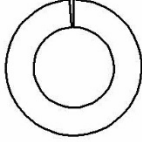
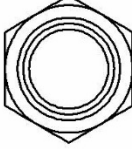
Before You Begin

- Read all instructions

Parts

	40450 Parts List	PART NUMBER	DESCRIPTION	QTY.
A		40450-10	Rear Transit Grab Handle	2

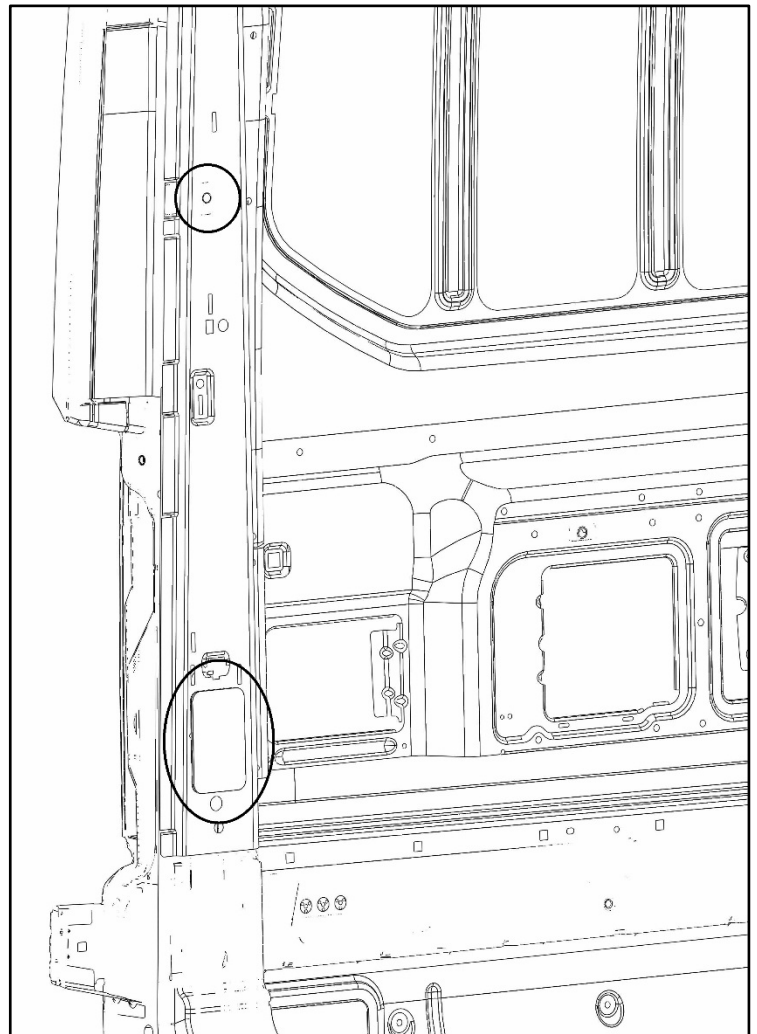
Hardware

ITEM NO.	18-40450 To Scale	PART NUMBER	DESCRIPTION	QTY.
1		91280A636	M10x1.5 x 35mm Hex	4
2		91166A280	M10 Flat Washer	6
3		91202A242	M10 Split Lock Washer	2
4		94645A220	M10x1.5 NYLOC	2

Step 1 – Locate mount location in rear of van

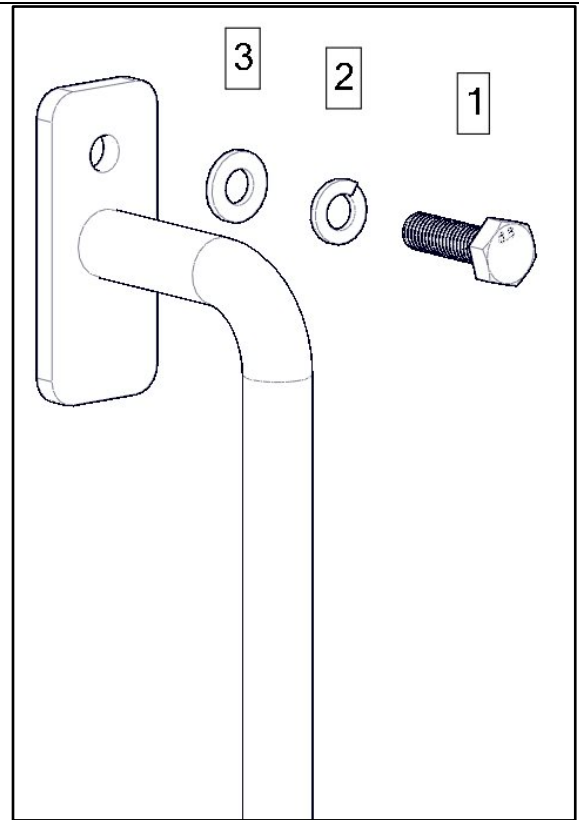
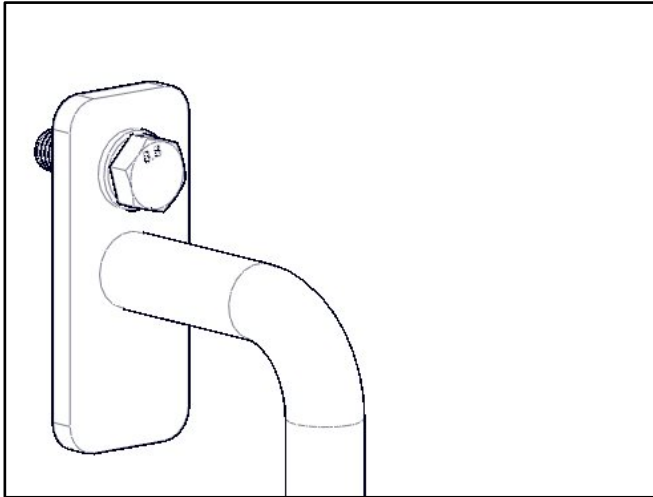
A.

- Find M10 threaded emboss located about eye level on the “D” pillar in the rear of the van.
- Locate black rectangular cover near the bottom of the “D” pillar. Remove.



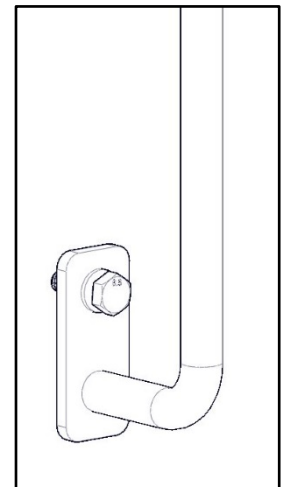
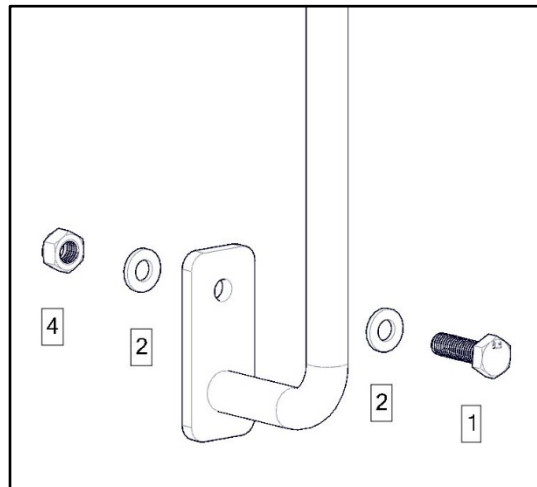
Step 2 – Attach Top

- Bolt top of grab handle to the threaded emboss. Use a M10 flat washer (2), a M10 lock washer (3) and a M10 x 35mm Hex Head (1).
- Follow the orientation and order of hardware as shown.



Step 3 – Attach Bottom

- Swing bottom of handle so that it lines up with the accessible hole below previously removed black cover.
- Bolt through the reinforced hole using a M10 x 35mm HH (1), two M10 flat washers (2) and a M10 nyloc nut (4).
- To reach the nyloc nut (4), you must access it through the square hole where the black cover was removed.
- Snug Tighten



Step 4

- Align and square handle to your preference.
- TIGHTEN all previous bolts.

Your installation is now complete.

