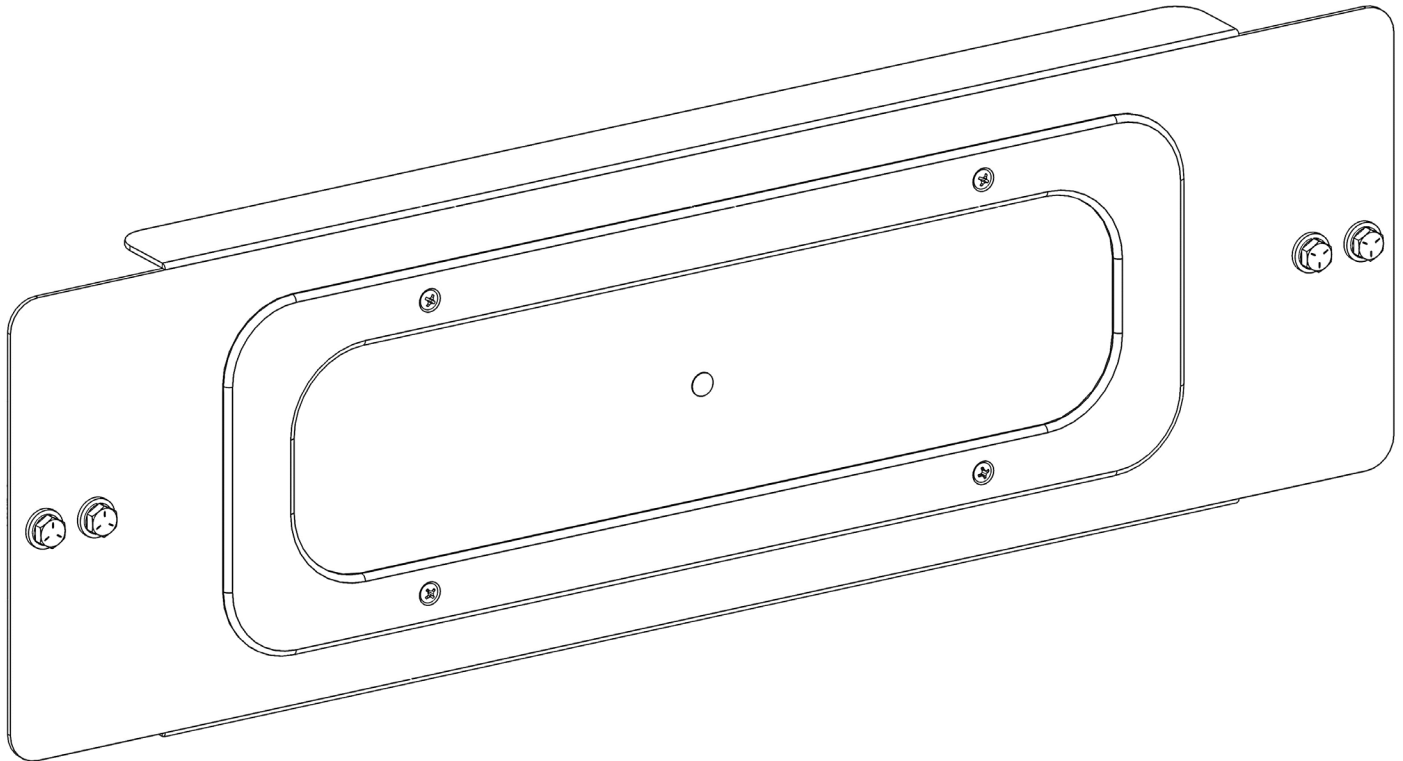


# Holman

---

## Installation Guide 40420

---



---

Kargo Master  
Rancho Cordova, CA 95742  
800-343-7486  
InstallationSupport@holman.com

---

**\*PLEASE READ ALL INSTRUCTIONS AND WARNINGS PRIOR TO ASSEMBLING, INSTALLING, AND USING THIS PRODUCT.\***

**Warning**



Always check for wires, fuel tanks and lines, brake lines and other important vehicle functionality items prior to drilling and installing all products.

**DO NOT drill beyond depth of installation surface. Always use a drill stop.**

**Tools Needed**

7/16" Socket and Wrench	9/16" Box Wrench
25/64" Drill Bit	Drill
Plus Nut Installation Tool P9902	Phillips Head Screwdriver
Drill Stop	

**Table of Contents**

Before You Begin ..... 1

Parts List ..... 1

Hardware ..... 2

Step 1 – Prepare Installation Location ..... 2

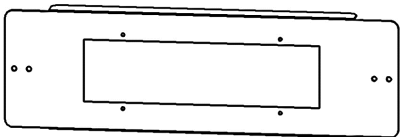
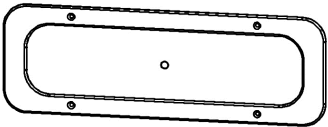
Step 2 - Plus Nut Installation ..... 3

Step 3 – Install Light ..... 4

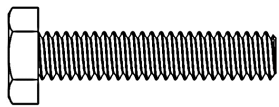
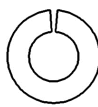
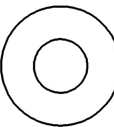
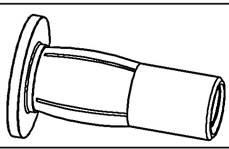



**Before You Begin**

- Read all instructions prior to assembling or installing any Kargo Master product.
- Always locate your installation locations prior to performing any work.
- **The Plus Nut Installation Tool Kit P9902 is not included and may be purchased separately.**

**Parts List**

ITEM NO.	ITEM	PART NUMBER	DESCRIPTION	QTY.
1		100895	SPRINTER LIGHT MOUNT	1
2		E31-LIGHT	HIGH PERFORMANCE CEILING LIGHT	1
3		18-40420	HARDWARE KIT	1

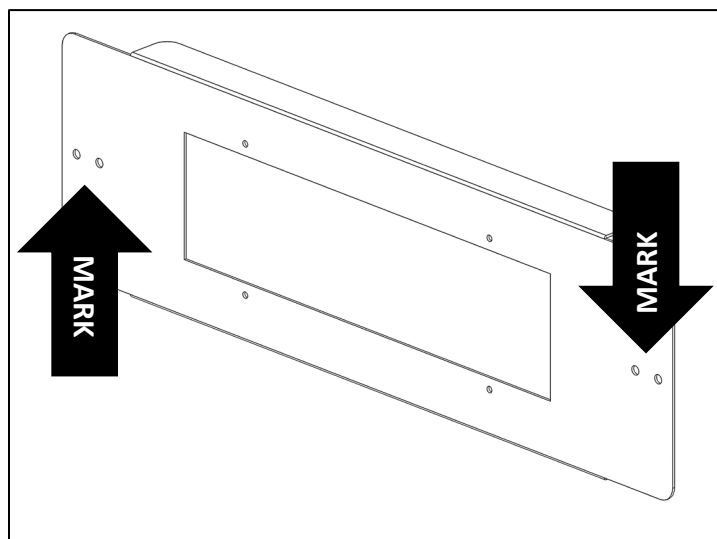
## Hardware

ITEM	HARDWARE TO SCALE	PART NUMBER	DESCRIPTION	QTY.
1		13800	1/4"-20 X 1-1/4" HEX HEAD BOLT	4
2		33618	1/4" LOCK WASHER	4
3		33078	1/4" FLAT WASHER	4
4		920313726	1/4"-20 PLUS NUT	4
5		29443	8-32 X 5/8" PHILLIPS HEAD SCREW	4
6			8-32 NYLON INSERT LOCK NUT	4
7		0159718	#8 FLAT WASHER	4

## Step 1 – Prepare Installation Location

**NOTE:** There are several possible variations of electrical installation. Common installations of light fixture are to install light running hot or to splice to dome light. Make sure the electrical wiring is accessible prior to installation of this accessory.

- The holes in the light mount are predetermined locations for installation into some vans. Verify whether the holes align to factory holes in the ceiling supports in your vehicle before proceeding with installation.
- Determine installation location.
- Hold light mount in position at installation location.
- Mark onto installation surface location of the two holes in the mount that best fit your vehicle.



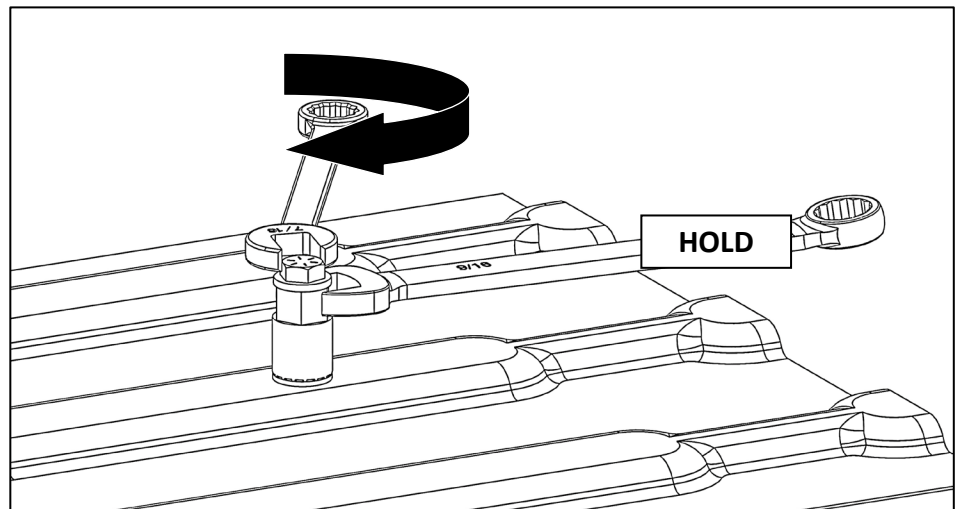
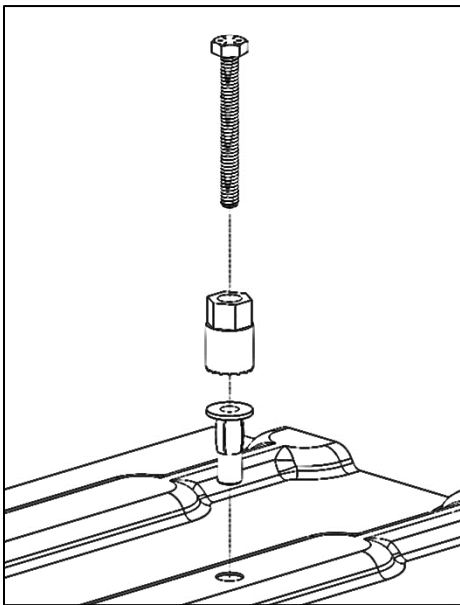
## Step 2 – Plus Nut Installation



**DO NOT drill beyond depth of installation surface. Always check for wires, fuel tanks and lines, brake lines and other important vehicle functionality items prior to drilling and installing all products.**

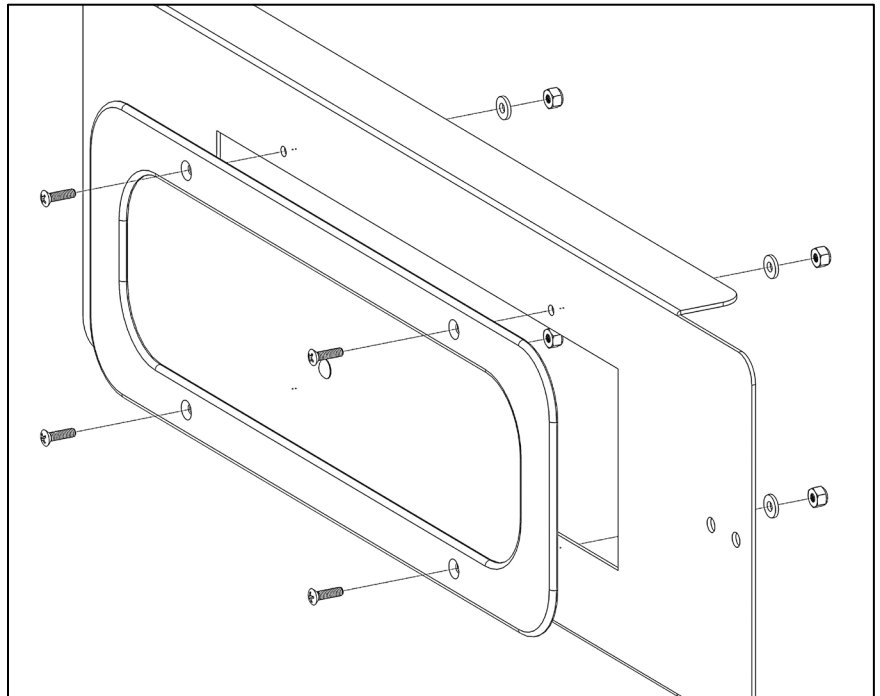
**NOTE: 1/4" x 2-1/4" hex head bolt and plus nut installation tool are not included. Kargo Master Plus Nut Installation Kit P9902 may be purchased separately.**

- Drill hole using 25/64" drill bit and appropriate sized drill-bit stop collar. If 25/64" drill bit is not available, a 3/8" drill bit can be used, although it may be necessary to tap in the plus nuts.
- Insert 1/4" x 2-1/4" hex head bolt through plus nut installation tool, and then screw bolt into plus nut. Knurled end of plus nut tool must be directed away from bolt head and contacting plus nut.
- Insert plus nut with tool into hole.
- Using the 9/16" box wrench, hold the plus nut tool stationary and then tighten hex head bolt until plus nut is tightly gripping and does not spin when hex bolt is loosened.
- DO NOT overtighten plus nut.
- Using the 9/16" box wrench, hold the plus nut tool stationary to remove the 1/4" hex head bolt.

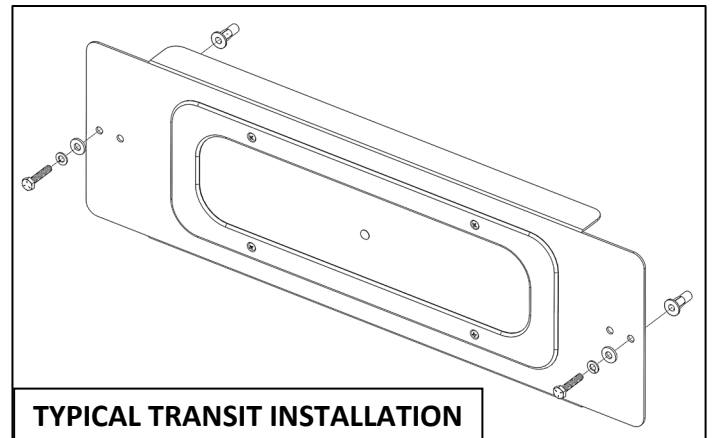
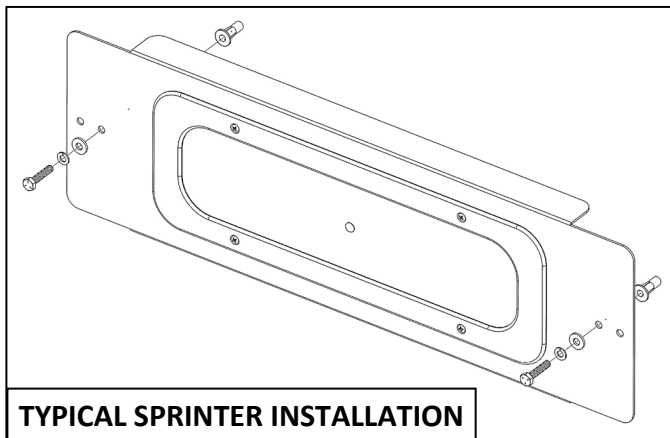


### **Step 3 – Install Light**

- Using four #8 x 5/8" screws, four #8 washers, and four #8 lock nuts, attach light to mount.
- Tighten hardware.
- Connect electrical wiring.



- Using four 1/4" x 1-1/4" hex bolts, 1/4" lock washers, and 1/4" flat washers, install mount to previously installed plus nuts.
- Tighten hardware.



**GO BACK AND ENSURE ALL HARDWARE IS TIGHTENED.**

**INSTALLATION IS COMPLETE.**