



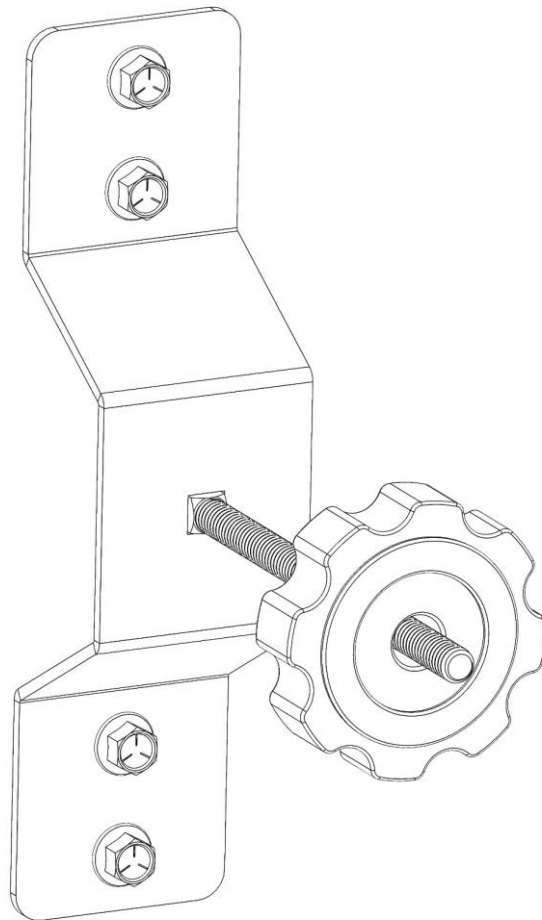
**WE PUT EVERYTHING WITHIN REACH.**

---

# Installation Guide

## 40410

---



---

Kargo Master  
Rancho Cordova, CA 95742  
800-343-7486  
CustomerService@KargoMaster.com

**\*PLEASE READ ALL INSTRUCTIONS AND WARNINGS PRIOR TO ASSEMBLING, INSTALLING, AND USING THIS PRODUCT.\***

**Warning**



Always check for wires, fuel tanks and lines, brake lines and other important vehicle functionality items prior to drilling and installing all products.

**Tools Needed**

7/16" Socket and Socket Wrench	9/16" Box Wrench
25/64" Drill Bit	Drill

**Table of Contents**

Parts List..... 2

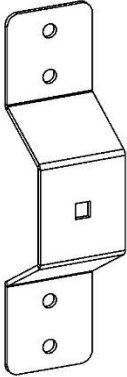
Hardware ..... 2

Tire Holder Installation..... 3


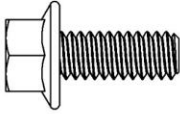
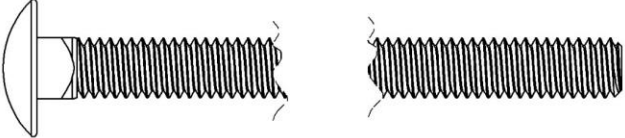
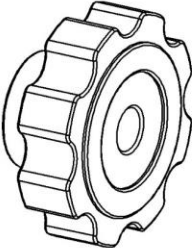
**Before You Begin**

- Read all instructions.
- Find mounting location prior to installing.
- **ENSURE SAFETY WHILE INSTALLING OR DRILLING INTO VEHICLE.**

**Parts List**

ITEM NO.	ITEM	PART NUMBER	DESCRIPTION	QTY
1		100694	TIRE HOLDER	1
2		18-40410	HARDWARE KIT	1

**Hardware**

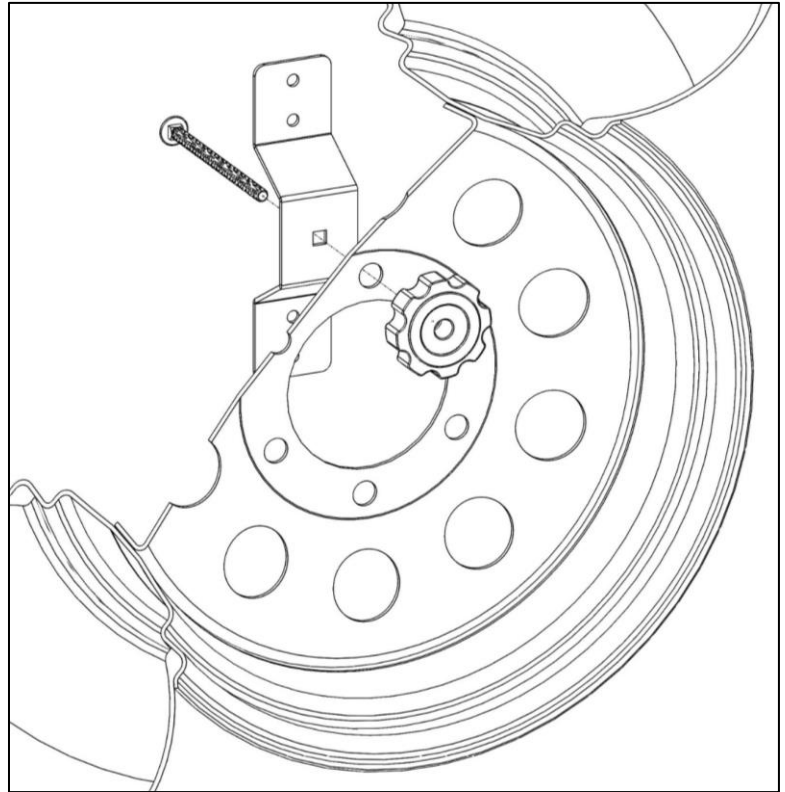
ITEM	HARDWARE TO SCALE	PART NUMBER	DESCRIPTION	QTY.
1		0167030	1/4\"-20 FLANGED LOCK NUT	4
2		11126953	1/4\"-20 X 5/8\" FLANGED HEX HEAD	4
3		21273	5/16\"-18 X 5\" CARRAGE BOLT	1
4		5532T33	RIBBED PLASTIC COMFORT-GRIP KNOB (1:2 SCALE)	1

## Tire Holder Installation

- Insert 5/16" x 5" carriage bolt through a lughole in rim.
- Loosely screw comfort-grip knob onto 5/16" x 5" carriage bolt.
- Determine the approximate location for installation of spare tire.

**NOTE:** It is recommended the tire rest on the van floor when mounted and the bracket is installed nearest to the top most lug position.

- Holding the tire holder bracket against mounting location, mark the lowest hole location on the tire holder bracket onto installation surface.
- Remove spare tire and remove tire holder bracket from spare tire.
- Position the tire holder bracket against installation surface, with bottom hole of bracket aligned with mark.
- Mark the three remaining hole locations through bracket onto installation surface.



**Installing the spare tire holder requires holes be drilled through installation surface, so make sure the following clearances and warnings are met.**

- Be sure there is proper clearance behind the installation surface for plus nuts to be installed.
- Be sure there is there is no electrical wiring or fuel lines behind locations marked.
- Use a 17/64" drill bit to drill holes where marked.
- Using four 1/4" x 5/8" flanged hex head bolts and four 1/4" flanged lock nuts, securely fasten the tire holder bracket to the installation surface.
- Tighten comfort-grip knob until tire is firmly secure.

**GO BACK AND ENSURE ALL HARDWARE IS TIGHTENED.**

**ASSEMBLY IS COMPLETE.**

