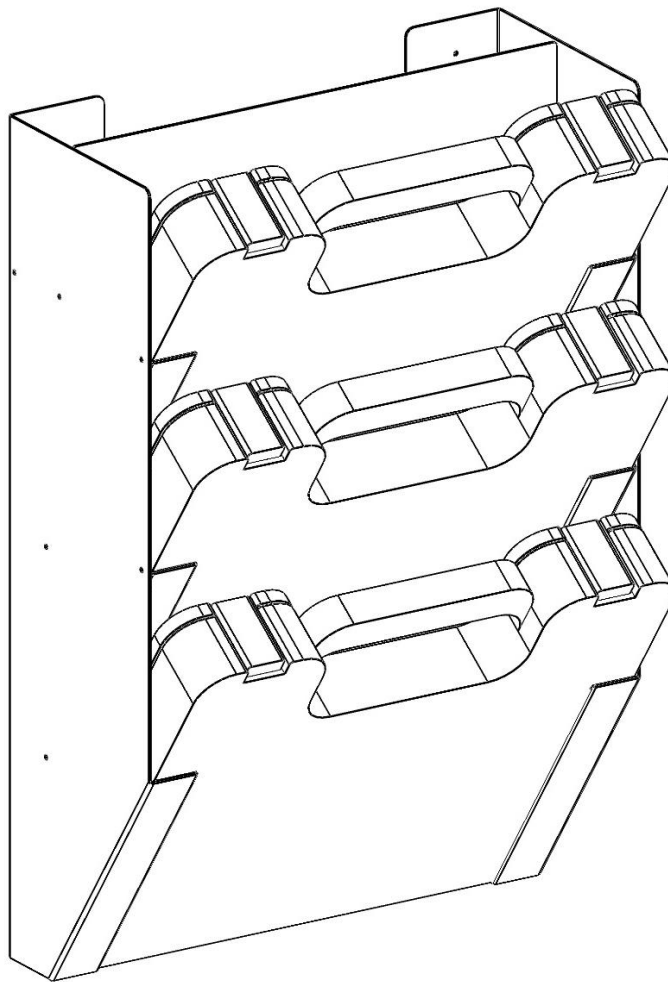


Holman

Installation Guide 40370



Holman
Rancho Cordova, CA 95742
800-343-7486

InstallationSupport@Holman.com

PLEASE READ ALL INSTRUCTIONS AND WARNINGS PRIOR TO ASSEMBLING, INSTALLING, AND USING THIS PRODUCT.

Warning



Always check for wires, fuel tanks and lines, brake lines and other important vehicle functionality items prior to drilling and installing all products.

Tools Needed

Phillips driver	1/4" Drill bit (optional)
Drill (optional)	

Table of Contents

Parts List 1

Hardware List 1

Step 1 – Assembly 2

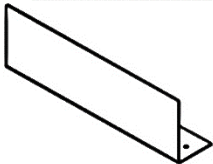
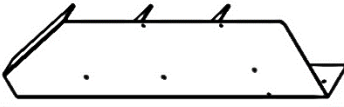
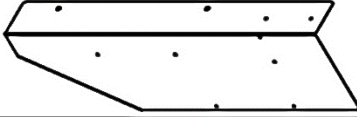
Step 2 – Installation 2

Step 3 – Optional Installation 3


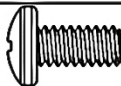
Before You Begin

- Read all instructions.
- Ensure safety when drilling.

Parts

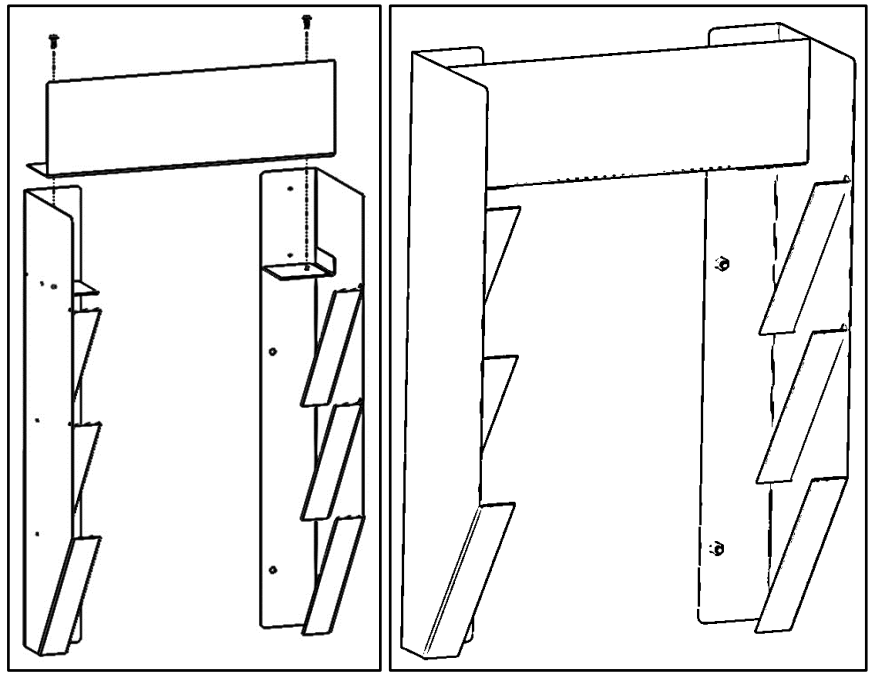
NO.	ITEM	PART NUMBER	DESCRIPTION	QTY.
1		40370-201	Tray	1
2		40370-802	One Side	1
3		Mirror40370-802	Mirror Side	1
4		18 - 40370	40370 HARDWARE KIT	1

Hardware

ITEM NO.	HARDWARE (TO SCALE)	PART NUMBER	DESCRIPTION	QTY.
1		90272A244	#10-24 x0.5 Pan Head Philips Machine Screw	2
2		90272A539	.25-20 x .5 PAN HEAD PHILLIPS MACHINE SCREW	4

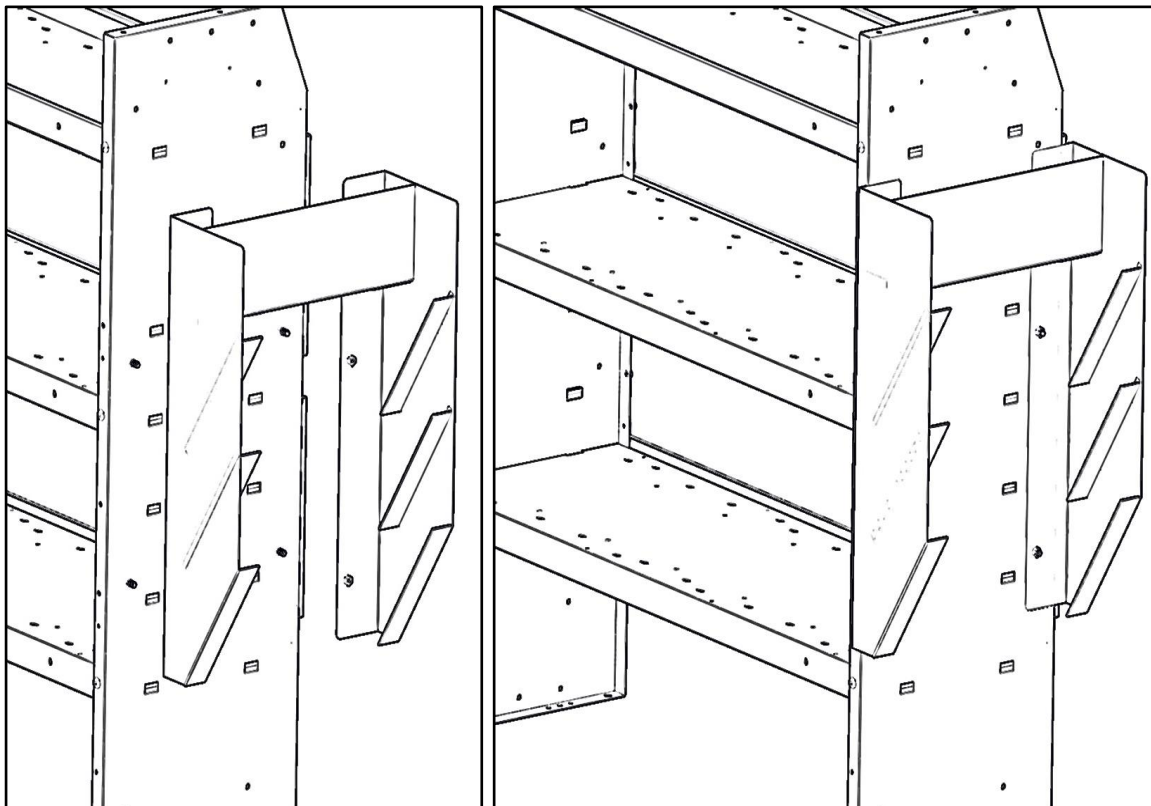
Step 1 - Assembly

- Bolt all three pieces together as shown below.
- Use #10 x 1/2" pan head screw to bolt into #10 nuts.
- Top tray, sits on top of each flange on sides.
- Snug tighten, but allow movement.



Step 2 - Installation

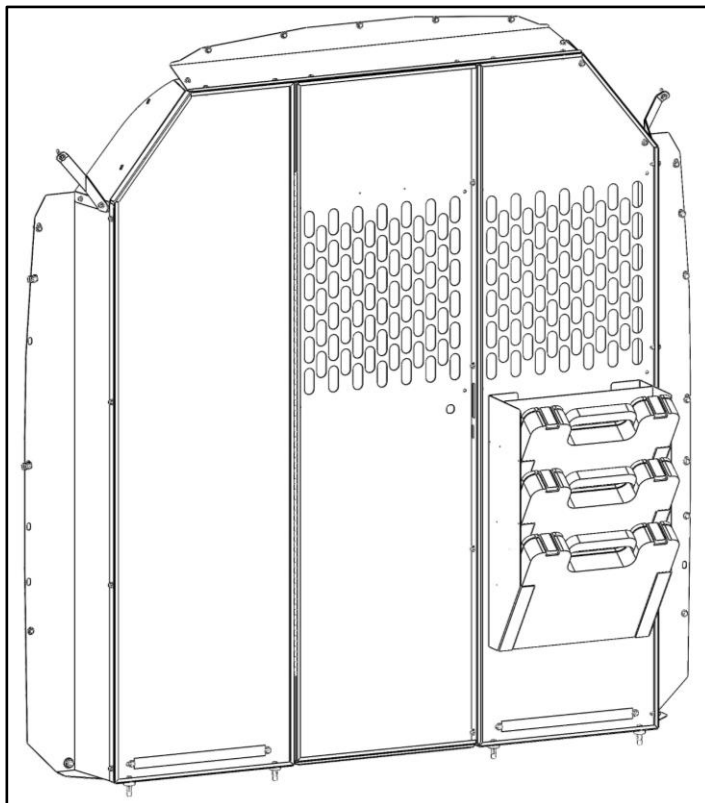
- Place previously assembled bin holder onto desired location.
- One can mount this part to multiple different places. These instructions show them being mounted to Holman 46" Shelf unit.
- Bolt through existing holes in shelf side panel using a 1/4" x 1/2" pan head screw.
- Repeat on all four locations.



Step 3 – Optional Installation

Note: If desired, one can move location of where the unit is installed. Place assembly where desired, mark through the four holes.

- Drill through the previously marked holes, Replace assembly and bolt the same way as in step 2.



GO BACK AND TIGHTEN ALL HARDWARE.

INSTALLATION IS COMPLETE.