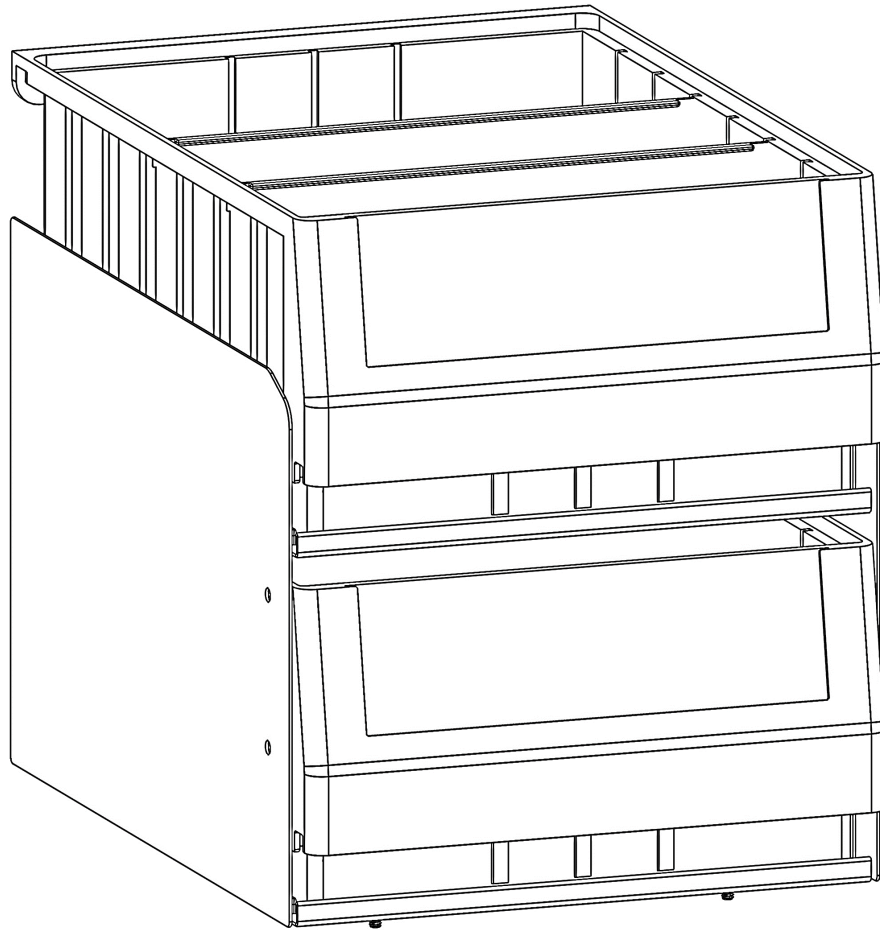


Holman

Instruction Guide 40342



Holman
Rancho Cordova, CA 95742
800-343-7486
InstallationSupport@holman.com

*** PLEASE READ ALL INSTRUCTIONS AND WARNINGS PRIOR TO ASSEMBLING, INSTALLING, AND USING THIS PRODUCT. ***

Tools Needed

5/16" Socket and Wrench	1/8" Hex Key Wrench
-------------------------	---------------------

Table of Contents

Before You Begin..... 1

Parts 1

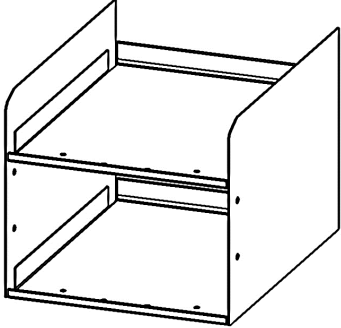
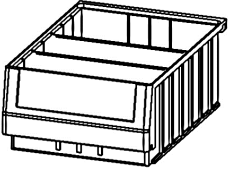
Hardware 2

Install Shelf Cabinet 2



Before You Begin

- Read all instructions prior to assembling or installing any Kargo Master product.
- **Always locate your installation locations prior to performing any work.**
- **ENSURE SAFETY WHILE INSTALLING OR DRILLINGw INTO VEHICLE.**

Parts

NO.	ITEM	PART NUMBER	DESCRIPTION	QTY.
1		101052	SHELF CABINET FOR LARGE PARTS BINS	1
2		40311	LARGE PLASTIC BIN EXT W/ DIVIDERS	2
3		18-40340	MOUNTING HARDWARE	1

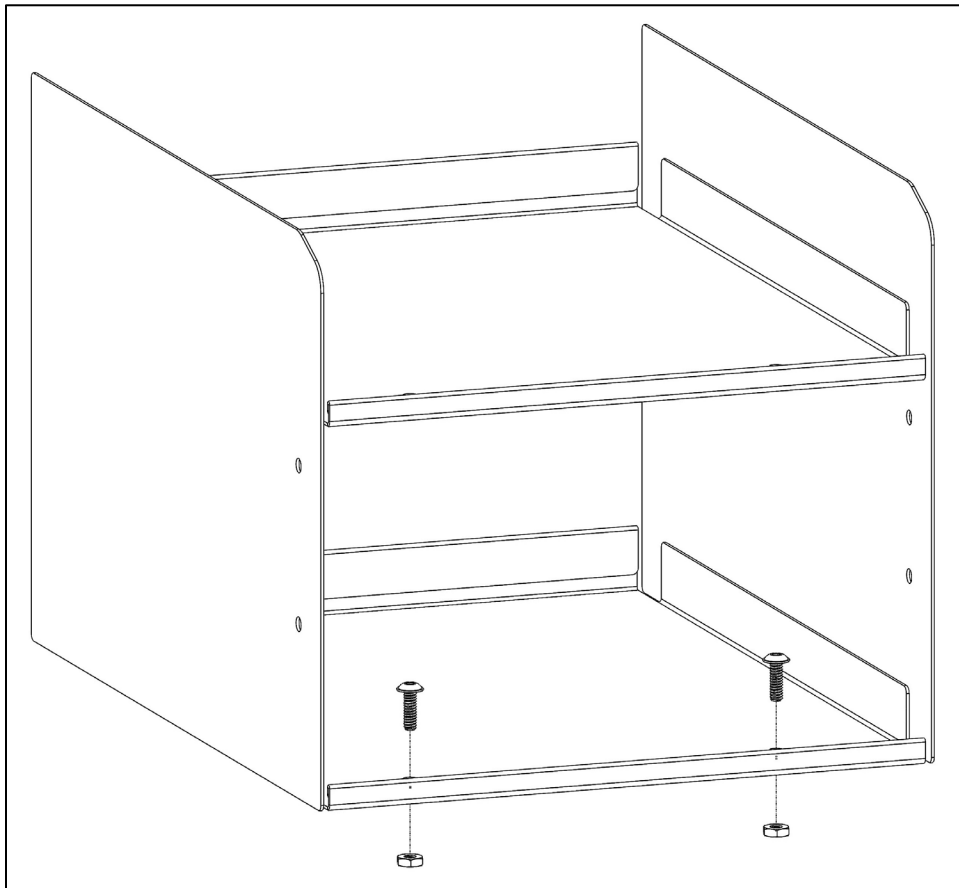
Hardware

ITEM	HARDWARE TO SCALE	PART NUMBER	DESCRIPTION	QTY.
1		11104510	#10-24 HEX NUT	2
2		91355A120	10-24 X 5/8" FLANGED BUTTON HEAD SCREW	2

Install Shelf Cabinet

The holes in bottom of cabinet correspond to holes in Kargo Master shelves.

- Determine installation location.
- Position shelf cabinet in desired installation location.
- Using #10 x 5/8" button head screws and #10 hex nuts, fasten cabinet to shelf.
- Tighten.



INSTALLATION IS COMPLETE.