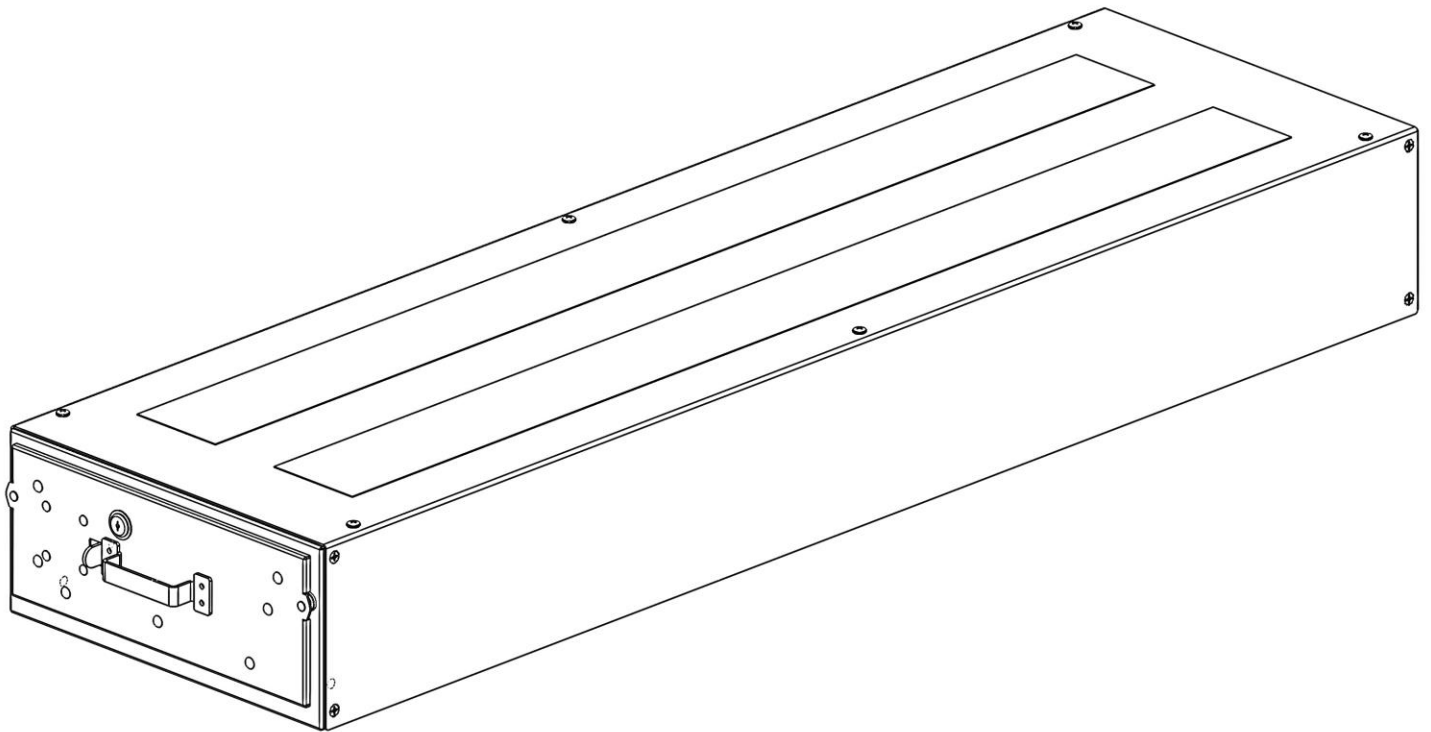


Holman

Instruction Guide

40251



Holman

Rancho Cordova, CA 95742

800-343-7486

InstallationSupport@Holman.com

PLEASE READ ALL INSTRUCTIONS AND WARNINGS PRIOR TO ASSEMBLING, INSTALLING, AND USING THIS PRODUCT.

Warning



Always check for wires, fuel tanks and lines, brake lines and other important vehicle functionality items prior to drilling and installing all products.

Tools Needed

7/16" Socket and Wrench	7/16", 9/16" Box Wrench
25/64" Drill Bit	Drill
Drill Bit Stop Collar	Plus Nut Installation Tool (P9902)*
#2 Philips Head Screw Driver	

* Sold Separately.

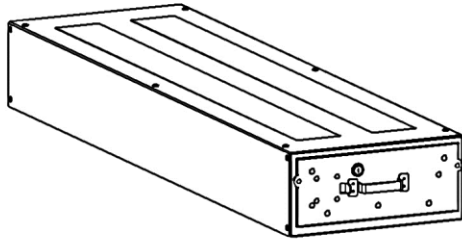
Table of Contents

Before You Begin	1
Parts	2
Hardware	2
Step 1 – Remove Cover	3
Step 2 – Install Plus Nuts.....	4
Step 3 – Install Drawer Assembly.....	5
Step 4 – Install Cover	5

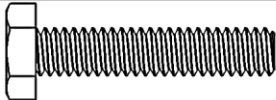
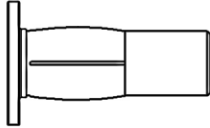

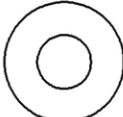
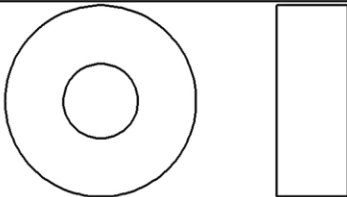
Before You Begin

- Read all instructions prior to assembling or installing any Holman product.
 - **Always locate your installation locations prior to performing any work.**
 - **ENSURE SAFETY WHILE INSTALLING OR DRILLING INTO VEHICLE.**
 - **Plus Nut Installation Tool Kit (P9902) is not included and must be purchased separately.**
-

Parts

NO.	ITEM	PART NUMBER	DESCRIPTION	QTY.
1		40251-00	SINGLE FLOOR DRAWER ASSEMBLY	1
2		18-40251	HARDWARE KIT	1

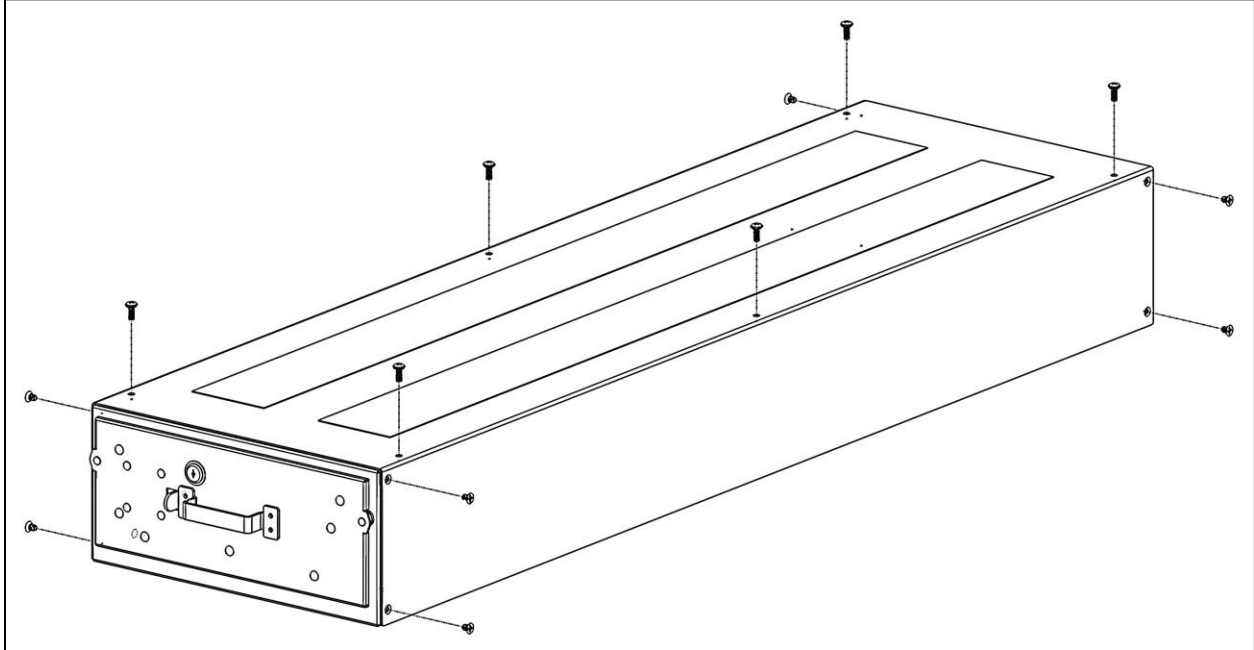
Hardware

ITEM	HARDWARE TO SCALE	PART NUMBER	DESCRIPTION	QTY.
1		13800	1/4"-20 x 1-1/4" HEX HEAD BOLT	6
2			1/4"-20 PLUS NUT	6
3		0123494	1/4" Lock Washer	6
4		11541082	1/4 Flat Washer	6
5		11517442	3/8" ID X 1" OD X 3/8" NYLON SPACER	6

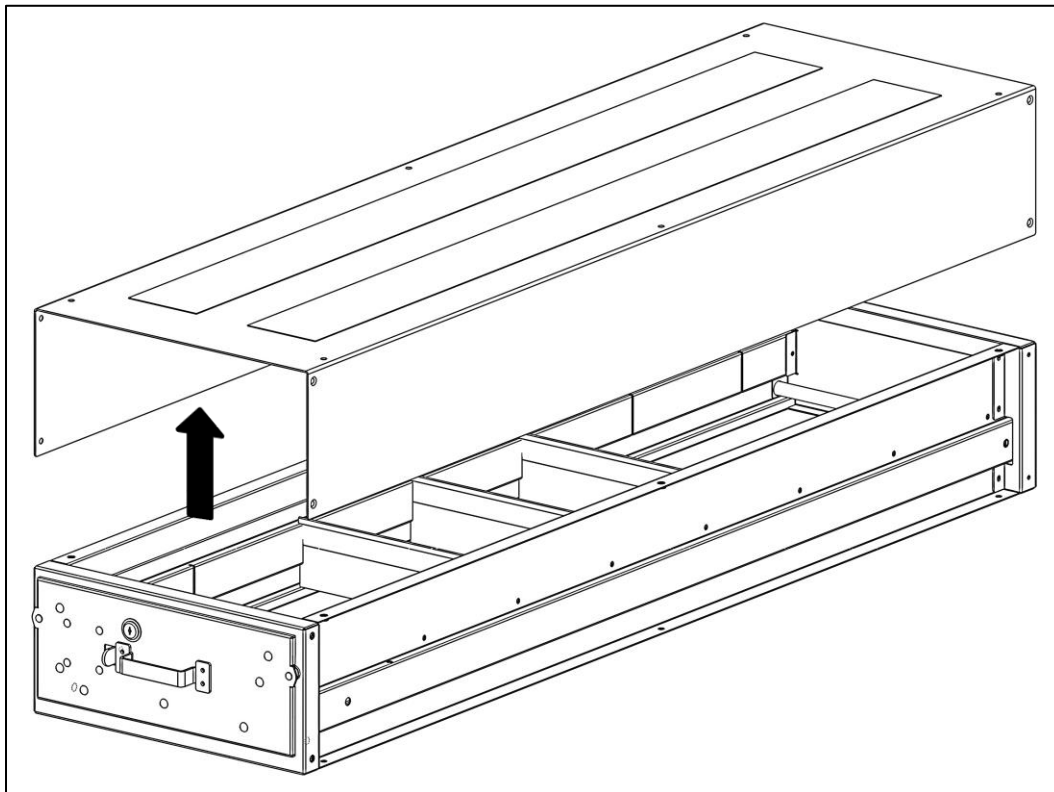
DO NOT EXCEED MANUFACTURERS WEIGHT CAPACITY FOR ROOF.

Step 1 – Remove Cover

- Remove screws in each side of cover and on top of cover.

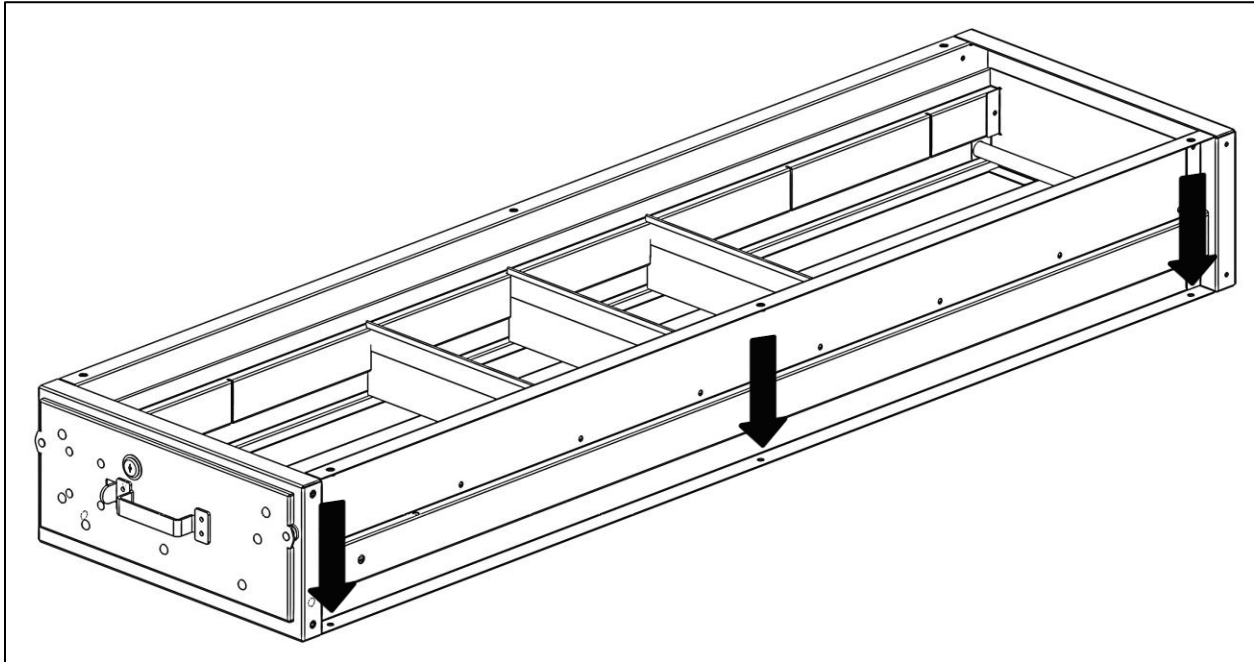


- Remove cover.



Step 2 – Install Plus Nuts

- Place drawer assembly in installation position.
- Mark onto the installation surface the location of the holes in bottom of both sides of assembly.

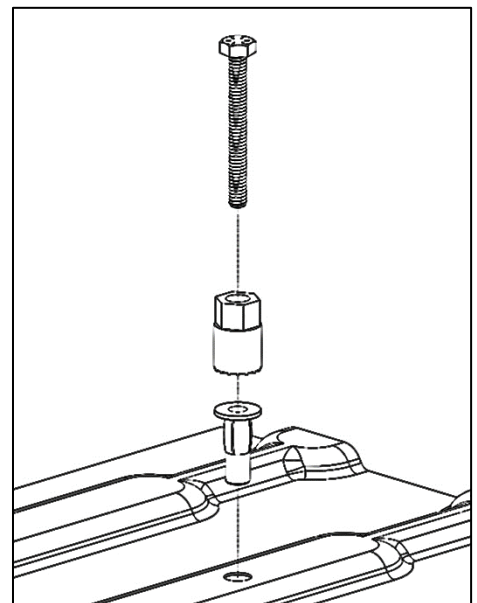


- Remove assembly.

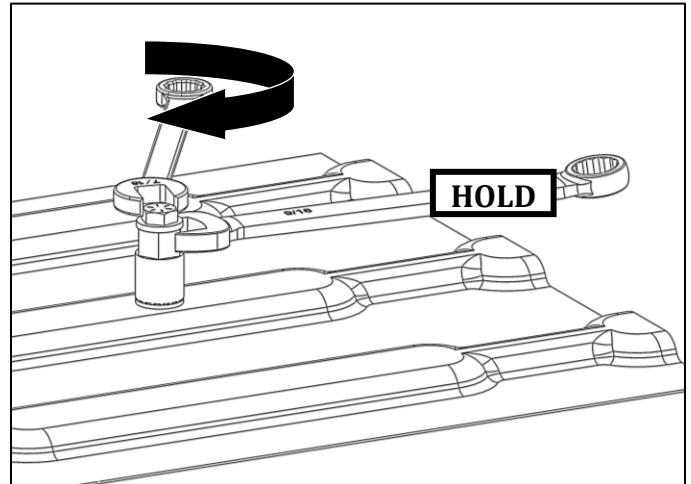


DO NOT drill beyond depth of floor or installation surface. Always check for wires, fuel tanks and lines, brake lines and other important vehicle functionality items prior to drilling and installing all products.

- At each marked location, drill hole using 25/64" drill bit and appropriate sized drill-bit stop collar. If 25/64" drill bit is not available, a 3/8" drill bit can be used, although it may be necessary to tap in the plus nuts.
- Insert 1/4" x 2-1/4" hex head bolt through 1/4" flat washer and plus nut installation tool, and then screw bolt into plus nut. Knurled end of plus nut tool must be directed away from bolt head and contacting plus nut.
- Insert plus nut into hole with plus nut tool attached.

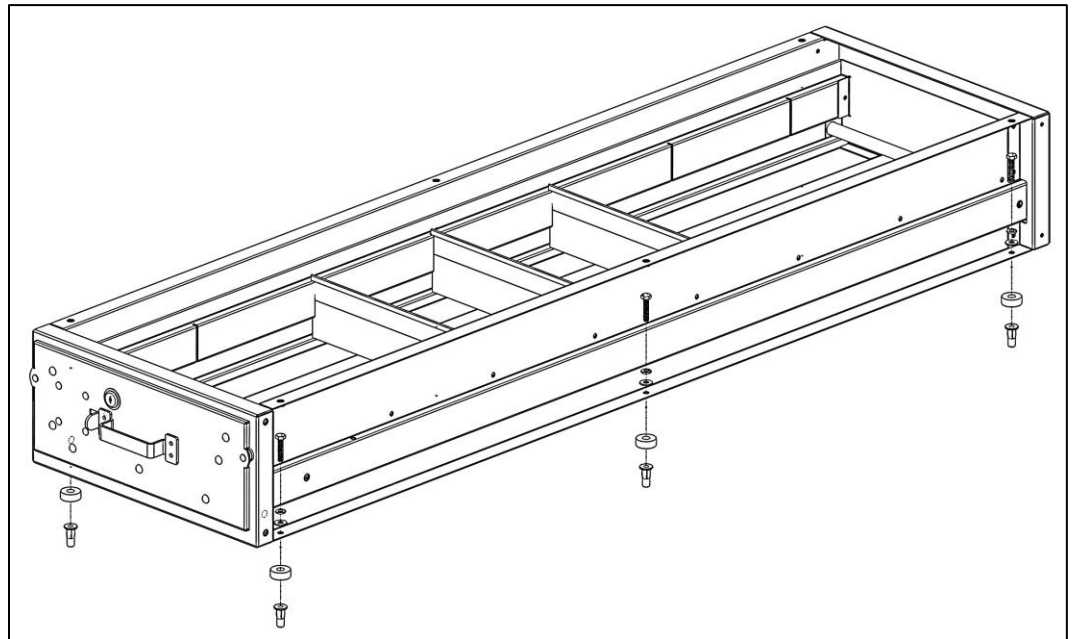


- Using the 9/16" box wrench, hold the plus nut tool stationary and then tighten hex head bolt until plus nut is tightly gripping and does not spin when hex bolt is loosened.
- DO NOT overtighten plus nut.
- Using the 9/16" box wrench, hold the plus nut tool stationary to remove the 1/4" hex head bolt.



Step 3 – Install Drawer Assembly

- Using six 1/4" x 1-1/4" hex head bolts, 1/4" lock washers, 1/4" flat washers, and nylon spacers, fasten the drawer assembly to the installed plus nuts.



Step 4 – Install Cover

- Replace cover on drawer assembly.
- Using the screws previously removed in Step 1, reinstall cover.

GO BACK AND TIGHTEN ALL HARDWARE.

INSTALLATION IS COMPLETE.