

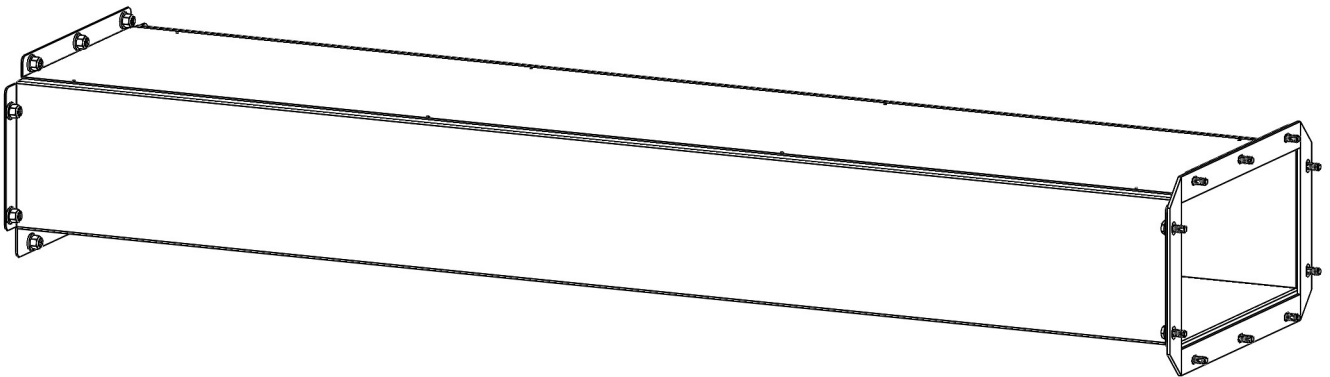
# Holman

---

## Instruction Guide

### 40239

---



---

Holman  
Rancho Cordova, CA 95742  
800-343-7486  
InstallationSupport@holman.com

**\* PLEASE READ ALL INSTRUCTIONS AND WARNINGS PRIOR TO ASSEMBLING, INSTALLING, AND USING THIS PRODUCT. \***

## Warning



**ALWAYS CLOSE, SECURE, AND LOCK CONDUIT CARRIER DOOR BEFORE MOVING OR DRIVING VEHICLE.**



**DO NOT EXCEED MANUFACTURERS WEIGHT CAPACITY FOR ROOF.**

## Tools Needed

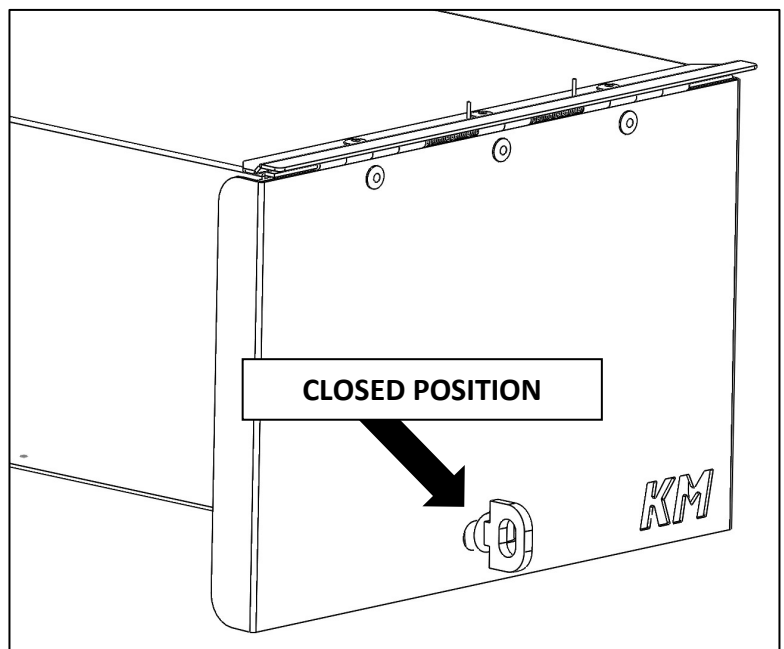
7/16", 1/2" Sockets and Wrench	7/16" Box Wrench
--------------------------------	------------------

## Table of Contents

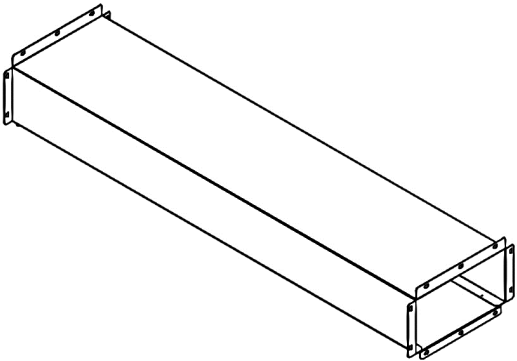
Parts List.....	2
Hardware .....	2
Installation Notes.....	2
Step 1 – Install Extension .....	3
Step 2A – Install to Van Rack .....	4
Step 2B – Install to Crossbar Rack.....	5

## Before You Begin

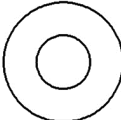

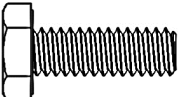
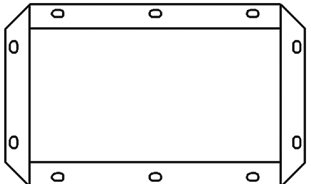
- Read ALL instructions prior to installing any Kargo Master product.
- **Always CLOSE AND LOCK conduit carrier door before moving vehicle or transporting loads.**



## Parts List

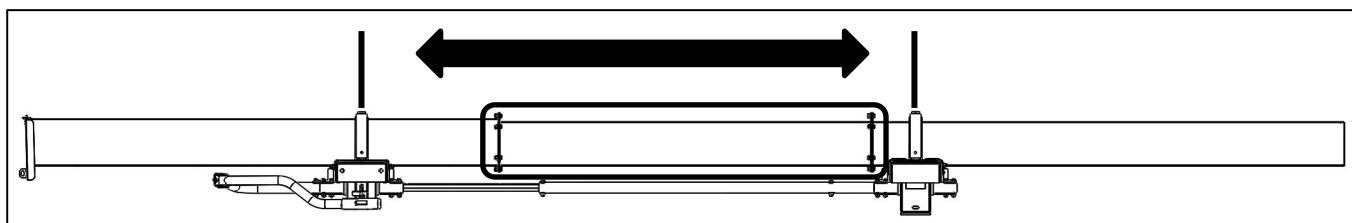
NO.	ITEM	PART NUMBER	DESCRIPTION	QTY.
1		101064	CONDUIT CARRIER EXTENSION	1
2		18-40239	HARDWARE KIT	1

## Hardware

ITEM	HARDWARE TO SCALE	PART NUMBER	DESCRIPTION	QTY.
1		33078	1/4" FLAT WASHER	20
2		37018	1/4"-20 NYLON INSERT LOCK NUT	10
3		11241345	1/4"-20 X 3/4" HEAD HEAD BOLT	10
4	 NOT TO SCALE	40237-00-007	CONDUIT CARRIER SEAL	1

## Installation Notes

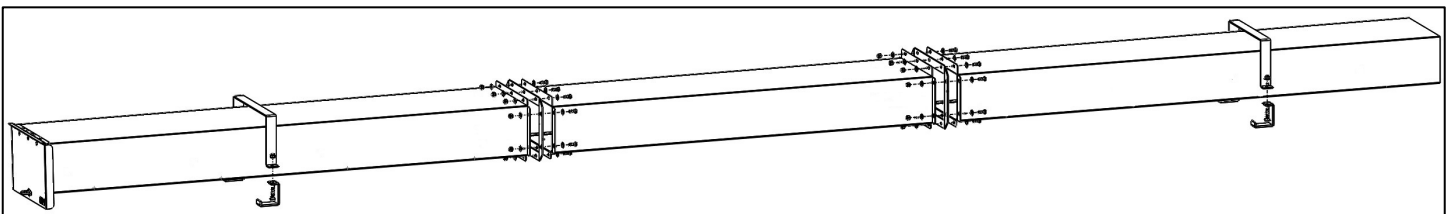
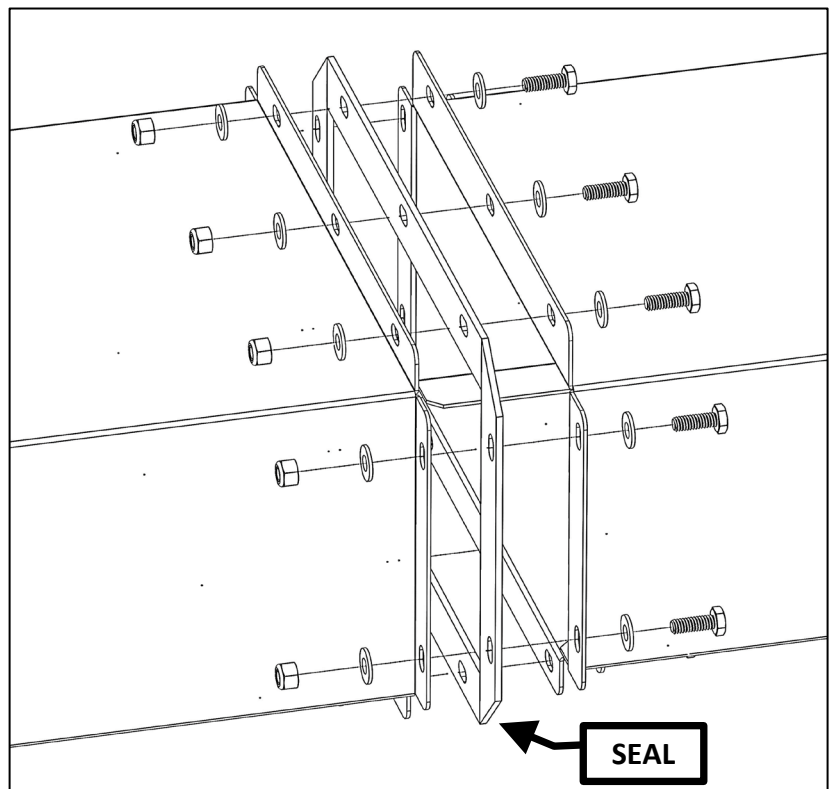
- When installing conduit carrier extension, it is recommended to locate the extension between the bows on the rack.



## DO NOT EXCEED MANUFACTURERS WEIGHT CAPACITY FOR ROOF!

### Step 1 – Install Extension

- If conduit carrier is already installed on vehicle, remove conduit carrier from vehicle.
- Disassemble existing conduit carrier.
- Insert conduit carrier extension between front and rear halves of conduit carrier.
- Insert a foam seal between the front section and extension. Be sure to align the holes in foam seal with holes in front section and extension.
- Using hardware removed from conduit carrier, bolt the front section to conduit carrier extension.
- Insert a foam seal between the extension and back section. Be sure to align the holes in foam seal with holes in front section and extension.
- Using 1/4" x 3/4" hex head bolts, 1/4" flat washers, and 1/4" lock nuts, bolt the extension to the rear section.
- Be sure front, extension, and back sections are square and straight to each other.
- Tighten hardware.

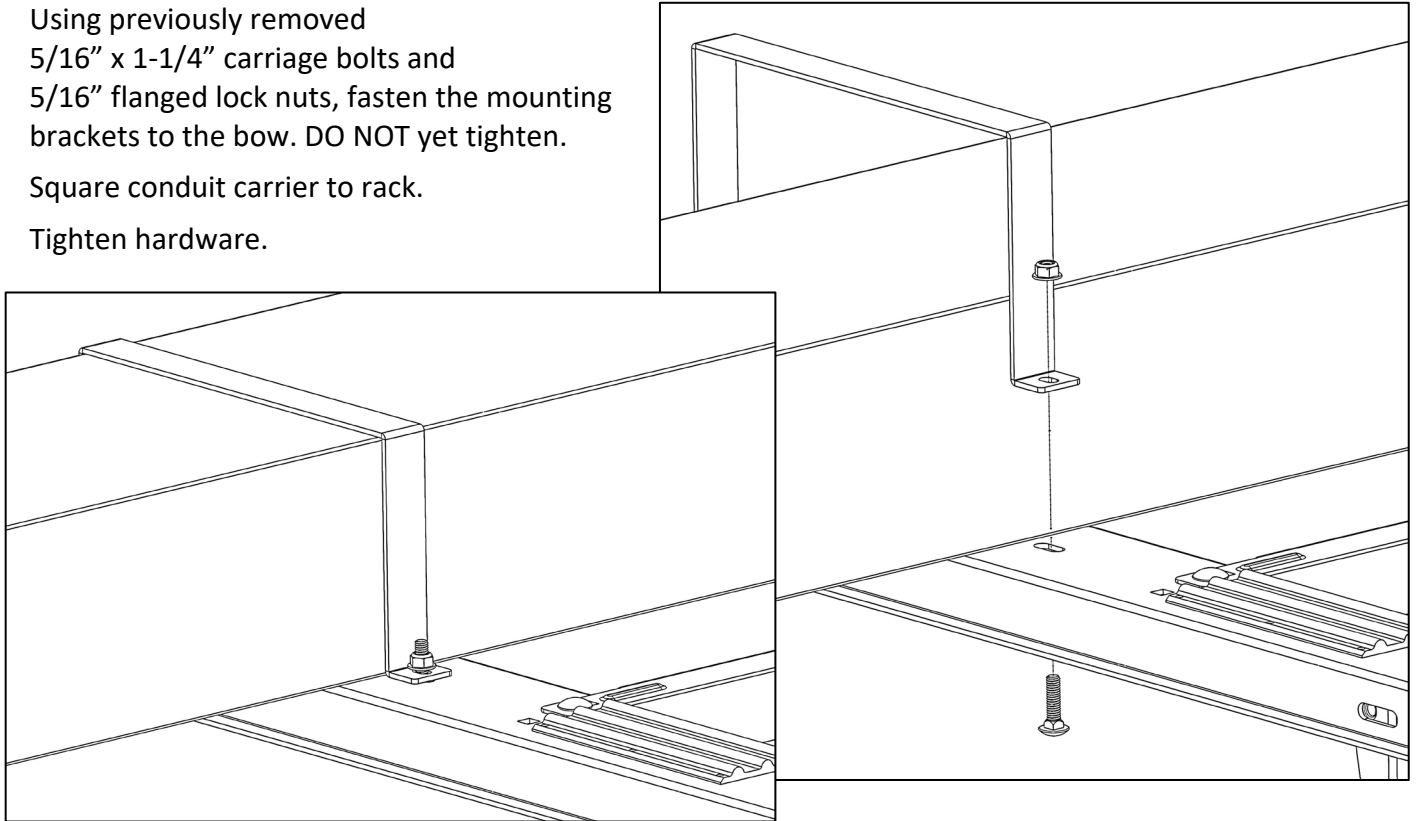


## Step 2A – Install to Van Rack

The following instructions are for mounting to the bows of a van rack. If mounting to a crossbar rack or other manufacturers rack, skip to Step 2B.

**NOTE: Front mounting bracket is a different size than rear mounting bracket. Be sure you have the correct mounting bracket before bolting to rack.**

- Using previously removed 5/16" x 1-1/4" carriage bolts and 5/16" flanged lock nuts, fasten the mounting brackets to the bow. **DO NOT** yet tighten.
- Square conduit carrier to rack.
- Tighten hardware.



**GO BACK AND TIGHTEN ALL HARDWARE.**

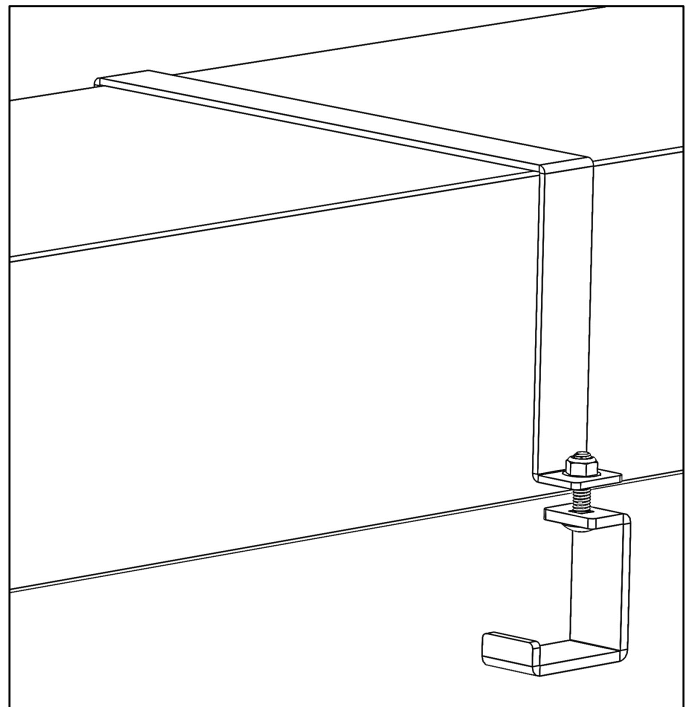
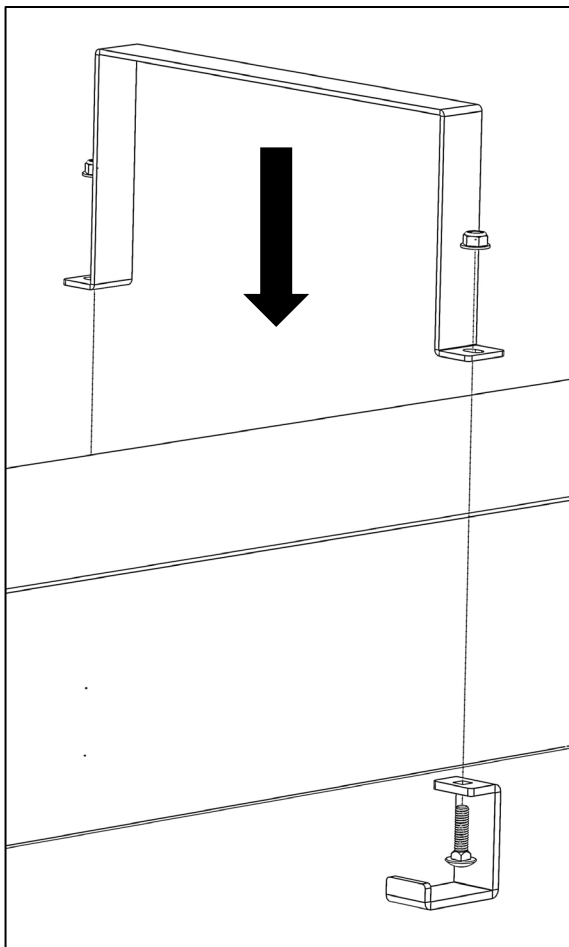
**YOUR INSTALLATION IS COMPLETE.**

## Step 2B – Install to Crossbar Rack

The following instructions are for mounting to a crossbar rack or other manufacturers rack. If mounting to a Kargo Master Clamp and Lock or Drop Down van rack, use Step 2A.

**NOTE: Front mounting bracket is a different size than rear mounting bracket. Be sure you have the correct mounting bracket before bolting to rack.**

- Using previously removed 5/16" x 1-1/4" carriage bolts and 5/16" flanged lock nuts, LOOSELY fasten hooks to each mounting bracket. DO NOT yet tighten.
- Place the conduit carrier in position and square to rack.
- Hook the hooks underneath the crossbars. Be sure the hooks are in position beneath the rack crossbars or rack bows.
- Tighten the nuts on the bolts connecting the mounting hooks to the mounting brackets. **BE SURE CONDUIT CARRIER IS SECURE AND DOES NOT MOVE.**



**GO BACK AND TIGHTEN ALL HARDWARE.**

**YOUR INSTALLATION IS COMPLETE.**