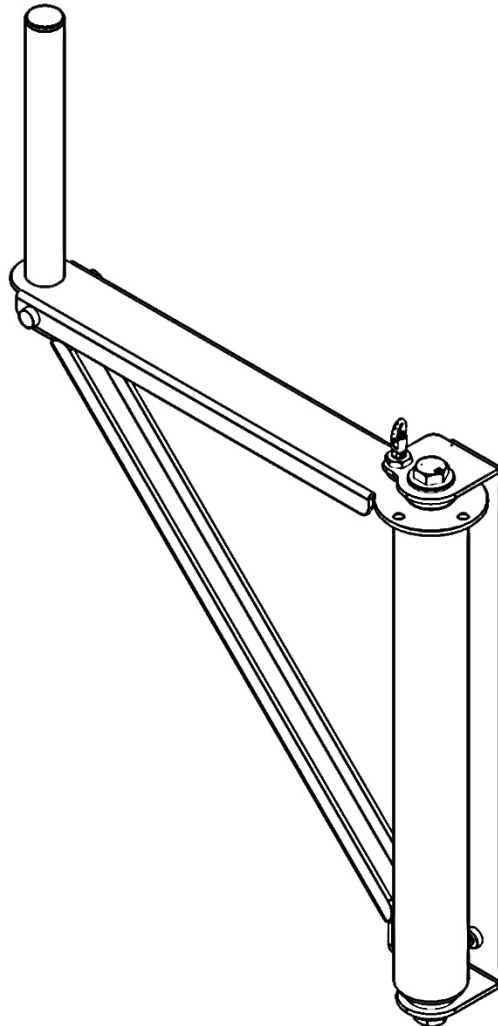


Holman

Instruction Guide 40233



Holman
Rancho Cordova, CA 95742
800-343-7486
InstallationSupport@Holman.com

PLEASE READ ALL INSTRUCTIONS AND WARNINGS PRIOR TO ASSEMBLING, INSTALLING, AND USING THIS PRODUCT.

Warning



Always check for wires, fuel tanks and lines, brake lines and other important vehicle functionality items prior to drilling and installing all products.

Table of Contents

Tools Needed 1

Before You Begin 1

Parts List..... 1

Hardware 2

Step 1 – Align spool Holder with shelf 2

Step 2 – Install..... 3

Tools Needed

10mm Socket and Wrench

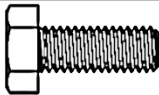


Before You Begin

- Read all instructions prior to assembling or installing any Holman product.
- **Always locate your installation locations prior to performing any work.**
- **ENSURE SAFETY WHILE INSTALLING OR DRILLING INTO VEHICLE OR OTHER PRODUCTS.**

Parts List

NO.	ITEM	PART NUMBER	DESCRIPTION	QTY.
1		101129	SHELF MOUNTED SPOOL HOLDER	1
2		18-101129	MOUNTING HARDWARE	1

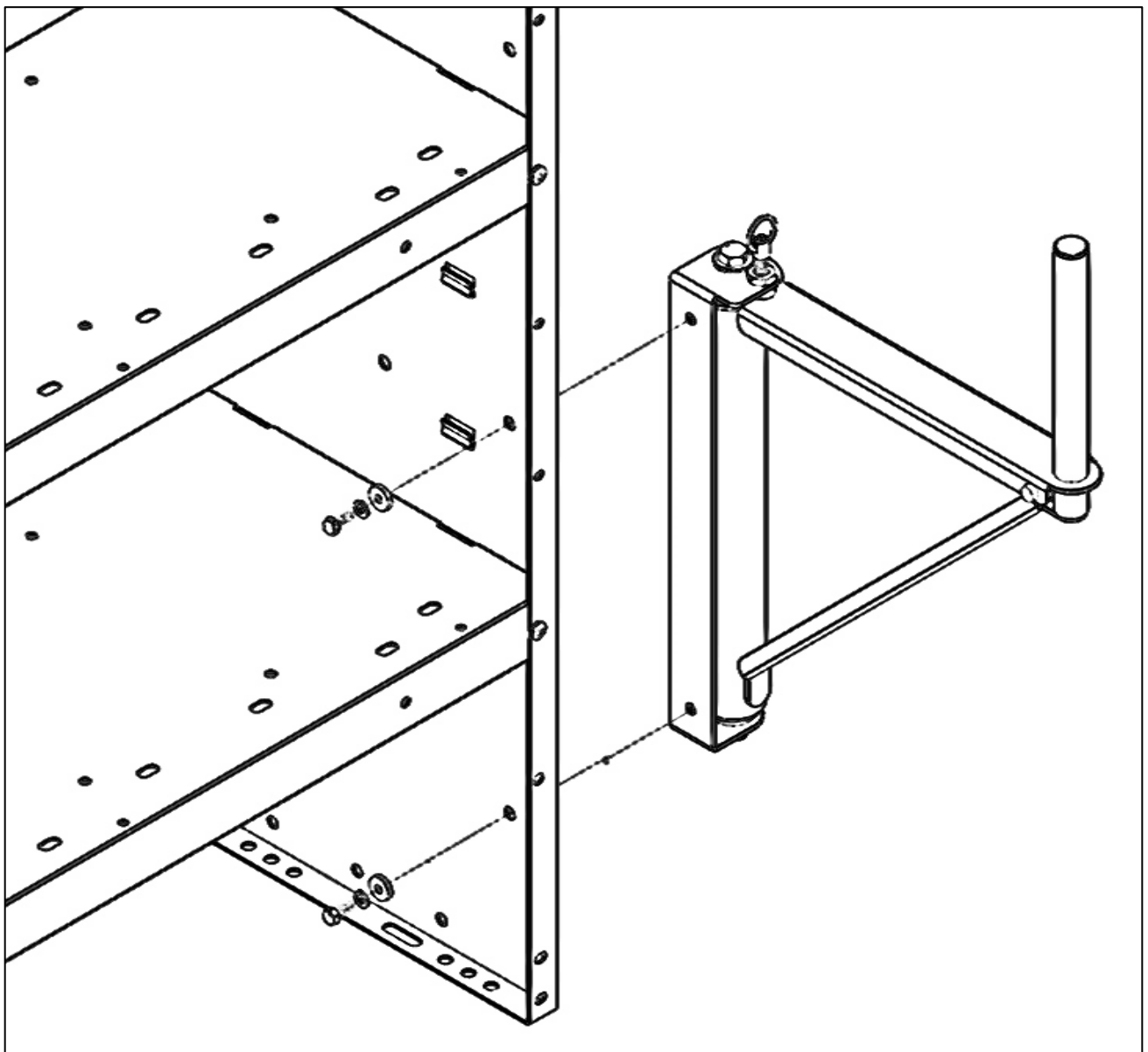
Hardware

ITEM	HARDWARE TO SCALE	PART NUMBER	DESCRIPTION	QTY.
1		91280A064	M6-1.5 X 16MM Long HEX HEAD BOLT	2
2		40381	M6 LOCK WASHER	2
3		38403	M6 Steel Oversized Washer	2

Step 1 – Align Spool Holder With Shelf

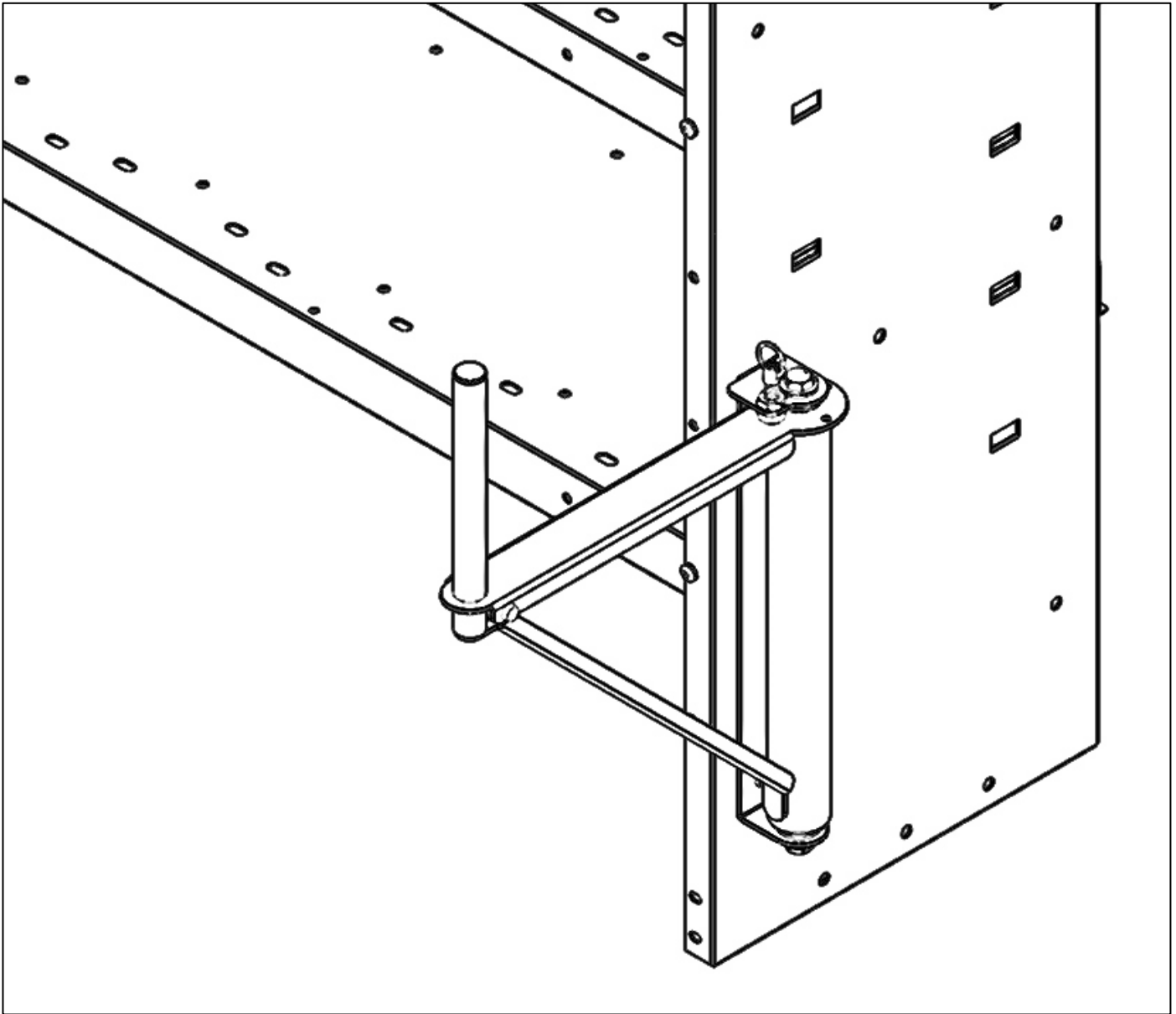
- Align the spool holder with the van interior bottom holes on the shelf.

NOTE: any other location besides the bottom holes will require drilling.



Step 2 – Install

- Using one M6 x 16mm hex head bolt, M6 lock washer, and M6 oversized washer, per hole.
- Tighten the bolts to secure the spool holder to the shelf side.



GO BACK AND TIGHTEN ALL HARDWARE.
INSTALLATION IS COMPLETE.