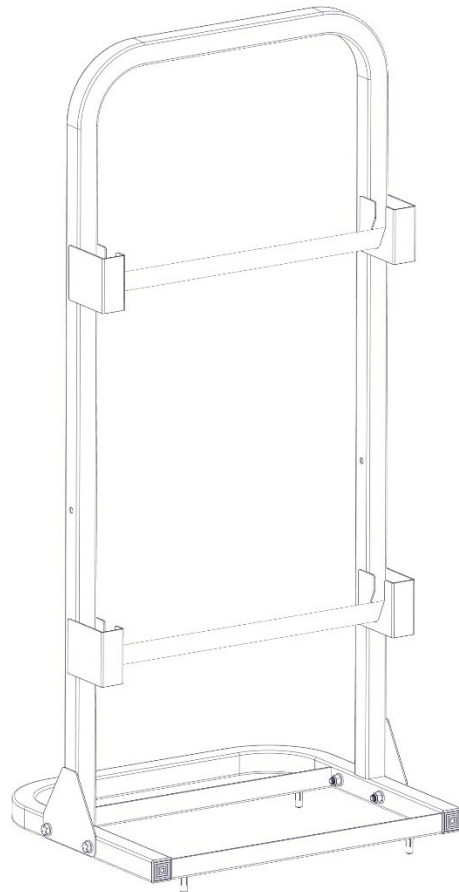

Holman

Installation Guide

40231



Holman
Rancho Cordova, CA 95742
800-343-7486
InstallationSupport@holman.com

***PLEASE READ ALL INSTRUCTIONS AND WARNINGS PRIOR TO ASSEMBLING,
INSTALLING, AND USING THIS PRODUCT***

Warning



Always check for wires, fuel tanks and lines, brake lines and other important vehicle functionality items prior to drilling and installing all products.

Tools Needed

1/2" Wrench and Socket	7/16" Wrench and Socket
25/64" Drill	Hand Drill

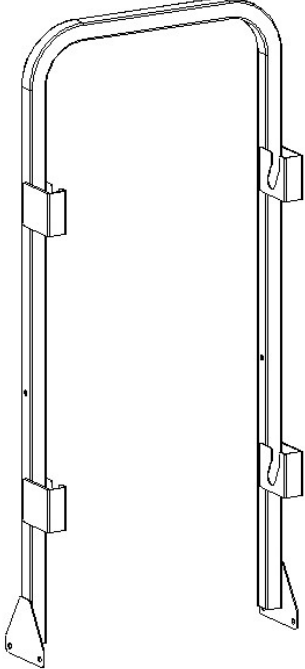
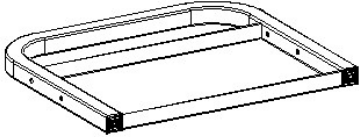
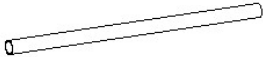
Table of Contents

Parts List	2
Hardware List	3
Step 1 Assemble Holder	4
Step 2 Determine Location	5
Step 3 Install	6
Step 4 Install Tubes	7

Before You Begin

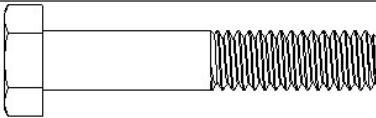
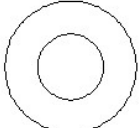
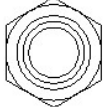
- Read all instructions.
 - ENSURE SAFETY PRIOR TO DRILLING, USE A DRILL STOP.
-

Parts

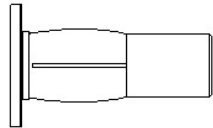
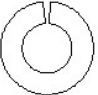

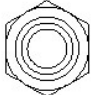
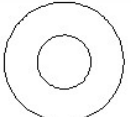
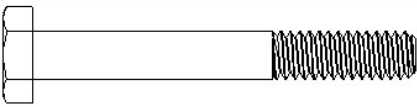
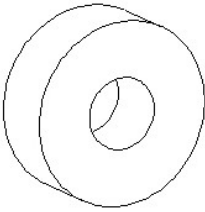
ITEM NO.		PART NO.	DESCRIPTION	QTY.
A		40231-10	CABLE REEL HOOP	1
B		40231-20	CABLE REEL BASE	1
C		40231-00-001	CABLE REEL TUBE	2
		18-40231-A	ASSEMBLY HARDWARE	1
		18-40231-M	MOUNTING HARDWARE	1

Hardware

18-40231-A

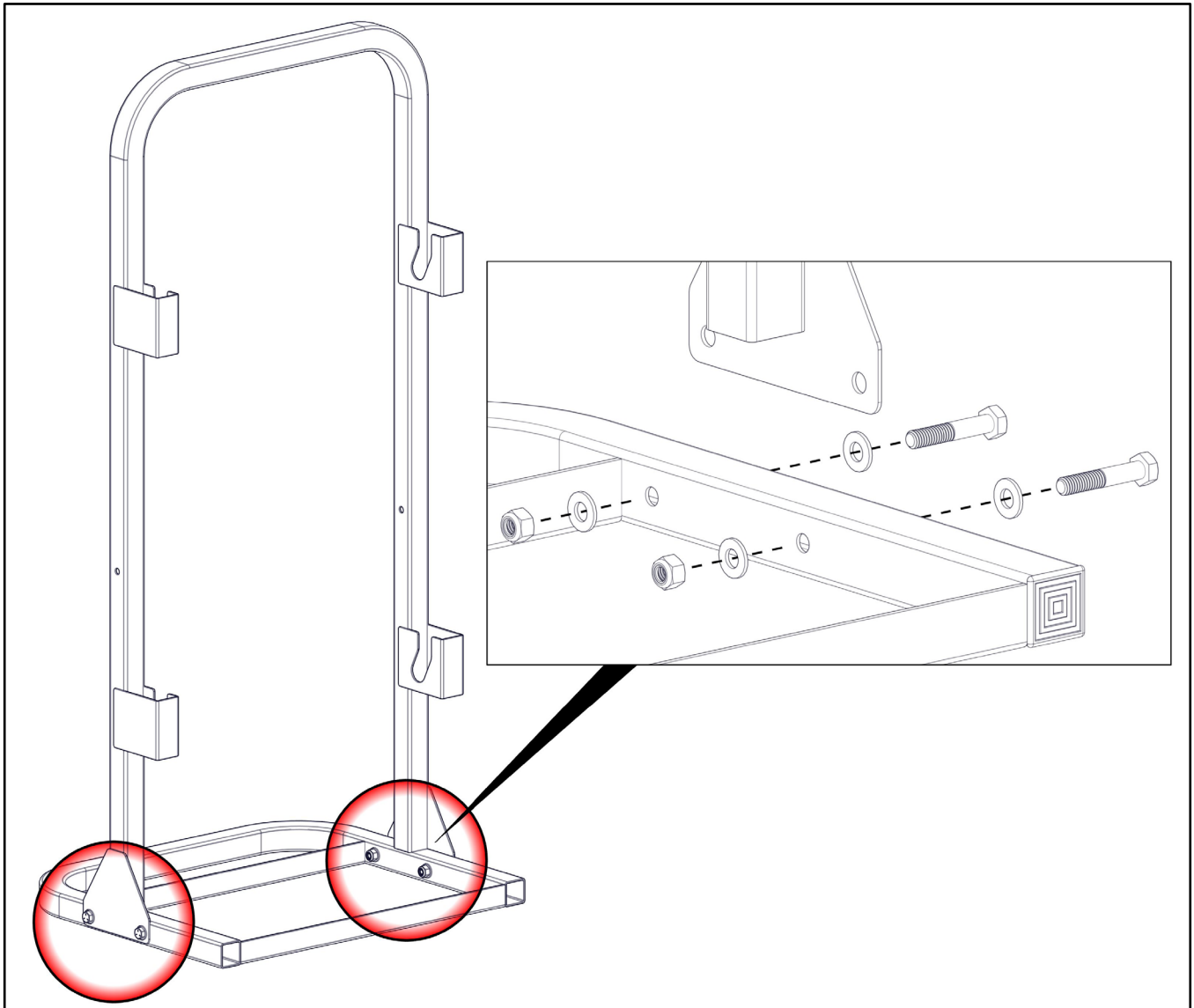
ITEM NO.	TO SCALE	PART NO.	DESCRIPTION	QTY.
1		13010	5/16"-18 X 1-3/4" HEX HEAD BOLT	4
2		11541083	5/16" WASHER	8
3		0169777	5/16"-18 NYLOC	4

18-40231-M

ITEM NO.	TO SCALE	PART NO.	DESCRIPTION	QTY.
1		99894759	1/4"-20 PLUSNUT	4
2		0123494	1/4"-20 LOCK WASHER	4
3		11241167	1/4"-20 x 1-1/4" HEX HEAD BOLT	4
4		0169789	1/4"-20 NYLOC NUT	2
5		11541082	1/4" FLAT WASHER	8
6		11241169	1/4"-20 x 2" HEX HEAD BOLT	2
7		-	3/8" ID 1" OD NYLON SPACER	4

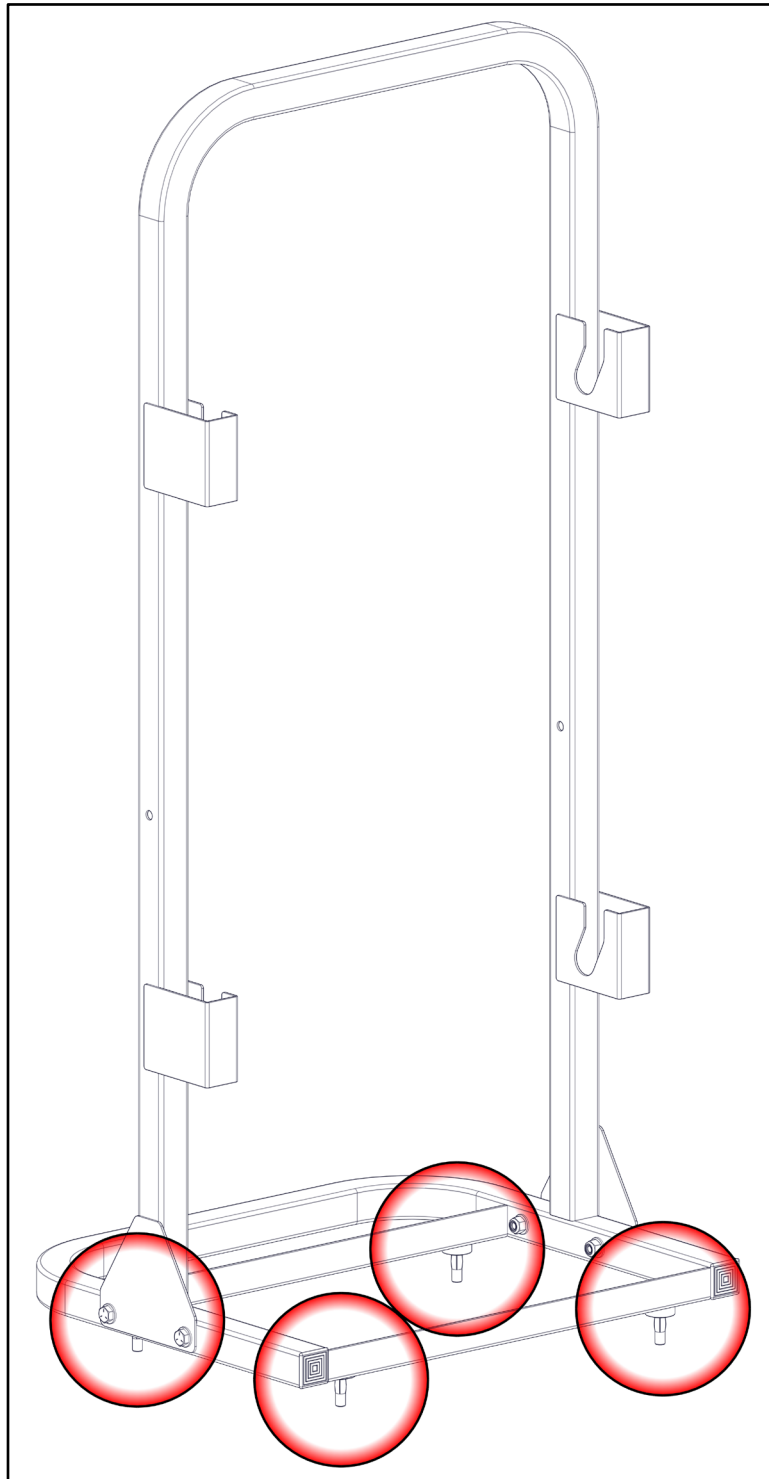
Step 1 – Assemble Holder

- Place the reel hoop on top of the reel base in the orientation shown.
- Bolt the hoop to the base using 5/16" x 1-3/4" hex head bolts, 5/16" flat washers and 5/16" nyloc nuts, in the orientation shown.
- Repeat for a total of 4 times.
- TIGHTEN.



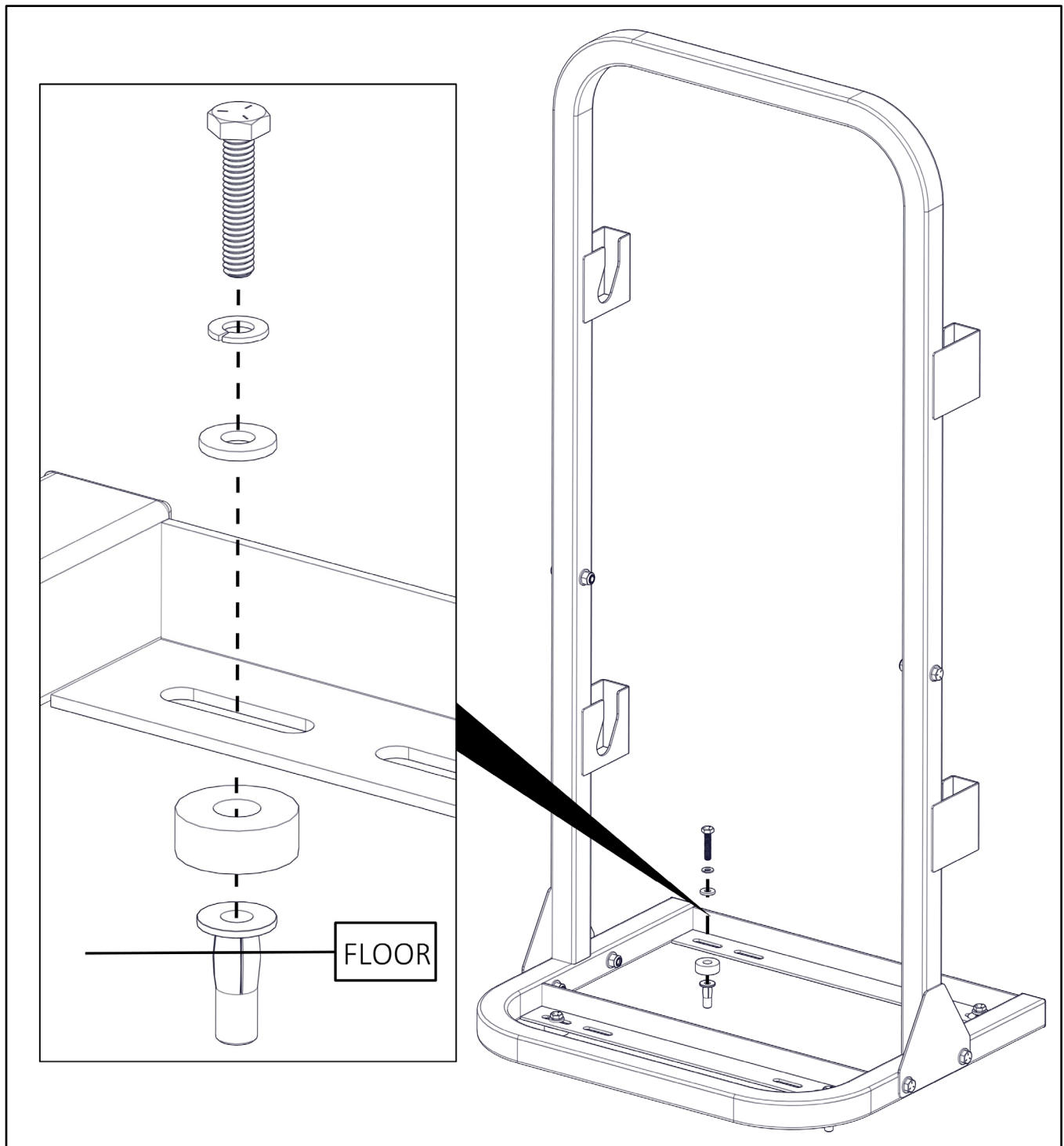
Step 2 – Determine Location

- Place reel holder into the vehicle in the desired location. Ensure it is a safe place to drill into the floor in the four locations shown below on the reel holder.
- If the reel holder sits on top of a ridge in the floor, use a nylon spacer to take up the vacant space underneath the base to provide a rigid mount.
- Mark the floor through the slots in the reel holder in the desired locations.



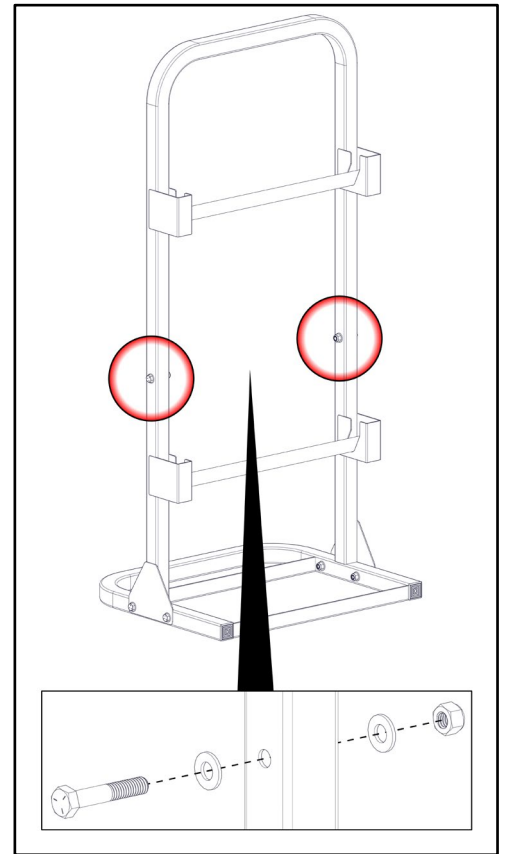
Step 3 – Install

- Remove the reel holder.
- Drill with a 25/64" bit. **ENSURE SAFETY PRIOR TO DRILLING, USE A DRILL STOP.**
- Install the plus nuts.
- Place the reel holder on top of the installed plus nuts and attach using 1/4" x 1-1/4" hex heads, 1/4" split lock washers and 1/4" flat washers. Use the nylon washer underneath the reel holder if needed.
- Tighten into the plusnut.



Step 4 – Install Tubes

- Place reel tubes in place.
- Use the remaining hardware and the holes in the reel hoop to attach to a partition, shelf unit or support brackets to provide ultimate installation strength.



Ensure all bolts are tight.

Installation is now complete.

