

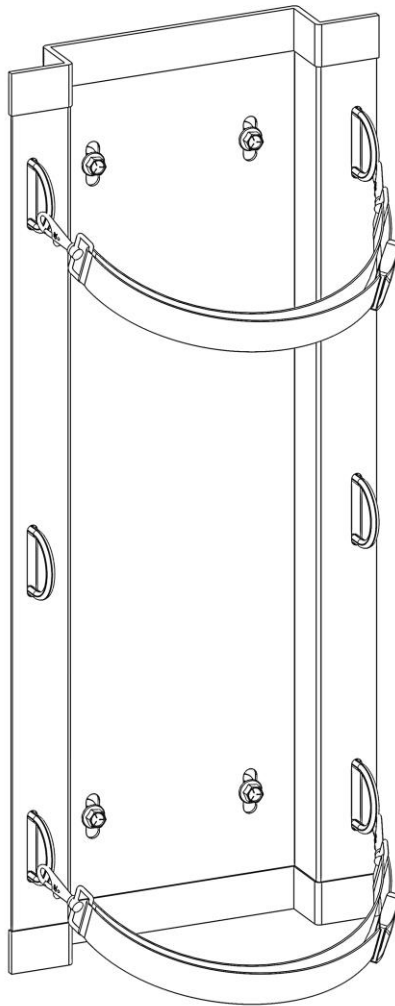
# Holman

---

## Installation Guide

### 40201

---



---

Holman  
Rancho Cordova, CA 95742  
800-343-7486  
InstallationSupport@Holman.com

**\* PLEASE READ ALL INSTRUCTIONS AND WARNINGS PRIOR TO ASSEMBLING, INSTALLING, AND USING THIS PRODUCT. \***

## Warning



Always check for wires, fuel tanks and lines, brake lines and other important vehicle functionality items prior to drilling and installing all products.

## Tools Needed

7/16" Socket and Wrench	17/64" or H Drill Bit
Drill	

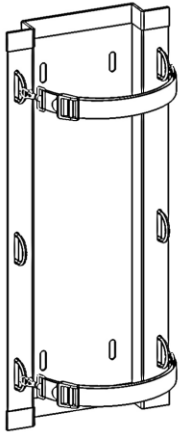
## Table of Contents

Parts List.....	1
Hardware .....	2
Step 1 – Install Tall Adjustable Tank Strap .....	2
Step 2 – Strap Adjustment.....	3

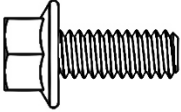

## Before You Begin

- Read all instructions prior to assembling or installing any Holman product.
- Be sure to put sealant around all threads entering cargo area to prevent water leaking into cargo area.
- Verify clearance around installation area for tank before installation.

## Parts List

ITEM NO.	ITEM	PART NUMBER	DESCRIPTION	QTY
1		100860	ADJUSTABLE TANK STRAP, TALL	1
2		18-40201	HARDWARE KIT	1

## Hardware

ITEM	HARDWARE TO SCALE	PART NUMBER	DESCRIPTION	QTY.
1		11126953	1/4"-20 X 5/8" FLANGED HEX HEAD	4
2		0167030	1/4"-20 FLANGED LOCK NUT	4

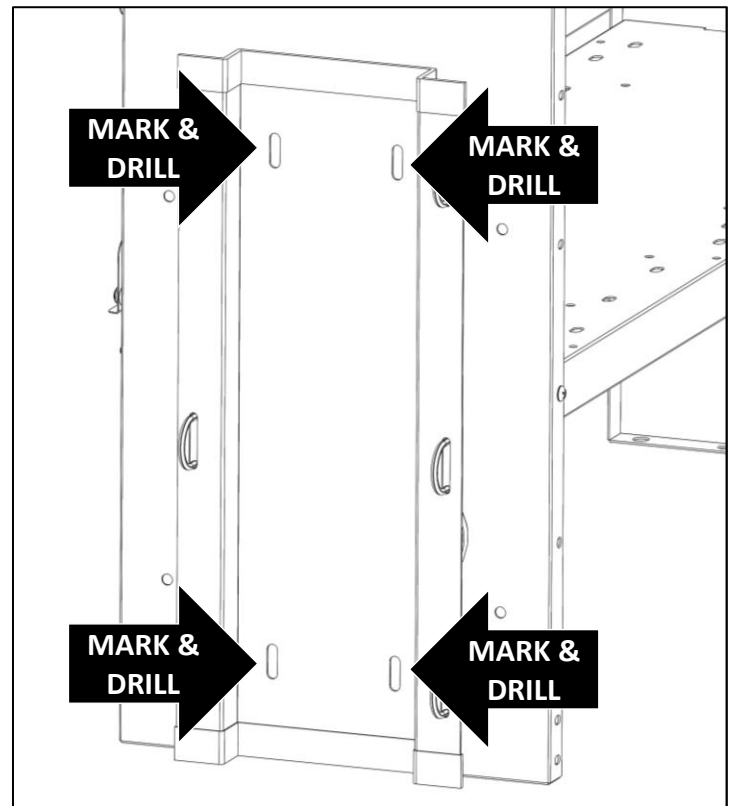
### Step 1 – Install Tall Adjustable Tank Strap

- Determine proper installation location.
- Verify clearance around installation area for tank before installation.



**Installing the adjustable tank strap requires holes be drilled through installation surface, so make sure the following clearances and warnings are met.**

- **Be sure there is proper clearance behind installation surface for bolts and nuts to be installed.**
  - **Be sure there is there is no electrical wiring or fuel lines behind locations marked.**
- Remove straps.
  - Set tank strap bracket in place.
  - Mark the location of the four slots onto the installation surface.
  - Set aside tank strap bracket.
  - Using a 17/64" (or H) drill bit, drill a hole through the installation surface at each location marked.



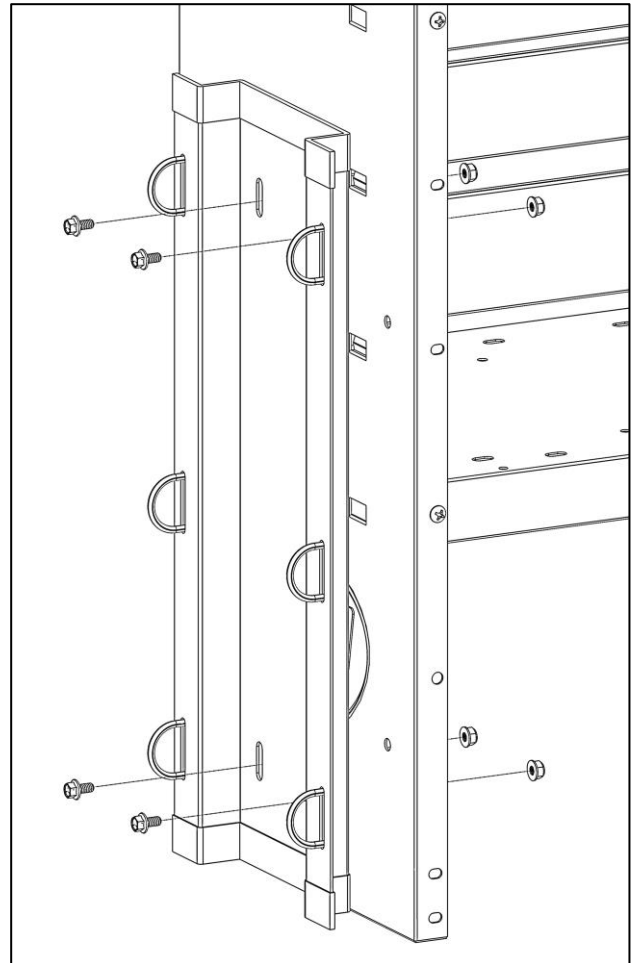
- Using four 1/4" x 5/8" flanged hex head screws and four 1/4" flanged lock nuts, install tank strap bracket onto installation surface.
- TIGHTEN all hardware.
- Attach straps.

**NOTE: Straps may be used in any of the three sets of rings, depending on tank in use. Taller tanks should use top rings for stability.**

---

## **Step 2 – Strap Adjustment**

- To tighten strap, pull on strap.
- To loosen strap, pull outward on strap adjuster flange.



**GO BACK AND ENSURE ALL HARDWARE IS TIGHTENED.**

**ASSEMBLY IS COMPLETE.**