

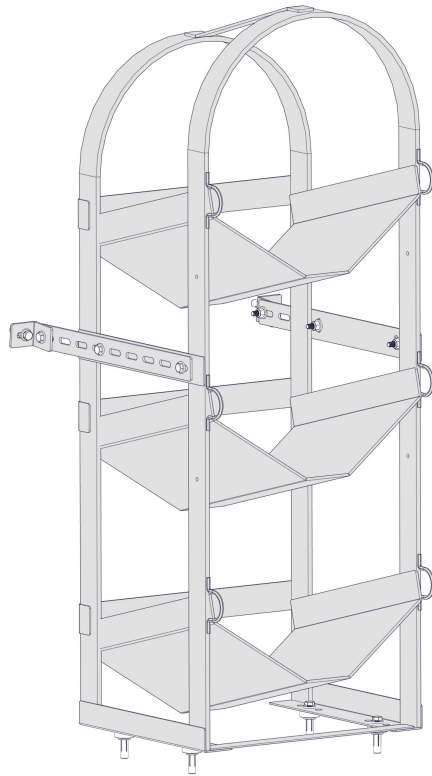
---

# Holman

---

## Instruction Guide 40200

---



---

Holman  
Rancho Cordova, CA 95742  
800-343-7486  
InstallationSupport@Holman.com

---

**\*PLEASE READ ALL INSTRUCTIONS AND WARNINGS PRIOR TO ASSEMBLING,  
INSTALLING, AND USING THIS PRODUCT\***

## Warning



Always check for wires, fuel tanks and lines, brake lines and other important vehicle functionality items prior to drilling and installing all products.

## Tools Needed

7/16" Socket and Wrench	1/2" Socket and Wrench
1/4" Drill	25/64" Drill
Drill Stop	

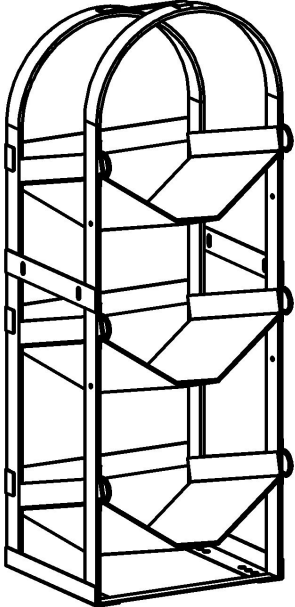
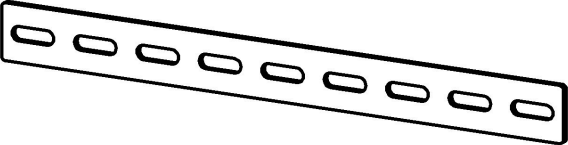
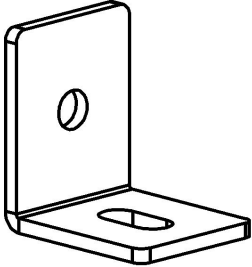
## Table of Contents

Parts List .....	3
Hardware .....	4
Step 1 – Determine Mounting Location .....	5
Step 2 – Mount to Floor .....	5-6
Step 3a – Attachment .....	7
Step 3b – Attach Using Brackets .....	8-10
Recommended Attachment .....	11


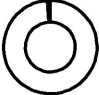
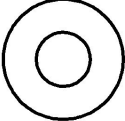

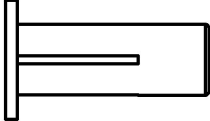
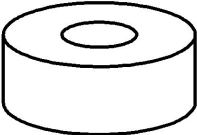
## Before You Begin

- Read all instructions.
- Use best judgment to ensure tank rack is properly secured.
- Use a combination of installation locations and methods to securely mount the tank rack.

## Parts

ITEM NO.		PART NUMBER	DESCRIPTION	QTY.
A		40200-10	3 Tier Assembly	1
B		40200-00-001	Mounting Strap	2
C		40200-00-002	Mounting Angle Bracket	2
		18-40x00	Tank Rack Hardware	1

## Hardware

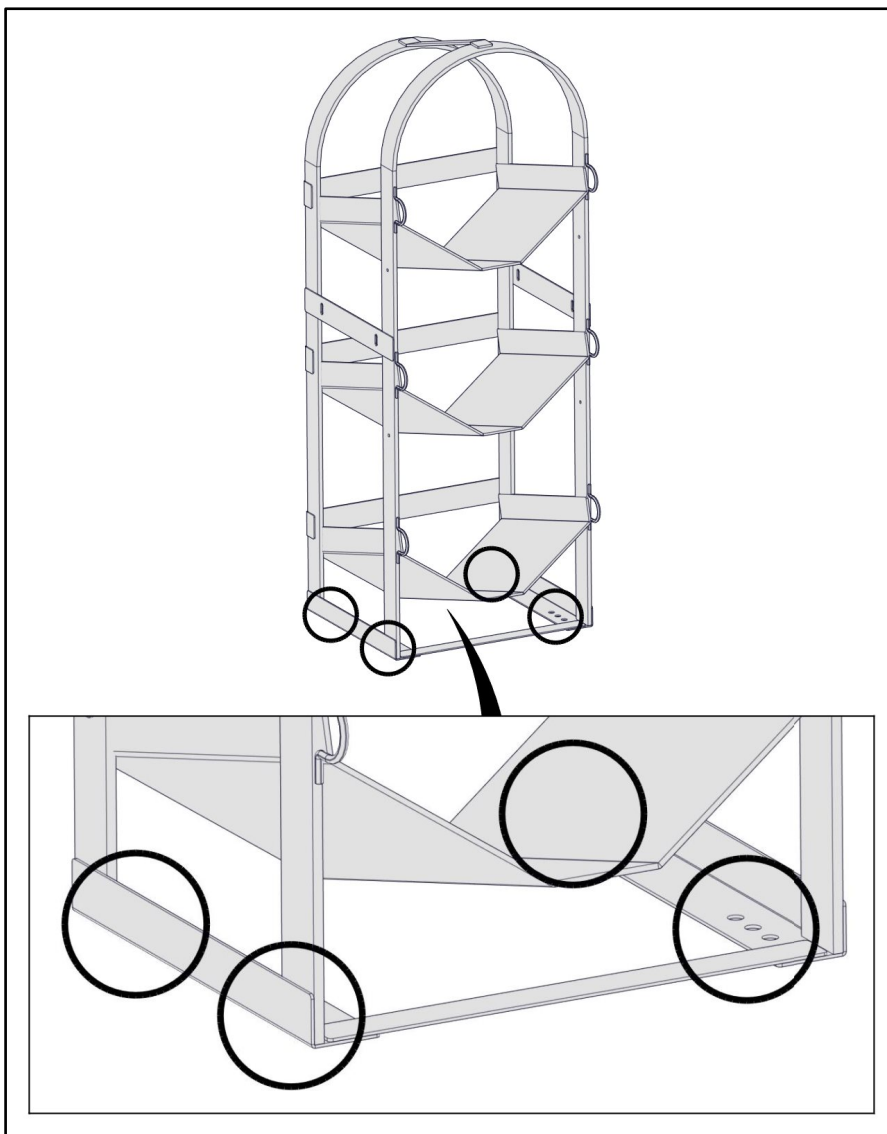
ITEM NO.	TO SCALE	PART NUMBER	DESCRIPTION	QTY.
1		92865A544	1/4"-20 x 1" Hex Head	12
2		91102A750	1/4" Split Lock Washer	6
3		90126A029	1/4" Flat Washer	18
4		97135A210	1/4"-20 Nyloc Nut	6
5			1/4"-20 Plus Nut	6
6		.375 x 1.0 Nylon Spacer	3/8" Spacer	4

## Step 1 – Determine Mounting Location

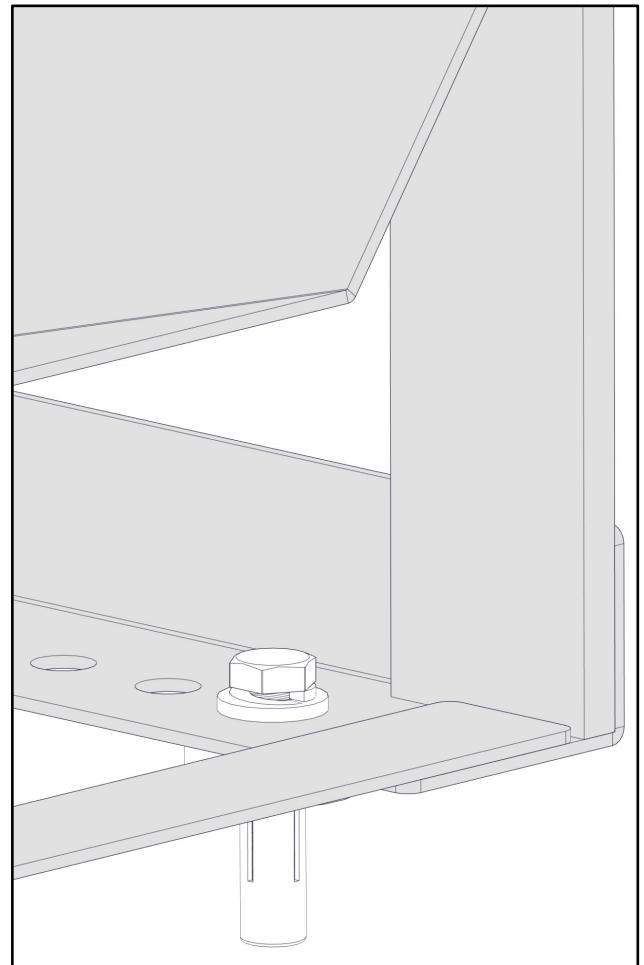
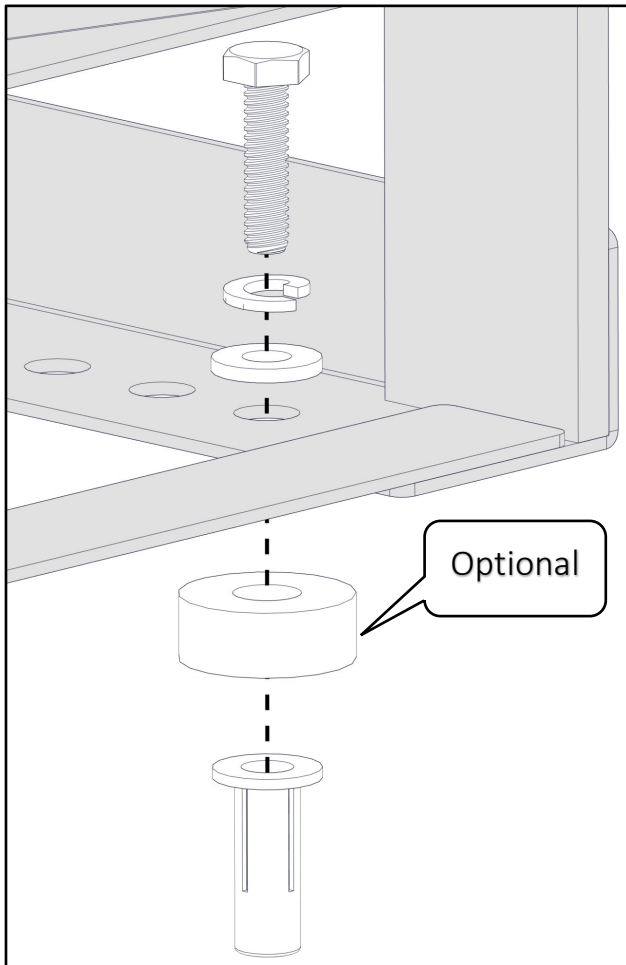
- Determine the desired mounting location for the tank rack to be installed and place into position. Below list some requirements.
  - At least two floor mounting locations free of wiring or critical components in the path of the drilling operation.
  - Ability to mount to side of shelf.
  - Side bracket mounting accessible.

## Step 2 – Mount to Floor

- Prior to mounting to the floor, be sure the rack can be mounted to a shelf as shown in step 3a or directly to the wall as shown in 3b.
- It is required to mount the tank rack to the floor of the vehicle in at least two locations. If possible, mount in four locations.
- In the desired location of the vehicle, mark through the bottom of the tank rack onto a safe location of the floor free of any wiring or critical components in the path of the drilling operation.
- Remove the tank rack to expose the markings. If a mat is in place, remove an area of the mat to expose the metal floor. (A hole-saw is recommended) Prior to drilling check underneath the vehicle to ensure safety.
- Drill a 25/64" hole into the floor. Be sure to use a drill stop to ensure safety when drilling.

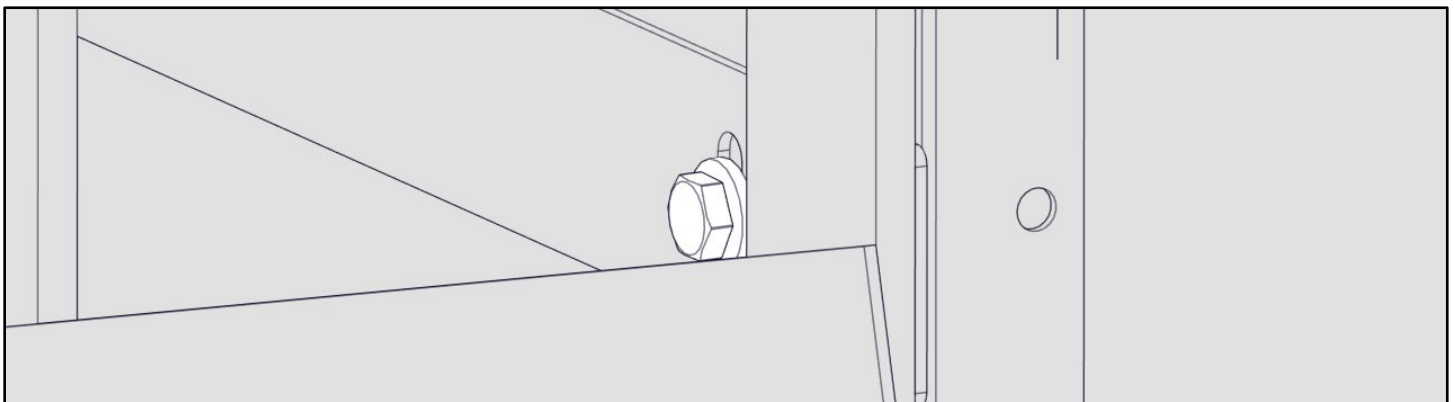
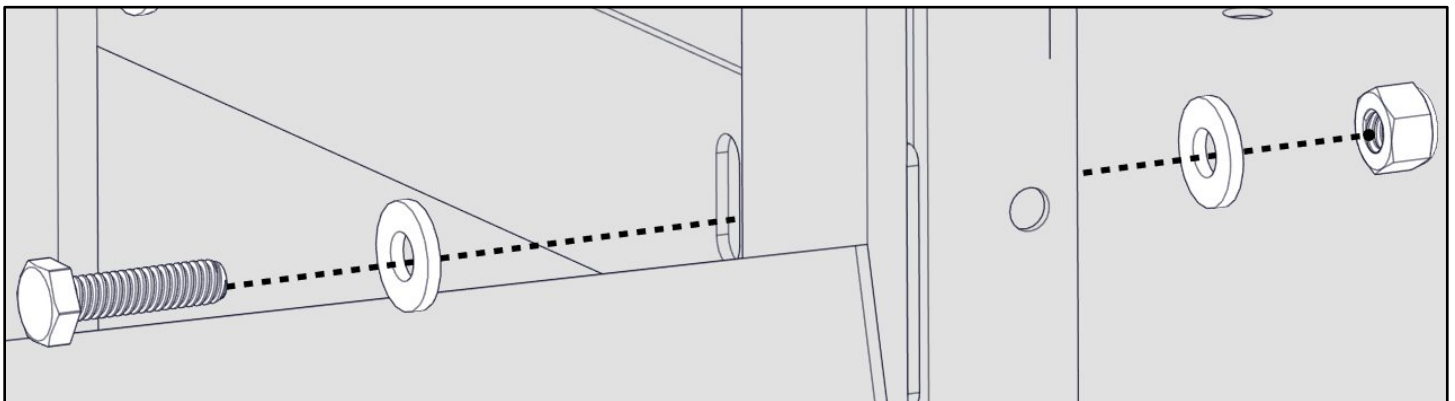
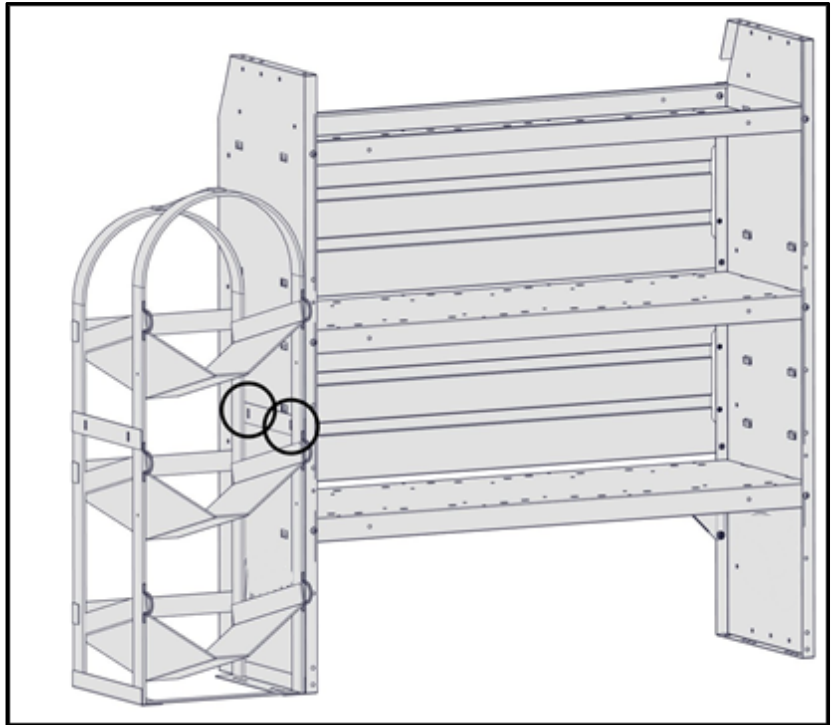


- Install plus nuts into the floor where holes were drilled.
- Place tank rack over the installed plus nuts. Bolt into place using 1/4" x 1" hex head bolts, 1/4" split lock washers and 1/4" flat washers. Use a spacer under the tank rack if needed.



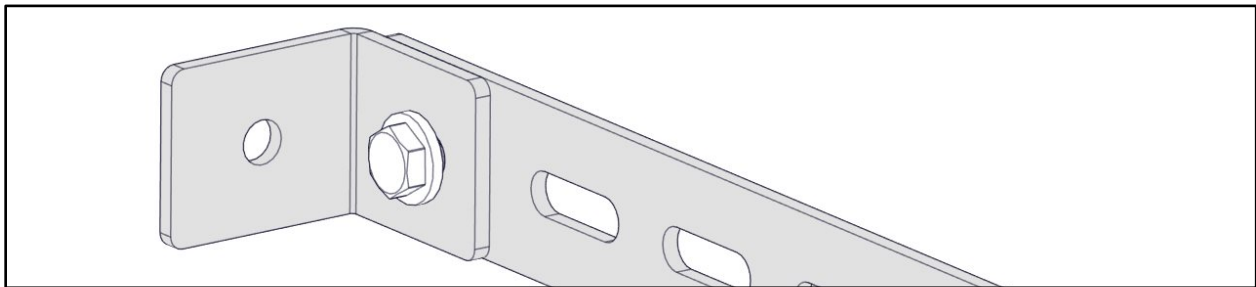
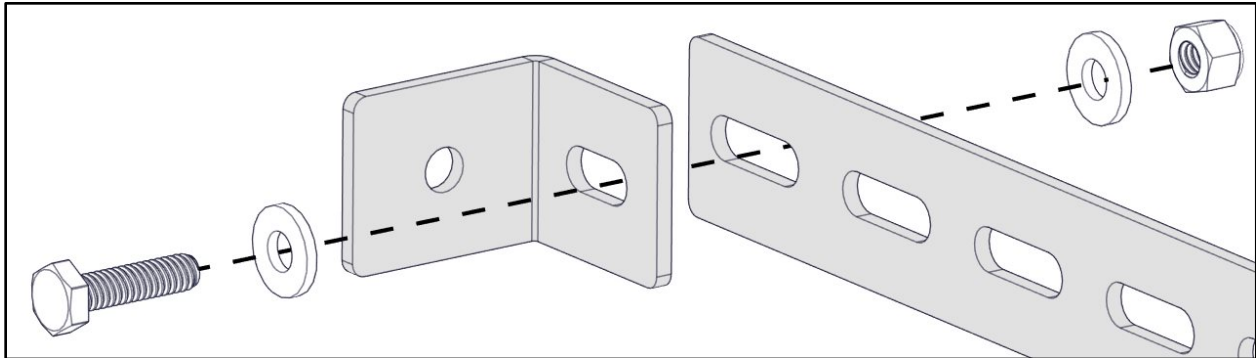
## Step 3a – Attachment to Shelf

- When attaching to a shelf, the location should be set from the previous step.
- Mark onto the shelf through both slots on the tank rack as shown.
- Drill two 1/4" holes in the shelf side where previously marked.
- Attach the tank rack to the shelf using 1/4" x 1" hex head bolts, two 1/4" flat washers and 1/4" nyloc nuts.
- Follow the other steps to securely attach the tank rack.



## Step 3b – Attach Using Brackets

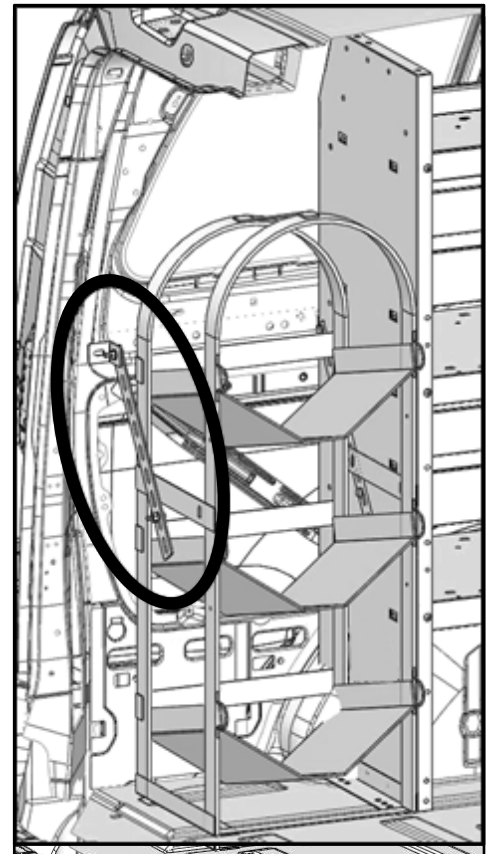
- Mount the angle bracket to one end of the strap using a 1/4" x 1" hex head bolt, two 1/4" flat washers and a 1/4" nyloc nut in the orientation shown.
- Snug tighten, but allow movement between brackets.



- Determine the best mounting location on the wall of the vehicle.
- Place the angle bracket against the chosen mounting location and align the strap with a slot on the side of the tank rack.
- Repeat on both sides of tank rack unless installed next to a shelf unit. See step 3a if the tank rack is mounted next to a shelf unit.

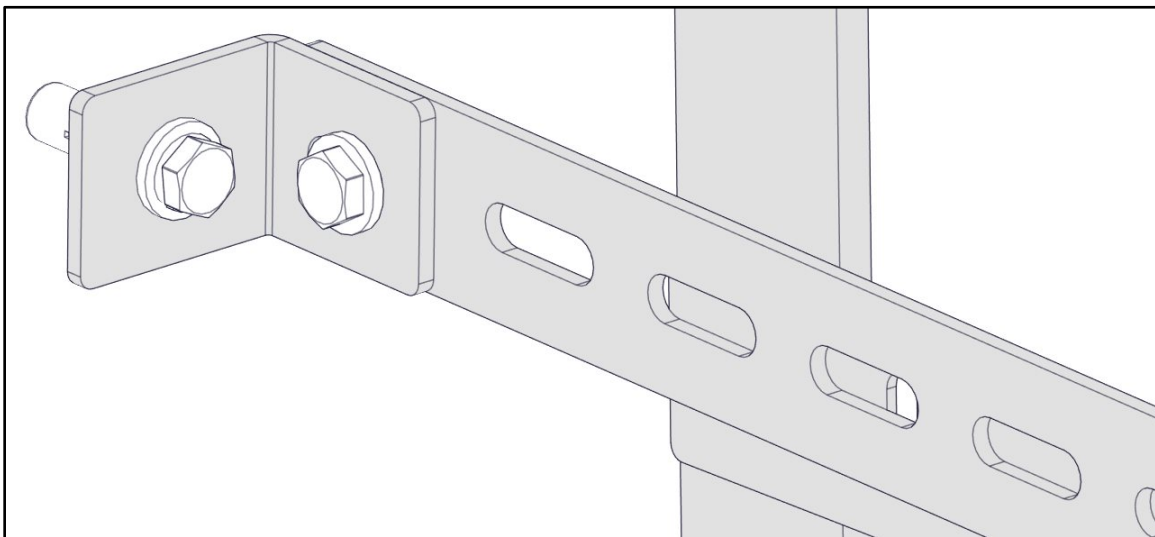
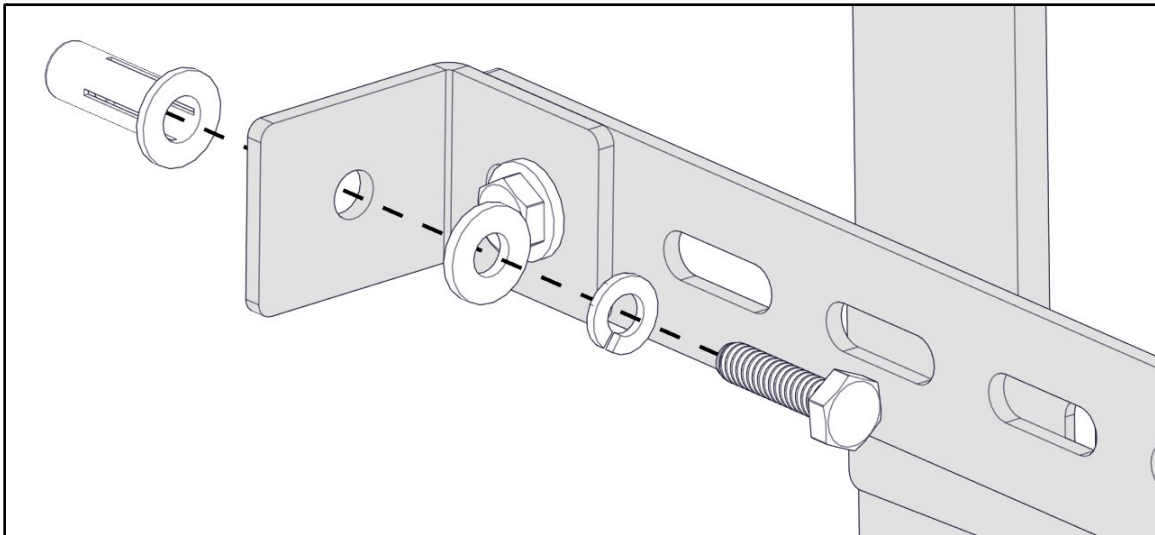
Note: If possible, have both slots on tank rack align with slots on the strap.

Note: If the tank rack is installed to a shelf unit on one side, use these instructions to attach on the free side.

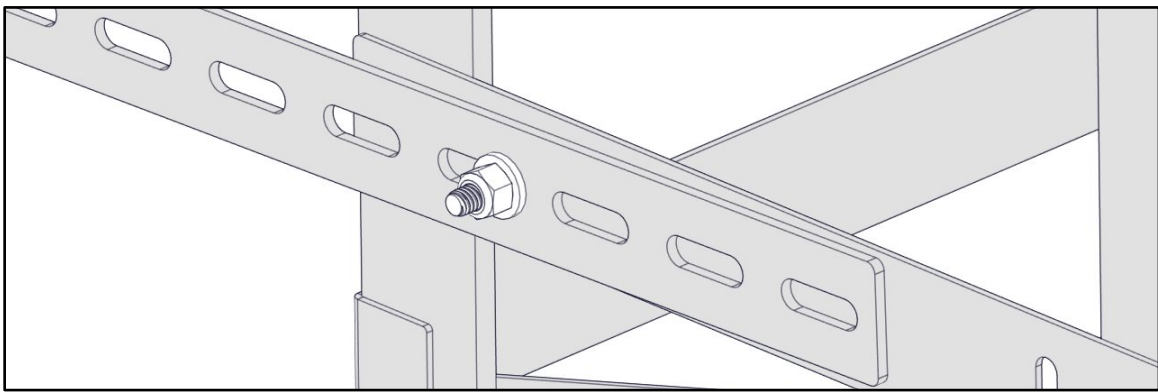
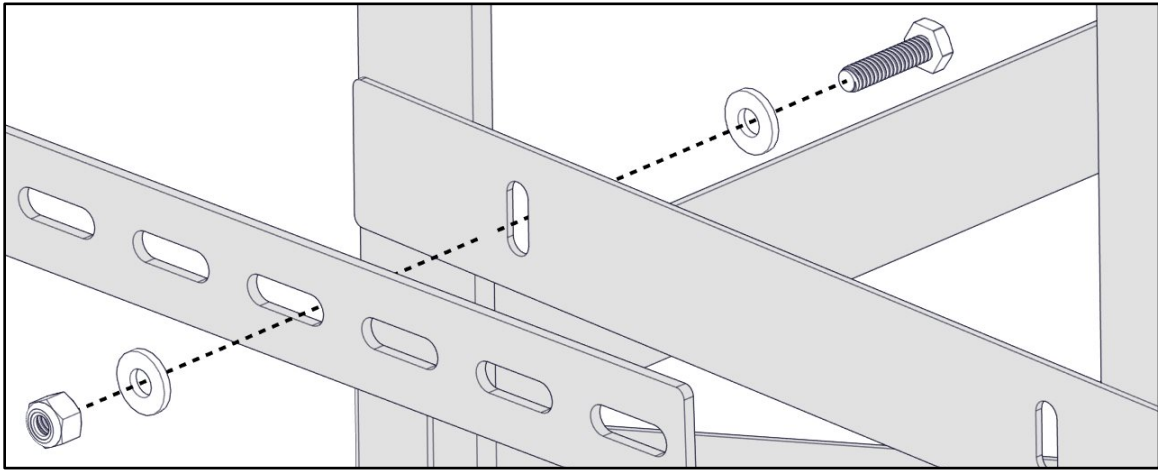




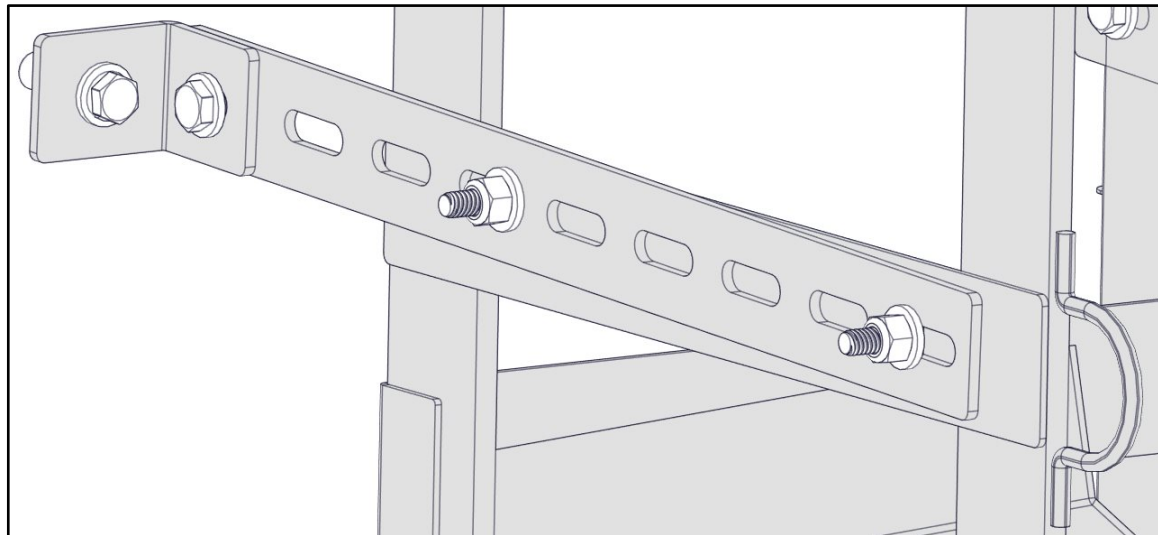
- Place the angle bracket firmly against a solid mounting location. With the strap aligned with a mounting slot on the tank rack, mark through the hole in the angle bracket onto the desired mounting location.
- Expose the markings on the mounting location.
- Prior to drilling, ensure there is no wiring or critical components in the path of the drilling operation. Drill a 25/64" hole. Be sure to use a drill stop to ensure safety when drilling.
- Install plus nuts where the holes were drilled.
- Align the angle bracket with the installed plus nuts. Bolt into place using 1/4" x 1" hex head bolt, 1/4" split lock washer and 1/4" flat washer.



- Mount the strap to the tank rack using a 1/4" x 1" hex head bolt, two 1/4" flat washers and a 1/4" nyloc nut. If possible, mount using both locations on the tank rack strap.
- Snug tighten, but allow movement.

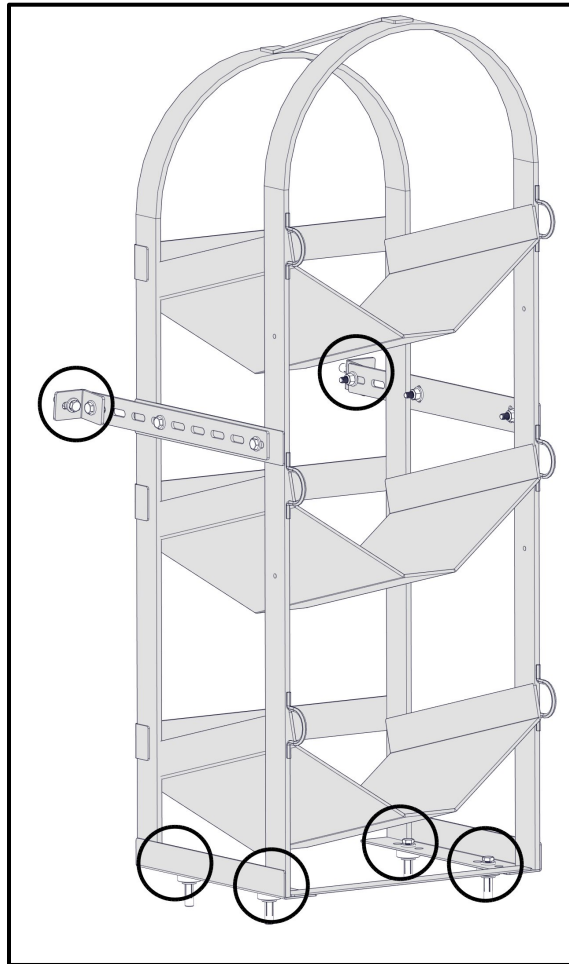


Both mounting locations are used in the image below.



## Recommended Attachment

- It is recommended to attach the tank rack at all possible locations.
- Ensure safety if drilling into the floor.



Ensure all hardware is tight  
Installation is now complete.