

Holman

Installation Guide

40190



Holman
Rancho Cordova, CA 95742
800-343-7486
InstallationSupport@Holman.com

PLEASE READ ALL INSTRUCTIONS AND WARNINGS PRIOR TO ASSEMBLING, INSTALLING, AND USING THIS PRODUCT.

Warning



Always check for wires, fuel tanks and lines, brake lines and other important vehicle functionality items prior to drilling and installing all products.

Tools Needed

7/16" Socket and Wrench	5/16" Socket and Wrench
Phillips Driver	3/16" Drill (optional)

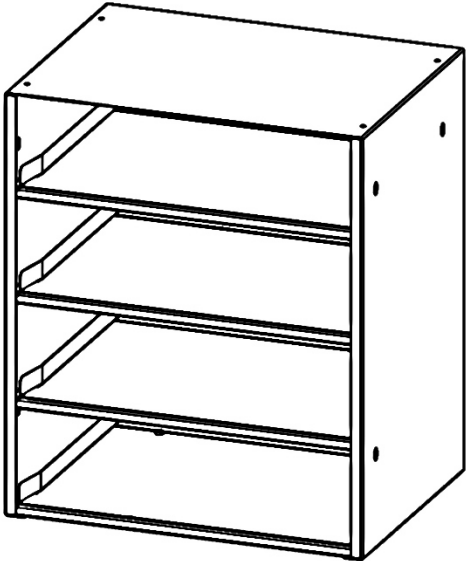
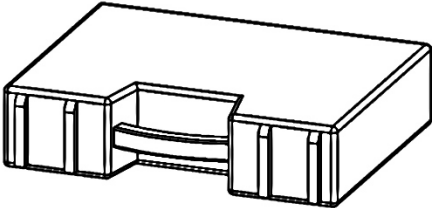
Table of Contents

Parts List	2
Hardware List	2
Step 1 – Place Case Cabinet	3
Step 2 – Mount Case Cabinet to Shelf	3-4
Step 3 – Mount Case Cabinet to Short Locker	5
Step 4 – Tighten Hardware	6

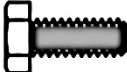
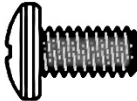
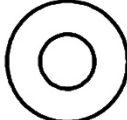

Before You Begin

- Read all instructions.
- Ensure safety when drilling into shelf, or screwing into floor.
- In some situations, not all mounting locations will be used. Use your best judgment to ensure the case cabinet is secured properly.
- The case cabinet was designed to be mounted on top of the short cabinet locker (40170) and next to a 46" high shelving unit.
- This is not necessarily needed to install the case cabinet, but some drilling may be needed to install in other places. The case cabinet may be installed at the users discretion. Ensure the case cabinet is securely fastened prior to transportation.

Parts

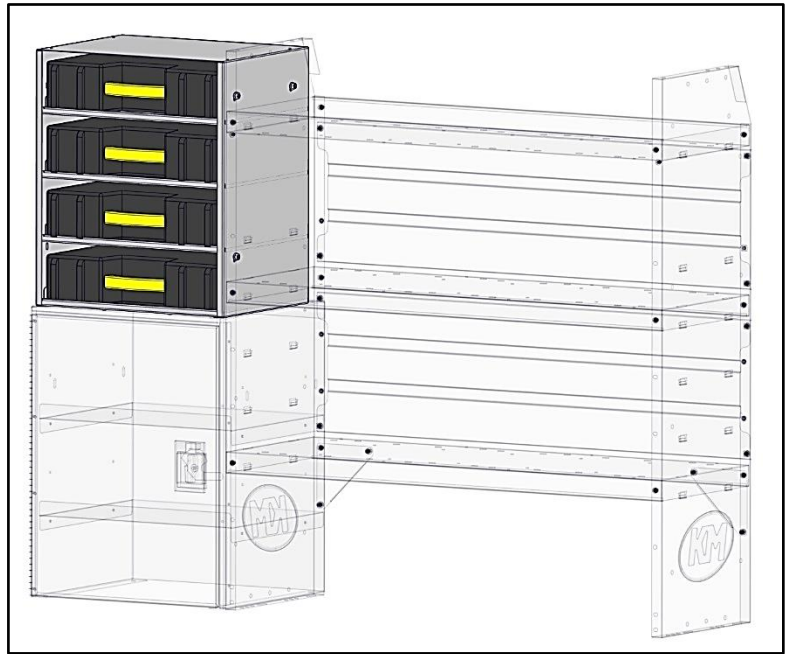
ITEM NO.		PART NUMBER	DESCRIPTION	QTY.
A		40190-10	Shell Assembly	1
B		40351	Large Kargo Case	4
		18-40190	Hardware Kit	1

Hardware

ITEM NO.	TO SCALE	PART NUMBER	DESCRIPTION	QTY.
1		93075A242	No.10-24 x 1/2" Hex Head	4
2		92865A537	1/4"-20 x 1/2" Pan Head Machine Screw	3
3		90126A029	1/4" Flat Washer	3
4		95462A029	1/4"-20 Nut	3

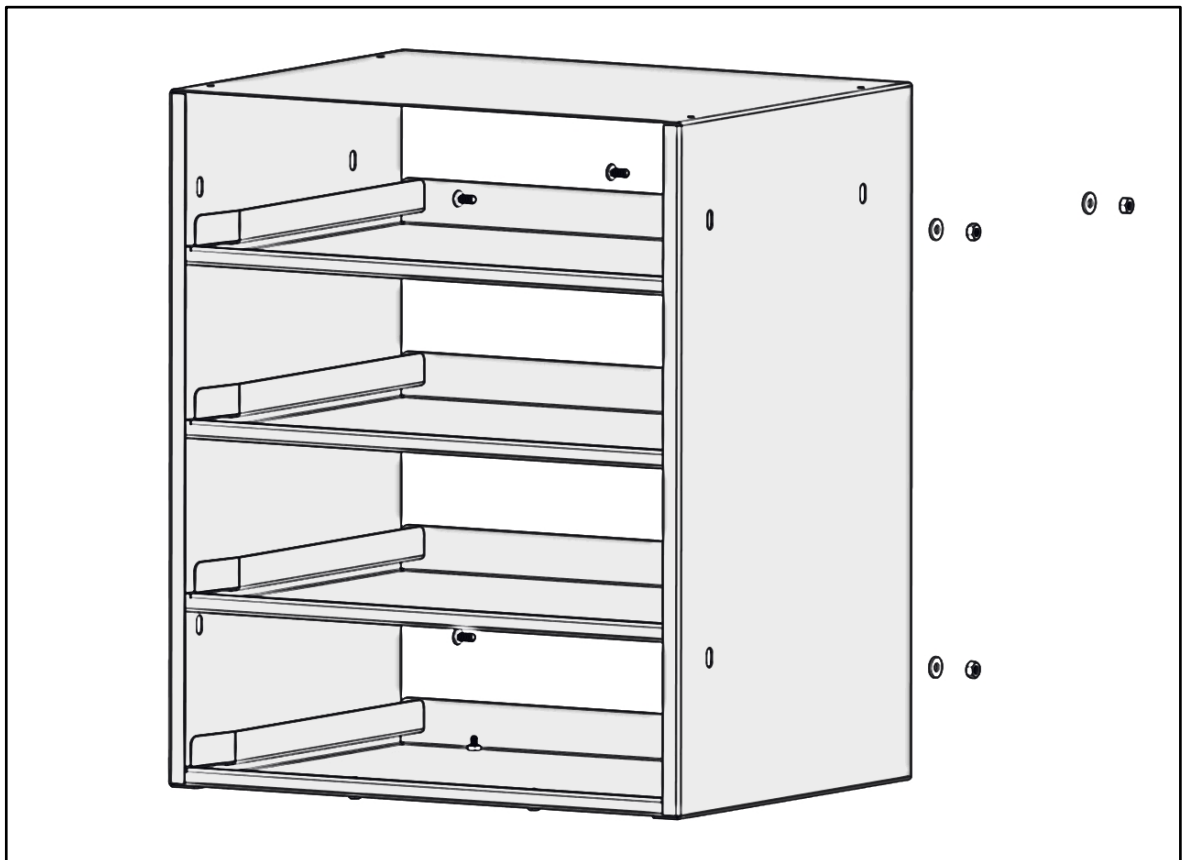
Step 1 – Place Case Cabinet

- Place case cabinet on top of short locker and next to 46" high shelf unit

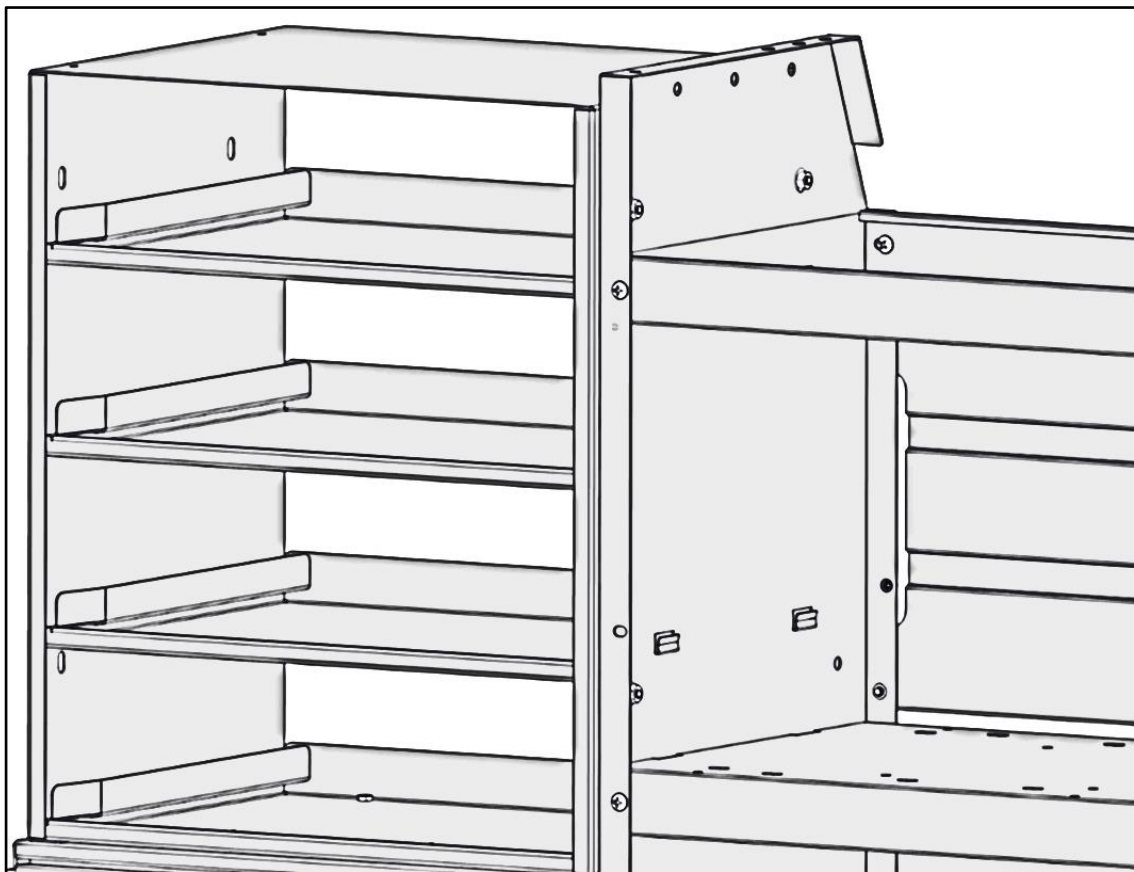
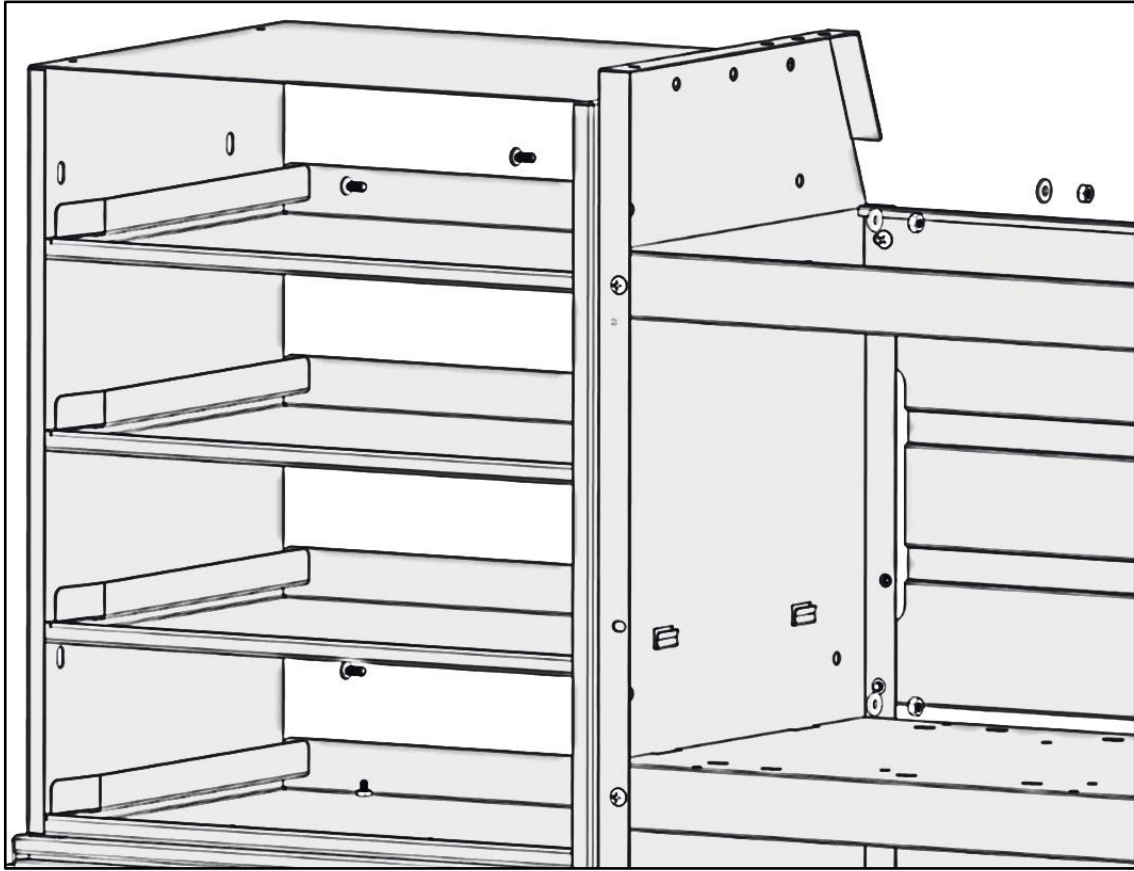


Step 2 – Mount Case Cabinet to Shelf

- Bolt through the side of the case cabinet and the corresponding holes in the shelf unit using 1/4" x 1/2" cap head, 1/4" flat washer and 1/4" nut. Be sure the nut goes on the side of the shelving unit.
- DO NOT TIGHTEN at this moment.

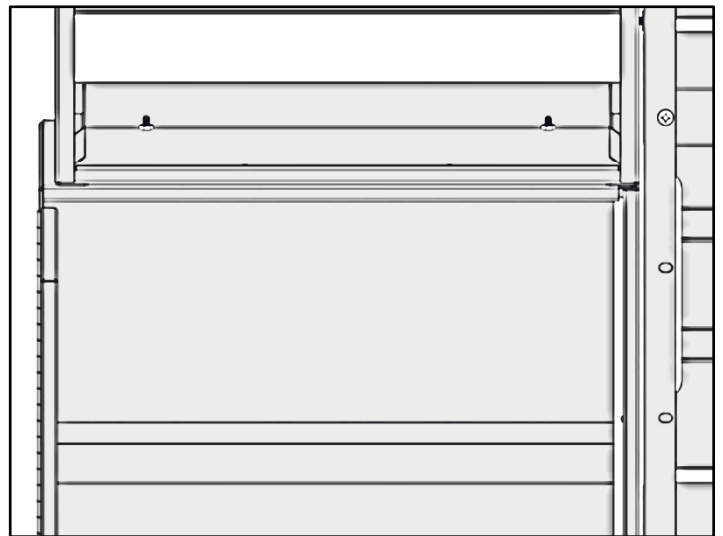
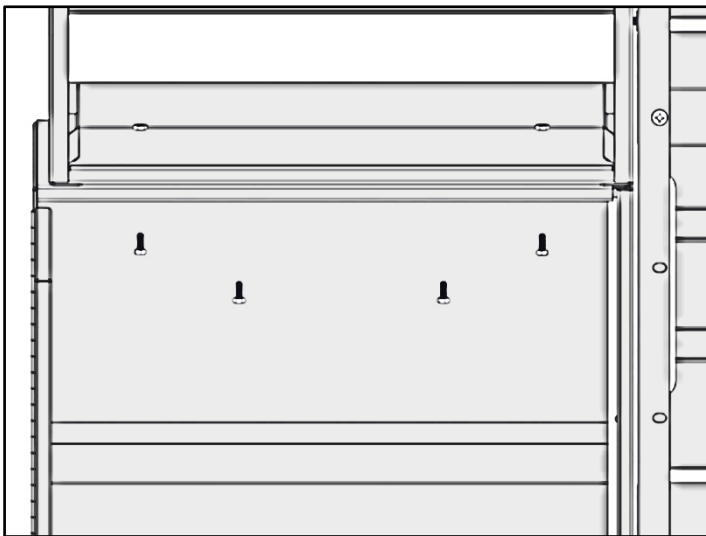
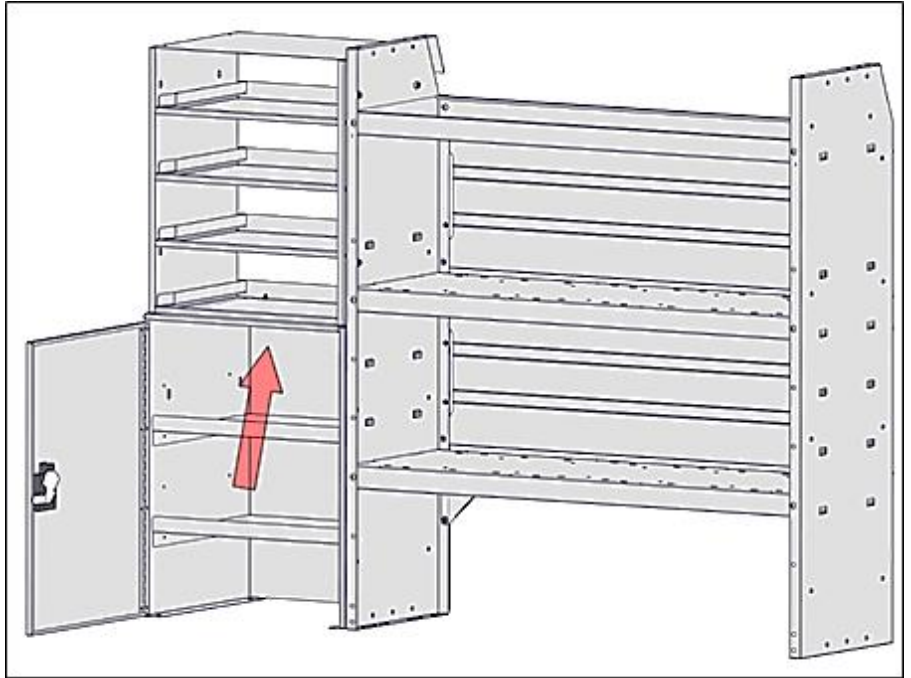


Step 2 – Continued



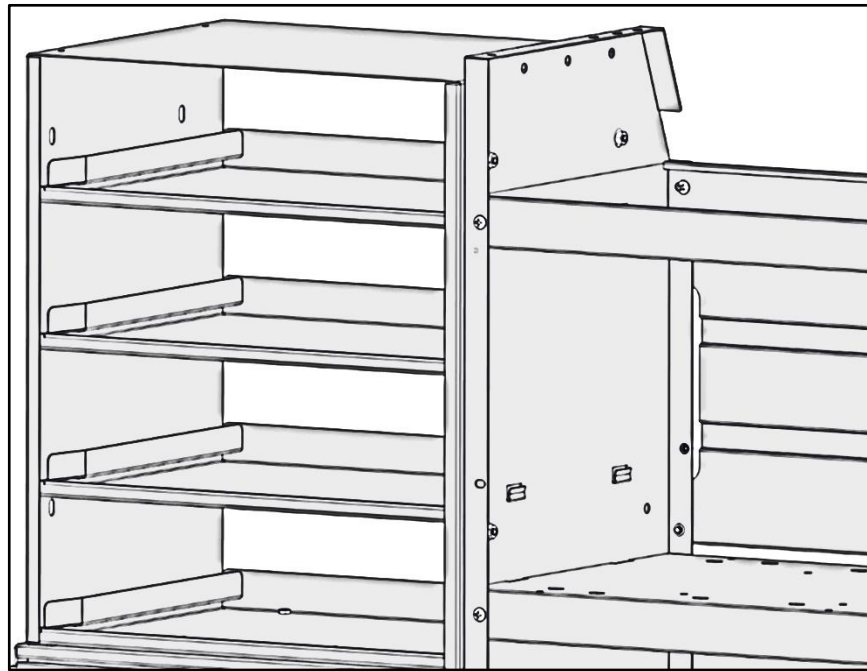
Step 3 –Mount Case Cabinet to Short Locker

- Align the holes in the bottom of the Case Cabinet with the holes in the top of the Short Locker.
*If there are no holes in the top of the short locker, Drill four using a 3/16" drill.
- Bolt through the Short Locker into the nuts in the Case Cabinet.
- TIGHTEN.

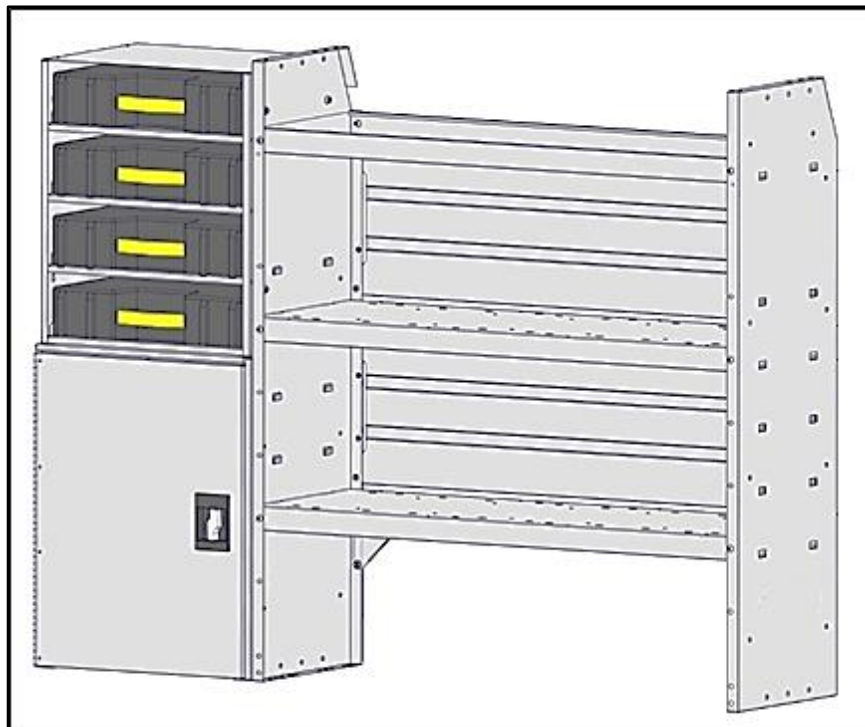


Step 4 – Tighten Hardware

- Go back and TIGHTEN all hardware from step 2.



**GO BACK AND ENSURE ALL HARDWARE IS TIGHT.
Place Cases into Case Cabinet.**



Your installation is now complete.